



BEZ-Line Condensing Units

PRODUCT DATA & SPECIFICATIONS

Bulletin B40-BEZ-PDS-10
Part # 1087395

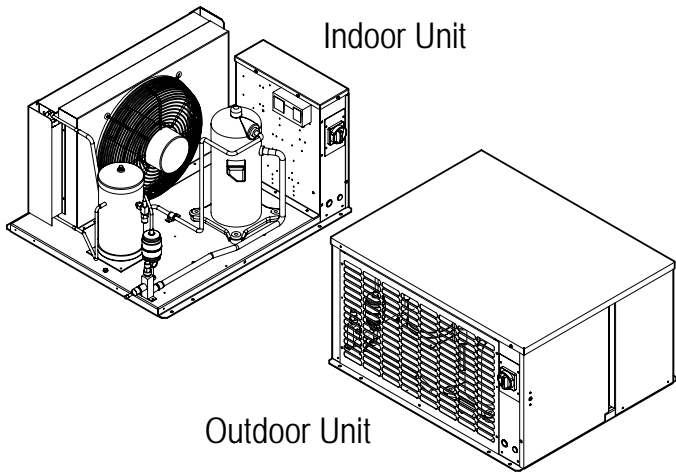
60
Hz

Indoor/Outdoor
Air-Cooled Scroll
Condensing Units
1 to 15 HP -
High, Medium and Low
Temperature Refrigeration

PRODUCT SUPPORT

web: b-rp.ca/bez
email: smcu@b-rp.ca
call: 1-844-893-3222 x521

scan: 

SMARTSPEED™
FAN MOTOR TECHNOLOGY
See Page 4 for details

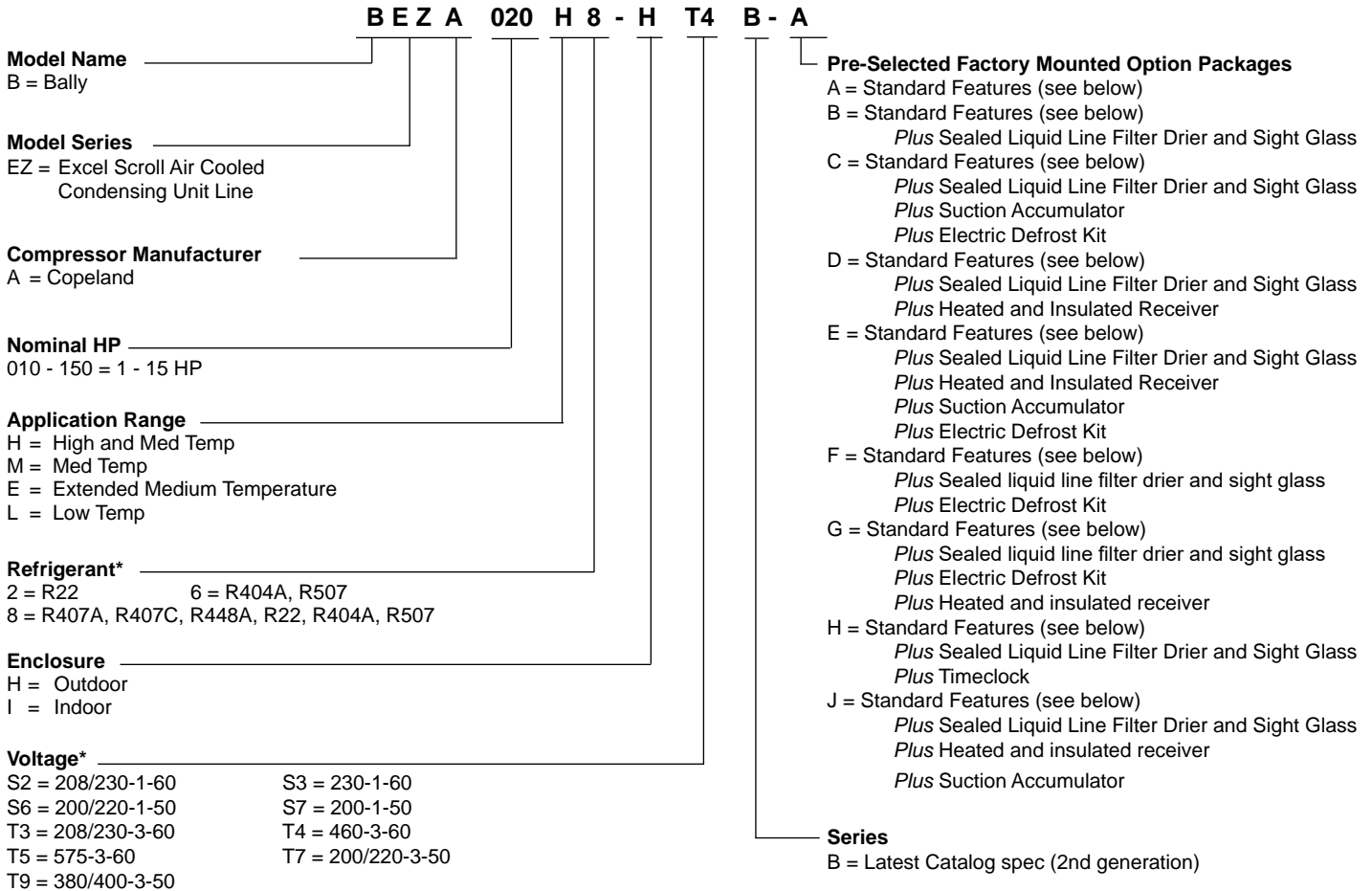
 INCLUDES RATINGS FOR
LOW GWP
REFRIGERANTS

LIMITROL+
FLOATING HEAD PRESSURE CONTROL SYSTEM
See Page 5 for details

CONTENTS

	Page
Nomenclature.....	2
Features and Options.....	2 - 3
SMARTSPEED™ Fan Motor Technology	4
LIMITROL+ Floating Head Pressure Control System.....	5
Capacity Data (Imperial and <i>Metric</i>).....	6 - 24
Electrical Data.....	25 - 28
Dimensional Data.....	29 - 33
Annual Walk-In Energy Factor (AWEF) Ratings.....	33
Specifications.....	34
Wiring Diagrams.....	35 - 39
Wiring Diagrams - Models with SMARTSPEED™	40
Project Information.....	43
Product Support Resources.....	BACK

NOMENCLATURE



* subject to compressor availability

STANDARD FEATURES

Indoor Unit:

- Compatible with Low GWP Refrigerants
- Weatherproof electrical control box with compressor contactor and fused control circuit
- Copeland scroll compressor
- High efficiency enhanced tube and fin condenser design
- Energy efficient PSC condenser fan motor
- Receiver with fusible plug and liquid shut off valve
- Suction service valve
- Pre-formed copper tubing
- Liquid injection (low temp. models)
- Unit leak tested and shipped with helium holding charge
- Fixed high pressure switch and adjustable low pressure control
- Receiver outlet valve on 2-fan units models only
- Discharge thermostat on applicable models only
- Painted cabinet

Outdoor Unit: All Standard Features of Indoor Unit, Plus:

- Outdoor weather-resistant housing with removable hood
- Flooded head pressure control (non adjustable)
- Crankcase heater
- Fan cycling control with flex hose (2 fan units)

Package A:

- Standard Features (see pg. 2)

Package B:

- Standard Features (see pg. 2)
- *Plus* Sealed Liquid Line Filter Drier & Sight Glass

Package C:

- Standard Features (see pg. 2)
- *Plus* Sealed Liquid Line Filter Drier & Sight Glass
- *Plus* Suction Accumulator
- *Plus* Electric Defrost Kit

Package D:

- Standard Features (see pg. 2)
- *Plus* Sealed Liquid Line Filter Drier & Sight Glass
- *Plus* Heated and Insulated Receiver

Package E:

- Standard Features (see pg. 2)
- *Plus* Sealed Liquid Line Filter Drier & Sight Glass
- *Plus* Heated and Insulated Receiver
- *Plus* Suction Accumulator
- *Plus* Electric Defrost Kit

Package F:

- Standard Features (see pg. 2)
- *Plus* Sealed liquid line filter drier and sight glass
- *Plus* Electric Defrost Kit

Package G:

- Standard Features (see pg. 2)
- *Plus* Sealed liquid line filter drier and sight glass
- *Plus* Electric Defrost Kit
- *Plus* Heated and insulated receiver

Package H:

- Standard Features (see pg. 2)
- *Plus* Sealed Liquid Line Filter Drier and Sight Glass
- *Plus* Timeclock

Package J:

- Standard Features (see pg. 2)
- *Plus* Sealed Liquid Line Filter Drier and Sight Glass
- *Plus* Heated and insulated receiver
- *Plus* Suction Accumulator

AVAILABLE OPTIONS

- Suction accumulator with and without boil-out coil
- Discharge line check valve
- Oil separator with and without oil return filter and solenoid valve
- Adjustable flooded head pressure control valves
- Receiver inlet ball valve
- Heated and Insulated receiver
- Over-sized receiver
- Sealed liquid line filter drier & sight-glass
- Ball valve - liquid line (shipped loose)
- Insulated suction lines
- Leg kits
- Discharge air hood
- Sub cooling circuit on 5 - 15 HP models
- Liquid line solenoid valve (with standard 230 volt coil) - shipped loose
- Variable speed EC motors only as head pressure control (see Bulletin B40-HPC-AG for details)
- QuickVac Evacuation and Refrigerant Recovery Valves
- Adjustable low pressure control with flex hose
- Galvanized cabinet
- Compressor circuit breaker
- Current sensing relay - for use with oil safety control (where applicable)
- Defrost heater contactor c/w fuse block
- Evaporator fan contactor c/w fuse block
- Disconnect switch
- Disconnect fusing
- Pump down toggle switch
- Lock out control circuit relay
- Hoffmann speed control for condenser fan (replaces flooded valve)
- Time delay relay for compressor
- Mechanical time clock
- Electronic defrost kit
- Electronic voltage / Phase monitor
- **SmartSpeed Fan Motor Technology (see page 4)**
- **Limitrol+ Floating Head Pressure Control System (see page 5 or Bulletin B40-HPC-AG for details)**

US Patent No.
9,297,567

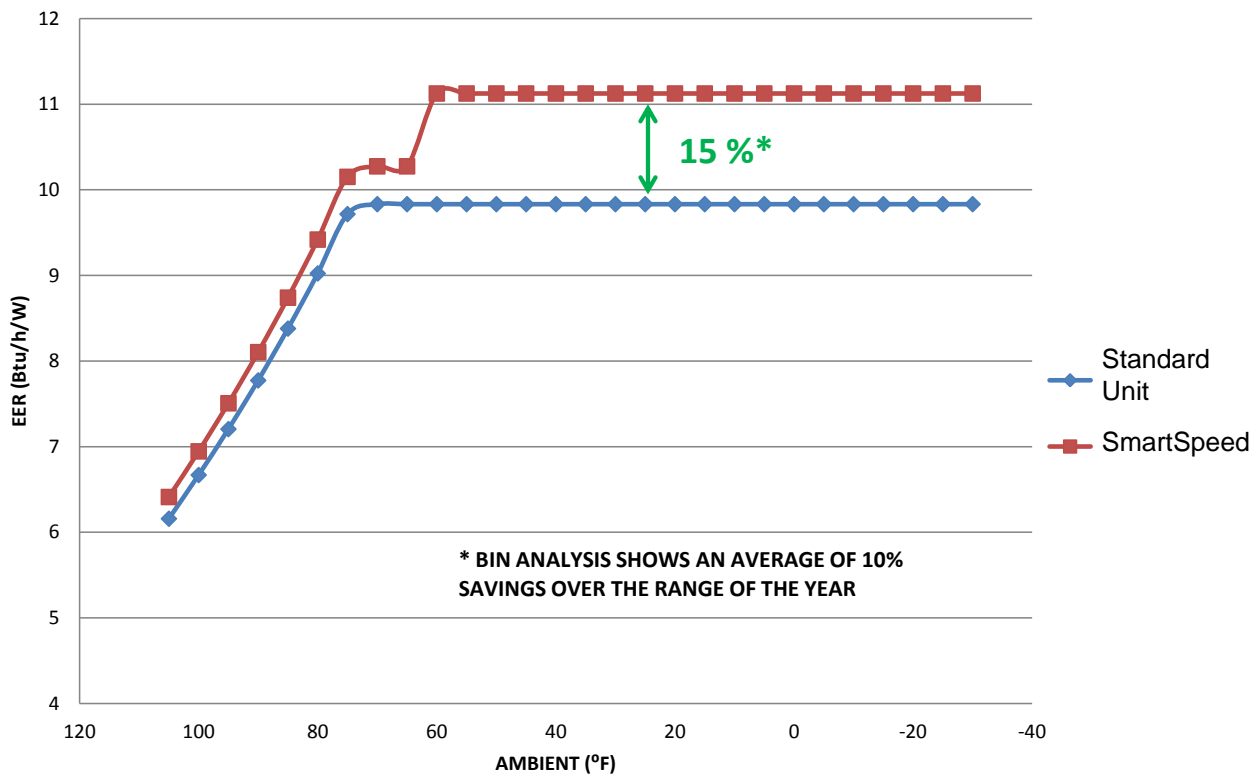
DESIGN FEATURES



• Available on 1/2 - 5 HP
Hermetic, Scroll or Semi-Hermetic Condensing Units

- No special controls required. No worries about wind or cold climates.
- Ambients above 60°F - EC motor operates at full speed, crankcase heater and heated + insulated receiver disabled from control circuit
- Ambients below 60°F - EC motor operates at low speed, crankcase heater and heated + insulated receiver enabled from control circuit

Condensing Unit EER - Standard Unit vs. SmartSpeed



**Refer to
Page 40
For Wiring
Details**

Condensing Unit with SmartSpeed Power Consumption Per Motor		
Chassis Size (see pages 25-28)	Ambients above 60°F. Fan Full Speed. Crackcase and Receiver Heaters Off.	Ambients below 60°F. Fan Low Speed. Crackcase and Receiver Heaters On.
A	102 W	19 W
B	168 W	37 W
C	362 W	76 W

- **Reduces compressor energy consumption and run time**
 - **EC motor technology further saves energy and reduces electrical requirements**
- **Lowered environmental impact through reduced refrigerant use**
 - **Stable system performance in lower ambients**

What is Limitrol+? Limitrol+ combines various technologies into a responsive system that floats head pressure, saving energy and reduces environmental impact. Unlike competitive systems, Limitrol+ combines variable speed EC motor technology, condenser portioning and various systems modifications to provide the ultimate in performance and control. As a result, Limitrol+ functions in much colder ambients where previous systems have proven ineffective.

What does it do? Conventional head pressure control systems maintain a constant head pressure regardless of ambient temperatures. Limitrol+ intelligently responds to ambient conditions to float head pressure without sacrificing system performance at lower temperatures.

What are its applications?

- Condensing units over 5 HP
- Ideally suited and most effective in applications with fluctuating ambients
- Perfect for installations where reduced refrigerant charges are desired or required.

How much can Limitrol+ save you?

MODEL	Philadelphia, PA		New York, NY		Boston, MA		Charlotte, NC		Atlanta, GA		Los Angeles, CA		St Louis, MO		St. Paul, MN		Toronto, ON	
	%	\$	%	\$	%	\$	%	\$	%	\$	%	\$	%	\$	%	\$	%	\$
5 HP Cooler	22	616	23	1,099	25	1,081	18	474	16	521	16	835	20	624	25	798	27	638
7.5 HP Cooler	21	1,008	22	1,805	23	1,707	18	843	17	954	17	1,499	19	1,053	24	1,270	25	1,000
10 HP Cooler	18	1,204	18	2,131	20	2,095	15	975	14	1,089	18	2,446	16	1,227	20	1,529	21	1,223
15 HP Cooler	19	1,852	20	3,300	21	3,170	16	1,567	15	1,767	19	3,570	17	1,916	22	2,337	22	1,834
6 HP Freezer	24	903	25	1,621	26	1,548	21	753	20	848	23	1,548	22	928	26	1,119	27	891
7.5 HP Freezer	21	994	21	1,783	23	1,726	17	800	16	891	18	1,591	19	1,012	23	1,255	24	1,004
13 HP Freezer	19	1,425	19	2,535	21	2,450	16	1,150	15	1,286	15	2,110	17	1,471	21	1,798	22	1,428
15 HP Freezer	18	1,602	19	2,846	20	2,717	16	1,312	15	1,479	14	2,224	17	1,672	20	2,009	21	1,587

* The above is a BIN Hour Analysis. Weather data was used from ASHRAE Weather Data Viewer and electrical rates for each city are based on June 2013 data from EIA (U.S. Energy Information Administration).

** Above numbers do not include refrigerant savings, and further cost savings can be expected.

For more information on Head Pressure Control, please refer to our “Head Pressure Control Application Guide” (Bulletin B40-HPC-AG)

**CAPACITY DATA - R407A
HIGH / MEDIUM TEMPERATURE**

MODEL	SAT. SUCT. TEMP.		CAPACITY BTU/H (WATTS) R407A AMBIENT TEMPERATURE °F (°C)							
	° F	° C	80 (26.6)	85 (29.4)	90 (32.2)	95 (35)	100 (37.8)	105 (40.6)	110 (43.3)	
BEZA010H8 Compressor Model ZS09KAE	40 (4.4)		17300 (5070)	16800 (4920)	16300 (4780)	15600 (4570)	15100 (4430)	14500 (4250)	14000 (4100)	
	35 (1.7)		15800 (4630)	15300 (4480)	14800 (4340)	14300 (4190)	13800 (4040)	13200 (3870)	12700 (3720)	
	30 (-1.1)		14400 (4220)	14000 (4100)	13400 (3930)	13000 (3810)	12500 (3660)	12100 (3550)	11600 (3400)	
	25 (-3.9)		13000 (3810)	12600 (3690)	12200 (3580)	11800 (3460)	11300 (3310)	10900 (3190)	10500 (3080)	
	20 (-6.7)		11900 (3490)	11400 (3340)	11100 (3250)	10700 (3140)	10300 (3020)	9930 (2910)	9530 (2790)	
	15 (-9.4)		10700 (3140)	10400 (3050)	10100 (2960)	9720 (2850)	9380 (2750)	9020 (2640)	8650 (2540)	
	10 (-12.2)		9730 (2850)	9440 (2770)	9120 (2670)	8810 (2580)	8490 (2490)	8170 (2390)	7850 (2300)	
	5 (-15.0)		8790 (2580)	8530 (2500)	8240 (2410)	7970 (2340)	7680 (2250)	7390 (2170)	7100 (2080)	
	0 (-17.8)		7920 (2320)	7690 (2250)	7430 (2180)	7180 (2100)	6920 (2030)	6660 (1950)	6390 (1870)	
BEZA011H8 Compressor Model ZS11KAE	40 (4.4)		20300 (5950)	19600 (5740)	18900 (5540)	18300 (5360)	17600 (5160)	16900 (4950)	16200 (4750)	
	35 (1.7)		18500 (5420)	17900 (5250)	17300 (5070)	16700 (4890)	16100 (4720)	15400 (4510)	14800 (4340)	
	30 (-1.1)		16800 (4920)	16300 (4780)	15800 (4630)	15200 (4450)	14600 (4280)	14100 (4130)	13400 (3930)	
	25 (-3.9)		15300 (4480)	14800 (4340)	14400 (4220)	13900 (4070)	13300 (3900)	12800 (3750)	12300 (3600)	
	20 (-6.7)		14000 (4100)	13500 (3960)	13000 (3810)	12600 (3690)	12100 (3550)	11700 (3430)	11100 (3250)	
	15 (-9.4)		12700 (3720)	12300 (3600)	11900 (3490)	11400 (3340)	11000 (3220)	10600 (3110)	10100 (2960)	
	10 (-12.2)		11400 (3340)	11100 (3250)	10700 (3140)	10400 (3050)	9980 (2920)	9600 (2810)	9210 (2700)	
	5 (-15.0)		10400 (3050)	10000 (2930)	9710 (2850)	9380 (2750)	9030 (2650)	8680 (2540)	8350 (2450)	
	0 (-17.8)		9350 (2740)	9060 (2660)	8770 (2570)	8450 (2480)	8150 (2390)	7840 (2300)	7530 (2210)	
BEZA015H8 Compressor Model ZS13KAE	40 (4.4)		22700 (6650)	21900 (6420)	21200 (6210)	20400 (5980)	19600 (5740)	18900 (5540)	18100 (5300)	
	35 (1.7)		20700 (6070)	20100 (5890)	19300 (5660)	18700 (5480)	18000 (5280)	17200 (5040)	16500 (4840)	
	30 (-1.1)		18900 (5540)	18300 (5360)	17600 (5160)	17000 (4980)	16400 (4810)	15800 (4630)	15000 (4400)	
	25 (-3.9)		17200 (5040)	16700 (4890)	16100 (4720)	15500 (4540)	14900 (4370)	14400 (4220)	13800 (4040)	
	20 (-6.7)		15600 (4570)	15200 (4450)	14700 (4310)	14200 (4160)	13500 (3960)	13000 (3810)	12500 (3660)	
	15 (-9.4)		14300 (4190)	13800 (4040)	13300 (3900)	12800 (3750)	12400 (3630)	11900 (3490)	11300 (3310)	
	10 (-12.2)		12900 (3780)	12500 (3660)	12100 (3550)	11700 (3430)	11200 (3280)	10800 (3170)	10300 (3020)	
	5 (-15.0)		11800 (3460)	11300 (3310)	10900 (3190)	10600 (3110)	10200 (2990)	9770 (2860)	9390 (2750)	
	0 (-17.8)		10600 (3110)	10200 (2990)	9880 (2900)	9530 (2790)	9190 (2690)	8820 (2580)	8470 (2480)	
BEZA020H8 Compressor Model ZB15KCE	40 (4.4)		25900 (7590)	25000 (7330)	24000 (7030)	23100 (6770)	22200 (6510)	21200 (6210)	-	
	35 (1.7)		23600 (6920)	22800 (6680)	21900 (6420)	21100 (6180)	20200 (5920)	19300 (5660)	18400 (5390)	
	30 (-1.1)		21500 (6300)	20800 (6100)	20000 (5860)	19100 (5600)	18400 (5390)	17500 (5130)	16700 (4890)	
	25 (-3.9)		19600 (5740)	18900 (5540)	18200 (5330)	17400 (5100)	16700 (4890)	15900 (4660)	15100 (4430)	
	20 (-6.7)		17700 (5190)	17100 (5010)	16500 (4840)	15800 (4630)	15100 (4430)	14400 (4220)	13700 (4020)	
	15 (-9.4)		16100 (4720)	15500 (4540)	14900 (4370)	14300 (4190)	13700 (4020)	12900 (3780)	12300 (3600)	
	10 (-12.2)		14500 (4250)	14000 (4100)	13400 (3930)	12800 (3750)	12300 (3600)	11700 (3430)	11000 (3220)	
	5 (-15.0)		13000 (3810)	12500 (3660)	12000 (3520)	11400 (3340)	10900 (3190)	10400 (3050)	9850 (2890)	
	0 (-17.8)		11700 (3430)	11100 (3250)	10700 (3140)	10200 (2990)	9690 (2840)	9200 (2700)	8680 (2540)	
BEZA025H8 Compressor Model ZB19KCE	40 (4.4)		31200 (9140)	30100 (8820)	29000 (8500)	27900 (8180)	26800 (7850)	25600 (7500)	24500 (7180)	
	35 (1.7)		28600 (8380)	27600 (8090)	26600 (7800)	25500 (7470)	24500 (7180)	23400 (6860)	22300 (6540)	
	30 (-1.1)		26000 (7620)	25100 (7360)	24300 (7120)	23200 (6800)	22300 (6540)	21300 (6240)	20300 (5950)	
	25 (-3.9)		23600 (6920)	22800 (6680)	21900 (6420)	21100 (6180)	20200 (5920)	19300 (5660)	18400 (5390)	
	20 (-6.7)		21400 (6270)	20700 (6070)	19800 (5800)	19100 (5600)	18300 (5360)	17400 (5100)	16600 (4860)	
	15 (-9.4)		19300 (5660)	18600 (5450)	17900 (5250)	17100 (5010)	16400 (4810)	15600 (4570)	14800 (4340)	
	10 (-12.2)		17300 (5070)	16700 (4890)	16000 (4690)	15300 (4480)	14700 (4310)	14000 (4100)	13200 (3870)	
	5 (-15.0)		15400 (4510)	14800 (4340)	14300 (4190)	13700 (4020)	13000 (3810)	12400 (3630)	11800 (3460)	
	0 (-17.8)		13700 (4020)	13100 (3840)	12600 (3690)	12100 (3550)	11600 (3400)	10900 (3190)	10300 (3020)	

NOTES:

- Above ratings are based on mean temperature.
- To convert to dew point ratings, use 0.95 multiplier.

table continues on next page >>>

CAPACITY DATA - R407A
HIGH / MEDIUM TEMPERATURE (cont'd)

MODEL BEZA	SAT. SUCT. TEMP.		CAPACITY BTU/H (WATTS) R407A AMBIENT TEMPERATURE °F (°C)									
	° F	° C	80 (26.6)	85 (29.4)	90 (32.2)	95 (35)	100 (37.8)	105 (40.6)	110 (43.3)			
BEZA030H8 Compressor Model ZB21KCE	40 (4.4)		40800 (11960)	39600 (11610)	38200 (11200)	36800 (10780)	35400 (10370)	33900 (9940)	32300 (9470)			
	35 (1.7)		37300 (10930)	36100 (10580)	34900 (10230)	33500 (9820)	32200 (9440)	30900 (9060)	29500 (8650)			
	30 (-1.1)		33900 (9940)	32900 (9640)	31700 (9290)	30500 (8940)	29300 (8590)	28000 (8210)	26800 (7850)			
	25 (-3.9)		30800 (9030)	29700 (8700)	28700 (8410)	27600 (8090)	26500 (7770)	25300 (7410)	24200 (7090)			
	20 (-6.7)		27800 (8150)	26900 (7880)	25800 (7560)	24900 (7300)	23800 (6980)	22800 (6680)	21700 (6360)			
	15 (-9.4)		25000 (7330)	24200 (7090)	23200 (6800)	22400 (6560)	21400 (6270)	20500 (6010)	19400 (5690)			
	10 (-12.2)		22400 (6560)	21600 (6330)	20800 (6100)	20000 (5860)	19100 (5600)	18200 (5330)	17300 (5070)			
	5 (-15.0)		20000 (5860)	19200 (5630)	18500 (5420)	17700 (5190)	16900 (4950)	16200 (4750)	15300 (4480)			
0 (-17.8)		17600 (5160)	17000 (4980)	16400 (4810)	15600 (4570)	14900 (4370)	14200 (4160)	13400 (3930)				
BEZA035H8 Compressor Model ZB26KCE	40 (4.4)		45200 (13250)	43600 (12780)	42000 (12310)	40400 (11840)	38900 (11400)	37300 (10930)	35600 (10430)			
	35 (1.7)		41200 (12070)	39700 (11630)	38200 (11200)	36800 (10780)	35300 (10350)	33800 (9910)	32300 (9470)			
	30 (-1.1)		37400 (10960)	36100 (10580)	34800 (10200)	33400 (9790)	32000 (9380)	30700 (9000)	29300 (8590)			
	25 (-3.9)		33900 (9940)	32800 (9610)	31500 (9230)	30300 (8880)	29100 (8530)	27800 (8150)	26500 (7770)			
	20 (-6.7)		30800 (9030)	29600 (8670)	28600 (8380)	27400 (8030)	26300 (7710)	25100 (7360)	23900 (7000)			
	15 (-9.4)		27800 (8150)	26800 (7850)	25700 (7530)	24800 (7270)	23600 (6920)	22600 (6620)	21500 (6300)			
	10 (-12.2)		25000 (7330)	24200 (7090)	23200 (6800)	22300 (6540)	21200 (6210)	20300 (5950)	19300 (5660)			
	5 (-15.0)		22500 (6590)	21600 (6330)	20800 (6100)	19800 (5800)	19000 (5570)	18100 (5300)	17200 (5040)			
0 (-17.8)		20000 (5860)	19200 (5630)	18400 (5390)	17600 (5160)	16800 (4920)	16000 (4690)	15100 (4430)				
BEZA040H8 Compressor Model ZB30KCE	40 (4.4)		54100 (15860)	52300 (15330)	50400 (14770)	48400 (14180)	46400 (13600)	44300 (12980)	-	-		
	35 (1.7)		49700 (14570)	48000 (14070)	46200 (13540)	44400 (13010)	42500 (12460)	40600 (11900)	38600 (11310)			
	30 (-1.1)		45400 (13310)	43900 (12870)	42200 (12370)	40500 (11870)	38900 (11400)	37100 (10870)	35300 (10350)			
	25 (-3.9)		41300 (12100)	39900 (11690)	38400 (11250)	36900 (10810)	35300 (10350)	33700 (9880)	32000 (9380)			
	20 (-6.7)		37400 (10960)	36100 (10580)	34800 (10200)	33400 (9790)	31900 (9350)	30500 (8940)	29000 (8500)			
	15 (-9.4)		33700 (9880)	32600 (9550)	31300 (9170)	30000 (8790)	28700 (8410)	27400 (8030)	26000 (7620)			
	10 (-12.2)		30200 (8850)	29200 (8560)	28000 (8210)	26900 (7880)	25700 (7530)	24500 (7180)	23300 (6830)			
	5 (-15.0)		27100 (7940)	26000 (7620)	25000 (7330)	23900 (7000)	22900 (6710)	21800 (6390)	20800 (6100)			
0 (-17.8)		24000 (7030)	23100 (6770)	22200 (6510)	21200 (6210)	20300 (5950)	19300 (5660)	18500 (5420)				
BEZA050H8 Compressor Model ZB38KCE	45 (7.2)		66900 (19610)	64600 (18930)	62300 (18260)	59900 (17550)	57400 (16820)	54800 (16060)	52200 (15300)			
	35 (1.7)		61300 (17970)	59300 (17380)	57100 (16730)	54900 (16090)	52600 (15420)	50300 (14740)	47900 (14040)			
	30 (-1.1)		56100 (16440)	54200 (15880)	52200 (15300)	50100 (14680)	48000 (14070)	45900 (13450)	43700 (12810)			
	25 (-3.9)		51000 (14950)	49200 (14420)	47500 (13920)	45600 (13360)	43600 (12780)	41600 (12190)	39600 (11610)			
	20 (-6.7)		46200 (13540)	44500 (13040)	42900 (12570)	41200 (12070)	39400 (11550)	37600 (11020)	35800 (10490)			
	15 (-9.4)		41600 (12190)	40100 (11750)	38600 (11310)	37100 (10870)	35500 (10400)	33800 (9910)	32100 (9410)			
	10 (-12.2)		37300 (10930)	36000 (10550)	34500 (10110)	33200 (9730)	31700 (9290)	30200 (8850)	28800 (8440)			
	5 (-15.0)		33300 (9760)	32000 (9380)	30800 (9030)	29500 (8650)	28200 (8260)	26900 (7880)	25600 (7500)			
0 (-17.8)		29600 (8670)	28500 (8350)	27300 (8000)	26100 (7650)	25000 (7330)	23800 (6980)	22800 (6680)				
BEZA060H8 Compressor Model ZB45KCE	40 (4.4)		79000 (23150)	76300 (22360)	73700 (21600)	71000 (20810)	68100 (19960)	65200 (19110)	62200 (18230)			
	35 (1.7)		72200 (21160)	69900 (20490)	67400 (19750)	64900 (19020)	62300 (18260)	59600 (17470)	56800 (16650)			
	30 (-1.1)		65900 (19310)	63700 (18670)	61400 (17990)	59100 (17320)	56700 (16620)	54300 (15910)	51800 (15180)			
	25 (-3.9)		59900 (17550)	57900 (16970)	55800 (16350)	53700 (15740)	51500 (15090)	49100 (14390)	46800 (13720)			
	20 (-6.7)		54100 (15860)	52200 (15300)	50300 (14740)	48400 (14180)	46300 (13570)	44300 (12980)	42200 (12370)			
	15 (-9.4)		48600 (14240)	46900 (13740)	45300 (13280)	43400 (12720)	41600 (12190)	39700 (11630)	37800 (11080)			
	10 (-12.2)		43600 (12780)	42000 (12310)	40400 (11840)	38700 (11340)	37100 (10870)	35400 (10370)	33700 (9880)			
	5 (-15.0)		38900 (11400)	37400 (10960)	35900 (10520)	34400 (10080)	33000 (9670)	31500 (9230)	29900 (8760)			
0 (-17.8)		34400 (10080)	33200 (9730)	31800 (9320)	30500 (8940)	29100 (8530)	27800 (8150)	26500 (7770)				

NOTES:

- Above ratings are based on mean temperature.
- To convert to dew point ratings, use 0.95 multiplier.

table continues on next page >>>

CAPACITY DATA - **R407A** HIGH / MEDIUM TEMPERATURE (cont'd)

MODEL	SAT. SUCT. TEMP.		CAPACITY BTU/H (WATTS) R407A AMBIENT TEMPERATURE °F (°C)							
	° F	° C	80 (26.6)	85 (29.4)	90 (32.2)	95 (35)	100 (37.8)	105 (40.6)	110 (43.3)	
BEZA061H8 Compressor Model ZB48KCE	40 (4.4)		87600 (25670)	84600 (24790)	81600 (23910)	78400 (22980)	75300 (22070)	71900 (21070)	68600 (20100)	
	35 (1.7)		80300 (23530)	77600 (22740)	74900 (21950)	71900 (21070)	69000 (20220)	65800 (19280)	62800 (18400)	
	30 (-1.1)		73400 (21510)	70900 (20780)	68300 (20020)	65600 (19230)	62900 (18430)	60100 (17610)	57200 (16760)	
	25 (-3.9)		66700 (19550)	64400 (18870)	62100 (18200)	59500 (17440)	57000 (16700)	54500 (15970)	51900 (15210)	
	20 (-6.7)		60300 (17670)	58200 (17060)	56100 (16440)	53800 (15770)	51600 (15120)	49100 (14390)	46800 (13720)	
	15 (-9.4)		54300 (15910)	52400 (15360)	50400 (14770)	48300 (14160)	46300 (13570)	44100 (12920)	42000 (12310)	
	10 (-12.2)		48600 (14240)	46900 (13740)	45000 (13190)	43300 (12690)	41400 (12130)	39400 (11550)	37500 (10990)	
	5 (-15.0)		43400 (12720)	41800 (12250)	40100 (11750)	38400 (11250)	36800 (10780)	35100 (10290)	33400 (9790)	
	0 (-17.8)		38500 (11280)	37100 (10870)	35600 (10430)	34000 (9960)	32600 (9550)	31000 (9090)	29500 (8650)	
BEZA070H8 Compressor Model ZB58K5E	40 (4.4)		95300 (27930)	92000 (26960)	88500 (25940)	84900 (24880)	81300 (23830)	77500 (22710)	-	
	35 (1.7)		87200 (25560)	84200 (24680)	81200 (23800)	78000 (22860)	74800 (21920)	71300 (20900)	-	
	30 (-1.1)		79600 (23330)	77000 (22570)	74200 (21750)	71500 (20950)	68500 (20080)	65400 (19170)	62200 (18230)	
	25 (-3.9)		72600 (21280)	70200 (20570)	67800 (19870)	65300 (19140)	62600 (18350)	59700 (17500)	56800 (16650)	
	20 (-6.7)		65900 (19310)	63900 (18730)	61700 (18080)	59400 (17410)	56900 (16680)	54300 (15910)	51500 (15090)	
	15 (-9.4)		59900 (17550)	58000 (17000)	56000 (16410)	53800 (15770)	51500 (15090)	48800 (14300)	46100 (13510)	
	10 (-12.2)		54100 (15860)	52300 (15330)	50400 (14770)	48200 (14130)	45900 (13450)	43400 (12720)	40600 (11900)	
	5 (-15.0)		48500 (14210)	46800 (13720)	44800 (13130)	42700 (12510)	40400 (11840)	37800 (11080)	35100 (10290)	
	0 (-17.8)		43200 (12660)	41400 (12130)	39400 (11550)	37200 (10900)	34700 (10170)	32000 (9380)	29100 (8530)	
BEZA076H8 Compressor Model ZB66K5E	40 (4.4)		113500 (33260)	109800 (32180)	106100 (31090)	102100 (29920)	98000 (28720)	93700 (27460)	89400 (26200)	
	40 (4.4)		104300 (30570)	100800 (29540)	97200 (28490)	93500 (27400)	89700 (26290)	85700 (25120)	81700 (23940)	
	35 (1.7)		95200 (27900)	92000 (26960)	88700 (26000)	85300 (25000)	81700 (23940)	78000 (22860)	74300 (21780)	
	30 (-1.1)		86500 (25350)	83600 (24500)	80400 (23560)	77300 (22650)	74000 (21690)	70700 (20720)	67300 (19720)	
	25 (-3.9)		78200 (22920)	75400 (22100)	72600 (21280)	69600 (20400)	66700 (19550)	63600 (18640)	60600 (17760)	
	20 (-6.7)		70200 (20570)	67700 (19840)	65100 (19080)	62400 (18290)	59700 (17500)	57000 (16700)	54400 (15940)	
	15 (-9.4)		62700 (18380)	60400 (17700)	58000 (17000)	55700 (16320)	53200 (15590)	50900 (14920)	48600 (14240)	
	10 (-12.2)		55700 (16320)	53600 (15710)	51500 (15090)	49400 (14480)	47300 (13860)	45300 (13280)	43300 (12690)	
	5 (-15.0)		49000 (14360)	47100 (13800)	45400 (13310)	43500 (12750)	41800 (12250)	40100 (11750)	38600 (11310)	
0 (-17.8)		49000 (14360)	47100 (13800)	45400 (13310)	43500 (12750)	41800 (12250)	40100 (11750)	38600 (11310)		
BEZA085H8 Compressor Model ZB76K5E	40 (4.4)		129700 (38010)	125100 (36660)	120300 (35260)	115600 (33880)	110900 (32500)	106100 (31090)	101200 (29660)	
	35 (1.7)		118300 (34670)	114300 (33500)	110300 (32330)	106100 (31090)	101900 (29860)	97700 (28630)	93300 (27340)	
	30 (-1.1)		107800 (31590)	104400 (30600)	100800 (29540)	97100 (28460)	93500 (27400)	89800 (26320)	86000 (25200)	
	25 (-3.9)		98200 (28780)	95100 (27870)	92000 (26960)	88800 (26020)	85600 (25090)	82300 (24120)	79000 (23150)	
	20 (-6.7)		89100 (26110)	86500 (25350)	83800 (24560)	81000 (23740)	78100 (22890)	75200 (22040)	72200 (21160)	
	15 (-9.4)		80700 (23650)	78400 (22980)	76000 (22270)	73500 (21540)	71000 (20810)	68400 (20050)	65600 (19230)	
	10 (-12.2)		73000 (21390)	70900 (20780)	68700 (20130)	66400 (19460)	64100 (18790)	61600 (18050)	59100 (17320)	
	5 (-15.0)		65600 (19230)	63600 (18640)	61500 (18020)	59400 (17410)	57100 (16730)	54800 (16060)	52400 (15360)	
	0 (-17.8)		58700 (17200)	56700 (16620)	54600 (16000)	52400 (15360)	50200 (14710)	47900 (14040)	45500 (13330)	
110H8 Compressor Model ZB95K5E	40 (4.4)		166100 (48680)	161000 (47180)	155500 (45570)	149800 (43900)	143900 (42170)	137600 (40330)	131100 (38420)	
	35 (1.7)		152500 (44690)	147600 (43260)	142500 (41760)	137100 (40180)	131500 (38540)	125700 (36840)	119700 (35080)	
	30 (-1.1)		139200 (40800)	134700 (39480)	129900 (38070)	124800 (36580)	119600 (35050)	114200 (33470)	108600 (31830)	
	25 (-3.9)		126500 (37070)	122200 (35810)	117700 (34490)	113100 (33150)	108200 (31710)	103100 (30220)	98100 (28750)	
	20 (-6.7)		114200 (33470)	110300 (32330)	106100 (31090)	101700 (29810)	97200 (28490)	92600 (27140)	88000 (25790)	
	15 (-9.4)		102600 (30070)	98800 (28960)	95000 (27840)	90900 (26640)	86800 (25440)	82600 (24210)	78400 (22980)	
	10 (-12.2)		91500 (26820)	88000 (25790)	84400 (24740)	80900 (23710)	77100 (22600)	73300 (21480)	69600 (20400)	
	5 (-15.0)		81000 (23740)	77800 (22800)	74600 (21860)	71300 (20900)	67900 (19900)	64700 (18960)	61400 (17990)	
	0 (-17.8)		71200 (20870)	68400 (20050)	65400 (19170)	62500 (18320)	59500 (17440)	56700 (16620)	54000 (15830)	
BEZA150H8 Compressor Model ZB114K5E	40 (4.4)		193400 (56680)	187100 (54830)	180600 (52930)	173700 (50910)	166600 (48830)	159300 (46690)	151700 (44460)	
	35 (1.7)		177800 (52110)	171800 (50350)	165600 (48530)	159200 (46660)	152500 (44690)	145500 (42640)	138500 (40590)	
	30 (-1.1)		162400 (47590)	156900 (45980)	151100 (44280)	145000 (42500)	138700 (40650)	132300 (38770)	125700 (36840)	
	25 (-3.9)		147600 (43260)	142400 (41730)	136900 (40120)	131300 (38480)	125500 (36780)	119500 (35020)	113400 (33230)	
	20 (-6.7)		133400 (39100)	128500 (37660)	123400 (36160)	118100 (34610)	112800 (33060)	107300 (31450)	101700 (29810)	
	15 (-9.4)		119700 (35080)	115200 (33760)	110500 (32380)	105600 (30950)	100700 (29510)	95800 (28080)	90800 (26610)	
	10 (-12.2)		106700 (31270)	102500 (30040)	98200 (28780)	93900 (27520)	89400 (26200)	84900 (24880)	80600 (23620)	
	5 (-15.0)		94500 (27700)	90700 (26580)	86700 (25410)	82800 (24270)	79000 (23150)	75100 (22010)	71300 (20900)	
	0 (-17.8)		83200 (24380)	79700 (23360)	76200 (22330)	72800 (21340)	69400 (20340)	66200 (19400)	63000 (18460)	

NOTES:

- Above ratings are based on mean temperature.
- To convert to dew point ratings, use 0.95 multiplier.

MODEL BEZA	SATURATED SUCTION TEMPERATURE		CAPACITY BTU/H (WATTS) R407A AMBIENT TEMPERATURE °F (°C)										
	°F	°C	80 (26.6)	85 (29.4)	90 (32.2)	95 (35)	100 (37.8)	105 (40.6)	110 (43.3)				
	BEZA020L8 Compressor Model ZF06K4E	0 (-17.8)	12000 (3520)	11700 (3430)	11300 (3310)	10900 (3190)	10500 (3080)	10100 (2960)	9630 (2820)				
-5 (-20.6)		10800 (3170)	10500 (3080)	10100 (2960)	9800 (2870)	9440 (2770)	9060 (2660)	8660 (2540)					
-10 (-23.3)		9650 (2830)	9380 (2750)	9070 (2660)	8780 (2570)	8440 (2470)	8120 (2380)	7760 (2270)					
-15 (-26.1)		8570 (2510)	8340 (2440)	8070 (2370)	7800 (2290)	7520 (2200)	7230 (2120)	6920 (2030)					
-20 (-28.9)		7570 (2220)	7360 (2160)	7140 (2090)	6910 (2030)	6660 (1950)	6410 (1880)	6130 (1800)					
-25 (-31.7)		6670 (1950)	6480 (1900)	6290 (1840)	6090 (1780)	5870 (1720)	5640 (1650)	5410 (1590)					
-30 (-34.4)		5830 (1710)	5680 (1660)	5500 (1610)	5320 (1560)	5120 (1500)	4920 (1440)	4710 (1380)					
-35 (-37.2)		5080 (1490)	4940 (1450)	4800 (1410)	4630 (1360)	4460 (1310)	4280 (1250)	4110 (1200)					
-40 (-40.0)	4410 (1290)	4280 (1250)	4150 (1220)	4000 (1170)	3860 (1130)	3710 (1090)	3540 (1040)						
BEZA025L8 Compressor Model ZF08K4E	0 (-17.8)	14800 (4340)	14400 (4220)	14000 (4100)	13400 (3930)	12900 (3780)	12500 (3660)	11900 (3490)					
	-5 (-20.6)	13300 (3900)	12900 (3780)	12500 (3660)	12100 (3550)	11700 (3430)	11200 (3280)	10700 (3140)					
	-10 (-23.3)	11900 (3490)	11600 (3400)	11200 (3280)	10800 (3170)	10400 (3050)	10000 (2930)	9610 (2820)					
	-15 (-26.1)	10600 (3110)	10300 (3020)	9980 (2920)	9650 (2830)	9290 (2720)	8940 (2620)	8560 (2510)					
	-20 (-28.9)	9360 (2740)	9100 (2670)	8830 (2590)	8540 (2500)	8230 (2410)	7910 (2320)	7570 (2220)					
	-25 (-31.7)	8230 (2410)	8000 (2340)	7770 (2280)	7520 (2200)	7250 (2120)	6970 (2040)	6670 (1950)					
	-30 (-34.4)	7210 (2110)	7010 (2050)	6800 (1990)	6570 (1930)	6340 (1860)	6100 (1790)	5830 (1710)					
	-35 (-37.2)	6270 (1840)	6110 (1790)	5920 (1730)	5720 (1680)	5510 (1610)	5290 (1550)	5070 (1490)					
-40 (-40.0)	5450 (1600)	5290 (1550)	5120 (1500)	4950 (1450)	4770 (1400)	4580 (1340)	4380 (1280)						
BEZA030L8 Compressor Model ZF09K4E	0 (-17.8)	16300 (4780)	15800 (4630)	15200 (4450)	14700 (4310)	14300 (4190)	13800 (4040)	13200 (3870)					
	-5 (-20.6)	14800 (4340)	14400 (4220)	13900 (4070)	13400 (3930)	13000 (3810)	12600 (3690)	12100 (3550)					
	-10 (-23.3)	13300 (3900)	12900 (3780)	12500 (3660)	12200 (3580)	11800 (3460)	11300 (3310)	10900 (3190)					
	-15 (-26.1)	11900 (3490)	11400 (3340)	11100 (3250)	10800 (3170)	10500 (3080)	10100 (2960)	9790 (2870)					
	-20 (-28.9)	10400 (3050)	10100 (2960)	9830 (2880)	9520 (2790)	9230 (2710)	8940 (2620)	8640 (2530)					
	-25 (-31.7)	9120 (2670)	8860 (2600)	8600 (2520)	8340 (2440)	8070 (2370)	7810 (2290)	7560 (2220)					
	-30 (-34.4)	7980 (2340)	7740 (2270)	7510 (2200)	7270 (2130)	7040 (2060)	6800 (1990)	6580 (1930)					
	-35 (-37.2)	7040 (2060)	6810 (2000)	6590 (1930)	6370 (1870)	6150 (1800)	5950 (1740)	5740 (1680)					
-40 (-40.0)	6330 (1860)	6110 (1790)	5900 (1730)	5690 (1670)	5480 (1610)	5280 (1550)	5090 (1490)						
BEZA035L8 Compressor Model ZF11K4E	0 (-17.8)	19800 (5800)	19200 (5630)	18600 (5450)	18000 (5280)	17200 (5040)	16600 (4860)	15900 (4660)					
	-5 (-20.6)	18100 (5300)	17500 (5130)	16900 (4950)	16400 (4810)	15800 (4630)	15200 (4450)	14600 (4280)					
	-10 (-23.3)	16300 (4780)	15800 (4630)	15300 (4480)	14800 (4340)	14300 (4190)	13800 (4040)	13200 (3870)					
	-15 (-26.1)	14500 (4250)	14100 (4130)	13700 (4020)	13100 (3840)	12700 (3720)	12300 (3600)	11900 (3490)					
	-20 (-28.9)	12700 (3720)	12400 (3630)	12000 (3520)	11700 (3430)	11200 (3280)	10800 (3170)	10500 (3080)					
	-25 (-31.7)	11100 (3250)	10800 (3170)	10500 (3080)	10200 (2990)	9840 (2880)	9500 (2780)	9180 (2690)					
	-30 (-34.4)	9750 (2860)	9460 (2770)	9170 (2690)	8860 (2600)	8570 (2510)	8280 (2430)	7990 (2340)					
	-35 (-37.2)	8590 (2520)	8320 (2440)	8050 (2360)	7770 (2280)	7510 (2200)	7260 (2130)	7000 (2050)					
-40 (-40.0)	7720 (2260)	7470 (2190)	7210 (2110)	6960 (2040)	6700 (1960)	6470 (1900)	6240 (1830)						
BEZA045L8 Compressor Model ZF13K4E	0 (-17.8)	24000 (7030)	23300 (6830)	22600 (6620)	21800 (6390)	21100 (6180)	20300 (5950)	19400 (5690)					
	-5 (-20.6)	21500 (6300)	20900 (6130)	20300 (5950)	19500 (5710)	18800 (5510)	18100 (5300)	17300 (5070)					
	-10 (-23.3)	19200 (5630)	18600 (5450)	18000 (5280)	17300 (5070)	16700 (4890)	16000 (4690)	15200 (4450)					
	-15 (-26.1)	17000 (4980)	16500 (4840)	15900 (4660)	15300 (4480)	14700 (4310)	14100 (4130)	13300 (3900)					
	-20 (-28.9)	15000 (4400)	14500 (4250)	14000 (4100)	13400 (3930)	12900 (3780)	12300 (3600)	11700 (3430)					
	-25 (-31.7)	13100 (3840)	12700 (3720)	12200 (3580)	11800 (3460)	11200 (3280)	10700 (3140)	10200 (2990)					
	-30 (-34.4)	11400 (3340)	11100 (3250)	10700 (3140)	10300 (3020)	9890 (2900)	9460 (2770)	9010 (2640)					
	-35 (-37.2)	10100 (2960)	9750 (2860)	9440 (2770)	9110 (2670)	8790 (2580)	8440 (2470)	8070 (2370)					
-40 (-40.0)	8960 (2630)	8720 (2560)	8460 (2480)	8230 (2410)	7980 (2340)	7730 (2270)	7440 (2180)						
BEZA055L8 Compressor Model ZF15K4E	0 (-17.8)	29600 (8670)	28700 (8410)	27800 (8150)	27000 (7910)	26000 (7620)	25100 (7360)	24000 (7030)					
	-5 (-20.6)	26500 (7770)	25700 (7530)	24900 (7300)	24000 (7030)	23200 (6800)	22400 (6560)	21400 (6270)					
	-10 (-23.3)	23600 (6920)	22900 (6710)	22200 (6510)	21400 (6270)	20600 (6040)	19800 (5800)	18900 (5540)					
	-15 (-26.1)	20900 (6130)	20300 (5950)	19600 (5740)	18900 (5540)	18200 (5330)	17400 (5100)	16700 (4890)					
	-20 (-28.9)	18500 (5420)	17900 (5250)	17300 (5070)	16700 (4890)	16100 (4720)	15300 (4480)	14600 (4280)					
	-25 (-31.7)	16300 (4780)	15800 (4630)	15200 (4450)	14700 (4310)	14100 (4130)	13400 (3930)	12800 (3750)					
	-30 (-34.4)	14400 (4220)	13900 (4070)	13400 (3930)	12900 (3780)	12500 (3660)	11900 (3490)	11300 (3310)					
	-35 (-37.2)	12700 (3720)	12400 (3630)	12000 (3520)	11600 (3400)	11100 (3250)	10600 (3110)	10100 (2960)					
-40 (-40.0)	11400 (3340)	11100 (3250)	10800 (3170)	10500 (3080)	10100 (2960)	9670 (2830)	9200 (2700)						
BEZA060L8 Compressor Model ZF18K4E	0 (-17.8)	34900 (10230)	33800 (9910)	32900 (9640)	31800 (9320)	30800 (9030)	29700 (8700)	28600 (8380)					
	-5 (-20.6)	31300 (9170)	30300 (8880)	29500 (8650)	28600 (8380)	27600 (8090)	26600 (7800)	25600 (7500)					
	-10 (-23.3)	27900 (8180)	27100 (7940)	26300 (7710)	25400 (7440)	24600 (7210)	23600 (6920)	22800 (6680)					
	-15 (-26.1)	24800 (7270)	24000 (7030)	23300 (6830)	22600 (6620)	21700 (6360)	21000 (6150)	20100 (5890)					
	-20 (-28.9)	21900 (6420)	21300 (6240)	20600 (6040)	20000 (5860)	19200 (5630)	18500 (5420)	17700 (5190)					
	-25 (-31.7)	19300 (5660)	18800 (5510)	18200 (5330)	17500 (5130)	16900 (4950)	16300 (4780)	15500 (4540)					
	-30 (-34.4)	17000 (4980)	16600 (4860)	16100 (4720)	15500 (4540)	14900 (4370)	14400 (4220)	13800 (4040)					
	-35 (-37.2)	15100 (4430)	14700 (4310)	14300 (4190)	13800 (4040)	13300 (3900)	12800 (3750)	12200 (3580)					
-40 (-40.0)	13500 (3960)	13200 (3870)	12800 (3750)	12400 (3630)	12100 (3550)	11600 (3400)	11100 (3250)						

NOTES:

- Above ratings are based on mean temperature.
- To convert to dew point ratings, use 0.95 multiplier.

table continues on next page >>>

**CAPACITY DATA - R407A
LOW TEMPERATURE (cont'd)**

MODEL BEZA	SATURATED SUCTION TEMPERATURE		CAPACITY BTU/H (WATTS) R407A AMBIENT TEMPERATURE °F (°C)							
	° F	° C	80 (26.6)	85 (29.4)	90 (32.2)	95 (35)	100 (37.8)	105 (40.6)	110 (43.3)	
BEZA075L8 Compressor Model ZF25K4E	0 (-17.8)		42800 (12540)	41600 (12190)	40300 (11810)	39100 (11460)	37800 (11080)	36500 (10700)	35200 (10320)	
	-5 (-20.6)		38400 (11250)	37300 (10930)	36200 (10610)	35100 (10290)	33900 (9940)	32800 (9610)	31500 (9230)	
	-10 (-23.3)		34300 (10050)	33300 (9760)	32200 (9440)	31300 (9170)	30200 (8850)	29100 (8530)	28000 (8210)	
	-15 (-26.1)		30500 (8940)	29500 (8650)	28700 (8410)	27700 (8120)	26800 (7850)	25700 (7530)	24800 (7270)	
	-20 (-28.9)		26900 (7880)	26000 (7620)	25300 (7410)	24500 (7180)	23600 (6920)	22700 (6650)	21700 (6360)	
	-25 (-31.7)		23700 (6950)	23000 (6740)	22300 (6540)	21500 (6300)	20800 (6100)	20000 (5860)	19100 (5600)	
	-30 (-34.4)		20900 (6130)	20300 (5950)	19600 (5740)	19000 (5570)	18400 (5390)	17600 (5160)	16900 (4950)	
	-35 (-37.2)		18500 (5420)	18000 (5280)	17400 (5100)	16900 (4950)	16300 (4780)	15600 (4570)	15000 (4400)	
-40 (-40.0)		16600 (4860)	16200 (4750)	15600 (4570)	15200 (4450)	14700 (4310)	14200 (4160)	13700 (4020)		
BEZA100L8 Compressor Model ZF34K5E	0 (-17.8)		58100 (17030)	56400 (16530)	54600 (16000)	52700 (15440)	50800 (14890)	48800 (14300)	46700 (13690)	
	-5 (-20.6)		52200 (15300)	50600 (14830)	49000 (14360)	47400 (13890)	45600 (13360)	43700 (12810)	41800 (12250)	
	-10 (-23.3)		46600 (13660)	45300 (13280)	43700 (12810)	42200 (12370)	40500 (11870)	38900 (11400)	37100 (10870)	
	-15 (-26.1)		41400 (12130)	40100 (11750)	38700 (11340)	37400 (10960)	35900 (10520)	34300 (10050)	32700 (9580)	
	-20 (-28.9)		36500 (10700)	35400 (10370)	34200 (10020)	33000 (9670)	31600 (9260)	30100 (8820)	28700 (8410)	
	-25 (-31.7)		32200 (9440)	31200 (9140)	30000 (8790)	29000 (8500)	27700 (8120)	26500 (7770)	25100 (7360)	
	-30 (-34.4)		28400 (8320)	27400 (8030)	26500 (7770)	25400 (7440)	24400 (7150)	23200 (6800)	21900 (6420)	
	-35 (-37.2)		25000 (7330)	24300 (7120)	23400 (6860)	22500 (6590)	21500 (6300)	20500 (6010)	19300 (5660)	
-40 (-40.0)		22400 (6560)	21600 (6330)	20900 (6130)	20200 (5920)	19300 (5660)	18400 (5390)	17300 (5070)		
BEZA130L8 Compressor Model ZF41K5E	0 (-17.8)		71300 (20900)	69300 (20310)	67200 (19690)	65100 (19080)	63000 (18460)	60700 (17790)	58400 (17120)	
	-5 (-20.6)		64200 (18820)	62300 (18260)	60400 (17700)	58500 (17140)	56500 (16560)	54400 (15940)	52300 (15330)	
	-10 (-23.3)		57300 (16790)	55700 (16320)	54000 (15830)	52200 (15300)	50400 (14770)	48500 (14210)	46400 (13600)	
	-15 (-26.1)		50900 (14920)	49500 (14510)	48000 (14070)	46300 (13570)	44700 (13100)	42900 (12570)	41100 (12050)	
	-20 (-28.9)		45200 (13250)	43800 (12840)	42400 (12430)	41000 (12020)	39500 (11580)	37800 (11080)	36100 (10580)	
	-25 (-31.7)		39800 (11660)	38600 (11310)	37400 (10960)	36100 (10580)	34800 (10200)	33300 (9760)	31700 (9290)	
	-30 (-34.4)		35100 (10290)	34100 (9990)	33000 (9670)	31800 (9320)	30700 (9000)	29300 (8590)	27700 (8120)	
	-35 (-37.2)		31100 (9110)	30200 (8850)	29300 (8590)	28200 (8260)	27100 (7940)	25900 (7590)	24600 (7210)	
-40 (-40.0)		27900 (8180)	27100 (7940)	26400 (7740)	25400 (7440)	24400 (7150)	23200 (6800)	21900 (6420)		
BEZA150L8 Compressor Model ZF49K5E	0 (-17.8)		84800 (24850)	82300 (24120)	79800 (23390)	77300 (22650)	74600 (21860)	71700 (21010)	68700 (20130)	
	-5 (-20.6)		76200 (22330)	74000 (21690)	71600 (20980)	69300 (20310)	66800 (19580)	64100 (18790)	61300 (17970)	
	-10 (-23.3)		68000 (19930)	66000 (19340)	63800 (18700)	61600 (18050)	59300 (17380)	56900 (16680)	54300 (15910)	
	-15 (-26.1)		60400 (17700)	58600 (17170)	56600 (16590)	54600 (16000)	52500 (15390)	50200 (14710)	47800 (14010)	
	-20 (-28.9)		53300 (15620)	51700 (15150)	50000 (14650)	48100 (14100)	46200 (13540)	44100 (12920)	41900 (12280)	
	-25 (-31.7)		47000 (13770)	45500 (13330)	44000 (12900)	42300 (12400)	40500 (11870)	38600 (11310)	36500 (10700)	
	-30 (-34.4)		41500 (12160)	40100 (11750)	38700 (11340)	37300 (10930)	35700 (10460)	33900 (9940)	32000 (9380)	
	-35 (-37.2)		36900 (10810)	35700 (10460)	34400 (10080)	33200 (9730)	31700 (9290)	30100 (8820)	28400 (8320)	
-40 (-40.0)		33300 (9760)	32200 (9440)	31200 (9140)	30000 (8790)	28700 (8410)	27300 (8000)	25600 (7500)		

NOTES:

- Above ratings are based on mean temperature.
- To convert to dew point ratings, use 0.95 multiplier.

MODEL BEZA	SAT. SUCT. TEMP.		CAPACITY BTU/H (WATTS) R448A AMBIENT TEMPERATURE °F (°C)							
	° F	° C	80 (26.6)	85 (29.4)	90 (32.2)	95 (35)	100 (37.8)	105 (40.6)	110 (43.3)	
BEZA010H8 Compressor Model ZS09KAE	40 (4.4)		16700 (4890)	16300 (4780)	15900 (4660)	15400 (4510)	14900 (4370)	14300 (4190)	13700 (4020)	
	35 (1.7)		15000 (4400)	14700 (4310)	14400 (4220)	14000 (4100)	13400 (3930)	12900 (3780)	12300 (3600)	
	30 (-1.1)		13700 (4020)	13300 (3900)	12900 (3780)	12600 (3690)	12200 (3580)	11700 (3430)	11100 (3250)	
	25 (-3.9)		12300 (3600)	12000 (3520)	11700 (3430)	11300 (3310)	10900 (3190)	10500 (3080)	10000 (2930)	
	20 (-6.7)		11000 (3220)	10800 (3170)	10500 (3080)	10200 (2990)	9880 (2900)	9500 (2780)	9050 (2650)	
	15 (-9.4)		9920 (2910)	9690 (2840)	9450 (2770)	9200 (2700)	8900 (2610)	8570 (2510)	8170 (2390)	
	10 (-12.2)		8890 (2610)	8680 (2540)	8470 (2480)	8270 (2420)	8010 (2350)	7730 (2270)	7390 (2170)	
	5 (-15.0)		7960 (2330)	7770 (2280)	7590 (2220)	7420 (2170)	7220 (2120)	6980 (2050)	6680 (1960)	
	0 (-17.8)		7090 (2080)	6930 (2030)	6790 (1990)	6650 (1950)	6490 (1900)	6300 (1850)	6050 (1770)	
BEZA011H8 Compressor Model ZS11KAE	40 (4.4)		19700 (5770)	19200 (5630)	18700 (5480)	18200 (5330)	17400 (5100)	16700 (4890)	15900 (4660)	
	35 (1.7)		17900 (5250)	17400 (5100)	16900 (4950)	16400 (4810)	15900 (4660)	15100 (4430)	14400 (4220)	
	30 (-1.1)		16200 (4750)	15800 (4630)	15300 (4480)	14800 (4340)	14300 (4190)	13700 (4020)	13000 (3810)	
	25 (-3.9)		14600 (4280)	14200 (4160)	13900 (4070)	13400 (3930)	12900 (3780)	12400 (3630)	11800 (3460)	
	20 (-6.7)		13100 (3840)	12800 (3750)	12500 (3660)	12100 (3550)	11700 (3430)	11100 (3250)	10600 (3110)	
	15 (-9.4)		11800 (3460)	11600 (3400)	11200 (3280)	10900 (3190)	10500 (3080)	10100 (2960)	9600 (2810)	
	10 (-12.2)		10600 (3110)	10300 (3020)	10100 (2960)	9820 (2880)	9500 (2780)	9140 (2680)	8680 (2540)	
	5 (-15.0)		9470 (2780)	9250 (2710)	9040 (2650)	8820 (2580)	8570 (2510)	8250 (2420)	7890 (2310)	
	0 (-17.8)		8440 (2470)	8250 (2420)	8100 (2370)	7920 (2320)	7720 (2260)	7480 (2190)	7150 (2100)	
BEZA015H8 Compressor Model ZS13KAE	40 (4.4)		22200 (6510)	21500 (6300)	20900 (6130)	20200 (5920)	19300 (5660)	18400 (5390)	17300 (5070)	
	35 (1.7)		20100 (5890)	19400 (5690)	18900 (5540)	18200 (5330)	17400 (5100)	16600 (4860)	15600 (4570)	
	30 (-1.1)		18100 (5300)	17500 (5130)	17000 (4980)	16400 (4810)	15800 (4630)	15000 (4400)	14200 (4160)	
	25 (-3.9)		16300 (4780)	15900 (4660)	15300 (4480)	14800 (4340)	14300 (4190)	13700 (4020)	12800 (3750)	
	20 (-6.7)		14700 (4310)	14300 (4190)	13900 (4070)	13400 (3930)	12900 (3780)	12300 (3600)	11700 (3430)	
	15 (-9.4)		13200 (3870)	12900 (3780)	12500 (3660)	12200 (3580)	11700 (3430)	11200 (3280)	10600 (3110)	
	10 (-12.2)		11900 (3490)	11700 (3430)	11300 (3310)	11000 (3220)	10600 (3110)	10200 (2990)	9650 (2830)	
	5 (-15.0)		10700 (3140)	10400 (3050)	10200 (2990)	9930 (2910)	9630 (2820)	9250 (2710)	8800 (2580)	
	0 (-17.8)		9600 (2810)	9390 (2750)	9200 (2700)	8980 (2630)	8730 (2560)	8410 (2460)	8020 (2350)	
BEZA020H8 Compressor Model ZB15KCE	40 (4.4)		26000 (7620)	25000 (7330)	23900 (7000)	22900 (6710)	21700 (6360)	20600 (6040)	19300 (5660)	
	35 (1.7)		23700 (6950)	22800 (6680)	21700 (6360)	20700 (6070)	19600 (5740)	18600 (5450)	17400 (5100)	
	30 (-1.1)		21400 (6270)	20600 (6040)	19600 (5740)	18700 (5480)	17700 (5190)	16700 (4890)	15600 (4570)	
	25 (-3.9)		19300 (5660)	18500 (5420)	17600 (5160)	16800 (4920)	15900 (4660)	15000 (4400)	14100 (4130)	
	20 (-6.7)		17300 (5070)	16600 (4860)	15900 (4660)	15000 (4400)	14300 (4190)	13400 (3930)	12600 (3690)	
	15 (-9.4)		15500 (4540)	14800 (4340)	14200 (4160)	13400 (3930)	12700 (3720)	12100 (3550)	11300 (3310)	
	10 (-12.2)		13900 (4070)	13200 (3870)	12600 (3690)	12000 (3520)	11400 (3340)	10800 (3170)	10200 (2990)	
	5 (-15.0)		12300 (3600)	11800 (3460)	11200 (3280)	10700 (3140)	10200 (2990)	9770 (2860)	9320 (2730)	
	0 (-17.8)		10900 (3190)	10500 (3080)	10100 (2960)	9650 (2830)	9260 (2710)	8940 (2620)	---	
BEZA025H8 Compressor Model ZB19KCE	40 (4.4)		32300 (9470)	31200 (9140)	29900 (8760)	28700 (8410)	27400 (8030)	26000 (7620)	24800 (7270)	
	35 (1.7)		29400 (8620)	28400 (8320)	27200 (7970)	26000 (7620)	24800 (7270)	23600 (6920)	22400 (6560)	
	30 (-1.1)		26700 (7820)	25600 (7500)	24600 (7210)	23500 (6890)	22400 (6560)	21300 (6240)	20200 (5920)	
	25 (-3.9)		24200 (7090)	23200 (6800)	22200 (6510)	21200 (6210)	20200 (5920)	19100 (5600)	18200 (5330)	
	20 (-6.7)		21700 (6360)	20800 (6100)	20000 (5860)	19000 (5570)	18200 (5330)	17200 (5040)	16400 (4810)	
	15 (-9.4)		19500 (5710)	18700 (5480)	18000 (5280)	17100 (5010)	16300 (4780)	15500 (4540)	14800 (4340)	
	10 (-12.2)		17400 (5100)	16700 (4890)	16100 (4720)	15300 (4480)	14700 (4310)	14100 (4130)	13400 (3930)	
	5 (-15.0)		15600 (4570)	15000 (4400)	14400 (4220)	13900 (4070)	13300 (3900)	12900 (3780)	12400 (3630)	
	0 (-17.8)		14000 (4100)	13400 (3930)	13000 (3810)	12600 (3690)	12300 (3600)	12000 (3520)	---	
BEZA030H8 Compressor Model ZB19KCE	40 (4.4)		40700 (11930)	39400 (11550)	37900 (11110)	36400 (10670)	35000 (10260)	33400 (9790)	31800 (9320)	
	35 (1.7)		37000 (10840)	35700 (10460)	34300 (10050)	33000 (9670)	31600 (9260)	30100 (8820)	28600 (8380)	
	30 (-1.1)		33500 (9820)	32200 (9440)	31000 (9090)	29700 (8700)	28400 (8320)	27100 (7940)	25700 (7530)	
	25 (-3.9)		30200 (8850)	29100 (8530)	27900 (8180)	26700 (7820)	25500 (7470)	24300 (7120)	23000 (6740)	
	20 (-6.7)		27200 (7970)	26100 (7650)	25000 (7330)	23900 (7000)	22900 (6710)	21700 (6360)	20700 (6070)	
	15 (-9.4)		24400 (7150)	23300 (6830)	22400 (6560)	21400 (6270)	20500 (6010)	19500 (5710)	18600 (5450)	
	10 (-12.2)		21700 (6360)	20900 (6130)	20000 (5860)	19100 (5600)	18400 (5390)	17500 (5130)	16800 (4920)	
	5 (-15.0)		19300 (5660)	18600 (5450)	17900 (5250)	17200 (5040)	16600 (4860)	16000 (4690)	15300 (4480)	
	0 (-17.8)		17200 (5040)	16600 (4860)	16100 (4720)	15500 (4540)	15000 (4400)	14600 (4280)	14300 (4190)	

NOTES:

- Above ratings are based on mean temperature.
- To convert to dew point ratings, use 0.95 multiplier.
- Shaded Area Restriction: 20°F Max Superheat
- For R449A, use R448A data.

table continues on next page >>>

CAPACITY DATA - **R448A** HIGH / MEDIUM TEMPERATURE (cont'd)

MODEL BEZA	SAT. SUCT. TEMP.		CAPACITY BTU/H (WATTS) R448A AMBIENT TEMPERATURE °F (°C)							
	° F	° C	80 (26.6)	85 (29.4)	90 (32.2)	95 (35)	100 (37.8)	105 (40.6)	110 (43.3)	
BEZA035H8 Compressor Model ZB26KCE	40 (4.4)	46400 (13600)	44700 (13100)	43100 (12630)	41400 (12130)	39600 (11610)	37700 (11050)	35800 (10490)	32300 (9470)	
	35 (1.7)	42200 (12370)	40600 (11900)	39100 (11460)	37500 (10990)	35800 (10490)	34000 (9960)	32300 (9470)	29100 (8530)	
	30 (-1.1)	38200 (11200)	36800 (10780)	35300 (10350)	33800 (9910)	32200 (9440)	30700 (9000)	29100 (8530)	26100 (7650)	
	25 (-3.9)	34500 (10110)	33200 (9730)	31800 (9320)	30300 (8880)	29000 (8500)	27500 (8060)	26100 (7650)	23500 (6890)	
	20 (-6.7)	31100 (9110)	29800 (8730)	28600 (8380)	27300 (8000)	26000 (7620)	24800 (7270)	23500 (6890)	21200 (6210)	
	15 (-9.4)	27800 (8150)	26700 (7820)	25600 (7500)	24500 (7180)	23300 (6830)	22300 (6540)	21200 (6210)	19200 (5630)	
	10 (-12.2)	24900 (7300)	23800 (6980)	22900 (6710)	21900 (6420)	21000 (6150)	20100 (5890)	19200 (5630)	17600 (5160)	
	5 (-15.0)	22200 (6510)	21300 (6240)	20500 (6010)	19700 (5770)	19000 (5570)	18300 (5360)	17600 (5160)	16500 (4840)	
	0 (-17.8)	19700 (5770)	19100 (5600)	18500 (5420)	17900 (5250)	17300 (5070)	16900 (4950)	16500 (4840)	---	
BEZA040H8 Compressor Model ZB30KCE	40 (4.4)	52700 (15440)	50800 (14890)	49000 (14360)	47100 (13800)	45300 (13280)	43400 (12720)	41500 (12160)	39800 (11660)	
	35 (1.7)	48300 (14160)	46600 (13660)	44900 (13160)	43300 (12690)	41500 (12160)	39800 (11660)	38100 (11160)	36300 (10640)	
	30 (-1.1)	44200 (12950)	42600 (12480)	41100 (12050)	39500 (11580)	37900 (11110)	36300 (10640)	34800 (10140)	33100 (9700)	
	25 (-3.9)	40200 (11780)	38900 (11400)	37400 (10960)	36000 (10550)	34500 (10110)	33100 (9700)	31600 (9260)	29900 (8760)	
	20 (-6.7)	36500 (10700)	35300 (10350)	34000 (9960)	32700 (9580)	31300 (9170)	29900 (8760)	28700 (8410)	27000 (7910)	
	15 (-9.4)	33100 (9700)	31900 (9350)	30700 (9000)	29500 (8650)	28200 (8260)	27000 (7910)	25700 (7530)	24200 (7090)	
	10 (-12.2)	29800 (8730)	28800 (8440)	27600 (8090)	26500 (7770)	25300 (7410)	24200 (7090)	23100 (6770)	21500 (6300)	
	5 (-15.0)	26800 (7850)	25700 (7530)	24700 (7240)	23600 (6920)	22600 (6620)	21500 (6300)	20500 (6010)	19800 (5800)	
	0 (-17.8)	23800 (6980)	22900 (6710)	21800 (6390)	20900 (6130)	19800 (5800)	18900 (5540)	17900 (5250)	---	
BEZA050H8 Compressor Model ZB38KCE	40 (4.4)	65900 (19310)	63700 (18670)	61400 (17990)	59000 (17290)	56700 (16620)	54300 (15910)	51900 (15240)	49800 (14590)	
	35 (1.7)	60500 (17730)	58400 (17120)	56300 (16500)	54100 (15860)	52000 (15240)	49800 (14590)	47500 (13920)	45500 (13330)	
	30 (-1.1)	55200 (16180)	53300 (15620)	51500 (15090)	49500 (14510)	47500 (13920)	45500 (13330)	43500 (12750)	41500 (12130)	
	25 (-3.9)	50400 (14770)	48600 (14240)	46800 (13720)	45000 (13190)	43200 (12660)	41400 (12130)	39600 (11610)	37800 (11090)	
	20 (-6.7)	45800 (13420)	44100 (12920)	42500 (12460)	40800 (11960)	39200 (11490)	37500 (10990)	35800 (10490)	34200 (9910)	
	15 (-9.4)	41400 (12130)	39900 (11690)	38400 (11250)	36900 (10810)	35400 (10370)	33800 (9910)	32200 (9440)	30700 (8990)	
	10 (-12.2)	37300 (10930)	35900 (10520)	34500 (10110)	33200 (9730)	31700 (9290)	30200 (8850)	28900 (8470)	27500 (8060)	
	5 (-15.0)	33400 (9790)	32100 (9410)	30900 (9060)	29600 (8670)	28200 (8260)	26900 (7880)	25500 (7470)	24200 (7090)	
	0 (-17.8)	29800 (8730)	28600 (8380)	27400 (8030)	26100 (7650)	24900 (7300)	23600 (6920)	22400 (6560)	---	
BEZA060H8 Compressor Model ZB45KCE	40 (4.4)	80400 (23560)	77700 (22770)	74900 (21950)	72100 (21130)	69300 (20310)	66500 (19490)	63600 (18640)	60800 (17820)	
	35 (1.7)	73500 (21540)	71100 (20840)	68500 (20080)	65900 (19310)	63400 (18580)	60800 (17820)	58200 (17060)	55600 (16300)	
	30 (-1.1)	67100 (19660)	64800 (18990)	62500 (18320)	60200 (17640)	57800 (16940)	55400 (16240)	53000 (15530)	50600 (14820)	
	25 (-3.9)	61000 (17880)	58900 (17260)	56800 (16650)	54700 (16030)	52500 (15390)	50300 (14740)	48200 (14130)	46100 (13520)	
	20 (-6.7)	55300 (16210)	53400 (15650)	51600 (15120)	49600 (14540)	47600 (13950)	45600 (13360)	43600 (12780)	41700 (12190)	
	15 (-9.4)	50000 (14650)	48300 (14160)	46500 (13630)	44700 (13100)	42800 (12540)	41100 (12050)	39200 (11490)	37400 (10930)	
	10 (-12.2)	45000 (13190)	43500 (12750)	41800 (12250)	40100 (11750)	38400 (11250)	36800 (10780)	35100 (10290)	33500 (9810)	
	5 (-15.0)	40300 (11810)	38900 (11400)	37300 (10930)	35800 (10490)	34200 (10020)	32700 (9580)	31100 (9110)	29600 (8670)	
	0 (-17.8)	35900 (10520)	34500 (10110)	33100 (9700)	31600 (9260)	30100 (8820)	28700 (8410)	27200 (7970)	---	
BEZA061H8 Compressor Model ZB48KCE	40 (4.4)	89300 (26170)	86200 (25260)	83100 (24350)	79900 (23420)	76800 (22510)	73600 (21570)	70400 (20630)	67200 (19690)	
	35 (1.7)	81800 (23970)	79000 (23150)	76100 (22300)	73200 (21450)	70400 (20630)	67400 (19750)	64500 (18820)	61500 (18020)	
	30 (-1.1)	74800 (21920)	72100 (21130)	69500 (20370)	66900 (19610)	64200 (18820)	61500 (18020)	58800 (17230)	56100 (16440)	
	25 (-3.9)	68000 (19930)	65700 (19250)	63300 (18550)	60900 (17850)	58500 (17140)	56000 (16410)	53600 (15710)	51200 (15010)	
	20 (-6.7)	61800 (18110)	59600 (17470)	57400 (16820)	55200 (16180)	53000 (15530)	50700 (14860)	48400 (14180)	46200 (13520)	
	15 (-9.4)	56000 (16410)	54000 (15830)	51900 (15210)	49900 (14620)	47800 (14010)	45700 (13390)	43700 (12810)	41700 (12190)	
	10 (-12.2)	50400 (14770)	48500 (14210)	46700 (13690)	44800 (13130)	42800 (12540)	41000 (12020)	39100 (11460)	37200 (10900)	
	5 (-15.0)	45200 (13250)	43500 (12750)	41700 (12220)	40000 (11720)	38200 (11200)	36400 (10670)	34500 (10110)	32700 (9580)	
	0 (-17.8)	40200 (11780)	38600 (11310)	37000 (10840)	35300 (10350)	33600 (9850)	32000 (9380)	30200 (8850)	---	
BEZA070H8 Compressor Model ZB58K5E	40 (4.4)	97400 (28550)	94600 (27720)	91600 (26850)	88100 (25820)	84300 (24710)	80100 (23470)	75900 (22160)	71700 (20850)	
	35 (1.7)	89400 (26200)	86900 (25470)	84200 (24680)	81200 (23800)	77800 (22800)	73900 (21660)	69800 (20440)	65700 (19220)	
	30 (-1.1)	81600 (23910)	79400 (23270)	77100 (22600)	74300 (21780)	71300 (20900)	67800 (19870)	64300 (18840)	60800 (17810)	
	25 (-3.9)	74100 (21720)	72200 (21160)	70100 (20540)	67700 (19840)	65000 (19050)	61700 (18080)	58400 (17110)	55100 (16140)	
	20 (-6.7)	67100 (19660)	65400 (19170)	63500 (18610)	61300 (17970)	58700 (17200)	55800 (16350)	52400 (15360)	49000 (14410)	
	15 (-9.4)	60600 (17760)	58900 (17260)	57100 (16730)	55100 (16150)	52700 (15440)	49900 (14620)	46600 (13660)	43300 (12710)	
	10 (-12.2)	54400 (15940)	52800 (15470)	51000 (14950)	49000 (14360)	46700 (13690)	44000 (12900)	40800 (11960)	37600 (11020)	
	5 (-15.0)	48700 (14270)	47000 (13770)	45300 (13280)	43200 (12660)	40800 (11960)	38100 (11170)	35100 (10290)	32100 (9400)	
	0 (-17.8)	43400 (12720)	41600 (12190)	39600 (11610)	37500 (10990)	35100 (10290)	32300 (9470)	29200 (8560)	---	

NOTES:

- Above ratings are based on mean temperature.
- To convert to dew point ratings, use 0.95 multiplier.
- Shaded Area Restriction: 20°F Max Superheat
- For R449A, use R448A data.

table continues on next page >>>

**CAPACITY DATA - R448A
HIGH / MEDIUM TEMPERATURE (cont'd)**

MODEL BEZA	SAT. SUCT. TEMP.		CAPACITY BTU/H (WATTS) R448A AMBIENT TEMPERATURE °F (°C)						
	° F	° C	80 (26.6)	85 (29.4)	90 (32.2)	95 (35)	100 (37.8)	105 (40.6)	110 (43.3)
BEZA076H8 Compressor Model ZB66K5E	40 (4.4)	115200 (33760)	112000 (32820)	108600 (31830)	105000 (30770)	101000 (29600)	96700 (28340)	91900 (26930)	
	35 (1.7)	105300 (30860)	102500 (30040)	99500 (29160)	96400 (28250)	92900 (27230)	89000 (26080)	84700 (24820)	
	30 (-1.1)	95900 (28110)	93500 (27400)	90900 (26640)	88100 (25820)	85100 (24940)	81600 (23910)	77800 (22800)	
	25 (-3.9)	87000 (25500)	84800 (24850)	82600 (24210)	80200 (23500)	77500 (22710)	74400 (21800)	71000 (20810)	
	20 (-6.7)	78800 (23090)	76800 (22510)	74800 (21920)	72600 (21280)	70100 (20540)	67400 (19750)	64300 (18840)	
	15 (-9.4)	71000 (20810)	69200 (20280)	67400 (19750)	65400 (19170)	63100 (18490)	60600 (17760)	57600 (16880)	
	10 (-12.2)	63900 (18730)	62200 (18230)	60400 (17700)	58500 (17140)	56400 (16530)	54000 (15830)	51200 (15010)	
	5 (-15.0)	57300 (16790)	55500 (16270)	53800 (15770)	51900 (15210)	49900 (14620)	47500 (13920)	44800 (13130)	
0 (-17.8)	51300 (15030)	49500 (14510)	47600 (13950)	45700 (13390)	43600 (12780)	41200 (12070)	38500 (11280)		
BEZA085H8 Compressor Model ZB76K5E	40 (4.4)	130600 (38270)	126900 (37190)	123100 (36080)	118900 (34850)	114100 (33440)	109100 (31970)	---	---
	35 (1.7)	119600 (35050)	116400 (34110)	113000 (33120)	109300 (32030)	105200 (30830)	100700 (29510)	---	---
	30 (-1.1)	109000 (31940)	106300 (31150)	103300 (30270)	100100 (29340)	96500 (28280)	92500 (27110)	88000 (25790)	
	25 (-3.9)	99000 (29010)	96700 (28340)	94100 (27580)	91200 (26730)	88100 (25820)	84500 (24760)	80500 (23590)	
	20 (-6.7)	89700 (26290)	87600 (25670)	85300 (25000)	82700 (24240)	80000 (23450)	76800 (22510)	73200 (21450)	
	15 (-9.4)	81000 (23740)	79000 (23150)	77000 (22570)	74700 (21890)	72100 (21130)	69200 (20280)	65900 (19310)	
	10 (-12.2)	72900 (21360)	71000 (20810)	69000 (20220)	66900 (19610)	64600 (18930)	61800 (18110)	58800 (17230)	
	5 (-15.0)	65300 (19140)	63400 (18580)	61500 (18020)	59400 (17410)	57200 (16760)	54700 (16030)	51800 (15180)	
0 (-17.8)	58400 (17120)	56400 (16530)	54400 (15940)	52300 (15330)	50100 (14680)	47700 (13980)	44800 (13130)		
BEZA110H8 Compressor Model ZB95K5E	40 (4.4)	173300 (50790)	167500 (49090)	161500 (47330)	155400 (45540)	149000 (43670)	142300 (41700)	135200 (39620)	
	35 (1.7)	156500 (45870)	151300 (44340)	146000 (42790)	140400 (41150)	134600 (39450)	128500 (37660)	122100 (35780)	
	30 (-1.1)	141000 (41320)	136500 (40000)	131700 (38600)	126600 (37100)	121400 (35580)	115800 (33940)	109800 (32180)	
	25 (-3.9)	127100 (37250)	123000 (36050)	118700 (34790)	114000 (33410)	109200 (32000)	104000 (30480)	98500 (28870)	
	20 (-6.7)	114500 (33560)	110700 (32440)	106700 (31270)	102400 (30010)	97900 (28690)	93000 (27260)	87900 (25760)	
	15 (-9.4)	102900 (30160)	99300 (29100)	95600 (28020)	91600 (26850)	87300 (25590)	82600 (24210)	77700 (22770)	
	10 (-12.2)	92300 (27050)	88900 (26050)	85300 (25000)	81400 (23860)	77300 (22650)	72800 (21340)	67900 (19900)	
	5 (-15.0)	82400 (24150)	79200 (23210)	75600 (22160)	71700 (21010)	67500 (19780)	63100 (18490)	58300 (17090)	
0 (-17.8)	73200 (21450)	69800 (20460)	66200 (19400)	62300 (18260)	58100 (17030)	53400 (15650)	48500 (14210)		
BEZA150H8 Compressor Model ZB114K5E	40 (4.4)	201200 (58970)	194400 (56970)	187200 (54860)	179900 (52720)	172200 (50470)	164300 (48150)	---	---
	35 (1.7)	182200 (53400)	176000 (51580)	169600 (49700)	162900 (47740)	155900 (45690)	148600 (43550)	---	---
	30 (-1.1)	164700 (48270)	159100 (46630)	153300 (44930)	147100 (43110)	140700 (41230)	134000 (39270)	126800 (37160)	
	25 (-3.9)	148600 (43550)	143500 (42060)	138200 (40500)	132500 (38830)	126500 (37070)	120200 (35230)	113600 (33290)	
	20 (-6.7)	133900 (39240)	129200 (37860)	124200 (36400)	119000 (34880)	113400 (33230)	107400 (31480)	101100 (29630)	
	15 (-9.4)	120300 (35260)	115900 (33970)	111300 (32620)	106300 (31150)	101000 (29600)	95200 (27900)	89300 (26170)	
	10 (-12.2)	107800 (31590)	103600 (30360)	99100 (29040)	94300 (27640)	89100 (26110)	83700 (24530)	77700 (22770)	
	5 (-15.0)	96200 (28190)	92100 (26990)	87700 (25700)	83000 (24320)	77800 (22800)	72300 (21190)	66500 (19490)	
0 (-17.8)	85300 (25000)	81100 (23770)	76700 (22480)	71800 (21040)	66700 (19550)	61200 (17940)	55200 (16180)		

NOTES:

- Above ratings are based on mean temperature.
- To convert to dew point ratings, use 0.95 multiplier.
- Shaded Area Restriction: 20°F Max Superheat
- For R449A, use R448A data.

**CAPACITY DATA - R448A
LOW TEMPERATURE**

MODEL BEZA	SATURATED SUCTION TEMPERATURE		CAPACITY BTU/H (WATTS) R448A AMBIENT TEMPERATURE °F (°C)							
	° F	° C	80 (26.6)	85 (29.4)	90 (32.2)	95 (35)	100 (37.8)	105 (40.6)	110 (43.3)	
BEZA020L8 Compressor Model ZF06K4E	-5 (-20.6)		10900 (3190)	10600 (3110)	10300 (3020)	10000 (2930)	9720 (2850)	9440 (2770)	9170 (2690)	
	-10 (-23.3)		9800 (2870)	9520 (2790)	9260 (2710)	9000 (2640)	8740 (2560)	8470 (2480)	8240 (2410)	
	-15 (-26.1)		8740 (2560)	8510 (2490)	8270 (2420)	8020 (2350)	7800 (2290)	7580 (2220)	7390 (2170)	
	-20 (-28.9)		7760 (2270)	7550 (2210)	7340 (2150)	7130 (2090)	6930 (2030)	6750 (1980)	6580 (1930)	
	-25 (-31.7)		6860 (2010)	6670 (1950)	6480 (1900)	6300 (1850)	6120 (1790)	5960 (1750)	5820 (1710)	
	-30 (-34.4)		6030 (1770)	5860 (1720)	5680 (1660)	5510 (1610)	5360 (1570)	5230 (1530)	5100 (1490)	
	-35 (-37.2)		5270 (1540)	5100 (1490)	4940 (1450)	4790 (1400)	4650 (1360)	4530 (1330)	4420 (1300)	
-40 (-40.0)		4580 (1340)	4410 (1290)	4250 (1250)	4120 (1210)	3980 (1170)	3860 (1130)	3770 (1100)		
BEZA025L8 Compressor Model ZF08K4E	-5 (-20.6)		13900 (4070)	13500 (3960)	13100 (3840)	12700 (3720)	12300 (3600)	11900 (3490)	11400 (3340)	
	-10 (-23.3)		12400 (3630)	12100 (3550)	11800 (3460)	11300 (3310)	11000 (3220)	10600 (3110)	10200 (2990)	
	-15 (-26.1)		11000 (3220)	10700 (3140)	10500 (3080)	10200 (2990)	9830 (2880)	9490 (2780)	9140 (2680)	
	-20 (-28.9)		9800 (2870)	9540 (2800)	9280 (2720)	9010 (2640)	8740 (2560)	8430 (2470)	8130 (2380)	
	-25 (-31.7)		8660 (2540)	8430 (2470)	8200 (2400)	7960 (2330)	7720 (2260)	7460 (2190)	7190 (2110)	
	-30 (-34.4)		7630 (2240)	7430 (2180)	7220 (2120)	7000 (2050)	6780 (1990)	6560 (1920)	6330 (1860)	
	-35 (-37.2)		6700 (1960)	6520 (1910)	6330 (1860)	6130 (1800)	5930 (1740)	5730 (1680)	5530 (1620)	
-40 (-40.0)		5870 (1720)	5700 (1670)	5520 (1620)	5340 (1560)	5160 (1510)	4990 (1460)	4800 (1410)		
BEZA030L8 Compressor Model ZF09K4E	-5 (-20.6)		15300 (4480)	14900 (4370)	14400 (4220)	14000 (4100)	13500 (3960)	13100 (3840)	12600 (3690)	
	-10 (-23.3)		13700 (4020)	13300 (3900)	12900 (3780)	12500 (3660)	12200 (3580)	11800 (3460)	11300 (3310)	
	-15 (-26.1)		12200 (3580)	11900 (3490)	11600 (3400)	11200 (3280)	10900 (3190)	10500 (3080)	10200 (2990)	
	-20 (-28.9)		10800 (3170)	10600 (3110)	10300 (3020)	9980 (2920)	9680 (2840)	9380 (2750)	9060 (2660)	
	-25 (-31.7)		9620 (2820)	9360 (2740)	9100 (2670)	8850 (2590)	8590 (2520)	8330 (2440)	8050 (2360)	
	-30 (-34.4)		8460 (2480)	8240 (2410)	8020 (2350)	7800 (2290)	7570 (2220)	7340 (2150)	7110 (2080)	
	-35 (-37.2)		7430 (2180)	7250 (2120)	7050 (2070)	6850 (2010)	6650 (1950)	6450 (1890)	6250 (1830)	
-40 (-40.0)		6480 (1900)	6320 (1850)	6140 (1800)	5960 (1750)	5790 (1700)	5630 (1650)	5450 (1600)		
BEZA035L8 Compressor Model ZF11K4E	-5 (-20.6)		18700 (5480)	18200 (5330)	17600 (5160)	17100 (5010)	16500 (4840)	15900 (4660)	15200 (4450)	
	-10 (-23.3)		16800 (4920)	16300 (4780)	15900 (4660)	15300 (4480)	14800 (4340)	14300 (4190)	13800 (4040)	
	-15 (-26.1)		15000 (4400)	14600 (4280)	14200 (4160)	13800 (4040)	13200 (3870)	12800 (3750)	12300 (3600)	
	-20 (-28.9)		13300 (3900)	12900 (3780)	12600 (3690)	12200 (3580)	11900 (3490)	11400 (3340)	11000 (3220)	
	-25 (-31.7)		11800 (3460)	11400 (3340)	11100 (3250)	10800 (3170)	10500 (3080)	10100 (2960)	9780 (2870)	
	-30 (-34.4)		10400 (3050)	10100 (2960)	9850 (2890)	9570 (2800)	9280 (2720)	8980 (2630)	8650 (2540)	
	-35 (-37.2)		9110 (2670)	8880 (2600)	8650 (2540)	8410 (2460)	8170 (2390)	7910 (2320)	7640 (2240)	
-40 (-40.0)		7970 (2340)	7770 (2280)	7570 (2220)	7360 (2160)	7140 (2090)	6920 (2030)	6700 (1960)		
BEZA045L8 Compressor Model ZF13K4E	-5 (-20.6)		23000 (6740)	22300 (6540)	21400 (6270)	20500 (6010)	19600 (5740)	18700 (5480)	17700 (5190)	
	-10 (-23.3)		20600 (6040)	19800 (5800)	19100 (5600)	18300 (5360)	17500 (5130)	16700 (4890)	15900 (4660)	
	-15 (-26.1)		18300 (5360)	17600 (5160)	16900 (4950)	16300 (4780)	15500 (4540)	14900 (4370)	14200 (4160)	
	-20 (-28.9)		16100 (4720)	15500 (4540)	14900 (4370)	14400 (4220)	13800 (4040)	13200 (3870)	12600 (3690)	
	-25 (-31.7)		14100 (4130)	13700 (4020)	13100 (3840)	12700 (3720)	12200 (3580)	11800 (3460)	11200 (3280)	
	-30 (-34.4)		12300 (3600)	11900 (3490)	11600 (3400)	11100 (3250)	10700 (3140)	10400 (3050)	10100 (2960)	
	-35 (-37.2)		10600 (3110)	10300 (3020)	10000 (2930)	9740 (2850)	9490 (2780)	9260 (2710)	9050 (2650)	
-40 (-40.0)		9180 (2690)	8950 (2620)	8740 (2560)	8560 (2510)	8410 (2460)	8320 (2440)	8240 (2410)		
BEZA055L8 Compressor Model ZF15K4E	-5 (-20.6)		28200 (8260)	27300 (8000)	26400 (7740)	25300 (7410)	24300 (7120)	23200 (6800)	22100 (6480)	
	-10 (-23.3)		25300 (7410)	24500 (7180)	23500 (6890)	22700 (6650)	21700 (6360)	20800 (6100)	19800 (5800)	
	-15 (-26.1)		22500 (6590)	21700 (6360)	21000 (6150)	20200 (5920)	19400 (5690)	18600 (5450)	17700 (5190)	
	-20 (-28.9)		19800 (5800)	19200 (5630)	18600 (5450)	18000 (5280)	17200 (5040)	16600 (4860)	15900 (4660)	
	-25 (-31.7)		17500 (5130)	16900 (4950)	16400 (4810)	15900 (4660)	15300 (4480)	14700 (4310)	14200 (4160)	
	-30 (-34.4)		15300 (4480)	14900 (4370)	14500 (4250)	14000 (4100)	13500 (3960)	13100 (3840)	12700 (3720)	
	-35 (-37.2)		13400 (3930)	13000 (3810)	12700 (3720)	12300 (3600)	12000 (3520)	11700 (3430)	11300 (3310)	
-40 (-40.0)		11700 (3430)	11400 (3340)	11100 (3250)	10800 (3170)	10600 (3110)	10400 (3050)	10200 (2990)		
BEZA060L8 Compressor Model ZF18K4E	-5 (-20.6)		33300 (9760)	32200 (9440)	31100 (9110)	29900 (8760)	28700 (8410)	27500 (8060)	26300 (7710)	
	-10 (-23.3)		29800 (8730)	28900 (8470)	27900 (8180)	26900 (7880)	25800 (7560)	24800 (7270)	23700 (6950)	
	-15 (-26.1)		26600 (7800)	25700 (7530)	24900 (7300)	24000 (7030)	23200 (6800)	22300 (6540)	21300 (6240)	
	-20 (-28.9)		23600 (6920)	22900 (6710)	22200 (6510)	21400 (6270)	20700 (6070)	20000 (5860)	19200 (5630)	
	-25 (-31.7)		20800 (6100)	20300 (5950)	19600 (5740)	19000 (5570)	18500 (5420)	17900 (5250)	17200 (5040)	
	-30 (-34.4)		18300 (5360)	17700 (5190)	17300 (5070)	16800 (4920)	16400 (4810)	16000 (4690)	15500 (4540)	
	-35 (-37.2)		16000 (4690)	15500 (4540)	15200 (4450)	14800 (4340)	14500 (4250)	14200 (4160)	14000 (4100)	
-40 (-40.0)		13900 (4070)	13500 (3960)	13300 (3900)	13000 (3810)	12900 (3780)	12700 (3720)	12600 (3690)		

NOTES:

- Above ratings are based on mean temperature.
- To convert to dew point ratings, use 0.95 multiplier.
- Shaded Area Restriction: 20°F Max Superheat
- For R449A, use R448A data.

table continues on next page >>>

**CAPACITY DATA - R448A
LOW TEMPERATURE (cont'd)**

MODEL BEZA	SATURATED SUCTION TEMPERATURE		CAPACITY BTU/H (WATTS) R448A AMBIENT TEMPERATURE °F (°C)							
	° F	° C	80 (26.6)	85 (29.4)	90 (32.2)	95 (35)	100 (37.8)	105 (40.6)	110 (43.3)	
BEZA075L8 Compressor Model ZF25K4E	-5 (-20.6)	41000 (12020)	39700 (11630)	38300 (11220)	37000 (10840)	35600 (10430)	34200 (10020)	32900 (9640)		
	-10 (-23.3)	36500 (10700)	35400 (10370)	34100 (9990)	33000 (9670)	31800 (9320)	30600 (8970)	29400 (8620)		
	-15 (-26.1)	32400 (9500)	31400 (9200)	30300 (8880)	29300 (8590)	28200 (8260)	27300 (8000)	26300 (7710)		
	-20 (-28.9)	28700 (8410)	27700 (8120)	26900 (7880)	25900 (7590)	25100 (7360)	24300 (7120)	23500 (6890)		
	-25 (-31.7)	25200 (7390)	24400 (7150)	23600 (6920)	22900 (6710)	22300 (6540)	21600 (6330)	21000 (6150)		
	-30 (-34.4)	22100 (6480)	21400 (6270)	20800 (6100)	20300 (5950)	19700 (5770)	19200 (5630)	18900 (5540)		
	-35 (-37.2)	19200 (5630)	18700 (5480)	18300 (5360)	17900 (5250)	17500 (5130)	17200 (5040)	17100 (5010)		
-40 (-40.0)	16800 (4920)	16400 (4810)	16100 (4720)	15900 (4660)	15700 (4600)	15600 (4570)	15500 (4540)			
BEZA100L8 Compressor Model ZF34K5E	-5 (-20.6)	51600 (15120)	50000 (14650)	48400 (14180)	46700 (13690)	45000 (13190)	43300 (12690)	41400 (12130)		
	-10 (-23.3)	46200 (13540)	44800 (13130)	43500 (12750)	42000 (12310)	40400 (11840)	38900 (11400)	37200 (10900)		
	-15 (-26.1)	41300 (12100)	40100 (11750)	38900 (11400)	37500 (10990)	36100 (10580)	34800 (10200)	33400 (9790)		
	-20 (-28.9)	36600 (10730)	35600 (10430)	34400 (10080)	33400 (9790)	32100 (9410)	31000 (9090)	29700 (8700)		
	-25 (-31.7)	32300 (9470)	31400 (9200)	30500 (8940)	29400 (8620)	28500 (8350)	27400 (8030)	26400 (7740)		
	-30 (-34.4)	28200 (8260)	27500 (8060)	26700 (7820)	25800 (7560)	25000 (7330)	24200 (7090)	23200 (6800)		
	-35 (-37.2)	24500 (7180)	23800 (6980)	23100 (6770)	22400 (6560)	21700 (6360)	21000 (6150)	20400 (5980)		
-40 (-40.0)	21000 (6150)	20400 (5980)	19700 (5770)	19200 (5630)	18700 (5480)	18200 (5330)	17600 (5160)			
BEZA130L8 Compressor Model ZF41K5E	-5 (-20.6)	64800 (18990)	63000 (18460)	61100 (17910)	59200 (17350)	57200 (16760)	55000 (16120)	52900 (15500)		
	-10 (-23.3)	58200 (17060)	56600 (16590)	54900 (16090)	53200 (15590)	51500 (15090)	49600 (14540)	47600 (13950)		
	-15 (-26.1)	52100 (15270)	50600 (14830)	49100 (14390)	47700 (13980)	46000 (13480)	44400 (13010)	42700 (12510)		
	-20 (-28.9)	46300 (13570)	45000 (13190)	43800 (12840)	42400 (12430)	41100 (12050)	39600 (11610)	38100 (11170)		
	-25 (-31.7)	41000 (12020)	39900 (11690)	38700 (11340)	37600 (11020)	36300 (10640)	35200 (10320)	33900 (9940)		
	-30 (-34.4)	35900 (10520)	35000 (10260)	34000 (9960)	33000 (9670)	32000 (9380)	31000 (9090)	29900 (8760)		
	-35 (-37.2)	31300 (9170)	30500 (8940)	29600 (8670)	28800 (8440)	27900 (8180)	27100 (7940)	26100 (7650)		
-40 (-40.0)	26900 (7880)	26100 (7650)	25500 (7470)	24800 (7270)	24000 (7030)	23400 (6860)	22700 (6650)			
BEZA150L8 Compressor Model ZF49K5E	-5 (-20.6)	77200 (22630)	74900 (21950)	72600 (21280)	70100 (20540)	67600 (19810)	65000 (19050)	62300 (18260)		
	-10 (-23.3)	69200 (20280)	67200 (19690)	65100 (19080)	63000 (18460)	60700 (17790)	58400 (17120)	56000 (16410)		
	-15 (-26.1)	61700 (18080)	60000 (17580)	58200 (17060)	56200 (16470)	54200 (15880)	52200 (15300)	50000 (14650)		
	-20 (-28.9)	54800 (16060)	53200 (15590)	51700 (15150)	50000 (14650)	48200 (14130)	46400 (13600)	44500 (13040)		
	-25 (-31.7)	48400 (14180)	47000 (13770)	45600 (13360)	44100 (12920)	42600 (12480)	41100 (12050)	39500 (11580)		
	-30 (-34.4)	42500 (12460)	41300 (12100)	40000 (11720)	38700 (11340)	37500 (10990)	36200 (10610)	34900 (10230)		
	-35 (-37.2)	37100 (10870)	36000 (10550)	35000 (10260)	33900 (9940)	32900 (9640)	31700 (9290)	30700 (9000)		
-40 (-40.0)	32000 (9380)	31200 (9140)	30300 (8880)	29400 (8620)	28600 (8380)	27700 (8120)	26900 (7880)			

NOTES:

- Above ratings are based on mean temperature.
- To convert to dew point ratings, use 0.95 multiplier.
- Shaded Area Restriction: 20°F Max Superheat
- For R449A, use R448A data.

**CAPACITY DATA - R407C
HIGH / MEDIUM TEMPERATURE**

MODEL BEZA	SATURATED SUCTION TEMP. ° F ° C	CAPACITY BTU/H (WATTS) R407C AMBIENT TEMPERATURE ° F (°C)								
		80 (26.6)	85 (29.4)	90 (32.2)	95 (35.0)	100 (37.8)	105 (40.6)	110 (43.3)		
BEZA010H8 Compressor Model ZS09KAE	45 (7.2)	18200 (5330)	17500 (5130)	17100 (5010)	16600 (4860)	16100 (4720)	15500 (4540)	15000 (4400)		
	40 (4.4)	16600 (4860)	16200 (4750)	15600 (4570)	15200 (4450)	14700 (4310)	14300 (4190)	13900 (4070)		
	35 (1.7)	15100 (4430)	14700 (4310)	14300 (4190)	13900 (4070)	13500 (3960)	13100 (3840)	12700 (3720)		
	30 (-1.1)	13800 (4040)	13400 (3930)	13000 (3810)	12700 (3720)	12300 (3600)	12000 (3520)	11600 (3400)		
	25 (-3.9)	12500 (3660)	12200 (3580)	11800 (3460)	11400 (3340)	11100 (3250)	10800 (3170)	10500 (3080)		
	20 (-6.7)	11200 (3280)	10900 (3190)	10600 (3110)	10400 (3050)	10100 (2960)	9770 (2860)	9450 (2770)		
	15 (-9.4)	9980 (2920)	9770 (2860)	9560 (2800)	9240 (2710)	9030 (2650)	8720 (2560)	8400 (2460)		
10 (-12.2)	8930 (2620)	8720 (2560)	8510 (2490)	8190 (2400)	7980 (2340)	7770 (2280)	7460 (2190)			
BEZA011H8 Compressor Model ZS11KAE	45 (7.2)	21200 (6210)	20600 (6040)	20000 (5860)	19400 (5690)	18800 (5510)	18200 (5330)	17500 (5130)		
	40 (4.4)	19400 (5690)	18900 (5540)	18400 (5390)	17900 (5250)	17300 (5070)	16700 (4890)	16200 (4750)		
	35 (1.7)	17700 (5190)	17300 (5070)	16800 (4920)	16400 (4810)	15900 (4660)	15300 (4480)	14800 (4340)		
	30 (-1.1)	16200 (4750)	15800 (4630)	15300 (4480)	14900 (4370)	14500 (4250)	14000 (4100)	13500 (3960)		
	25 (-3.9)	14700 (4310)	14300 (4190)	14000 (4100)	13500 (3960)	13100 (3840)	12700 (3720)	12300 (3600)		
	20 (-6.7)	13200 (3870)	12900 (3780)	12500 (3660)	12200 (3580)	11900 (3490)	11400 (3340)	11100 (3250)		
	15 (-9.4)	11900 (3490)	11600 (3400)	11200 (3280)	10900 (3190)	10600 (3110)	10300 (3020)	9980 (2920)		
10 (-12.2)	10500 (3080)	10300 (3020)	9980 (2920)	9770 (2860)	9450 (2770)	9140 (2680)	8820 (2580)			
BEZA015H8 Compressor Model ZS13KAE	45 (7.2)	23800 (6980)	23100 (6770)	22400 (6560)	21700 (6360)	21000 (6150)	20400 (5980)	19600 (5740)		
	40 (4.4)	21800 (6390)	21200 (6210)	20600 (6040)	20100 (5890)	19400 (5690)	18800 (5510)	18200 (5330)		
	35 (1.7)	20100 (5890)	19400 (5690)	18900 (5540)	18400 (5390)	17900 (5250)	17200 (5040)	16700 (4890)		
	30 (-1.1)	18300 (5360)	17700 (5190)	17200 (5040)	16800 (4920)	16300 (4780)	15800 (4630)	15200 (4450)		
	25 (-3.9)	16600 (4860)	16200 (4750)	15600 (4570)	15200 (4450)	14800 (4340)	14300 (4190)	13900 (4070)		
	20 (-6.7)	14900 (4370)	14600 (4280)	14200 (4160)	13800 (4040)	13300 (3900)	12900 (3780)	12500 (3660)		
	15 (-9.4)	13400 (3930)	13000 (3810)	12700 (3720)	12400 (3630)	12000 (3520)	11600 (3400)	11200 (3280)		
10 (-12.2)	12000 (3520)	11700 (3430)	11300 (3310)	11000 (3220)	10600 (3110)	10300 (3020)	9870 (2890)			
BEZA020H8 Compressor Model ZB15KCE	45 (7.2)	28000 (8210)	27200 (7970)	26400 (7740)	25500 (7470)	24600 (7210)	23600 (6920)	22700 (6650)		
	40 (4.4)	25700 (7530)	25000 (7330)	24200 (7090)	23300 (6830)	22500 (6590)	21600 (6330)	20700 (6070)		
	35 (1.7)	23500 (6890)	22800 (6680)	22100 (6480)	21300 (6240)	20500 (6010)	19600 (5740)	18800 (5510)		
	30 (-1.1)	21400 (6270)	20800 (6100)	20100 (5890)	19300 (5660)	18600 (5450)	17900 (5250)	17000 (4980)		
	25 (-3.9)	19400 (5690)	18800 (5510)	18200 (5330)	17500 (5130)	16800 (4920)	16100 (4720)	15300 (4480)		
	20 (-6.7)	17500 (5130)	17000 (4980)	16400 (4810)	15800 (4630)	15100 (4430)	14500 (4250)	13800 (4040)		
	15 (-9.4)	15900 (4660)	15300 (4480)	14700 (4310)	14200 (4160)	13500 (3960)	12900 (3780)	12300 (3600)		
10 (-12.2)	14200 (4160)	13800 (4040)	13200 (3870)	12700 (3720)	12100 (3550)	11600 (3400)	10900 (3190)			
025H8 Compressor Model ZB19KCE	45 (7.2)	31800 (9320)	30900 (9060)	29800 (8730)	28800 (8440)	27600 (8090)	26600 (7800)	25300 (7410)		
	40 (4.4)	29000 (8500)	28000 (8210)	27200 (7970)	26100 (7650)	25200 (7390)	24200 (7090)	23000 (6740)		
	35 (1.7)	26300 (7710)	25400 (7440)	24600 (7210)	23700 (6950)	22800 (6680)	21800 (6390)	20900 (6130)		
	30 (-1.1)	23600 (6920)	22900 (6710)	22200 (6510)	21300 (6240)	20600 (6040)	19700 (5770)	18800 (5510)		
	25 (-3.9)	21200 (6210)	20600 (6040)	19800 (5800)	19100 (5600)	18500 (5420)	17700 (5190)	16900 (4950)		
	20 (-6.7)	19000 (5570)	18400 (5390)	17700 (5190)	17100 (5010)	16500 (4840)	15900 (4660)	15100 (4430)		
	15 (-9.4)	16900 (4950)	16400 (4810)	15800 (4630)	15200 (4450)	14700 (4310)	14100 (4130)	13500 (3960)		
10 (-12.2)	15000 (4400)	14500 (4250)	14000 (4100)	13500 (3960)	13000 (3810)	12600 (3690)	12100 (3550)			
BEZA030H8 Compressor Model ZB21KCE	45 (7.2)	42000 (12310)	40700 (11930)	39500 (11580)	38100 (11170)	36800 (10780)	35400 (10370)	33900 (9940)		
	40 (4.4)	38200 (11200)	37100 (10870)	35900 (10520)	34800 (10200)	33500 (9820)	32200 (9440)	31000 (9090)		
	35 (1.7)	34800 (10200)	33700 (9880)	32700 (9580)	31500 (9230)	30500 (8940)	29300 (8590)	28100 (8240)		
	30 (-1.1)	31500 (9230)	30600 (8970)	29500 (8650)	28600 (8380)	27500 (8060)	26500 (7770)	25400 (7440)		
	25 (-3.9)	28400 (8320)	27500 (8060)	26700 (7820)	25700 (7530)	24900 (7300)	23900 (7000)	23000 (6740)		
	20 (-6.7)	25500 (7470)	24800 (7270)	23900 (7000)	23200 (6800)	22400 (6560)	21500 (6300)	20700 (6070)		
	15 (-9.4)	22900 (6710)	22200 (6510)	21500 (6300)	20800 (6100)	20100 (5890)	19300 (5660)	18500 (5420)		
10 (-12.2)	20400 (5980)	19700 (5770)	19100 (5600)	18500 (5420)	17900 (5250)	17200 (5040)	16500 (4840)			
035H8 Compressor Model ZB26KCE	45 (7.2)	48500 (14210)	47100 (13800)	45800 (13420)	44200 (12950)	42700 (12510)	41100 (12050)	39400 (11550)		
	40 (4.4)	44700 (13100)	43400 (12720)	42000 (12310)	40600 (11900)	39200 (11490)	37600 (11020)	36000 (10550)		
	35 (1.7)	40800 (11960)	39600 (11610)	38300 (11220)	37000 (10840)	35600 (10430)	34100 (9990)	32700 (9580)		
	30 (-1.1)	37100 (10870)	35900 (10520)	34700 (10170)	33400 (9790)	32100 (9410)	30800 (9030)	29400 (8620)		
	25 (-3.9)	33400 (9790)	32300 (9470)	31200 (9140)	30000 (8790)	28900 (8470)	27600 (8090)	26300 (7710)		
	20 (-6.7)	30000 (8790)	29100 (8530)	28000 (8210)	27000 (7910)	25800 (7560)	24700 (7240)	23500 (6890)		
	15 (-9.4)	27000 (7910)	26100 (7650)	25200 (7390)	24300 (7120)	23200 (6800)	22200 (6510)	21100 (6180)		
10 (-12.2)	24500 (7180)	23600 (6920)	22800 (6680)	21900 (6420)	21000 (6150)	20200 (5920)	19100 (5600)			
BEZA040H8 Compressor Model ZB30KCE	45 (7.2)	54000 (15830)	52400 (15360)	50800 (14890)	49200 (14420)	47600 (13950)	45900 (13450)	44100 (12920)		
	40 (4.4)	49400 (14480)	47900 (14040)	46400 (13600)	44900 (13160)	43500 (12750)	41900 (12280)	40200 (11780)		
	35 (1.7)	44900 (13160)	43600 (12780)	42300 (12400)	41000 (12020)	39500 (11580)	38000 (11140)	36500 (10700)		
	30 (-1.1)	40700 (11930)	39600 (11610)	38300 (11220)	37100 (10870)	35800 (10490)	34400 (10080)	33200 (9730)		
	25 (-3.9)	36900 (10810)	35700 (10460)	34700 (10170)	33500 (9820)	32300 (9470)	31100 (9110)	29900 (8760)		
	20 (-6.7)	33200 (9730)	32200 (9440)	31200 (9140)	30100 (8820)	29100 (8530)	27900 (8180)	26900 (7880)		
	15 (-9.4)	29800 (8730)	28900 (8470)	27900 (8180)	27000 (7910)	26000 (7620)	25000 (7330)	24000 (7030)		
10 (-12.2)	26700 (7820)	25800 (7560)	25000 (7330)	24000 (7030)	23200 (6800)	22300 (6540)	21400 (6270)			

NOTES:

- Above ratings are based on mean temperature.
- To convert to dew point ratings, use 0.95 multiplier.

table continues on next page >>>

CAPACITY DATA - R407C
HIGH / MEDIUM TEMPERATURE (cont'd)

MODEL	SATURATED SUCTION TEMP. ° F ° C	CAPACITY BTU/H (WATTS) R407C AMBIENT TEMPERATURE °F (°C)									
		80 (26.6)	85 (29.4)	90 (32.2)	95 (35.0)	100 (37.8)	105 (40.6)	110 (43.3)			
BEZA050H8 Compressor Model ZB38KCE	45 (7.2)	68500 (20080)	66700 (19550)	64800 (18990)	62900 (18430)	60800 (17820)	58600 (17170)	56400 (16530)			
	40 (4.4)	62900 (18430)	61200 (17940)	59400 (17410)	57500 (16850)	55700 (16320)	53700 (15740)	51600 (15120)			
	35 (1.7)	57400 (16820)	55900 (16380)	54300 (15910)	52500 (15390)	50700 (14860)	48900 (14330)	47000 (13770)			
	30 (-1.1)	52300 (15330)	50800 (14890)	49400 (14480)	47800 (14010)	46100 (13510)	44400 (13010)	42700 (12510)			
	25 (-3.9)	47500 (13920)	46100 (13510)	44700 (13100)	43300 (12690)	41800 (12250)	40200 (11780)	38600 (11310)			
	20 (-6.7)	42800 (12540)	41700 (12220)	40300 (11810)	39100 (11460)	37700 (11050)	36200 (10610)	34900 (10230)			
	15 (-9.4)	38500 (11280)	37500 (10990)	36300 (10640)	35100 (10290)	33900 (9940)	32700 (9580)	31400 (9200)			
10 (-12.2)	34500 (10110)	33600 (9850)	32600 (9550)	31500 (9230)	30300 (8880)	29300 (8590)	28100 (8240)				
BEZA060H8 Compressor Model ZB45KCE	45 (7.2)	80900 (23710)	78800 (23090)	76500 (22420)	74300 (21780)	72000 (21100)	69700 (20430)	67200 (19690)			
	40 (4.4)	73800 (21630)	71900 (21070)	69900 (20490)	67800 (19870)	65700 (19250)	63500 (18610)	61300 (17970)			
	35 (1.7)	67200 (19690)	65400 (19170)	63600 (18640)	61700 (18080)	59900 (17550)	57900 (16970)	55800 (16350)			
	30 (-1.1)	61100 (17910)	59400 (17410)	57900 (16970)	56100 (16440)	54300 (15910)	52400 (15360)	50500 (14800)			
	25 (-3.9)	55300 (16210)	53900 (15800)	52400 (15360)	50700 (14860)	49100 (14390)	47400 (13890)	45600 (13360)			
	20 (-6.7)	50000 (14650)	48600 (14240)	47300 (13860)	45800 (13420)	44200 (12950)	42600 (12480)	41000 (12020)			
	15 (-9.4)	45000 (13190)	43800 (12840)	42400 (12430)	41100 (12050)	39600 (11610)	38100 (11170)	36600 (10730)			
10 (-12.2)	40400 (11840)	39200 (11490)	37900 (11110)	36600 (10730)	35300 (10350)	33900 (9940)	32400 (9500)				
BEZA061H8 Compressor Model ZB48KCE	45 (7.2)	96800 (28370)	94000 (27550)	91000 (26670)	88000 (25790)	84900 (24880)	81800 (23970)	78400 (22980)			
	40 (4.4)	87800 (25730)	85200 (24970)	82500 (24180)	79700 (23360)	76900 (22540)	73900 (21660)	70900 (20780)			
	35 (1.7)	79300 (23240)	76900 (22540)	74400 (21800)	71800 (21040)	69200 (20280)	66500 (19490)	63700 (18670)			
	30 (-1.1)	71200 (20870)	69000 (20220)	66800 (19580)	64400 (18870)	62000 (18170)	59400 (17410)	56800 (16650)			
	25 (-3.9)	63600 (18640)	61600 (18050)	59500 (17440)	57300 (16790)	55100 (16150)	52800 (15470)	50400 (14770)			
	20 (-6.7)	56500 (16560)	54600 (16000)	52700 (15440)	50700 (14860)	48600 (14240)	46500 (13630)	44200 (12950)			
	15 (-9.4)	49800 (14590)	48100 (14100)	46300 (13570)	44400 (13010)	42500 (12460)	40500 (11870)	38400 (11250)			
10 (-12.2)	43600 (12780)	42000 (12310)	40300 (11810)	38600 (11310)	36800 (10780)	34900 (10230)	33000 (9670)				
070H8 Compressor Model ZB58K5E	45 (7.2)	104000 (30480)	101100 (29630)	98000 (28720)	94800 (27780)	91500 (26820)	87900 (25760)	-			
	40 (4.4)	95200 (27900)	92500 (27110)	89700 (26290)	86600 (25380)	83500 (24470)	80100 (23470)	-			
	35 (1.7)	86900 (25470)	84400 (24740)	81700 (23940)	78900 (23120)	75900 (22240)	72800 (21340)	69500 (20370)			
	30 (-1.1)	79100 (23180)	76800 (22510)	74200 (21750)	71500 (20950)	68800 (20160)	65700 (19250)	62600 (18350)			
	25 (-3.9)	71700 (21010)	69500 (20370)	67100 (19660)	64600 (18930)	62000 (18170)	59100 (17320)	56200 (16470)			
	20 (-6.7)	64700 (18960)	62700 (18380)	60500 (17730)	58100 (17030)	55500 (16270)	52800 (15470)	50100 (14680)			
	15 (-9.4)	58300 (17090)	56300 (16500)	54200 (15880)	51900 (15210)	49600 (14540)	46900 (13740)	44200 (12950)			
10 (-12.2)	52200 (15300)	50300 (14740)	48300 (14160)	46200 (13540)	43900 (12870)	41400 (12130)	38700 (11340)				
BEZA076H8 Compressor Model ZB66K5E	45 (7.2)	122900 (36020)	119700 (35080)	116400 (34110)	113200 (33180)	109700 (32150)	106200 (31120)	102600 (30070)			
	40 (4.4)	112000 (32820)	109100 (31970)	106200 (31120)	103000 (30190)	99900 (29280)	96600 (28310)	93200 (27310)			
	35 (1.7)	101900 (29860)	99200 (29070)	96400 (28250)	93600 (27430)	90600 (26550)	87600 (25670)	84500 (24760)			
	30 (-1.1)	92400 (27080)	89900 (26350)	87400 (25610)	84700 (24820)	82000 (24030)	79200 (23210)	76300 (22360)			
	25 (-3.9)	83500 (24470)	81300 (23830)	78900 (23120)	76400 (22390)	74000 (21690)	71400 (20930)	68800 (20160)			
	20 (-6.7)	75300 (22070)	73200 (21450)	71100 (20840)	68800 (20160)	66500 (19490)	64200 (18820)	61700 (18080)			
	15 (-9.4)	67700 (19840)	65700 (19250)	63700 (18670)	61700 (18080)	59500 (17440)	57400 (16820)	55100 (16150)			
10 (-12.2)	60700 (17790)	58900 (17260)	57000 (16700)	55100 (16150)	53100 (15560)	51100 (14980)	49100 (14390)				
BEZA085H8 Compressor Model ZB76K5E	45 (7.2)	140800 (41260)	136900 (40120)	133000 (38980)	129000 (37810)	125000 (36630)	120800 (35400)	116400 (34110)			
	40 (4.4)	128800 (37750)	125300 (36720)	121700 (35670)	118000 (34580)	114200 (33470)	110400 (32350)	106500 (31210)			
	35 (1.7)	117500 (34440)	114200 (33470)	111000 (32530)	107600 (31530)	104200 (30540)	100600 (29480)	97000 (28430)			
	30 (-1.1)	106800 (31300)	103800 (30420)	100900 (29570)	97800 (28660)	94700 (27750)	91500 (26820)	88200 (25850)			
	25 (-3.9)	96800 (28370)	94200 (27610)	91500 (26820)	88600 (25970)	85800 (25150)	83000 (24320)	80000 (23450)			
	20 (-6.7)	87600 (25670)	85100 (24940)	82600 (24210)	80100 (23470)	77500 (22710)	74900 (21950)	72200 (21160)			
	15 (-9.4)	78900 (23120)	76700 (22480)	74400 (21800)	72100 (21130)	69800 (20460)	67500 (19780)	65100 (19080)			
10 (-12.2)	70900 (20780)	68900 (20190)	66900 (19610)	64900 (19020)	62800 (18400)	60700 (17790)	58500 (17140)				
BEZA110H8 Compressor Model ZB95K5E	45 (7.2)	179200 (52520)	174200 (51050)	168900 (49500)	163700 (47980)	158200 (46360)	152600 (44720)	146900 (43050)			
	40 (4.4)	163100 (47800)	158400 (46420)	153600 (45020)	148600 (43550)	143500 (42060)	138300 (40530)	133000 (38980)			
	35 (1.7)	147900 (43350)	143600 (42080)	139100 (40770)	134500 (39420)	129800 (38040)	125000 (36630)	120000 (35170)			
	30 (-1.1)	133800 (39210)	129800 (38040)	125600 (36810)	121400 (35580)	117000 (34290)	112500 (32970)	107900 (31620)			
	25 (-3.9)	120500 (35310)	116900 (34260)	113000 (33120)	109100 (31970)	105000 (30770)	100800 (29540)	96600 (28310)			
	20 (-6.7)	108300 (31740)	104800 (30710)	101300 (29690)	97700 (28630)	93900 (27520)	90100 (26410)	86100 (25230)			
	15 (-9.4)	96900 (28400)	93800 (27490)	90400 (26490)	87000 (25500)	83600 (24500)	80000 (23450)	76400 (22390)			
10 (-12.2)	86400 (25320)	83500 (24470)	80400 (23560)	77300 (22650)	74000 (21690)	70800 (20750)	67400 (19750)				
BEZA150H8 Compressor Model ZB114K5E	45 (7.2)	203700 (59700)	198000 (58030)	192200 (56330)	186100 (54540)	179900 (52720)	173600 (50880)	167200 (49000)			
	40 (4.4)	186100 (54540)	180800 (52990)	175400 (51400)	169800 (49760)	164100 (48090)	158200 (46360)	152300 (44630)			
	35 (1.7)	169500 (49680)	164500 (48210)	159600 (46770)	154500 (45280)	149100 (43700)	143700 (42110)	138200 (40500)			
	30 (-1.1)	153800 (45070)	149300 (43760)	144700 (42410)	140000 (41030)	135100 (39590)	130200 (38160)	125100 (36660)			
	25 (-3.9)	139100 (40770)	135000 (39560)	130800 (38330)	126500 (37070)	122000 (35750)	117400 (34410)	112800 (33060)			
	20 (-6.7)	125500 (36780)	121700 (35670)	117800 (34520)	113800 (33350)	109700 (32150)	105500 (30920)	101300 (29690)			
	15 (-9.4)	112800 (33060)	109300 (32030)	105700 (30980)	102200 (29950)	98400 (28840)	94500 (27700)	90600 (26550)			
10 (-12.2)	101000 (29600)	97900 (28690)	94600 (27720)	91200 (26730)	87800 (25730)	84200 (24680)	80600 (23620)				

NOTES:

- Above ratings are based on mean temperature.
- To convert to dew point ratings, use 0.95 multiplier.

MODEL	SAT. SUCT. TEMP.		CAPACITY BTU/H (WATTS) R404A R507								AMBIENT TEMPERATURE °F (°C)	
	° F	° C	80 (26.6)	85 (29.4)	90 (32.2)	95 (35)	100 (37.8)	105 (40.6)	110 (43.3)			
BEZA010H8 Compressor Model ZS09KAE	40 (4.4)		17900 (5250)	17300 (5070)	16600 (4860)	16000 (4690)	15300 (4480)	14600 (4280)	13900 (4070)			
	35 (1.7)		16300 (4780)	15700 (4600)	15100 (4430)	14500 (4250)	13900 (4070)	13300 (3900)	12700 (3720)			
	30 (-1.1)		14800 (4340)	14300 (4190)	13800 (4040)	13200 (3870)	12700 (3720)	12100 (3550)	11500 (3370)			
	25 (-3.9)		13500 (3960)	13000 (3810)	12500 (3660)	12000 (3520)	11500 (3370)	11000 (3220)	10500 (3080)			
	20 (-6.7)		12200 (3580)	11800 (3460)	11400 (3340)	10900 (3190)	10500 (3080)	10000 (2930)	9530 (2790)			
	15 (-9.4)		11100 (3250)	10700 (3140)	10300 (3020)	9920 (2910)	9510 (2790)	9090 (2660)	8660 (2540)			
	10 (-12.2)		10000 (2930)	9700 (2840)	9360 (2740)	9000 (2640)	8630 (2530)	8260 (2420)	7880 (2310)			
	5 (-15.0)		9080 (2660)	8770 (2570)	8460 (2480)	8150 (2390)	7820 (2290)	7490 (2200)	7140 (2090)			
	0 (-17.8)		8180 (2400)	7910 (2320)	7620 (2230)	7350 (2150)	7070 (2070)	6770 (1980)	6460 (1890)			
	-5 (-20.6)		7330 (2150)	7090 (2080)	6850 (2010)	6600 (1930)	6350 (1860)	6090 (1780)	5820 (1710)			
-10 (-23.3)		6520 (1910)	6310 (1850)	6100 (1790)	5880 (1720)	5660 (1660)	5430 (1590)	5190 (1520)				
BEZA011H8 Compressor Model ZS11KAE	40 (4.4)		21100 (6180)	20300 (5950)	19600 (5740)	18800 (5510)	18000 (5280)	17200 (5040)	16300 (4780)			
	35 (1.7)		19200 (5630)	18500 (5420)	17800 (5220)	17100 (5010)	16400 (4810)	15600 (4570)	14900 (4370)			
	30 (-1.1)		17500 (5130)	16900 (4950)	16300 (4780)	15600 (4570)	14900 (4370)	14300 (4190)	13600 (3990)			
	25 (-3.9)		16000 (4690)	15400 (4510)	14800 (4340)	14200 (4160)	13600 (3990)	13000 (3810)	12300 (3600)			
	20 (-6.7)		14500 (4250)	14000 (4100)	13500 (3960)	12900 (3780)	12400 (3630)	11800 (3460)	11300 (3310)			
	15 (-9.4)		13200 (3870)	12700 (3720)	12300 (3600)	11800 (3460)	11300 (3310)	10800 (3170)	10300 (3020)			
	10 (-12.2)		12000 (3520)	11600 (3400)	11100 (3250)	10700 (3140)	10300 (3020)	9810 (2880)	9330 (2730)			
	5 (-15.0)		10800 (3170)	10500 (3080)	10100 (2960)	9710 (2850)	9310 (2730)	8900 (2610)	8480 (2490)			
	0 (-17.8)		9780 (2870)	9450 (2770)	9110 (2670)	8780 (2570)	8420 (2470)	8060 (2360)	7690 (2250)			
	-5 (-20.6)		8780 (2570)	8480 (2490)	8190 (2400)	7890 (2310)	7580 (2220)	7270 (2130)	6930 (2030)			
-10 (-23.3)		7820 (2290)	7560 (2220)	7310 (2140)	7050 (2070)	6770 (1980)	6490 (1900)	6180 (1810)				
BEZA015H8 Compressor Model ZS13KAE	40 (4.4)		23500 (6890)	22600 (6620)	21700 (6360)	20800 (6100)	19900 (5830)	19000 (5570)	18100 (5300)			
	35 (1.7)		21400 (6270)	20600 (6040)	19800 (5800)	19000 (5570)	18200 (5330)	17300 (5070)	16500 (4840)			
	30 (-1.1)		19600 (5740)	18800 (5510)	18100 (5300)	17400 (5100)	16600 (4860)	15800 (4630)	15000 (4400)			
	25 (-3.9)		17900 (5250)	17200 (5040)	16500 (4840)	15800 (4630)	15200 (4450)	14400 (4220)	13700 (4020)			
	20 (-6.7)		16300 (4780)	15700 (4600)	15100 (4430)	14400 (4220)	13800 (4040)	13200 (3870)	12500 (3660)			
	15 (-9.4)		14800 (4340)	14300 (4190)	13700 (4020)	13200 (3870)	12600 (3690)	12000 (3520)	11400 (3340)			
	10 (-12.2)		13400 (3930)	13000 (3810)	12500 (3660)	12000 (3520)	11500 (3370)	11000 (3220)	10400 (3050)			
	5 (-15.0)		12200 (3580)	11700 (3430)	11300 (3310)	10900 (3190)	10400 (3050)	9960 (2920)	9470 (2780)			
	0 (-17.8)		11000 (3220)	10600 (3110)	10200 (2990)	9850 (2890)	9450 (2770)	9030 (2650)	8590 (2520)			
	-5 (-20.6)		9880 (2900)	9540 (2800)	9210 (2700)	8870 (2600)	8520 (2500)	8150 (2390)	7760 (2270)			
-10 (-23.3)		8810 (2580)	8520 (2500)	8220 (2410)	7930 (2320)	7610 (2230)	7290 (2140)	6940 (2030)				
BEZA020H8 Compressor Model ZB15KCE	40 (4.4)		26300 (7710)	25200 (7390)	24200 (7090)	23100 (6770)	22000 (6450)	20900 (6130)	19700 (5770)			
	35 (1.7)		24300 (7120)	23400 (6860)	22400 (6660)	21400 (6270)	20300 (5950)	19300 (5660)	18200 (5330)			
	30 (-1.1)		22500 (6590)	21600 (6330)	20600 (6040)	19700 (5770)	18800 (5510)	17800 (5220)	16800 (4920)			
	25 (-3.9)		20700 (6070)	19800 (5800)	19000 (5570)	18200 (5330)	17300 (5070)	16400 (4810)	15500 (4540)			
	20 (-6.7)		19000 (5570)	18200 (5330)	17400 (5100)	16700 (4890)	15900 (4660)	15000 (4400)	14200 (4160)			
	15 (-9.4)		17300 (5070)	16700 (4890)	15900 (4660)	15200 (4450)	14500 (4250)	13700 (4020)	13000 (3810)			
	10 (-12.2)		15800 (4630)	15200 (4450)	14500 (4250)	13900 (4070)	13200 (3870)	12500 (3660)	11800 (3460)			
	5 (-15.0)		14300 (4190)	13800 (4040)	13200 (3870)	12600 (3690)	12000 (3520)	11400 (3340)	10700 (3140)			
	0 (-17.8)		13000 (3810)	12500 (3660)	11900 (3490)	11400 (3340)	10800 (3170)	10300 (3020)	9700 (2840)			
	-5 (-20.6)		11700 (3430)	11200 (3280)	10800 (3170)	10300 (3020)	9800 (2870)	9300 (2730)	8700 (2550)			
-10 (-23.3)		10500 (3080)	10100 (2960)	9600 (2810)	9200 (2700)	8800 (2580)	8300 (2430)	7800 (2290)				
BEZA025H8 Compressor Model ZB19KCE	40 (4.4)		32800 (9610)	31500 (9230)	30100 (8820)	28800 (8440)	27400 (8030)	26000 (7620)	24600 (7210)			
	35 (1.7)		30400 (8910)	29100 (8530)	27900 (8180)	26700 (7820)	25400 (7440)	24100 (7060)	22800 (6680)			
	30 (-1.1)		28000 (8210)	26900 (7880)	25800 (7560)	24600 (7210)	23400 (6860)	22200 (6510)	21000 (6150)			
	25 (-3.9)		25800 (7560)	24800 (7270)	23700 (6950)	22700 (6650)	21600 (6330)	20500 (6010)	19300 (5660)			
	20 (-6.7)		23700 (6950)	22700 (6650)	21800 (6390)	20800 (6100)	19800 (5800)	18800 (5510)	17700 (5190)			
	15 (-9.4)		21600 (6330)	20800 (6100)	19900 (5830)	19000 (5570)	18100 (5300)	17200 (5040)	16200 (4750)			
	10 (-12.2)		19700 (5770)	18900 (5540)	18100 (5300)	17300 (5070)	16500 (4840)	15600 (4570)	14800 (4340)			
	5 (-15.0)		17900 (5250)	17200 (5040)	16500 (4840)	15700 (4600)	15000 (4400)	14200 (4160)	13400 (3930)			
	0 (-17.8)		16200 (4750)	15600 (4570)	14900 (4370)	14200 (4160)	13500 (3960)	12800 (3750)	12100 (3550)			
	-5 (-20.6)		14600 (4280)	14000 (4100)	13400 (3930)	12800 (3750)	12200 (3580)	11600 (3400)	10900 (3190)			
-10 (-23.3)		13100 (3840)	12600 (3690)	12000 (3520)	11500 (3370)	10900 (3190)	10300 (3020)	9700 (2840)				

table continues on next page >>>

MODEL	SAT. SUCT. TEMP.		CAPACITY BTU/H (WATTS) R404A R507 AMBIENT TEMPERATURE °F (°C)												
	° F	° C	80 (26.6)	85 (29.4)	90 (32.2)	95 (35)	100 (37.8)	105 (40.6)	110 (43.3)						
BEZA030H8 Compressor Model ZB21KCE	40 (4.4)		41200 (12070)	39700 (11630)	38100 (11170)	36400 (10670)	34800 (10200)	33100 (9700)	31400 (9200)						
	35 (1.7)		38100 (11166)	36600 (10727)	35100 (10287)	33600 (9848)	32100 (9408)	30600 (8968)	29000 (8499)						
	30 (-1.1)		35000 (10258)	33700 (9877)	32300 (9467)	30900 (9056)	29500 (8646)	28100 (8236)	26700 (7825)						
	25 (-3.9)		32100 (9408)	30900 (9056)	29700 (8705)	28400 (8324)	27100 (7943)	25800 (7562)	24400 (7151)						
	20 (-6.7)		29400 (8617)	28300 (8294)	27100 (7943)	26000 (7620)	24800 (7268)	23600 (6917)	22300 (6536)						
	15 (-9.4)		26800 (7855)	25800 (7562)	24700 (7239)	23700 (6946)	22600 (6624)	21500 (6301)	20400 (5979)						
	10 (-12.2)		24300 (7122)	23400 (6858)	22500 (6594)	21500 (6301)	20500 (6008)	19500 (5715)	18500 (5422)						
	5 (-15.0)		22000 (6448)	21200 (6213)	20400 (5979)	19500 (5715)	18600 (5451)	17700 (5188)	16700 (4894)						
	0 (-17.8)		19900 (5832)	19100 (5598)	18400 (5393)	17600 (5158)	16800 (4924)	15900 (4660)	15100 (4426)						
	-5 (-20.6)		17900 (5246)	17200 (5041)	16500 (4836)	15800 (4631)	15100 (4426)	14300 (4191)	13500 (3957)						
-10 (-23.3)		16000 (4689)	15400 (4513)	14800 (4338)	14100 (4132)	13500 (3957)	12800 (3751)	12100 (3546)							
BEZA035H8 Compressor Model ZB26KCE	40 (4.4)		47100 (13800)	45200 (13250)	43400 (12720)	41500 (12160)	39500 (11580)	37600 (11020)	35600 (10430)						
	35 (1.7)		43500 (12749)	41800 (12251)	40100 (11753)	38300 (11225)	36500 (10698)	34700 (10170)	32900 (9642)						
	30 (-1.1)		40100 (11753)	38500 (11284)	36900 (10815)	35300 (10346)	33700 (9877)	32000 (9379)	30300 (8880)						
	25 (-3.9)		36800 (10785)	35400 (10375)	33900 (9936)	32500 (9525)	30900 (9056)	29400 (8617)	27800 (8148)						
	20 (-6.7)		33700 (9877)	32400 (9496)	31100 (9115)	29700 (8705)	28300 (8294)	26900 (7884)	25500 (7474)						
	15 (-9.4)		30800 (9027)	29600 (8675)	28400 (8324)	27200 (7972)	25900 (7591)	24600 (7210)	23200 (6800)						
	10 (-12.2)		28000 (8206)	27000 (7913)	25800 (7562)	24700 (7239)	23600 (6917)	22400 (6565)	21100 (6184)						
	5 (-15.0)		25400 (7444)	24400 (7151)	23400 (6858)	22400 (6565)	21400 (6272)	20300 (5950)	19200 (5627)						
	0 (-17.8)		23000 (6741)	22100 (6477)	21200 (6213)	20200 (5920)	19300 (5657)	18300 (5363)	17300 (5070)						
	-5 (-20.6)		20700 (6067)	19900 (5832)	19100 (5598)	18200 (5334)	17400 (5100)	16500 (4836)	15500 (4543)						
-10 (-23.3)		18500 (5422)	17800 (5217)	17100 (5012)	16300 (4777)	15500 (4543)	14700 (4308)	13900 (4074)							
BEZA040H8 Compressor Model ZB30KCE	40 (4.4)		52800 (15470)	50600 (14830)	48500 (14210)	46300 (13570)	44000 (12900)	41700 (12220)	39400 (11550)						
	35 (1.7)		48800 (14302)	46900 (13746)	44800 (13130)	42800 (12544)	40700 (11928)	38600 (11313)	36400 (10668)						
	30 (-1.1)		45000 (13189)	43200 (12661)	41400 (12134)	39500 (11577)	37600 (11020)	35600 (10434)	33600 (9848)						
	25 (-3.9)		41400 (12134)	39700 (11635)	38000 (11137)	36300 (10639)	34500 (10111)	32700 (9584)	30900 (9056)						
	20 (-6.7)		37900 (11108)	36400 (10668)	34800 (10199)	33200 (9730)	31600 (9261)	29900 (8763)	28200 (8265)						
	15 (-9.4)		34600 (10141)	33200 (9730)	31700 (9291)	30300 (8880)	28800 (8441)	27300 (8001)	25700 (7532)						
	10 (-12.2)		31400 (9203)	30100 (8822)	28800 (8441)	27500 (8060)	26100 (7649)	24700 (7239)	23300 (6829)						
	5 (-15.0)		28400 (8324)	27200 (7972)	26000 (7620)	24800 (7268)	23600 (6917)	22300 (6536)	21000 (6155)						
	0 (-17.8)		25500 (7474)	24500 (7181)	23400 (6858)	22300 (6536)	21100 (6184)	20000 (5862)	18800 (5510)						
	-5 (-20.6)		22800 (6682)	21900 (6419)	20900 (6125)	19900 (5832)	18800 (5510)	17700 (5188)	16600 (4865)						
-10 (-23.3)		20300 (5950)	19400 (5686)	18500 (5422)	17600 (5158)	16600 (4865)	15600 (4572)	14600 (4279)							
BEZA050H8 Compressor Model ZB38KCE	40 (4.4)		65600 (19230)	63000 (18460)	60400 (17700)	57700 (16910)	55000 (16120)	52200 (15300)	49400 (14480)						
	35 (1.7)		60800 (17819)	58300 (17087)	55900 (16383)	53400 (15651)	50900 (14918)	48300 (14156)	45700 (13394)						
	30 (-1.1)		56100 (16442)	53800 (15768)	51600 (15123)	49300 (14449)	47000 (13775)	44600 (13072)	42200 (12368)						
	25 (-3.9)		51600 (15123)	49500 (14508)	47500 (13921)	45400 (13306)	43200 (12661)	41000 (12016)	38800 (11372)						
	20 (-6.7)		47300 (13863)	45400 (13306)	43500 (12749)	41600 (12192)	39600 (11606)	37600 (11020)	35500 (10404)						
	15 (-9.4)		43200 (12661)	41500 (12163)	39800 (11665)	38000 (11137)	36200 (10610)	34400 (10082)	32500 (9525)						
	10 (-12.2)		39400 (11547)	37900 (11108)	36300 (10639)	34700 (10170)	33000 (9672)	31300 (9174)	29600 (8675)						
	5 (-15.0)		35800 (10492)	34400 (10082)	32900 (9642)	31500 (9232)	30000 (8792)	28400 (8324)	26800 (7855)						
	0 (-17.8)		32300 (9467)	31100 (9115)	29800 (8734)	28500 (8353)	27100 (7943)	25700 (7532)	24200 (7093)						
	-5 (-20.6)		29100 (8529)	28000 (8206)	26800 (7855)	25600 (7503)	24400 (7151)	23100 (6770)	21800 (6389)						
-10 (-23.3)		26100 (7649)	25100 (7356)	24100 (7063)	23000 (6741)	21900 (6419)	20700 (6067)	19500 (5715)							
BEZA060H8 Compressor Model ZB45KCE	40 (4.4)		80000 (23450)	76900 (22540)	73800 (21630)	70600 (20690)	67400 (19750)	64100 (18790)	60700 (17790)						
	35 (1.7)		74000 (21688)	71100 (20838)	68200 (19988)	65200 (19109)	62200 (18230)	59200 (17351)	56100 (16442)						
	30 (-1.1)		68100 (19959)	65500 (19197)	62800 (18406)	60100 (17614)	57300 (16794)	54500 (15973)	51600 (15123)						
	25 (-3.9)		62600 (18347)	60200 (17644)	57700 (16911)	55200 (16178)	52700 (15445)	50100 (14683)	47400 (13892)						
	20 (-6.7)		57300 (16794)	55100 (16149)	52900 (15504)	50600 (14830)	48200 (14127)	45800 (13423)	43400 (12720)						
	15 (-9.4)		52300 (15328)	50300 (14742)	48300 (14156)	46200 (13540)	44000 (12896)	41800 (12251)	39600 (11606)						
	10 (-12.2)		47600 (13951)	45800 (13423)	43900 (12866)	42000 (12309)	40100 (11753)	38100 (11166)	36000 (10551)						
	5 (-15.0)		43100 (12632)	41500 (12163)	39800 (11665)	38100 (11166)	36300 (10639)	34500 (10111)	32600 (9555)						
	0 (-17.8)		39000 (11430)	37500 (10991)	36000 (10551)	34400 (10082)	32800 (9613)	31100 (9115)	29400 (8617)						
	-5 (-20.6)		35000 (10258)	33700 (9877)	32400 (9496)	30900 (9056)	29500 (8646)	28000 (8206)	26400 (7737)						
-10 (-23.3)		31400 (9203)	30200 (8851)	29000 (8499)	27700 (8118)	26400 (7737)	25100 (7356)	23600 (6917)							

table continues on next page >>>

CAPACITY DATA - R404A R507
MEDIUM TEMPERATURE (cont'd)

MODEL	SAT. SUCT. TEMP.		CAPACITY BTU/H (WATTS) R404A R507										AMBIENT TEMPERATURE °F (°C)											
	BEZA	° F	° C	80 (26.6)	85 (29.4)	90 (32.2)	95 (35)	100 (37.8)	105 (40.6)	110 (43.3)	80 (26.6)	85 (29.4)	90 (32.2)	95 (35)	100 (37.8)	105 (40.6)	110 (43.3)	80 (26.6)	85 (29.4)	90 (32.2)	95 (35)	100 (37.8)	105 (40.6)	110 (43.3)
BEZA061H8 Compressor Model ZB48KCE	40 (4.4)	87000 (25500)	83600 (24500)	80000 (23450)	76400 (22390)	72800 (21340)	69100 (20250)	65300 (19140)	61500 (18030)	57700 (16920)	54000 (15810)	50200 (14700)	46400 (13590)	42600 (12480)	38800 (11370)	35000 (10260)	31200 (9150)	27400 (8040)	23600 (6930)	19800 (5820)	16000 (4710)	12200 (3600)	8400 (2490)	4600 (1380)
	35 (1.7)	80700 (23650)	77400 (22680)	74200 (21750)	70800 (20750)	67400 (19750)	64000 (18750)	60600 (17750)	57200 (16750)	53800 (15750)	50400 (14750)	47000 (13750)	43600 (12750)	40200 (11750)	36800 (10750)	33400 (9750)	30000 (8750)	26600 (7750)	23200 (6750)	19800 (5750)	16400 (4750)	13000 (3750)	9600 (2750)	6200 (1750)
	30 (-1.1)	74500 (21830)	71500 (20950)	68500 (20080)	65400 (19170)	62300 (18260)	59100 (17320)	55800 (16350)	52600 (15400)	49400 (14450)	46200 (13500)	43000 (12550)	39800 (11600)	36600 (10650)	33400 (9700)	30200 (8750)	27000 (7800)	23800 (6850)	20600 (5900)	17400 (4950)	14200 (4000)	11000 (3050)	7800 (2100)	4600 (1150)
	25 (-3.9)	68600 (20100)	65900 (19310)	63100 (18490)	60300 (17670)	57400 (16820)	54400 (15940)	51400 (15060)	48400 (14180)	45400 (13300)	42400 (12420)	39400 (11540)	36400 (10660)	33400 (9780)	30400 (8900)	27400 (8020)	24400 (7140)	21400 (6260)	18400 (5380)	15400 (4500)	12400 (3620)	9400 (2740)	6400 (1860)	3400 (980)
	20 (-6.7)	63000 (18460)	60500 (17730)	57900 (16970)	55300 (16210)	52700 (15440)	49900 (14620)	47200 (13830)	44400 (13040)	41600 (12250)	38800 (11460)	36000 (10670)	33200 (9880)	30400 (9090)	27600 (8300)	24800 (7510)	22000 (6720)	19200 (5930)	16400 (5140)	13600 (4350)	10800 (3560)	8000 (2770)	5200 (1980)	2400 (690)
	15 (-9.4)	57600 (16880)	55300 (16210)	53000 (15530)	50600 (14830)	48200 (14130)	45700 (13390)	43100 (12630)	40500 (11870)	37900 (11110)	35300 (10350)	32700 (9590)	30100 (8830)	27500 (8070)	24900 (7310)	22300 (6550)	19700 (5790)	17100 (5030)	14500 (4270)	11900 (3510)	9300 (2750)	6700 (1990)	4100 (1230)	1500 (470)
	10 (-12.2)	52500 (15390)	50500 (14800)	48300 (14160)	46200 (13540)	43900 (12870)	41700 (12220)	39300 (11520)	36900 (10820)	34500 (10120)	32100 (9420)	29700 (8720)	27300 (8020)	24900 (7320)	22500 (6620)	20100 (5920)	17700 (5220)	15300 (4520)	12900 (3820)	10500 (3120)	8100 (2420)	5700 (1720)	3300 (920)	900 (260)
	5 (-15.0)	47700 (13980)	45800 (13420)	43900 (12870)	41900 (12280)	39900 (11690)	37800 (11080)	35700 (10470)	33600 (9860)	31500 (9250)	29400 (8640)	27300 (8030)	25200 (7420)	23100 (6810)	21000 (6200)	18900 (5590)	16800 (4980)	14700 (4370)	12600 (3760)	10500 (3150)	8400 (2540)	6300 (1930)	4200 (1320)	2100 (610)
	0 (-17.8)	43200 (12660)	41500 (12160)	39800 (11660)	38000 (11140)	36100 (10580)	34200 (10020)	32300 (9470)	30400 (8910)	28500 (8350)	26600 (7790)	24700 (7230)	22800 (6670)	20900 (6110)	19000 (5550)	17100 (4990)	15200 (4430)	13300 (3870)	11400 (3310)	9500 (2750)	7600 (2190)	5700 (1630)	3800 (1070)	1900 (510)
	-5 (-20.6)	38900 (11400)	37400 (10960)	35800 (10490)	34200 (10020)	32500 (9520)	30800 (9030)	29200 (8560)	27600 (8090)	26000 (7620)	24400 (7150)	22800 (6680)	21200 (6210)	19600 (5740)	18000 (5270)	16400 (4800)	14800 (4330)	13200 (3860)	11600 (3390)	10000 (2920)	8400 (2450)	6800 (1980)	5200 (1510)	3600 (1040)
-10 (-23.3)	34900 (10230)	33600 (9850)	32200 (9440)	30700 (9000)	29200 (8560)	27600 (8090)	26000 (7620)	24400 (7150)	22800 (6680)	21200 (6210)	19600 (5740)	18000 (5270)	16400 (4800)	14800 (4330)	13200 (3860)	11600 (3390)	10000 (2920)	8400 (2450)	6800 (1980)	5200 (1510)	3600 (1040)	2000 (570)	400 (110)	
BEZA070H8 Compressor Model ZB58K5E	40 (4.4)	96500 (28280)	92600 (27140)	88600 (25970)	84600 (24790)	80500 (23590)	76300 (22360)	71900 (21070)	67400 (19730)	62800 (18340)	58100 (16900)	53400 (15410)	48600 (14000)	43700 (12570)	38800 (11140)	33900 (9710)	29000 (8280)	24100 (6850)	19200 (5420)	14300 (3990)	9400 (2560)	4500 (1130)	0 (0)	0 (0)
	35 (1.7)	89400 (26200)	85800 (25150)	82200 (24090)	78400 (22980)	74600 (21860)	70700 (20720)	66600 (19520)	62400 (18270)	58100 (17030)	53700 (15790)	49300 (14550)	44800 (13310)	40300 (12070)	35800 (10830)	31300 (9590)	26800 (8350)	22300 (7110)	17800 (5870)	13300 (4630)	8800 (3390)	4300 (1150)	0 (0)	0 (0)
	30 (-1.1)	82600 (24210)	79300 (23240)	76000 (22270)	72600 (21280)	69000 (20220)	65300 (19140)	61500 (18030)	57600 (16920)	53700 (15810)	49700 (14700)	45700 (13590)	41600 (12480)	37500 (11370)	33400 (10260)	29300 (9150)	25200 (8040)	21100 (6930)	17000 (5820)	12900 (4710)	8800 (3600)	4700 (1260)	0 (0)	0 (0)
	25 (-3.9)	76200 (22330)	73200 (21450)	70100 (20540)	66900 (19610)	63600 (18640)	60200 (17640)	56600 (16590)	52900 (15540)	49100 (14490)	45300 (13440)	41400 (12390)	37400 (11340)	33300 (10290)	29200 (9240)	25100 (8190)	21000 (7140)	16900 (6090)	12800 (5040)	8700 (3990)	4600 (1240)	0 (0)	0 (0)	0 (0)
	20 (-6.7)	70000 (20510)	67300 (19720)	64400 (18870)	61500 (18020)	58400 (17120)	55200 (16180)	51800 (15180)	48200 (14130)	44500 (13080)	40700 (12030)	36800 (10980)	32800 (9930)	28700 (8880)	24600 (7830)	20500 (6780)	16400 (5730)	12300 (4680)	8200 (3630)	4100 (1580)	0 (0)	0 (0)	0 (0)	0 (0)
	15 (-9.4)	64200 (18820)	61600 (18050)	59000 (17290)	56300 (16500)	53400 (15650)	50400 (14770)	47200 (13830)	43800 (12840)	40300 (11850)	36700 (10860)	33000 (9870)	29300 (8880)	25500 (7890)	21700 (6900)	17900 (5910)	14100 (4920)	10300 (3930)	6500 (2940)	2700 (1950)	0 (0)	0 (0)	0 (0)	0 (0)
	10 (-12.2)	58600 (17170)	56300 (16500)	53800 (15770)	51200 (15010)	48500 (14210)	45700 (13390)	42600 (12480)	39300 (11520)	35900 (10520)	32400 (9520)	28800 (8520)	25100 (7520)	21400 (6520)	17700 (5520)	14000 (4520)	10300 (3520)	6600 (2520)	2900 (1520)	0 (0)	0 (0)	0 (0)	0 (0)	0 (0)
	5 (-15.0)	53200 (15590)	51100 (14980)	48800 (14300)	46400 (13600)	43800 (12840)	41000 (12020)	38100 (11170)	35000 (10320)	31900 (9470)	28800 (8620)	25600 (7770)	22400 (6920)	19200 (6070)	16000 (5220)	12800 (4370)	9600 (3520)	6400 (2670)	3200 (1820)	0 (0)	0 (0)	0 (0)	0 (0)	0 (0)
	0 (-17.8)	48100 (14100)	46100 (13510)	43900 (12870)	41600 (12190)	39100 (11460)	36500 (10700)	33600 (9850)	30500 (9000)	27400 (8150)	24300 (7300)	21200 (6450)	18100 (5600)	15000 (4750)	11900 (3900)	8800 (3050)	5700 (2200)	2600 (1350)	0 (0)	0 (0)	0 (0)	0 (0)	0 (0)	0 (0)
	-5 (-20.6)	43200 (12660)	41200 (12070)	39200 (11490)	36900 (10810)	34500 (10110)	31900 (9350)	29200 (8560)	26500 (7770)	23800 (6980)	21100 (6190)	18400 (5400)	15700 (4610)	13000 (3820)	10300 (3030)	7600 (2240)	4900 (1450)	2200 (660)	0 (0)	0 (0)	0 (0)	0 (0)	0 (0)	0 (0)
-10 (-23.3)	38400 (11250)	36500 (10700)	34500 (10110)	32300 (9470)	29900 (8760)	27400 (8030)	24600 (7210)	21900 (6400)	19400 (5690)	16900 (4980)	14400 (4270)	11900 (3560)	9400 (2850)	6900 (2140)	4400 (1430)	1900 (520)	0 (0)	0 (0)	0 (0)	0 (0)	0 (0)	0 (0)	0 (0)	
BEZA076H8 Compressor Model ZB66K5E	40 (4.4)	116400 (34110)	111600 (32710)	106900 (31330)	102100 (29920)	97200 (28490)	92300 (27050)	87300 (25590)	82300 (24150)	77300 (22710)	72300 (21270)	67300 (20000)	62300 (18730)	57300 (17460)	52300 (16190)	47300 (14920)	42300 (13650)	37300 (12380)	32300 (11110)	27300 (9840)	22300 (8570)	17300 (7300)	12300 (6030)	7300 (4760)
	35 (1.7)	107600 (31530)	103300 (30270)	98900 (28980)	94500 (27700)	90100 (26410)	85500 (25060)	80900 (23710)	76300 (22360)	71700 (21010)	67100 (19660)	62500 (18310)	57900 (16960)	53300 (15610)	48700 (14260)	44100 (12910)	39500 (11560)	34900 (10210)	29300 (8860)	24700 (7510)	19100 (6060)	14500 (4610)	9900 (2960)	5300 (1510)
	30 (-1.1)	99200 (29070)	95300 (27930)	91300 (26760)	87300 (25590)	83200 (24380)	79000 (23150)	74800 (21920)	70600 (20690)	66400 (19460)	62200 (18230)	58000 (17000)	53800 (15770)	49600 (14540)	45400 (13310)	41200 (12080)	37000 (10850)	32800 (9620)	28600 (8390)	24400 (7160)	20200 (5930)	16000 (4700)	11800 (3470)	7600 (2240)
	25 (-3.9)	91200 (26730)	87700 (25700)	84000 (24620)	80400 (23560)	76600 (22450)	72800 (21340)	69000 (20220)	65200 (19110)	61400 (18000)	57600 (16890)	53800 (15780)	49900 (14670)	46000 (13560)	42100 (12450)	38200 (11340)	34300 (10230)	30400 (9120)	26500 (8010)	22600 (6900)	18700 (5790)	14800 (4680)	10900 (3570)	6900 (2360)
	20 (-6.7)	83600 (24500)	80400 (23560)	77100 (22600)	73800 (21630)	70400 (20630)	66900 (19610)	63400 (18580)	59800 (17560)	56200 (16540)	52600 (15520)	49000 (14500)	45400 (13480)	41800 (12460)	38200 (11440)	34600 (10420)	31000 (9400)	27400 (8380)	23800 (7360)	19200 (6340)	15600 (5320)	12000 (4300)	8400 (2780)	4800 (1460)
	15 (-9.4)	76400 (22390)	73500 (21540)	70600 (20690)	67500 (19780)	64400 (18870)	61300 (17970)	58100 (17060)	54900 (16150)	51700 (15240)	48500 (14330)	45300 (13420)	42100 (12510)	38900 (11600)	35700 (10690)	32500 (9780)	29300 (8870)	26100 (7960)	22900 (7050)	19700 (6140)	16500 (5230)	13300 (4320)	10100 (3410)	6900 (2300)
	10 (-12.2)	69600 (20400)	67000 (19640)	64300 (18840)	61600 (18050)	58800 (17230)	55900 (16380)	52900 (15530)	49900 (14680)	46900 (13830)	43900 (12980)	40900 (12130)	37900 (11280)	34900 (10430)	31900 (9580)	28900 (8730)	25900 (7880)	22900 (6930)	19900 (6080)	16900 (5130)	13900 (4280)	10900 (3430)	7900 (2520)	4900 (1410)
	5 (-15.0)	63200 (18520)	60800 (17820)	58400 (17120)	55900 (16380)	53400 (15650)	50800 (14890)	48100 (14100)	45400 (13310)	42700 (12520)	40000 (11730)	37300 (10940)	34600 (10150)	31900 (9360)	29200 (8570)	26500 (7780)	23800 (6990)	21100 (6200)	18400 (5410)	15700 (4620)	13000 (3830)	10300 (3040)	7600 (2250)	4900 (1460)
	0 (-17.8)	57100 (16730)	55000 (16120)	52800 (15470)	50500 (14800)	48200 (14130)	45800 (13420)	43400 (12710)	41000 (12000)	38600 (11290)	36200 (10580)	33800 (9870)	31400 (9160)	29000 (8450)	26600 (7740)	24200 (7030)	21800 (6320)	19400 (5610)	17000 (4900)	14600 (4190)	12200 (3480)	9800 (2770)	7400 (2060)	5000 (1550)
	-5 (-20.6)	51400 (15060)	49500 (14510)	47500 (13920)	45400 (13310)	43300 (12690)	41100 (12050)	38900 (11400)	36700 (10750)	34500 (10100)	32300 (9450)	30100 (8800)	27900 (8150)	25700 (7500)	23500 (6850)	21300 (6200)	19100 (5550)	16900 (4900)	14700 (4250)	12500 (3600)	10300 (2950)	8100 (2300)	5900 (1690)	3700 (1040)
-10 (-23.3)	46000 (13480)	44200 (12950)	42400 (12430)	40600 (11900)	38600 (11310)	36600 (10730)	34500																	

MODEL BEZA	SATURATED SUCTION TEMPERATURE		CAPACITY BTU/H (WATTS) R404A R507										AMBIENT TEMPERATURE °F (°C)			
	° F	° C	80	(26.6)	85	(29.4)	90	(32.2)	95	(35)	100	(37.8)	105	(40.6)	110	(43.3)
	BEZA020L8	0	(-17.8)	13200	(3869)	12700	(3722)	12200	(3576)	11700	(3429)	11200	(3283)	10700	(3136)	10200
	-5	(-20.6)	11900	(3488)	11500	(3370)	11100	(3253)	10600	(3107)	10200	(2989)	9700	(2843)	9300	(2726)
	-10	(-23.3)	10800	(3165)	10400	(3048)	10000	(2931)	9600	(2814)	9200	(2696)	8800	(2579)	8500	(2491)
	-15	(-26.1)	9700	(2843)	9400	(2755)	9100	(2667)	8700	(2550)	8400	(2462)	8000	(2345)	7700	(2257)
Compressor Model ZF06K4E	-20	(-28.9)	8700	(2550)	8500	(2491)	8100	(2374)	7800	(2286)	7500	(2198)	7200	(2110)	6900	(2022)
	-25	(-31.7)	7800	(2286)	7600	(2227)	7300	(2140)	7000	(2052)	6700	(1964)	6400	(1876)	6200	(1817)
	-30	(-34.4)	7000	(2052)	6700	(1964)	6500	(1905)	6200	(1817)	6000	(1758)	5700	(1671)	5500	(1612)
	-35	(-37.2)	6100	(1788)	5900	(1729)	5700	(1671)	5500	(1612)	5300	(1553)	5000	(1465)	4800	(1407)
	-40	(-40.0)	5400	(1583)	5200	(1524)	5000	(1465)	4800	(1407)	4500	(1319)	4300	(1260)	4200	(1231)
BEZA025L8	0	(-17.8)	16700	(4894)	16100	(4719)	15500	(4543)	14900	(4367)	14200	(4162)	13500	(3957)	12800	(3751)
	-5	(-20.6)	15100	(4426)	14600	(4279)	14100	(4132)	13500	(3957)	12900	(3781)	12300	(3605)	11700	(3429)
	-10	(-23.3)	13700	(4015)	13200	(3869)	12700	(3722)	12200	(3576)	11700	(3429)	11200	(3283)	10600	(3107)
	-15	(-26.1)	12300	(3605)	11900	(3488)	11500	(3370)	11000	(3224)	10600	(3107)	10100	(2960)	9600	(2814)
Compressor Model ZF08K4E	-20	(-28.9)	11000	(3224)	10700	(3136)	10300	(3019)	9900	(2902)	9500	(2784)	9100	(2667)	8600	(2521)
	-25	(-31.7)	9900	(2902)	9500	(2784)	9200	(2696)	8900	(2608)	8500	(2491)	8100	(2374)	7700	(2257)
	-30	(-34.4)	8900	(2579)	8500	(2491)	8200	(2403)	7900	(2315)	7600	(2227)	7200	(2110)	6900	(2022)
	-35	(-37.2)	7800	(2286)	7500	(2198)	7300	(2140)	7000	(2052)	6700	(1964)	6400	(1876)	6100	(1788)
	-40	(-40.0)	6900	(2022)	6600	(1934)	6400	(1876)	6200	(1817)	5900	(1729)	5600	(1641)	5300	(1553)
BEZA030L8	0	(-17.8)	18400	(5393)	17700	(5188)	17000	(4982)	16300	(4777)	15600	(4572)	14800	(4338)	14100	(4132)
	-5	(-20.6)	16700	(4894)	16100	(4719)	15500	(4543)	14800	(4338)	14200	(4162)	13500	(3957)	12800	(3751)
	-10	(-23.3)	15100	(4426)	14600	(4279)	14000	(4103)	13500	(3957)	12900	(3781)	12300	(3605)	11700	(3429)
	-15	(-26.1)	13600	(3986)	13100	(3839)	12700	(3722)	12200	(3576)	11700	(3429)	11100	(3253)	10600	(3107)
Compressor Model ZF09K4E	-20	(-28.9)	12200	(3576)	11800	(3458)	11400	(3341)	11000	(3224)	10500	(3077)	10000	(2931)	9600	(2814)
	-25	(-31.7)	10900	(3195)	10600	(3107)	10200	(2989)	9800	(2872)	9400	(2755)	9000	(2638)	8600	(2521)
	-30	(-34.4)	9700	(2843)	9400	(2755)	9100	(2667)	8800	(2579)	8400	(2462)	8100	(2374)	7700	(2257)
	-35	(-37.2)	8600	(2521)	8300	(2433)	8100	(2374)	7800	(2286)	7500	(2198)	7100	(2081)	6800	(1993)
	-40	(-40.0)	7600	(2227)	7300	(2140)	7100	(2081)	6800	(1993)	6600	(1934)	6300	(1846)	6000	(1758)
BEZA035L8	0	(-17.8)	22200	(6506)	21400	(6272)	20500	(6008)	19700	(5774)	18700	(5481)	17800	(5217)	16800	(4924)
	-5	(-20.6)	20200	(5920)	19500	(5715)	18700	(5481)	17900	(5246)	17100	(5012)	16300	(4777)	15400	(4513)
	-10	(-23.3)	18400	(5393)	17700	(5188)	17000	(4982)	16300	(4777)	15600	(4572)	14800	(4338)	14000	(4103)
	-15	(-26.1)	16600	(4865)	16000	(4689)	15400	(4513)	14800	(4338)	14100	(4132)	13400	(3927)	12700	(3722)
Compressor Model ZF11K4E	-20	(-28.9)	14900	(4367)	14400	(4220)	13900	(4074)	13300	(3898)	12700	(3722)	12100	(3546)	11500	(3370)
	-25	(-31.7)	13300	(3898)	12900	(3781)	12400	(3634)	12000	(3517)	11400	(3341)	10900	(3195)	10400	(3048)
	-30	(-34.4)	11900	(3488)	11500	(3370)	11100	(3253)	10700	(3136)	10200	(2989)	9800	(2872)	9300	(2726)
	-35	(-37.2)	10500	(3077)	10200	(2989)	9800	(2872)	9500	(2784)	9100	(2667)	8700	(2550)	8300	(2433)
	-40	(-40.0)	9300	(2726)	9000	(2638)	8700	(2550)	8400	(2462)	8000	(2345)	7700	(2257)	7300	(2140)
BEZA045L8	0	(-17.8)	26500	(7767)	25500	(7474)	24500	(7181)	23400	(6858)	22400	(6565)	21300	(6243)	20100	(5891)
	-5	(-20.6)	24000	(7034)	23100	(6770)	22200	(6506)	21200	(6213)	20300	(5950)	19300	(5657)	18300	(5363)
	-10	(-23.3)	21700	(6360)	20900	(6125)	20000	(5862)	19200	(5627)	18300	(5363)	17400	(5100)	16500	(4836)
	-15	(-26.1)	19500	(5715)	18700	(5481)	18000	(5275)	17200	(5041)	16500	(4836)	15700	(4601)	14800	(4338)
Compressor Model ZF13K4E	-20	(-28.9)	17400	(5100)	16800	(4924)	16100	(4719)	15400	(4513)	14700	(4308)	14000	(4103)	13300	(3898)
	-25	(-31.7)	15500	(4543)	14900	(4367)	14300	(4191)	13700	(4015)	13100	(3839)	12500	(3664)	11900	(3488)
	-30	(-34.4)	13700	(4015)	13200	(3869)	12700	(3722)	12200	(3576)	11700	(3429)	11100	(3253)	10600	(3107)
	-35	(-37.2)	12000	(3517)	11600	(3400)	11100	(3253)	10700	(3136)	10300	(3019)	9900	(2902)	9500	(2784)
	-40	(-40.0)	10400	(3048)	10100	(2960)	9700	(2843)	9400	(2755)	9000	(2638)	8700	(2550)	8400	(2462)
BEZA055L8	0	(-17.8)	31700	(9291)	30500	(8939)	29200	(8558)	28000	(8206)	26700	(7825)	25300	(7415)	24000	(7034)
	-5	(-20.6)	28700	(8411)	27700	(8118)	26600	(7796)	25400	(7444)	24300	(7122)	23100	(6770)	21800	(6389)
	-10	(-23.3)	26000	(7620)	25000	(7327)	24100	(7063)	23100	(6770)	22000	(6448)	20900	(6125)	19800	(5803)
	-15	(-26.1)	23400	(6858)	22600	(6624)	21700	(6360)	20800	(6096)	19900	(5832)	19000	(5569)	18000	(5275)
Compressor Model ZF15K4E	-20	(-28.9)	21000	(6155)	20300	(5950)										

MODEL BEZA	SATURATED SUCTION TEMPERATURE		CAPACITY BTU/H (WATTS) R404A R507								AMBIENT TEMPERATURE °F (°C)	
	° F	° C	80 (26.6)	85 (29.4)	90 (32.2)	95 (35)	100 (37.8)	105 (40.6)	110 (43.3)			
BEZA060L8 Compressor Model ZF18K4E	0	(-17.8)	38200 (11196)	36800 (10785)	35300 (10346)	33900 (9936)	32400 (9496)	30900 (9056)	29300 (8587)			
	-5	(-20.6)	34700 (10170)	33400 (9789)	32200 (9437)	30800 (9027)	29500 (8646)	28200 (8265)	26800 (7855)			
	-10	(-23.3)	31400 (9203)	30300 (8880)	29200 (8558)	28000 (8206)	26800 (7855)	25600 (7503)	24400 (7151)			
	-15	(-26.1)	28300 (8294)	27300 (8001)	26400 (7737)	25300 (7415)	24300 (7122)	23200 (6800)	22200 (6506)			
	-20	(-28.9)	25400 (7444)	24600 (7210)	23700 (6946)	22800 (6682)	21900 (6419)	21000 (6155)	20100 (5891)			
	-25	(-31.7)	22700 (6653)	22000 (6448)	21300 (6243)	20500 (6008)	19700 (5774)	18900 (5539)	18100 (5305)			
	-30	(-34.4)	20200 (5920)	19600 (5744)	19000 (5569)	18300 (5363)	17600 (5158)	16900 (4953)	16200 (4748)			
	-35	(-37.2)	17900 (5246)	17300 (5070)	16800 (4924)	16200 (4748)	15600 (4572)	15000 (4396)	14400 (4220)			
	-40	(-40.0)	15700 (4601)	15200 (4455)	14700 (4308)	14200 (4162)	13700 (4015)	13200 (3869)	12700 (3722)			
BEZA075L8 Compressor Model ZF25K4E	0	(-17.8)	47900 (14040)	46200 (13540)	44500 (13040)	42700 (12510)	41000 (12020)	39200 (11490)	37300 (10930)			
	-5	(-20.6)	43400 (12720)	41900 (12280)	40300 (11810)	38700 (11340)	37100 (10870)	35500 (10400)	33900 (9940)			
	-10	(-23.3)	39200 (11490)	37800 (11080)	36400 (10670)	35000 (10260)	33600 (9850)	32100 (9410)	30600 (8970)			
	-15	(-26.1)	35300 (10350)	34000 (9960)	32800 (9610)	31500 (9230)	30200 (8850)	28900 (8470)	27700 (8120)			
	-20	(-28.9)	31600 (9260)	30500 (8940)	29400 (8620)	28300 (8290)	27100 (7940)	26000 (7620)	24900 (7300)			
	-25	(-31.7)	28200 (8260)	27200 (7970)	26200 (7680)	25300 (7410)	24300 (7120)	23400 (6860)	22400 (6560)			
	-30	(-34.4)	25000 (7330)	24200 (7090)	23300 (6830)	22500 (6590)	21700 (6360)	20900 (6130)	20100 (5890)			
	-35	(-37.2)	22100 (6480)	21400 (6270)	20700 (6070)	20000 (5860)	19300 (5660)	18700 (5480)	18000 (5280)			
	-40	(-40.0)	19400 (5690)	18800 (5510)	18200 (5330)	17700 (5190)	17100 (5010)	16600 (4860)	16200 (4750)			
BEZA100L8 Compressor Model ZF34K5E	0	(-17.8)	60000 (17580)	57700 (16910)	55400 (16240)	53000 (15530)	50500 (14800)	47900 (14040)	45300 (13280)			
	-5	(-20.6)	54600 (16000)	52600 (15420)	50500 (14800)	48300 (14160)	46100 (13510)	43800 (12840)	41400 (12130)			
	-10	(-23.3)	49500 (14510)	47700 (13980)	45900 (13450)	44000 (12900)	42000 (12310)	39900 (11690)	37800 (11080)			
	-15	(-26.1)	44800 (13130)	43200 (12660)	41500 (12160)	39800 (11660)	38100 (11170)	36200 (10610)	34300 (10050)			
	-20	(-28.9)	40200 (11780)	38800 (11370)	37400 (10960)	35900 (10520)	34300 (10050)	32700 (9580)	31000 (9090)			
	-25	(-31.7)	36000 (10550)	34800 (10200)	33500 (9820)	32200 (9440)	30800 (9030)	29400 (8620)	27900 (8180)			
	-30	(-34.4)	32000 (9380)	30900 (9060)	29800 (8730)	28600 (8380)	27400 (8030)	26200 (7680)	24900 (7300)			
	-35	(-37.2)	28200 (8260)	27200 (7970)	26300 (7710)	25200 (7390)	24200 (7090)	23100 (6770)	21900 (6420)			
	-40	(-40.0)	24600 (7210)	23800 (6980)	22900 (6710)	22000 (6450)	21100 (6180)	20100 (5890)	19100 (5600)			
BEZA130L8 Compressor Model ZF41K5E	0	(-17.8)	74500 (21830)	71800 (21040)	69000 (20220)	66100 (19370)	63200 (18520)	60200 (17640)	57000 (16700)			
	-5	(-20.6)	67800 (19870)	65400 (19170)	62900 (18430)	60400 (17700)	57700 (16910)	55000 (16120)	52200 (15300)			
	-10	(-23.3)	61500 (18020)	59400 (17410)	57200 (16760)	54900 (16090)	52600 (15420)	50200 (14710)	47700 (13980)			
	-15	(-26.1)	55600 (16290)	53700 (15740)	51800 (15180)	49800 (14590)	47700 (13980)	45600 (13360)	43300 (12690)			
	-20	(-28.9)	50100 (14680)	48400 (14180)	46700 (13690)	45000 (13190)	43100 (12630)	41200 (12070)	39200 (11490)			
	-25	(-31.7)	44800 (13130)	43400 (12720)	41900 (12280)	40400 (11840)	38800 (11370)	37100 (10870)	35300 (10350)			
	-30	(-34.4)	40000 (11720)	38700 (11340)	37400 (10960)	36100 (10580)	34600 (10140)	33100 (9700)	31500 (9230)			
	-35	(-37.2)	35400 (10370)	34300 (10050)	33100 (9700)	31900 (9350)	30700 (9000)	29300 (8590)	27900 (8180)			
	-40	(-40.0)	31000 (9090)	30100 (8820)	29000 (8500)	28000 (8210)	26800 (7850)	25600 (7500)	24300 (7120)			
BEZA150L8 Compressor Model ZF49K5E	0	(-17.8)	88000 (25790)	84700 (24820)	81300 (23830)	77800 (22800)	74200 (21750)	70500 (20660)	66600 (19520)			
	-5	(-20.6)	80200 (23500)	77200 (22630)	74200 (21750)	71000 (20810)	67800 (19870)	64400 (18870)	61000 (17880)			
	-10	(-23.3)	72700 (21310)	70100 (20540)	67400 (19750)	64600 (18930)	61700 (18080)	58700 (17200)	55600 (16290)			
	-15	(-26.1)	65700 (19250)	63400 (18580)	61000 (17880)	58500 (17140)	55900 (16380)	53200 (15590)	50400 (14770)			
	-20	(-28.9)	59100 (17320)	57100 (16730)	54900 (16090)	52700 (15440)	50400 (14770)	48100 (14100)	45600 (13360)			
	-25	(-31.7)	52900 (15500)	51100 (14980)	49300 (14450)	47300 (13860)	45300 (13280)	43200 (12660)	40900 (11990)			
	-30	(-34.4)	47200 (13830)	45600 (13360)	44000 (12900)	42200 (12370)	40500 (11870)	38600 (11310)	36600 (10730)			
	-35	(-37.2)	41900 (12280)	40500 (11870)	39000 (11430)	37500 (10990)	35900 (10520)	34200 (10020)	32400 (9500)			
	-40	(-40.0)	36900 (10810)	35700 (10460)	34400 (10080)	33100 (9700)	31600 (9260)	30100 (8820)	28500 (8350)			

**CAPACITY DATA - R22
HIGH TEMPERATURE**

MODEL BEZA	SATURATED SUCTION TEMP.		CAPACITY BTU/H (WATTS) R22 AMBIENT TEMPERATURE °F (°C)						
	° F	° C	80 (26.6)	85 (29.4)	90 (32.2)	95 (35)	100 (37.8)	105 (40.6)	110 (43.3)
BEZA010H8 Compressor Model ZS09KAE	45 (7.2)	18800 (5510)	18300 (5360)	17800 (5220)	17300 (5070)	16800 (4920)	16300 (4780)	15800 (4630)	15300 (4490)
	40 (4.4)	17200 (5040)	16800 (4920)	16300 (4780)	15900 (4660)	15400 (4510)	15000 (4400)	14500 (4250)	14000 (4100)
	35 (1.7)	15700 (4600)	15300 (4480)	14900 (4370)	14500 (4250)	14100 (4130)	13700 (4020)	13300 (3900)	12900 (3780)
	30 (-1.1)	14300 (4190)	14000 (4100)	13600 (3990)	13300 (3900)	12900 (3780)	12500 (3660)	12100 (3550)	11700 (3430)
	25 (-3.9)	13100 (3840)	12700 (3720)	12400 (3630)	12100 (3550)	11700 (3430)	11400 (3340)	11000 (3220)	10600 (3100)
BEZA011H8 Compressor Model ZS11KAE	45 (7.2)	21700 (6360)	21200 (6210)	20600 (6040)	20000 (5860)	19400 (5690)	18800 (5510)	18300 (5360)	17800 (5220)
	40 (4.4)	19900 (5830)	19400 (5690)	18900 (5540)	18400 (5390)	17800 (5220)	17300 (5070)	16700 (4890)	16200 (4750)
	35 (1.7)	18200 (5330)	17800 (5220)	17300 (5070)	16800 (4920)	16300 (4780)	15800 (4630)	15300 (4480)	14800 (4340)
	30 (-1.1)	16700 (4890)	16200 (4750)	15800 (4630)	15400 (4510)	14900 (4370)	14500 (4250)	14000 (4100)	13600 (3990)
	25 (-3.9)	15200 (4450)	14800 (4340)	14400 (4220)	14000 (4100)	13600 (3990)	13200 (3870)	12800 (3750)	12400 (3630)
BEZA015H8 Compressor Model ZS13KAE	45 (7.2)	24500 (7180)	23900 (7000)	23200 (6800)	22600 (6620)	21900 (6420)	21200 (6210)	20600 (6040)	19900 (5830)
	40 (4.4)	22500 (6590)	21900 (6420)	21300 (6240)	20700 (6070)	20100 (5890)	19500 (5710)	18900 (5540)	18300 (5360)
	35 (1.7)	20600 (6040)	20100 (5890)	19600 (5740)	19000 (5570)	18400 (5390)	17900 (5250)	17300 (5070)	16800 (4920)
	30 (-1.1)	18900 (5540)	18400 (5390)	17900 (5250)	17400 (5100)	16900 (4950)	16400 (4810)	15800 (4630)	15300 (4480)
	25 (-3.9)	17200 (5040)	16800 (4920)	16300 (4780)	15900 (4660)	15400 (4510)	14900 (4370)	14400 (4220)	13900 (4080)
BEZA020H8 Compressor Model ZB15KCE	45 (7.2)	28100 (8236)	27400 (8030)	26600 (7796)	25900 (7591)	25100 (7356)	24300 (7122)	23500 (6887)	22700 (6652)
	40 (4.4)	25900 (7591)	25200 (7386)	24500 (7181)	23800 (6975)	23100 (6770)	22400 (6565)	21600 (6331)	20900 (6117)
	35 (1.7)	23800 (6975)	23100 (6770)	22500 (6594)	21900 (6419)	21200 (6213)	20500 (6008)	19800 (5803)	19100 (5598)
	30 (-1.1)	21700 (6360)	21200 (6213)	20600 (6038)	20000 (5862)	19400 (5686)	18800 (5510)	18100 (5305)	17500 (5129)
	25 (-3.9)	19800 (5803)	19300 (5657)	18800 (5510)	18200 (5334)	17700 (5188)	17100 (5012)	N/A	N/A
BEZA025H8 Compressor Model ZB19KCE	45 (7.2)	32200 (9437)	31400 (9203)	30500 (8939)	29700 (8705)	28800 (8441)	27900 (8177)	26900 (7884)	26000 (7650)
	40 (4.4)	29500 (8646)	28800 (8441)	28000 (8206)	27200 (7972)	26400 (7737)	25500 (7474)	24700 (7239)	23900 (7004)
	35 (1.7)	27000 (7913)	26300 (7708)	25600 (7503)	24900 (7298)	24200 (7093)	23400 (6858)	22600 (6624)	21800 (6389)
	30 (-1.1)	24700 (7239)	24100 (7063)	23400 (6858)	22700 (6653)	22100 (6477)	21300 (6243)	20600 (6038)	19900 (5833)
	25 (-3.9)	22500 (6594)	21900 (6419)	21300 (6243)	20700 (6067)	20100 (5891)	19400 (5686)	N/A	N/A
BEZA030H8 Compressor Model ZB21KCE	45 (7.2)	42500 (12456)	41500 (12163)	40500 (11870)	39400 (11547)	38300 (11225)	37200 (10903)	36000 (10551)	34900 (10229)
	40 (4.4)	39100 (11460)	38100 (11166)	37200 (10903)	36200 (10610)	35100 (10287)	34100 (9994)	33000 (9672)	31900 (9350)
	35 (1.7)	35800 (10492)	34900 (10229)	34000 (9965)	33100 (9701)	32200 (9437)	31200 (9144)	30200 (8851)	29200 (8558)
	30 (-1.1)	32700 (9584)	31900 (9349)	31000 (9086)	30200 (8851)	29300 (8587)	28400 (8324)	27500 (8060)	26600 (7796)
	25 (-3.9)	29700 (8705)	29000 (8499)	28200 (8265)	27400 (8030)	26600 (7796)	25800 (7562)	N/A	N/A
BEZA035H8 Compressor Model ZB26KCE	45 (7.2)	48400 (14185)	47200 (13834)	45900 (13453)	44700 (13101)	43300 (12691)	42000 (12309)	40600 (11899)	39300 (11509)
	40 (4.4)	44500 (13042)	43300 (12691)	42200 (12368)	41000 (12016)	39800 (11665)	38600 (11313)	37300 (10932)	36100 (10580)
	35 (1.7)	40800 (11958)	39700 (11635)	38700 (11342)	37600 (11020)	36500 (10698)	35400 (10375)	34200 (10023)	33100 (9701)
	30 (-1.1)	37300 (10932)	36300 (10639)	35400 (10375)	34400 (10082)	33400 (9789)	32300 (9467)	31300 (9174)	30300 (8881)
	25 (-3.9)	34000 (9965)	33100 (9701)	32200 (9437)	31300 (9174)	30400 (8910)	29400 (8617)	N/A	N/A
BEZA040H8 Compressor Model ZB30KCE	45 (7.2)	55600 (16295)	54100 (15856)	52700 (15445)	51200 (15006)	49700 (14566)	48100 (14097)	46500 (13628)	44900 (13159)
	40 (4.4)	51200 (15006)	49800 (14596)	48500 (14215)	47100 (13804)	45700 (13394)	44300 (12984)	42800 (12544)	41400 (12134)
	35 (1.7)	47000 (13775)	45700 (13394)	44500 (13042)	43200 (12661)	41900 (12280)	40600 (11899)	39200 (11489)	37900 (11089)
	30 (-1.1)	43000 (12603)	41800 (12251)	40700 (11928)	39500 (11577)	38300 (11225)	37100 (10873)	35900 (10522)	34700 (10171)
	25 (-3.9)	39200 (11489)	38100 (11166)	37100 (10873)	36000 (10551)	34900 (10229)	33800 (9906)	N/A	N/A
BEZA050H8 Compressor Model ZB38KCE	45 (7.2)	68600 (20106)	66900 (19607)	65100 (19080)	63300 (18552)	61400 (17995)	59500 (17438)	57500 (16852)	55600 (16295)
	40 (4.4)	63200 (18523)	61600 (18054)	59900 (17556)	58200 (17057)	56500 (16559)	54700 (16032)	52900 (15504)	51100 (14977)
	35 (1.7)	58000 (16999)	56500 (16559)	55000 (16120)	53400 (15651)	51800 (15182)	50200 (14713)	48500 (14215)	46900 (13746)
	30 (-1.1)	53000 (15533)	51700 (15152)	50200 (14713)	48800 (14302)	47300 (13863)	45800 (13423)	44300 (12984)	42800 (12544)
	25 (-3.9)	48300 (14156)	47100 (13804)	45800 (13423)	44400 (13013)	43100 (12632)	41700 (12222)	N/A	N/A
BEZA060H8 Compressor Model ZB45KCE	45 (7.2)	83700 (24531)	81600 (23916)	79500 (23300)	77300 (22655)	75000 (21981)	72700 (21307)	70300 (20604)	67900 (19930)
	40 (4.4)	76900 (22538)	75000 (21981)	73000 (21395)	71000 (20809)	68900 (20193)	66700 (19549)	64500 (18904)	62300 (18260)
	35 (1.7)	70500 (20662)	68700 (20135)	66900 (19607)	65000 (19050)	63000 (18464)	61000 (17878)	58900 (17263)	56800 (16658)
	30 (-1.1)	64400 (18875)	62800 (18406)	61100 (17907)	59300 (17380)	57500 (16852)	55600 (16295)	53700 (15739)	51800 (15182)
	25 (-3.9)	58600 (17175)	57100 (16735)	55500 (16266)	53900 (15797)	52300 (15328)	50500 (14801)	N/A	N/A
BEZA061H8 Compressor Model ZB48KCE	45 (7.2)	91800 (26900)	89500 (26230)	87100 (25530)	84600 (24790)	82000 (24030)	79400 (23270)	76700 (22480)	74100 (21720)
	40 (4.4)	84000 (24620)	81900 (24000)	79700 (23360)	77500 (22710)	75100 (22010)	72700 (21310)	70300 (20600)	67900 (19890)
	35 (1.7)	76800 (22510)	74900 (21950)	72900 (21360)	70800 (20750)	68600 (20100)	66400 (19460)	64200 (18820)	62000 (18180)
	30 (-1.1)	70000 (20510)	68200 (19990)	66400 (19460)	64500 (18900)	62500 (18320)	60500 (17730)	58400 (17120)	56300 (16530)
	25 (-3.9)	63600 (18640)	62000 (18170)	60300 (17670)	58600 (17170)	56800 (16650)	54900 (16090)	53000 (15530)	51100 (14970)

table continues on next page >>>

**CAPACITY DATA - R22
HIGH TEMPERATURE (cont'd)**

MODEL BEZA	SATURATED SUCTION TEMP.		CAPACITY BTU/H (WATTS) R22 AMBIENT TEMPERATURE °F (°C)									
	° F	° C	80 (26.6)	85 (29.4)	90 (32.2)	95 (35)	100 (37.8)	105 (40.6)	110 (43.3)			
BEZA070H8 Compressor Model ZB58K5E	45 (7.2)	102600 (30070)	99900 (29280)	97100 (28460)	94200 (27610)	91200 (26730)	88100 (25820)	84800 (24850)				
	40 (4.4)	94200 (27610)	91700 (26870)	89100 (26110)	86400 (25320)	83600 (24500)	80700 (23650)	77700 (22770)				
	35 (1.7)	86200 (25260)	83900 (24590)	81500 (23890)	79000 (23150)	76400 (22390)	73700 (21600)	70900 (20780)				
	30 (-1.1)	78700 (23060)	76500 (22420)	74300 (21780)	72000 (21100)	69600 (20400)	67000 (19640)	64400 (18870)				
BEZA076H8 Compressor Model ZB66K5E	25 (-3.9)	71500 (20950)	69500 (20370)	67400 (19750)	65300 (19140)	63000 (18460)	60700 (17790)	58300 (17090)				
	45 (7.2)	119700 (35080)	116800 (34230)	113900 (33380)	110800 (32470)	107700 (31560)	104600 (30660)	101300 (29690)				
	40 (4.4)	109800 (32180)	107200 (31420)	104500 (30630)	101700 (29810)	98900 (28980)	96000 (28130)	93000 (27260)				
	35 (1.7)	100400 (29420)	98000 (28720)	95600 (28020)	93000 (27260)	90400 (26490)	87800 (25730)	85000 (24910)				
BEZA085H8 Compressor Model ZB76K5E	30 (-1.1)	91600 (26850)	89400 (26200)	87100 (25530)	84800 (24850)	82500 (24180)	80000 (23450)	77500 (22710)				
	25 (-3.9)	83200 (24380)	81200 (23800)	79200 (23210)	77100 (22600)	74900 (21950)	72700 (21310)	70400 (20630)				
	45 (7.2)	137900 (40410)	134500 (39420)	131000 (38390)	127400 (37340)	123700 (36250)	120000 (35170)	116200 (34050)				
	40 (4.4)	127200 (37280)	124000 (36340)	120800 (35400)	117500 (34440)	114100 (33440)	110600 (32410)	107000 (31360)				
BEZA110H8 Compressor Model ZB95K5E	35 (1.7)	116900 (34260)	114000 (33410)	111000 (32530)	107900 (31620)	104800 (30710)	101600 (29780)	98200 (28780)				
	30 (-1.1)	107000 (31360)	104400 (30600)	101600 (29780)	98800 (28960)	95900 (28110)	92900 (27230)	89800 (26320)				
	25 (-3.9)	97700 (28630)	95300 (27930)	92700 (27170)	90100 (26410)	87400 (25610)	84700 (24820)	81800 (23970)				
	45 (7.2)	174300 (51080)	169800 (49760)	165100 (48390)	160400 (47010)	155500 (45570)	150500 (44110)	145300 (42580)				
BEZA150H8 Compressor Model ZB114K5E	40 (4.4)	160200 (46950)	155900 (45690)	151600 (44430)	147100 (43110)	142500 (41760)	137800 (40390)	132900 (38950)				
	35 (1.7)	146700 (42990)	142700 (41820)	138700 (40650)	134400 (39390)	130100 (38130)	125600 (36810)	121000 (35460)				
	30 (-1.1)	133800 (39210)	130100 (38130)	126300 (37010)	122300 (35840)	118200 (34640)	113900 (33380)	109500 (32090)				
	25 (-3.9)	121600 (35640)	118100 (34610)	114500 (33560)	110800 (32470)	106800 (31300)	102800 (30130)	98600 (28900)				
BEZA150H8 Compressor Model ZB114K5E	45 (7.2)	202800 (59430)	197100 (57760)	191500 (56120)	185900 (54480)	180200 (52810)	174500 (51140)	168500 (49380)				
	40 (4.4)	186400 (54630)	181300 (53130)	176100 (51610)	171000 (50110)	165700 (48560)	160300 (46980)	154700 (45340)				
	35 (1.7)	170800 (50060)	166200 (48710)	161500 (47330)	156800 (45950)	151800 (44490)	146700 (42990)	141400 (41440)				
	30 (-1.1)	156100 (45750)	151900 (44520)	147600 (43260)	143100 (41940)	138500 (40590)	133600 (39150)	128500 (37660)				
25 (-3.9)	142200 (41670)	138300 (40530)	134300 (39360)	130100 (38130)	125700 (36840)	121000 (35460)	115900 (33970)					

MODEL BEZA	COMPRESSOR MODEL NO.	POWER SUPPLY	COMPRESSOR		CONDENSER FAN MOTOR			UNIT		
			RLA	LRA	QTY	WATTS	FLA	MCA	MOP	
BEZA010H8-*	S2B	ZS09KAE-PFV	208-230/1/60	10.0	40.3	1	240	1.1	13.6	20
	T3B	ZS09KAE-TF5	208-230/3/60	8.0	55.4	1	240	1.1	11.1	15
	T4B	ZS09KAE-TFD	460/3/60	3.8	28	1	240	0.6	5.4	15
BEZA011H8-*	S2B	ZS11KAE-PFV	208-230/1/60	12.6	55	1	240	1.1	16.9	25
	T3B	ZS11KAE-TF5	208-230/3/60	10.4	58	1	240	1.1	14.1	20
	T4B	ZS11KAE-TFD	460/3/60	4.3	28	1	240	0.6	6.0	15
BEZA015H8-*	S2B	ZS13KAE-PFV	208-230/1/60	12.0	56	1	240	1.1	16.1	25
	T3B	ZS13KAE-TF5	208-230/3/60	9.7	58	1	240	1.1	13.2	20
	T4B	ZS13KAE-TFD	460/3/60	4.8	29	1	240	0.6	6.6	15
BEZA020H8-*	S2B	ZB15KCE-PFV	208-230/1/60	15.7	61	1	240	1.1	20.7	35
	T3B	ZB15KCE-TF5	208-230/3/60	8.9	55	1	240	1.1	12.2	20
	T4B	ZB15KCE-TFD	460/3/60	5.0	27	1	240	0.6	6.9	15
BEZA025H8-*	S2B	ZB19KCE-PFV	208-230/1/60	17.9	73	1	240	1.1	23.5	40
	T3B	ZB19KCE-TF5	208-230/3/60	10.0	63	1	240	1.1	13.6	20
	T4B	ZB19KCE-TFD	460/3/60	5.0	31	1	240	0.6	6.9	15
BEZA030H8-*	S2B	ZB21KCE-PFV	208-230/1/60	20.7	100	1	400	2.1	28.0	45
	T3B	ZB21KCE-TF5	208-230/3/60	12.1	77	1	400	2.1	17.2	25
	T4B	ZB21KCE-TFD	460/3/60	6.1	39	1	400	1.1	8.7	15
BEZA035H8-*	S2B	ZB26KCE-PFV	208-230/1/60	23.6	127	1	400	2.1	31.6	50
	T3B	ZB26KCE-TF5	208-230/3/60	13.9	88	1	400	2.1	19.5	30
	T4B	ZB26KCE-TFD	460/3/60	7.1	44	1	400	1.1	10.0	15
BEZA040H8-*	S2B	ZB30KCE-PFV	208-230/1/60	26.8	132	1	400	2.1	35.6	60
	T3B	ZB30KCE-TF5	208-230/3/60	15.7	115	1	400	2.1	21.7	35
	T4B	ZB30KCE-TFD	460/3/60	7.5	47.5	1	400	1.1	10.5	15
	T5B	ZB30KCE-TFE	575/3/60	6.4	40	1	400	0.9	8.9	15
BEZA050H8-*	S2B	ZB38KCE-PFV	208-230/1/60	31.1	175	1	400	2.1	41.0	70
	T3B	ZB38KCE-TF5	208-230/3/60	22.1	128	1	400	2.1	29.7	50
	T4B	ZB38KCE-TFD	460/3/60	9.6	63	1	400	1.1	13.1	20
	T5B	ZB38KCE-TFE	575/3/60	7.1	50	1	400	0.9	9.8	15
BEZA060H8-*	T3B	ZB45KCE-TF5	208-230/3/60	22.5	156	1	400	2.1	30.2	50
	T4B	ZB45KCE-TFD	460/3/60	11.5	75	1	400	1.1	15.5	25
	T5B	ZB45KCE-TFE	575/3/60	7.9	54	1	400	0.9	10.8	15
BEZA061H8-*	T3B	ZB48KCE-TF5	208-230/3/60	25.4	164	1	400	2.1	33.9	50
	T4B	ZB48KCE-TFD	460/3/60	13.6	100	1	400	1.1	18.1	30
	T5B	ZB48KCE-TFE	575/3/60	10.1	78	1	400	0.9	13.5	20
BEZA070H8-*	T3B	ZB58K5E-TFC	208-230/3/60	34.3	195	1	400	2.1	45.0	70
	T4B	ZB58K5E-TFD	460/3/60	17.9	95	1	400	1.1	23.5	40
	T5B	ZB58K5E-TFE	575/3/60	13.6	80	1	400	0.9	17.9	30
BEZA076H8-*	T3B	ZB66K5E-TFC	208-230/3/60	39.3	225	2	800	4.2	53.3	90
	T4B	ZB66K5E-TFD	460/3/60	17.3	114	2	800	2.2	23.8	40
	T5B	ZB66K5E-TFE	575/3/60	14.3	80	2	800	1.8	19.7	30
BEZA085H8-*	T3B	ZB76K5E-TFC	208-230/3/60	43.0	239	2	800	4.2	58.0	100
	T4B	ZB76K5E-TFD	460/3/60	20.7	125	2	800	2.2	28.1	45
	T5B	ZB76K5E-TFE	575/3/60	14.6	80	2	800	1.8	20.1	30
BEZA110H8-*	T3B	ZB95K5E-TWC	208-230/3/60	52.9	298	2	1560	7.2	73.3	125
	T4B	ZB95K5E-TFD	460/3/60	25.0	150	2	1560	3.4	34.7	50
	T5B	ZB95K5E-TFE	575/3/60	20.8	123	2	1560	2.8	28.8	45
BEZA150H8-*	T3B	ZB114K5E-TWC	208-230/3/60	63.0	321	2	1560	7.2	86.0	125
	T4B	ZB114K5E-TFD	460/3/60	27.9	179	2	1560	3.4	38.3	60
	T5B	ZB114K5E-TWE	575/3/60	22.4	132	2	1560	2.8	30.8	50

* I = Indoor, H = Outdoor. Above listed RLA value is based on UL rating method and may differ from published compressor RLA data.

table continues on next page >>>

MODEL BEZA	COMPRESSOR MODEL NO.	POWER SUPPLY	COMPRESSOR		CONDENSER FAN MOTOR			UNIT		
			RLA	LRA	QTY	WATTS	FLA	MCA	MOP	
BEZA020L8- *	S2	ZF06K4E-PFV	208-230/1/60	13.6	61	1	130	0.5	17.5	30
	T3	ZF06K4E-TF5	208-230/3/60	9.3	55	1	130	0.5	12.1	20
BEZA025L8- *	S2	ZF08K4E-PFV	208-230/1/60	16.4	73	1	240	1.1	21.6	35
	T3	ZF08K4E-TF5	208-230/3/60	9.6	63	1	240	1.1	13.1	20
	T4	ZF08K4E-TFD	460/3/60	5.0	31	1	240	0.6	6.9	15
	S2	ZF09K4E-PFV	208-230/1/60	15.4	88	1	240	1.1	20.4	35
BEZA030L8- *	T3	ZF09K4E-TF5	208-230/3/60	9.9	77	1	240	1.1	13.5	20
	T4	ZF09K4E-TFD	460/3/60	5.0	39	1	240	0.6	6.9	15
	T5	ZF09K4E-TFE	575/3/60	4.3	31	1	240	0.5	5.9	15
BEZA035L8-*	S2	ZF11K4E-PFV	208-230/1/60	20.7	109	1	240	1.1	27.0	45
	T3	ZF11K4E-TF5	208-230/3/60	12.7	88	1	240	1.1	17.0	25
	T4	ZF11K4E-TFD	460/3/60	6.4	44	1	240	0.6	8.6	15
	T5	ZF11K4E-TFE	575/3/60	4.6	34	1	240	0.5	6.3	15
BEZA045L8- *	S2	ZF13K4E-PFV	208-230/1/60	25.0	129	1	400	2.1	33.4	50
	T3	ZF13K4E-TF5	208-230/3/60	13.8	99	1	400	2.1	19.4	30
	T4	ZF13K4E-TFD	460/3/60	7.1	49.5	1	400	1.1	10.0	15
	T5	ZF13K4E-TFE	575/3/60	7.1	40	1	400	0.9	9.8	15
BEZA055L8- *	S2	ZF15K4E-PFV	208-230/1/60	27.9	169	1	400	2.1	37.0	60
	T3	ZF15K4E-TF5	208-230/3/60	18.9	123	1	400	2.1	25.7	40
	T4	ZF15K4E-TFD	460/3/60	8.9	62	1	400	1.1	12.2	20
	T5	ZF15K4E-TFE	575/3/60	6.4	50	1	400	0.9	8.9	15
BEZA060L8- *	T3	ZF18K4E-TF5	208-230/3/60	21.8	156	1	400	2.1	29.4	50
	T4	ZF18K4E-TFD	460/3/60	9.0	75	1	400	1.1	12.4	20
	T5	ZF18K4E-TFE	575/3/60	7.9	54	1	400	0.9	10.8	15
BEZA075L8- *	T3	ZF25K4E-TF5	208-230/3/60	26.7	224	1	400	2.1	35.5	60
	T4	ZF25K4E-TFD	460/3/60	11.9	99	1	400	1.1	16.0	25
	T5	ZF25K4E-TFE	575/3/60	9.1	82.4	1	400	0.9	12.3	20
BEZA100L8- *	T3	ZF34K5E-TFC	208-230/3/60	37.1	239	1	400	2.1	48.5	80
	T4	ZF34K5E-TFD	460/3/60	17.9	100	1	400	1.1	23.5	40
	T5	ZF34K5E-TFE	575/3/60	14.3	100	1	400	0.9	18.8	30
BEZA130L8- *	T3	ZF41K5E-TFC	208-230/3/60	42.1	248	2	800	4.2	56.8	90
	T4	ZF41K5E-TFD	460/3/60	19.3	125	2	800	2.2	26.3	45
	T5	ZF41K5E-TFE	575/3/60	15.6	100	2	800	1.8	21.3	35
BEZA150L8- *	T3	ZF49K5E-TFC	208-230/3/60	50.7	339	2	800	4.2	67.6	100
	T4	ZF49K5E-TFD	460/3/60	20.2	139	2	800	2.2	27.5	45
	T5	ZF49K5E-TFE	575/3/60	18.2	123	2	800	1.8	24.6	40

* I = Indoor, H = Outdoor. Above listed RLA value is based on UL rating method and may differ from published compressor RLA data.

MODEL BEZA	COMPRESSOR MODEL NO.	POWER SUPPLY	COMPRESSOR		ECM CONDENSER FAN			UNIT		
			RLA	LRA	QTY	WATTS	FLA	MCA	MOP	
BEZA010H8- *	S2B	ZS09KAE-PFV	208-230/1/60	10.0	40.3	1	175	2.0	14.5	20
	T3B	ZS09KAE-TF5	208-230/3/60	8.0	55.4	1	175	2.0	12.0	20
BEZA011H8- *	S2B	ZS11KAE-PFV	208-230/1/60	12.6	55	1	175	2.0	17.8	30
	T3B	ZS11KAE-TF5	208-230/3/60	10.4	58	1	175	2.0	15.0	25
BEZA015H8- *	S2B	ZS13KAE-PFV	208-230/1/60	12.0	56	1	175	2.0	17.0	25
	T3B	ZS13KAE-TF5	208-230/3/60	9.7	58	1	175	2.0	14.1	20
BEZA020H8- *	S2B	ZB15KCE-PFV	208-230/1/60	15.7	61	1	175	2.0	21.6	35
	T3B	ZB15KCE-TF5	208-230/3/60	8.9	55	1	175	2.0	13.1	20
BEZA025H8- *	S2B	ZB19KCE-PFV	208-230/1/60	17.9	73	1	175	2.0	24.4	40
	T3B	ZB19KCE-TF5	208-230/3/60	10.0	63	1	175	2.0	14.5	20
BEZA030H8- *	S2B	ZB21KCE-PFV	208-230/1/60	20.7	100	1	315	3.5	29.4	50
	T3B	ZB21KCE-TF5	208-230/3/60	12.1	77	1	315	3.5	18.6	30
	T4B	ZB21KCE-TFD	460/3/60	6.1	39	1	315	1.8	9.4	15
BEZA035H8- *	S2B	ZB26KCE-PFV	208-230/1/60	23.6	127	1	315	3.5	33.0	50
	T3B	ZB26KCE-TF5	208-230/3/60	13.9	88	1	315	3.5	20.9	30
	T4B	ZB26KCE-TFD	460/3/60	7.1	44	1	315	1.8	10.7	15
BEZA040H8- *	S2B	ZB30KCE-PFV	208-230/1/60	26.8	132	1	315	3.5	37.0	60
	T3B	ZB30KCE-TF5	208-230/3/60	15.7	115	1	315	3.5	23.1	35
	T4B	ZB30KCE-TFD	460/3/60	7.5	47.5	1	315	1.8	11.2	15
	T5B	ZB30KCE-TFE	575/3/60	6.4	40	1	315	1.4	9.4	15
BEZA050H8- *	S2B	ZB38KCE-PFV	208-230/1/60	31.1	175	1	315	3.5	42.4	70
	T3B	ZB38KCE-TF5	208-230/3/60	22.1	128	1	315	3.5	31.1	50
	T4B	ZB38KCE-TFD	460/3/60	9.6	63	1	315	1.8	13.8	20
	T5B	ZB38KCE-TFE	575/3/60	7.1	50	1	315	1.4	10.3	15
BEZA060H8- *	T3B	ZB45KCE-TF5	208-230/3/60	22.5	156	1	315	3.5	31.6	50
	T4B	ZB45KCE-TFD	460/3/60	11.5	75	1	315	1.8	16.2	25
	T5B	ZB45KCE-TFE	575/3/60	7.9	54	1	315	1.4	11.3	15
BEZA061H8- *	T3B	ZB48KCE-TF5	208-230/3/60	25.4	164	1	315	3.5	35.3	60
	T4B	ZB48KCE-TFD	460/3/60	13.6	100	1	315	1.8	18.8	30
	T5B	ZB48KCE-TFE	575/3/60	10.1	78	1	315	1.4	14.0	20
BEZA070H8- *	T3B	ZB58K5E-TFC	208-230/3/60	34.3	195	1	315	3.5	46.4	80
	T4B	ZB58K5E-TFD	460/3/60	17.9	95	1	315	1.8	24.2	40
	T5B	ZB58K5E-TFE	575/3/60	13.6	80	1	315	1.4	18.4	30
BEZA076H8- *	T3B	ZB66K5E-TFC	208-230/3/60	39.3	225	2	630	7.0	56.1	90
	T4B	ZB66K5E-TFD	460/3/60	17.3	114	2	630	3.6	25.2	40
	T5B	ZB66K5E-TFE	575/3/60	14.3	80	2	630	2.8	20.7	35
BEZA085H8- *	T3B	ZB76K5E-TFC	208-230/3/60	43.0	239	2	630	7.0	60.8	100
	T4B	ZB76K5E-TFD	460/3/60	20.7	125	2	630	3.6	29.5	50
	T5B	ZB76K5E-TFE	575/3/60	14.6	80	2	630	2.8	21.1	35
BEZA110H8- *	T3B	ZB95K5E-TWC	208-230/3/60	52.9	298	2	1180	10.6	76.7	125
	T4B	ZB95K5E-TFD	460/3/60	25.0	150	2	1180	5.8	37.1	60
	T5B	ZB95K5E-TFE	575/3/60	20.8	123	2	1180	4.2	30.2	50
BEZA150H8- *	T3B	ZB114K5E-TWC	208-230/3/60	63.0	321	2	1180	10.6	89.4	150
	T4B	ZB114K5E-TFD	460/3/60	27.9	179	2	1180	5.8	40.7	60
	T5B	ZB114K5E-TWE	575/3/60	22.4	132	2	1180	4.2	32.2	50

* I = Indoor, H = Outdoor. Above listed RLA value is based on UL rating method and may differ from published compressor RLA data.

† Applies to units with variable speed EC motors, SmartSpeed (1- 15 HP only), or LIMITROL+ (5+ HP only). Contact factory for details.

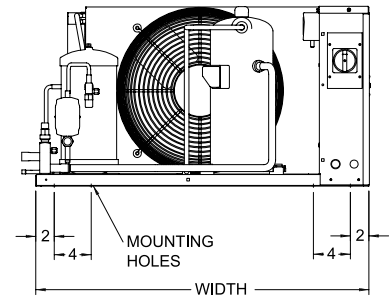
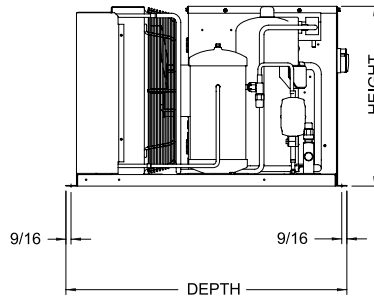
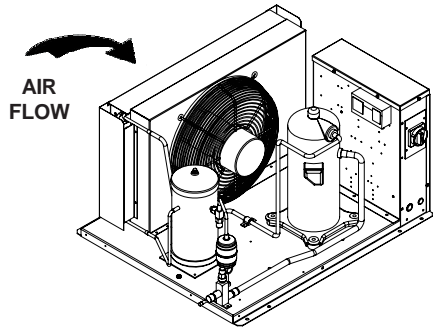
MODEL BEZA	COMPRESSOR MODEL NO.	POWER SUPPLY	COMPRESSOR		ECM CONDENSER FAN			UNIT		
			RLA	LRA	QTY	WATTS	FLA	MCA	MOP	
BEZA020L8-*	S2B	ZF06K4E-PFV	208-230/1/60	13.6	61	1	100	1.0	18.0	30
	T3B	ZF06K4E-TF5	208-230/3/60	9.3	55	1	100	1.0	12.6	20
BEZA025L8-*	S2B	ZF08K4E-PFV	208-230/1/60	16.4	73	1	175	2.0	22.5	35
	T3B	ZF08K4E-TF5	208-230/3/60	9.6	63	1	175	2.0	14.0	20
BEZA030L8-*	S2B	ZF09K4E-PFV	208-230/1/60	15.4	88	1	175	2.0	21.3	35
	T3B	ZF09K4E-TF5	208-230/3/60	9.9	77	1	175	2.0	14.4	20
BEZA035L8*	S2B	ZF11K4E-PFV	208-230/1/60	20.7	109	1	175	2.0	27.9	45
	T3B	ZF11K4E-TF5	208-230/3/60	12.7	88	1	175	2.0	17.9	30
BEZA045L8-*	S2B	ZF13K4E-PFV	208-230/1/60	25.0	129	1	315	3.5	34.8	50
	T3B	ZF13K4E-TF5	208-230/3/60	13.8	99	1	315	3.5	20.8	30
BEZA055L8-*	S2B	ZF15K4E-PFV	208-230/1/60	27.9	169	1	315	3.5	38.4	60
	T3B	ZF15K4E-TF5	208-230/3/60	18.9	123	1	315	3.5	27.1	40
	T4B	ZF15K4E-TFD	460/3/60	8.9	62	1	315	1.8	12.9	20
	T5B	ZF15K4E-TFE	575/3/60	6.4	50	1	315	1.4	9.4	15
BEZA060L8-*	T3B	ZF18K4E-TF5	208-230/3/60	21.8	156	1	315	3.5	30.8	50
	T4B	ZF18K4E-TFD	460/3/60	9.0	75	1	315	1.8	13.1	20
	T5B	ZF18K4E-TFE	575/3/60	7.9	54	1	315	1.4	11.3	15
BEZA075L8-*	T3B	ZF25K4E-TF5	208-230/3/60	26.7	224	1	315	3.5	36.9	60
	T4B	ZF25K4E-TFD	460/3/60	11.9	99	1	315	1.8	16.7	25
	T5B	ZF25K4E-TFE	575/3/60	9.1	82.4	1	315	1.4	12.8	20
BEZA100L8-*	T3B	ZF34K5E-TFC	208-230/3/60	37.1	239	1	315	3.5	49.9	80
	T4B	ZF34K5E-TFD	460/3/60	17.9	100	1	315	1.8	24.2	40
	T5B	ZF34K5E-TFE	575/3/60	14.3	100	1	315	1.4	19.3	30
BEZA130L8-*	T3B	ZF41K5E-TFC	208-230/3/60	42.1	248	2	630	7.0	59.6	100
	T4B	ZF41K5E-TFD	460/3/60	19.3	125	2	630	3.6	27.7	45
	T5B	ZF41K5E-TFE	575/3/60	15.6	100	2	630	2.8	22.3	35
BEZA150L8-*	T3B	ZF49K5E-TFC	208-230/3/60	50.7	339	2	630	7.0	70.4	100
	T4B	ZF49K5E-TFD	460/3/60	20.2	139	2	630	3.6	28.9	45
	T5B	ZF49K5E-TFE	575/3/60	18.2	123	2	630	2.8	25.6	40

* I = Indoor, H = Outdoor. Above listed RLA value is based on UL rating method and may differ from published compressor RLA data.

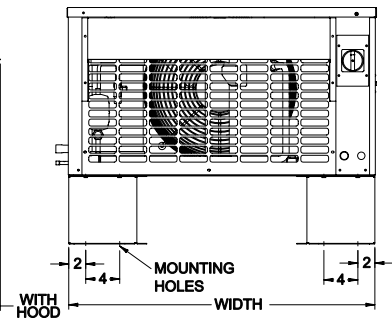
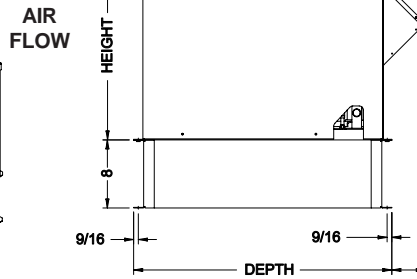
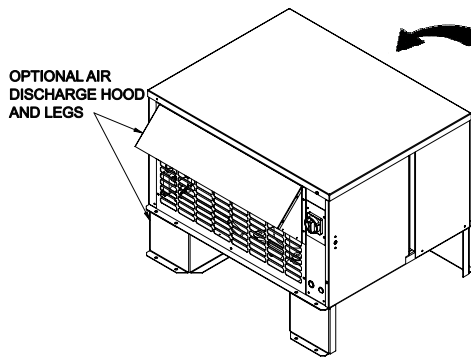
† Applies to units with variable speed EC motors, SmartSpeed (1/2 - 5 HP only), or LIMITROL+ (5+ HP only). Contact factory for details.

**DIMENSIONAL DATA
(1 Fan Models Small Chassis)**

DRAWING #1

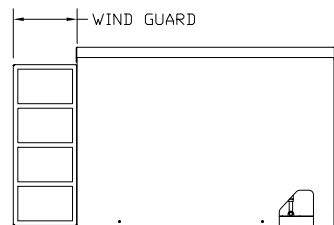
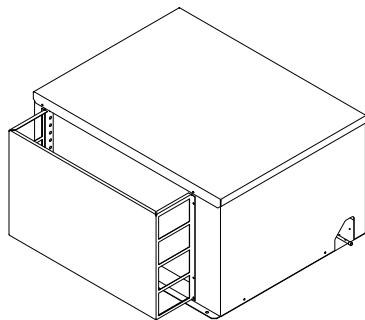


INDOOR DIMENSIONS



OUTDOOR DIMENSIONS

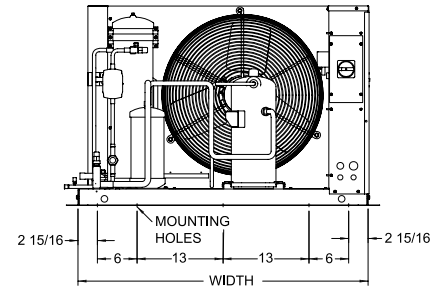
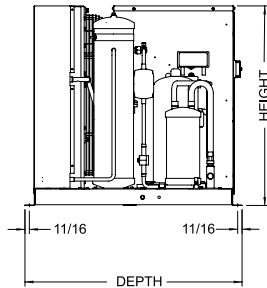
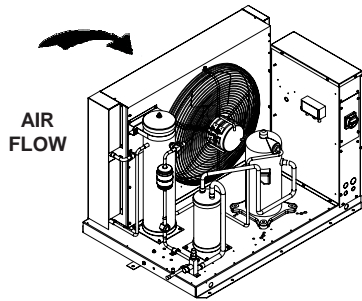
NOTE: Discharge hood, legs and wind guard are optional components



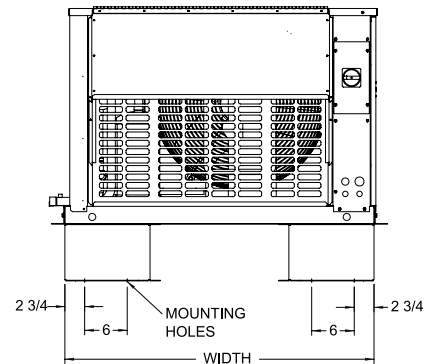
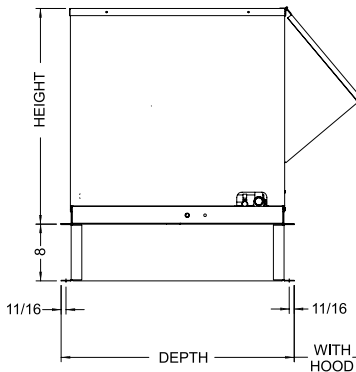
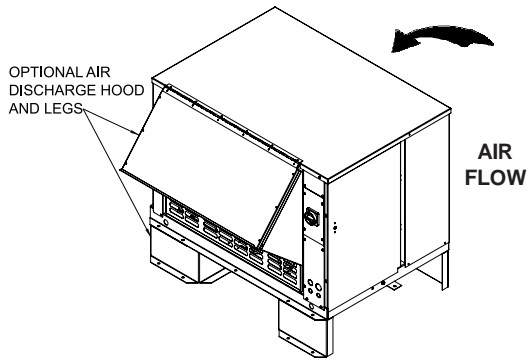
**REFER TO PAGE 33 FOR
DIMENSIONAL DATA FOR SPECIFIC MODELS**

DIMENSIONAL DATA (1 Fan Models Large Chassis)

DRAWING #2

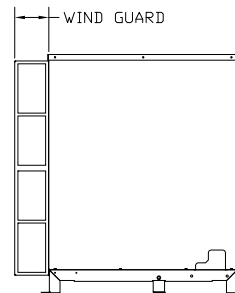
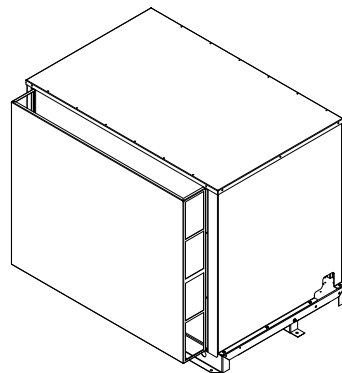


INDOOR DIMENSIONS



OUTDOOR DIMENSIONS

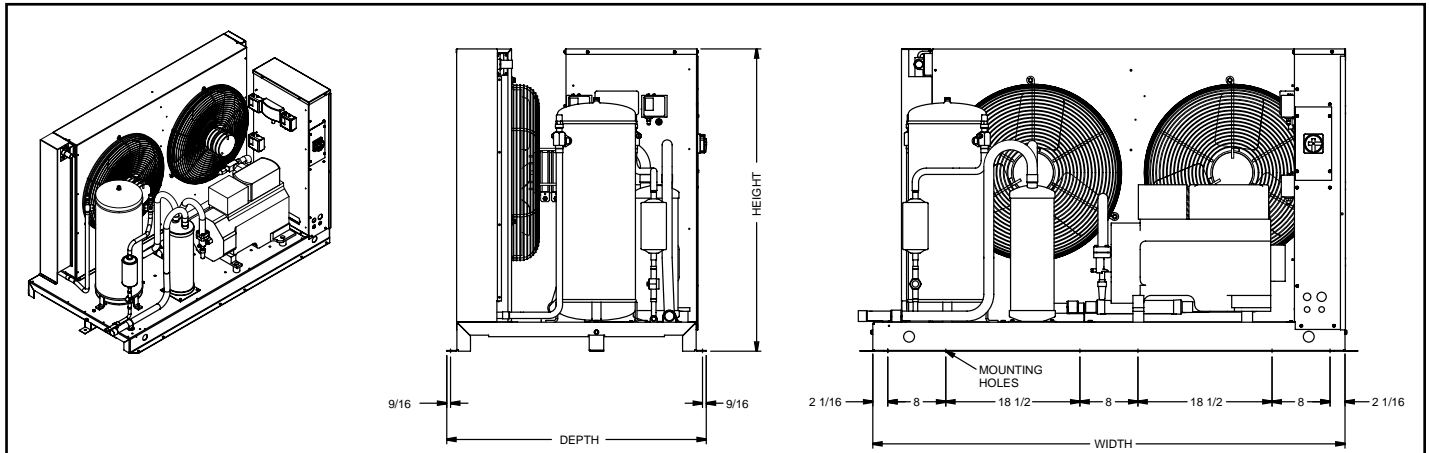
NOTE: Discharge hood, legs and wind guard are optional components



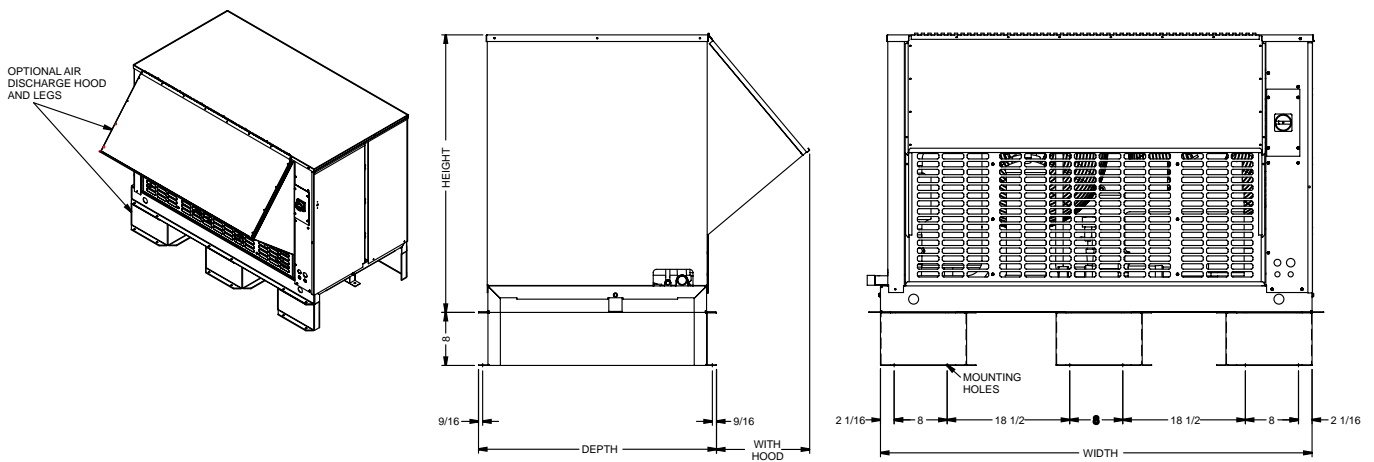
REFER TO PAGE 33 FOR
DIMENSIONAL DATA FOR SPECIFIC MODELS

DIMENSIONAL DATA (2 Fan Models Small Chassis)

DRAWING #3

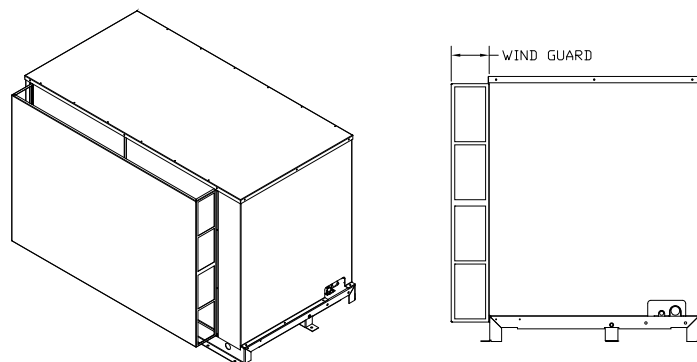


INDOOR DIMENSIONS



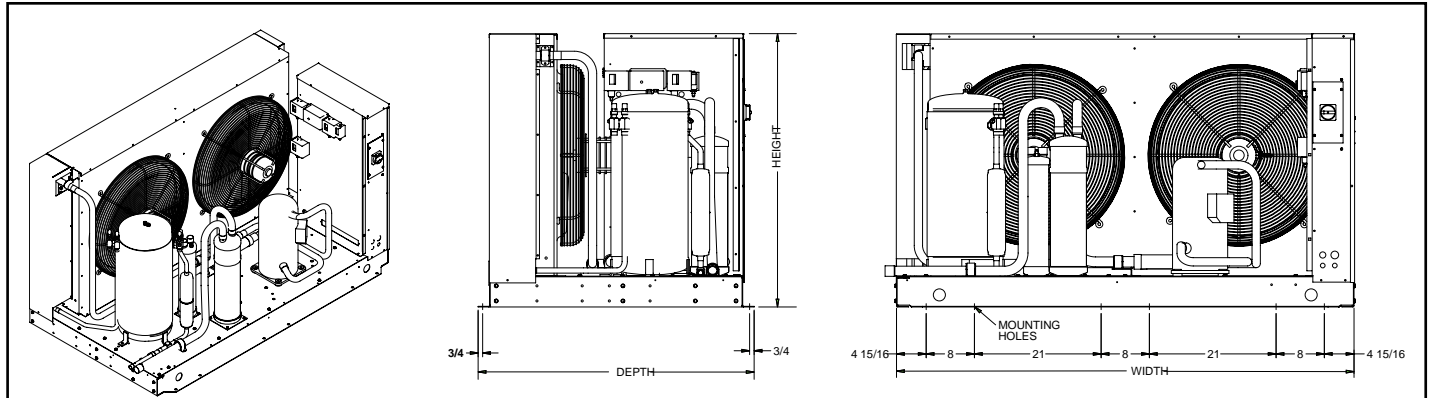
OUTDOOR DIMENSIONS

NOTE: Discharge hood and legs are optional components

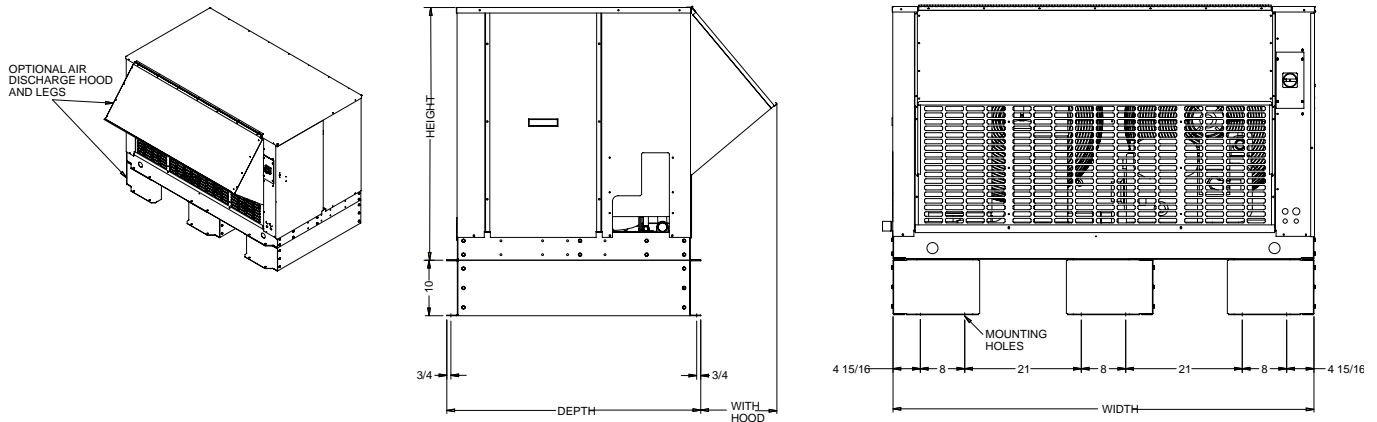


REFER TO PAGE 33 FOR
DIMENSIONAL DATA FOR SPECIFIC MODELS

DRAWING #4

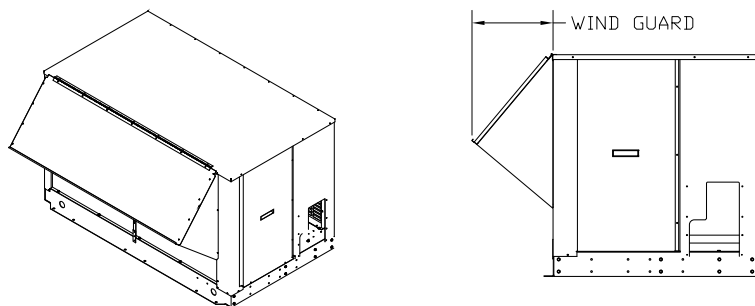


INDOOR DIMENSIONS



OUTDOOR DIMENSIONS

NOTE: Discharge hood, legs and wind guard are optional components



**REFER TO PAGE 33 FOR
DIMENSIONAL DATA FOR SPECIFIC MODELS**

MODEL BEZA	CHASSIS	DRAWING # (see table below)	OUTDOOR MODELS										INDOOR MODELS					
			WIDTH		DEPTH						HEIGHT		WIDTH		DEPTH		HEIGHT	
					Base		Hood, add:		Wind Guard, add:									
Inches	mm	Inches	mm	Inches	mm	Inches	mm	Inches	mm	Inches	mm	Inches	mm	Inches	mm	Inches	mm	
BEZA010H8	B	1	36 3/8	924	30 3/8	772	4	102	7	178	19 7/8	505	36 3/8	924	30 3/8	772	19 1/2	495
BEZA011H8		1	36 3/8	924	30 3/8	772	4	102	7	178	19 7/8	505	36 3/8	924	30 3/8	772	19 1/2	495
BEZA015H8		1	36 3/8	924	30 3/8	772	4	102	7	178	19 7/8	505	36 3/8	924	30 3/8	772	19 1/2	495
BEZA020H8		1	36 3/8	924	30 3/8	772	4	102	7	178	19 7/8	505	36 3/8	924	30 3/8	772	19 1/2	495
BEZA025H8		1	36 3/8	924	30 3/8	772	4	102	7	178	19 7/8	505	36 3/8	924	30 3/8	772	19 1/2	495
BEZA030H8	C	2	43 7/8	1114	32 7/8	835	10 1/8	257	8	203	30 3/8	772	43 7/8	1114	32 7/8	835	30 3/16	767
BEZA035H8		2	43 7/8	1114	32 7/8	835	10 1/8	257	8	203	30 3/8	772	43 7/8	1114	32 7/8	835	30 3/16	767
BEZA040H8		2	43 7/8	1114	32 7/8	835	10 1/8	257	8	203	30 3/8	772	43 7/8	1114	32 7/8	835	30 3/16	767
BEZA050H8		2	43 7/8	1114	32 7/8	835	10 1/8	257	8	203	30 3/8	772	43 7/8	1114	32 7/8	835	30 3/16	767
BEZA060H8	D	2	52 1/8	1324	35 7/8	911	7 1/8	181	6	152	41 7/8	1064	52 1/8	1324	35 7/8	911	41 11/16	1059
BEZA061H8		2	52 1/8	1324	35 7/8	911	7 1/8	181	6	152	41 7/8	1064	52 1/8	1324	35 7/8	911	41 11/16	1059
BEZA070H8		2	52 1/8	1324	35 7/8	911	7 1/8	181	6	152	41 7/8	1064	52 1/8	1324	35 7/8	911	41 11/16	1059
BEZA076H8	E	3	65 1/8	1654	35 7/8	911	7 1/8	181	6	152	41 7/8	1064	65 1/8	1654	35 7/8	911	41 11/16	1059
BEZA085H8		3	65 1/8	1654	35 7/8	911	7 1/8	181	6	152	41 7/8	1064	65 1/8	1654	35 7/8	911	41 11/16	1059
BEZA110H8	F	4	75 7/8	1927	45 3/4	1162	13 1/4	349	6	152	45 1/2	1156	75 7/8	1927	45 3/4	1162	45 17/32	1156
BEZA150H8		4	75 7/8	1927	45 3/4	1162	13 1/4	349	6	152	45 1/2	1156	75 7/8	1927	45 3/4	1162	45 17/32	1156
BEZA020L8	B	1	36 3/8	924	30 3/8	772	4	102	7	178	19 7/8	505	36 3/8	924	30 3/8	772	19 1/2	495
BEZA025L8		1	36 3/8	924	30 3/8	772	4	102	7	178	19 7/8	505	36 3/8	924	30 3/8	772	19 1/2	495
BEZA030L8		1	36 3/8	924	30 3/8	772	4	102	7	178	19 7/8	505	36 3/8	924	30 3/8	772	19 1/2	495
BEZA035L8		1	36 3/8	924	30 3/8	772	4	102	7	178	19 7/8	505	36 3/8	924	30 3/8	772	19 1/2	495
BEZA045L8	C	2	43 7/8	1114	32 7/8	835	10 1/8	257	8	203	30 3/8	772	43 7/8	1114	32 7/8	835	30 3/16	767
BEZA055L8		2	43 7/8	1114	32 7/8	835	10 1/8	257	8	203	30 3/8	772	43 7/8	1114	32 7/8	835	30 3/16	767
BEZA060L8		2	43 7/8	1114	32 7/8	835	10 1/8	257	8	203	30 3/8	772	43 7/8	1114	32 7/8	835	30 3/16	767
BEZA075L8	D	2	52 1/8	1324	35 7/8	911	7 1/8	181	6	152	41 7/8	1064	52 1/8	1324	35 7/8	911	41 11/16	1059
BEZA100L8		2	52 1/8	1324	35 7/8	911	7 1/8	181	6	152	41 7/8	1064	52 1/8	1324	35 7/8	911	41 11/16	1059
BEZA130L8	E	3	65 1/8	1654	35 7/8	911	7 1/8	181	6	152	41 7/8	1064	65 1/8	1654	35 7/8	911	41 11/16	1059
BEZA150L8		3	65 1/8	1654	35 7/8	911	7 1/8	181	6	152	41 7/8	1064	65 1/8	1654	35 7/8	911	41 11/16	1059

DRAWING #	PAGE #
1	29
2	30
3	31
4	32

**ANNUAL WALK-IN ENERGY FACTOR (AWEF) RATINGS
FOR HIGH/MEDIUM TEMP. APPLICATIONS**

BASE UNIT MODEL BEZA	AWEF	
	OUTDOOR MODELS	INDOOR MODELS
BEZA010H8	7.01	5.74
BEZA011H8	7.17	5.78
BEZA015H8	7.34	5.82
BEZA020H8	7.48	5.28
BEZA025H8	8.04	5.89
BEZA030H8	8.06	6.11
BEZA035H8	8.05	6.01
BEZA040H8	8.31	6.07
BEZA050H8	8.41	6.09
BEZA060H8	8.96	6.77
BEZA061H8	8.97	6.64
BEZA070H8	8.39	6.32
BEZA076H8	8.26	6.38
BEZA085H8	8.18	6.24
BEZA110H8	7.99	6.21
BEZA150H8	7.96	6.09

MODEL BEZA	UNIT CONNECTIONS				R404A RECEIVER CAPACITY 90% FULL *		APPROX. SHIPPING WEIGHT			
	SUCTION (OD)		LIQUID (OD)		Lbs.	Kgs	OUTDOOR MODELS		INDOOR MODELS	
	Inches	mm	Inches	mm			Lbs.	Kgs	Lbs.	Kgs
BEZA010H8	5/8	16	3/8	10	11	4.9	285	129	265	120
BEZA011H8	5/8	16	3/8	10	11	4.9	285	129	265	120
BEZA015H8	7/8	22	3/8	10	11	4.9	285	129	265	120
BEZA020H8	7/8	22	3/8	10	11	4.9	280	127	300	136
BEZA025H8	7/8	22	1/2	13	14	6.3	290	132	320	145
BEZA030H8	7/8	22	1/2	13	22	9.9	380	172	410	186
BEZA035H8	7/8	22	1/2	13	22	9.9	380	172	415	188
BEZA040H8	1 1/8	29	1/2	13	22	9.9	390	177	420	191
BEZA050H8	1 1/8	29	1/2	13	22	9.9	390	177	425	193
BEZA060H8	1 1/8	29	5/8	16	30	13.8	430	195	470	213
BEZA061H8	1 1/8	29	5/8	16	30	13.6	510	231	465	211
BEZA070H8	1 3/8	35	5/8	16	30	13.6	470	213	515	234
BEZA076H8	1 3/8	35	5/8	16	54	24.5	580	263	635	288
BEZA085H8	1 3/8	35	5/8	16	54	24.5	590	268	645	293
BEZA110H8	1 3/8	35	7/8	22	76	34.5	745	338	690	313
BEZA150H8	1 5/8	41	7/8	22	76	34.5	845	383	790	358
BEZA020L8	7/8	22	3/8	10	11	4.9	290	132	315	143
BEZA025L8	7/8	22	3/8	10	14	6.3	310	141	335	152
BEZA030L8	7/8	22	3/8	10	14	6.3	390	177	425	193
BEZA035L8	7/8	22	1/2	13	14	6.3	400	181	430	195
BEZA045L8	1 1/8	29	1/2	13	22	9.9	400	181	435	197
BEZA055L8	1 1/8	29	1/2	13	22	9.9	400	181	440	200
BEZA060L8	1 1/8	29	1/2	13	22	10.0	450	204	485	220
BEZA075L8	1 3/8	35	5/8	16	30	13.8	460	209	495	225
BEZA100L8^	1 3/8	35	5/8	16	30	13.6	500	227	545	247
BEZA130L8	1 3/8	35	5/8	16	54	24.5	670	304	725	329
BEZA150L8	1 3/8	35	5/8	16	54	24.5	690	313	745	338

^ Options may be limited. Consult factory for details.

*** NOTE ON ALTERNATE REFRIGERANTS:**

* PUBLISHED RECEIVER CAPACITY IS BASED ON **R404A** ON MODELS USING "8" AS REFRIGERANT CODE.
FOR ALTERNATE REFRIGERANTS, MULTIPLY **R404A** VALUE BY THE APPROPRIATE VALUE BELOW:

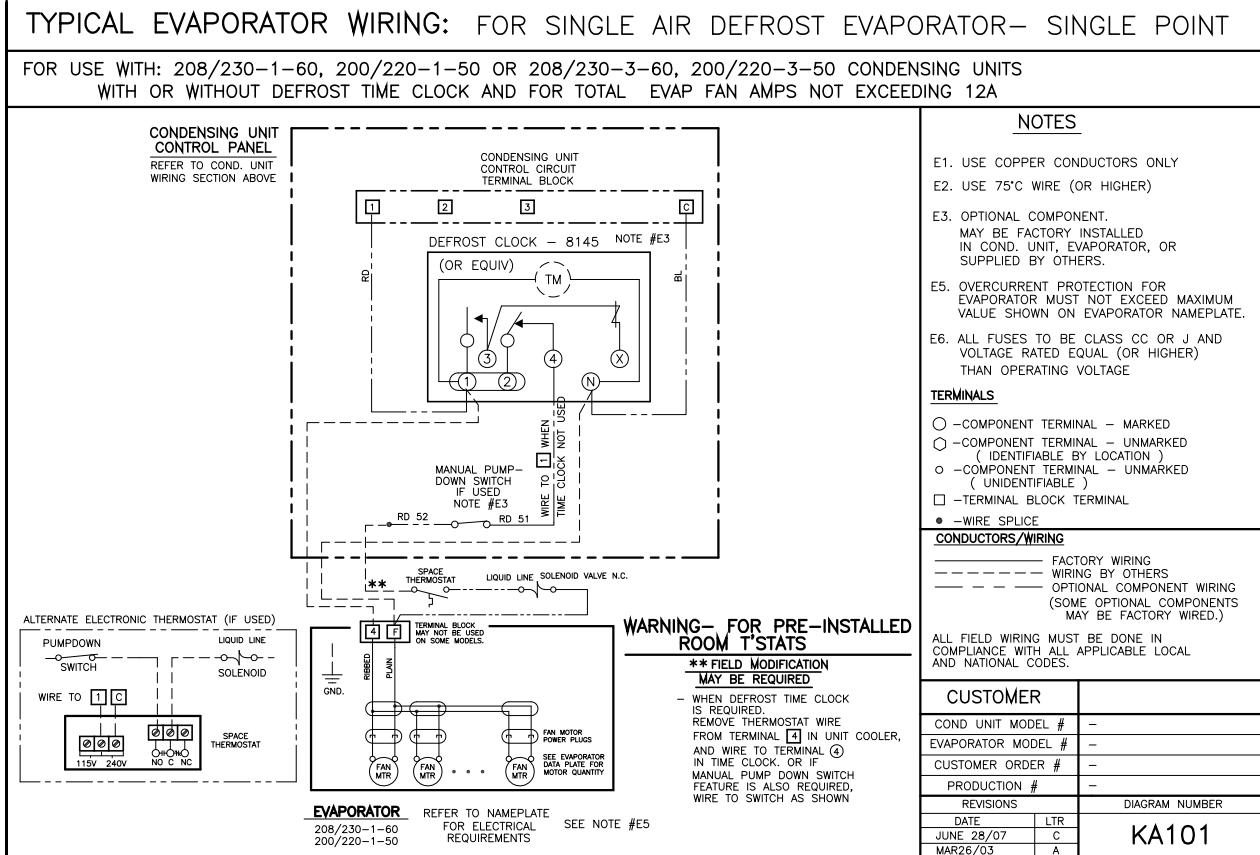
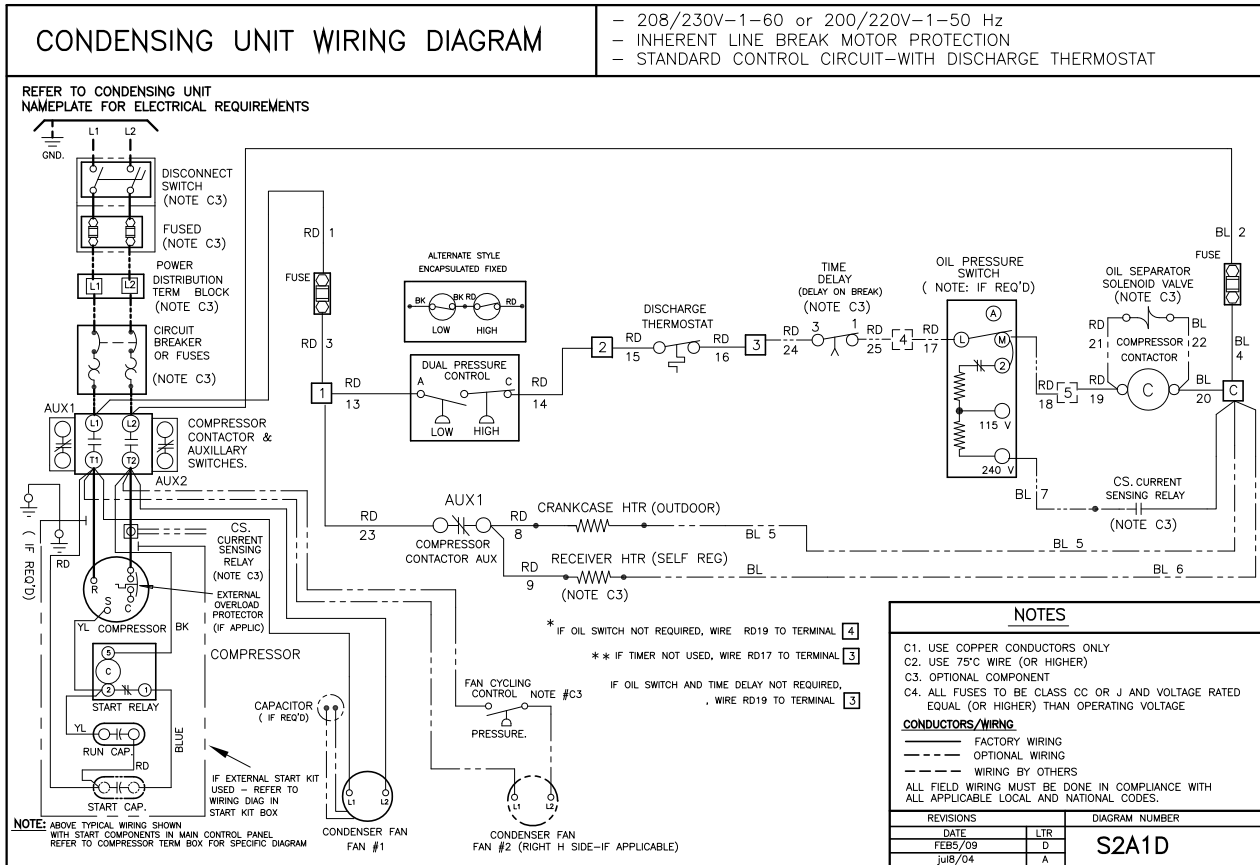
R407A	R407C	R448A	R507	R22
1.10	1.10	1.05	1.00	1.15

- For R449A, use R448A data.

TYPICAL SYSTEM WIRING DIAGRAM

208-230/1/60 Unit

with 230V Air Defrost Evaporator



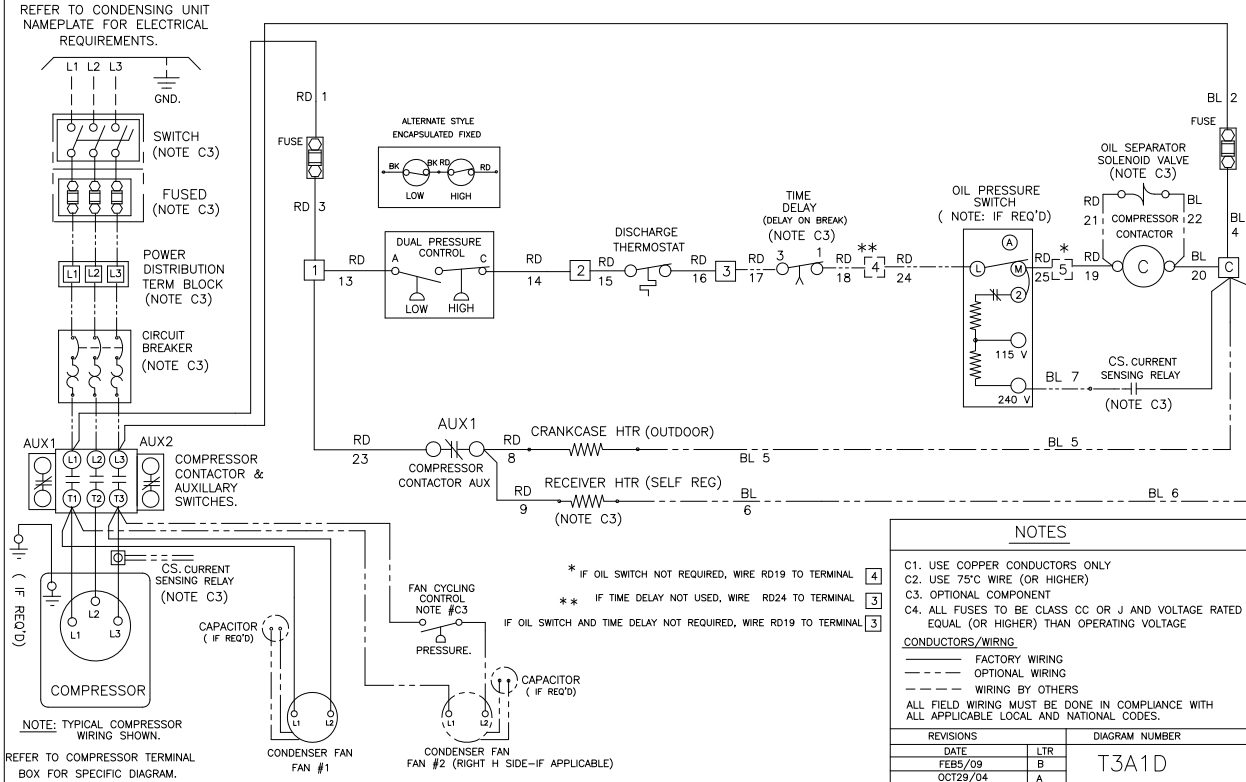
TYPICAL SYSTEM WIRING DIAGRAM

208-230/3/60 Unit

with 230V Electric Defrost Evaporator

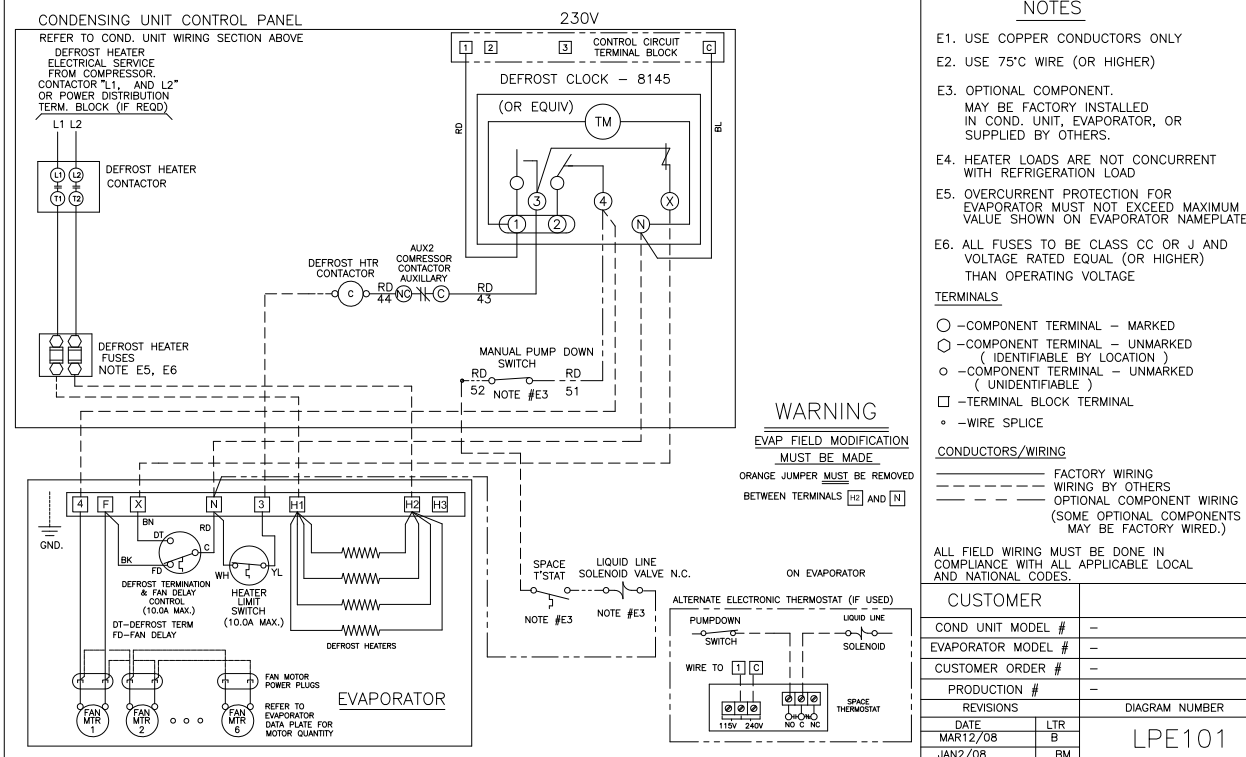
CONDENSING UNIT WIRING DIAGRAM

- 208/230V-3-60 or 200/220V-3-50 Hz
- INHERENT LINE BREAK MOTOR PROTECTION
- STANDARD CONTROL CIRCUIT - WITH DISCHARGE TSTAT



TYPICAL EVAPORATOR WIRING: FOR SINGLE LOW PROFILE ELECT 1 PHASE DEFROST EVAPORATOR-SINGLE POINT

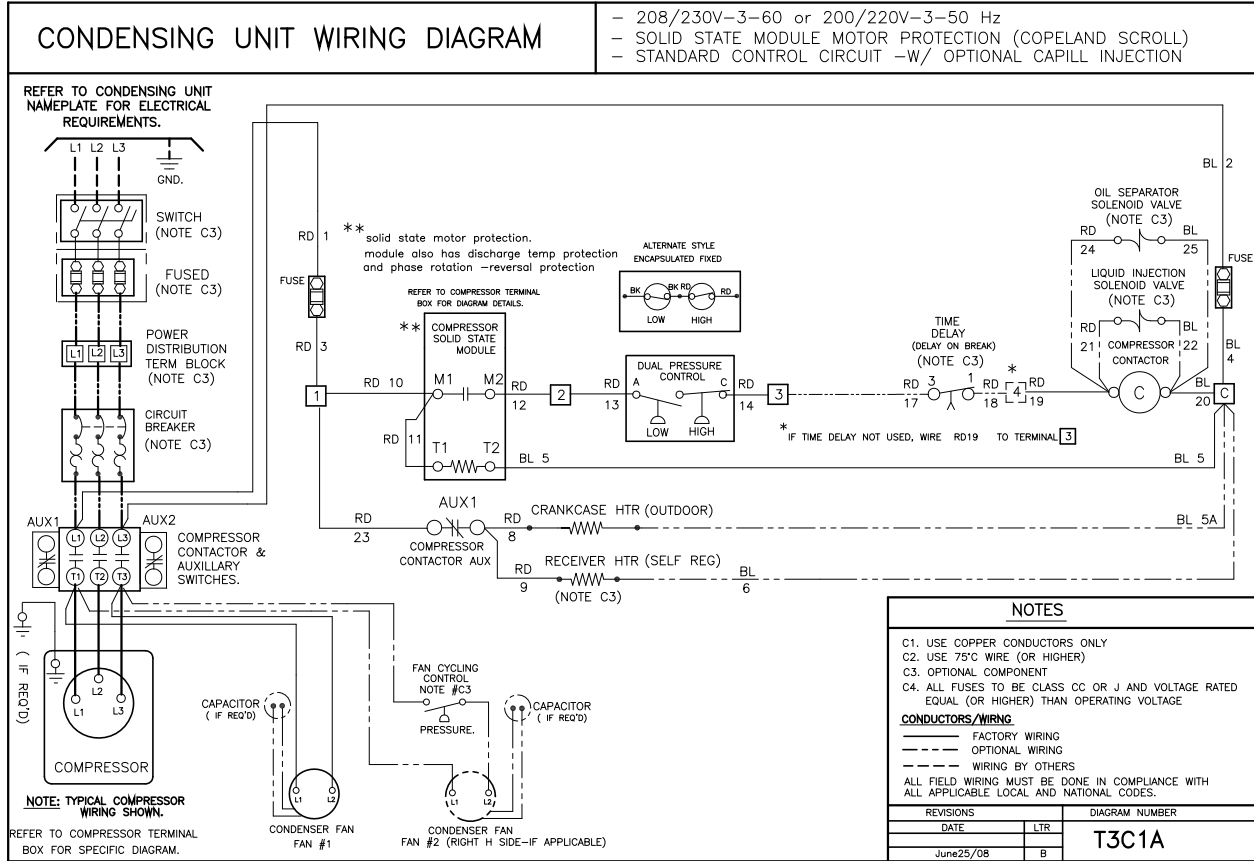
FOR USE WITH: 230V SINGLE OR THREE PHASE CONDENSING UNITS WITH DEFROST TIME CLOCK, AND DEFROST HEATER CONTACTOR



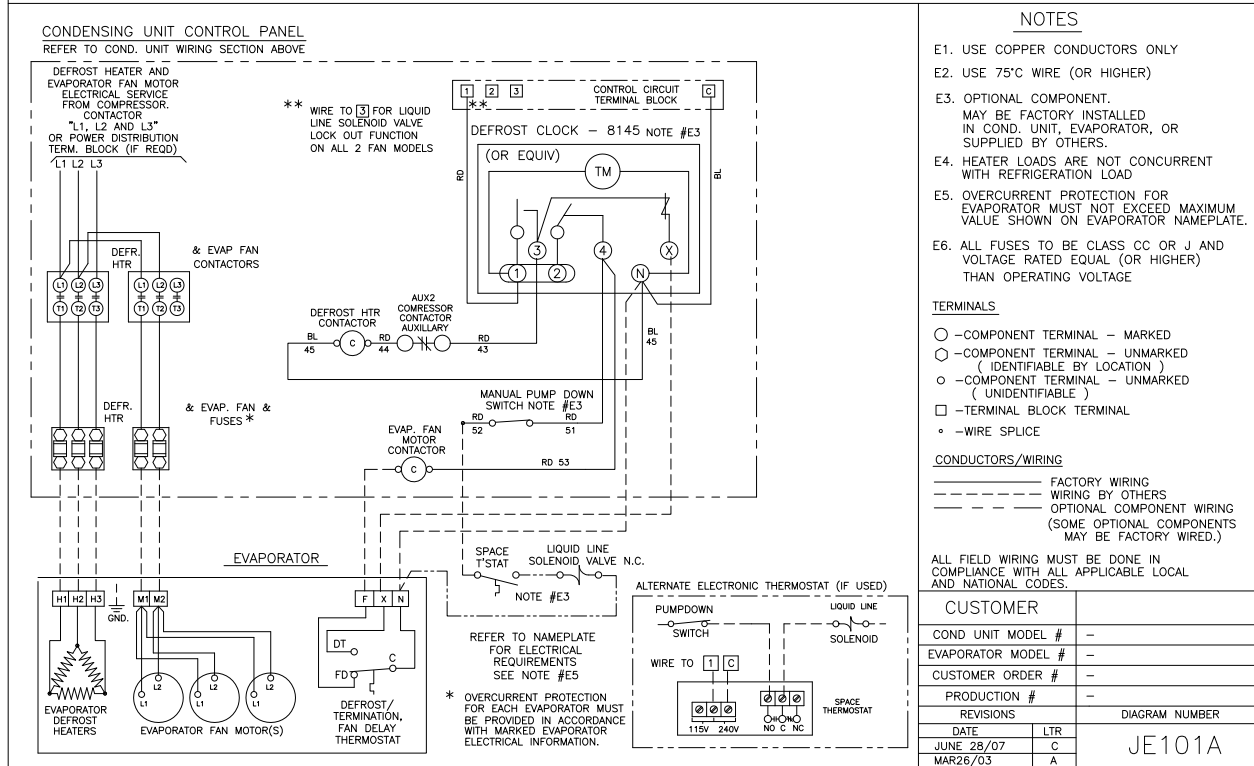
TYPICAL SYSTEM WIRING DIAGRAM

208-230/3/60 Unit

with 230V Electric Defrost Evaps



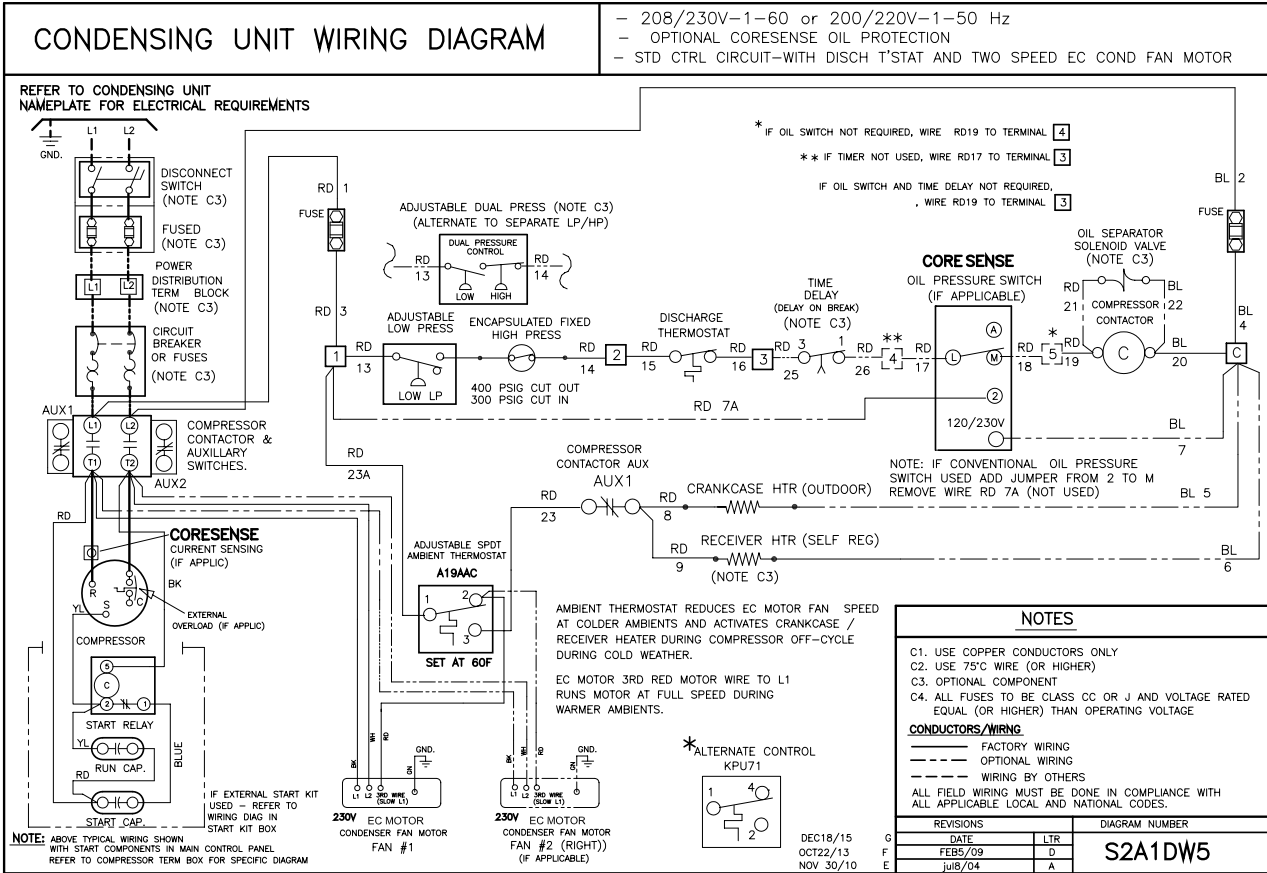
TYPICAL EVAPORATOR WIRING: FOR SINGLE MED PROFILE ELECT DEFROST EVAPORATOR- SINGLE POINT
 FOR USE WITH: THREE PHASE CONDENSING UNITS WITH DEFROST TIME CLOCK, & EVAP FAN AND DEFR. HTR. CONTACTORS.



TYPICAL SYSTEM WIRING DIAGRAM

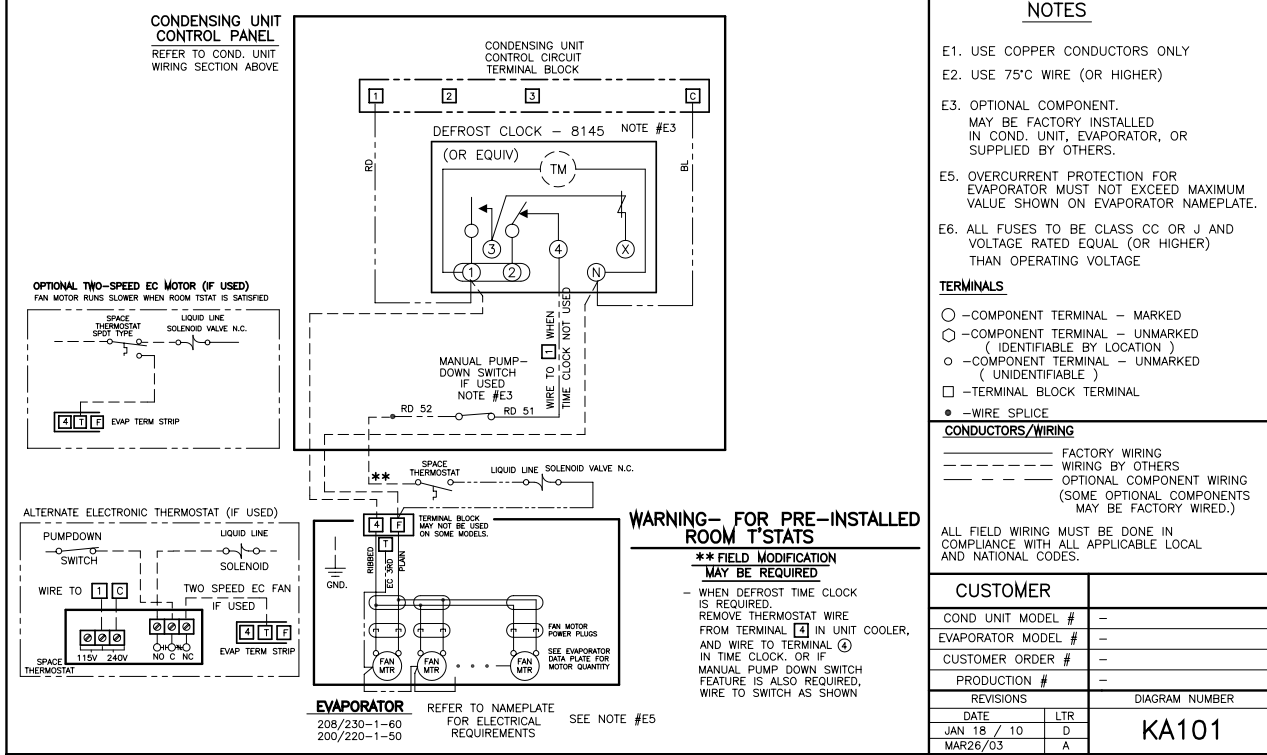
208-230/1/60 Unit with SMARTSPEED™

with 230V Air Defrost Evaporator



TYPICAL EVAPORATOR WIRING: FOR SINGLE AIR DEFROST EVAPORATOR— SINGLE POINT

FOR USE WITH: 208/230-1-60, 200/220-1-50 OR 208/230-3-60, 200/220-3-50 CONDENSING UNITS WITH OR WITHOUT DEFROST TIME CLOCK AND FOR TOTAL EVAP FAN AMPS NOT EXCEEDING 12A



NOTES

NOTES


System	
Model Number	Date of Start-Up
Serial Number	Service Contractor
Refrigerant	Phone
Electrical Supply	Fax

 <p>PRODUCT SUPPORT</p>	<p><i>web:</i> b-rp.ca/bez <i>email:</i> smcu@b-rp.ca <i>call:</i> 1-844-893-3222 x521</p>
---	---

 <p>TROUBLESHOOTING</p>	<p><i>email:</i> troubleshooting@b-rp.ca <i>call:</i> 1-844-893-3222 x529</p>
---	---

 <p>SERVICE PARTS</p>	<p><i>web:</i> b-rp.ca/parts <i>email:</i> parts@b-rp.ca <i>call:</i> 1-844-893-3222 x501</p>
---	--

 <p>WARRANTY</p>	<p><i>web:</i> b-rp.ca/warranty <i>email:</i> warranty@b-rp.ca <i>call:</i> 1-844-893-3222 x501</p>
---	--

 <p>ORDERS</p>	<p><i>email:</i> orders@b-rp.ca <i>call:</i> 1-844-893-3222 x501</p>
--	--

 <p>SHIPPING</p>	<p><i>email:</i> shipping@b-rp.ca <i>call:</i> 1-844-893-3222 x503</p>
--	--



General Sales, Parts & Service, Manufacturing & Engineering
135 Little Nine Drive, Morehead City, NC 28557
252-240-2829 • 1-800-24-BALLY • FAX: 252-240-0384
e-mail: ballysales@ballyrefboxes.com • www.ballyrefboxes.com



DISTRIBUTED BY: