



BES-Line Condensing Units

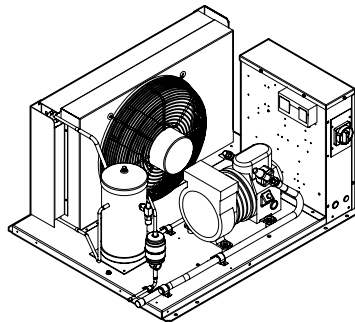
PRODUCT DATA & SPECIFICATIONS

Bulletin B40-BES-PDS-14
Part # 1087392

	PRODUCT SUPPORT	scan: 
	web: b-rp.ca/bes	
	email: smcu@b-rp.ca	
	call: 1-844-893-3222 x521	

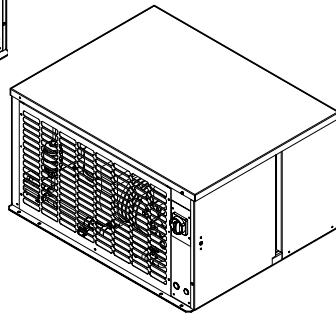
60
Hz

Indoor/Outdoor
Air-Cooled Semi-Hermetic
Condensing Units
1/2 to 22 HP -
High, Medium and Low
Temperature Refrigeration



Indoor Unit

Outdoor Unit



SMARTSPEED™

FAN MOTOR TECHNOLOGY
See Page 4 for details



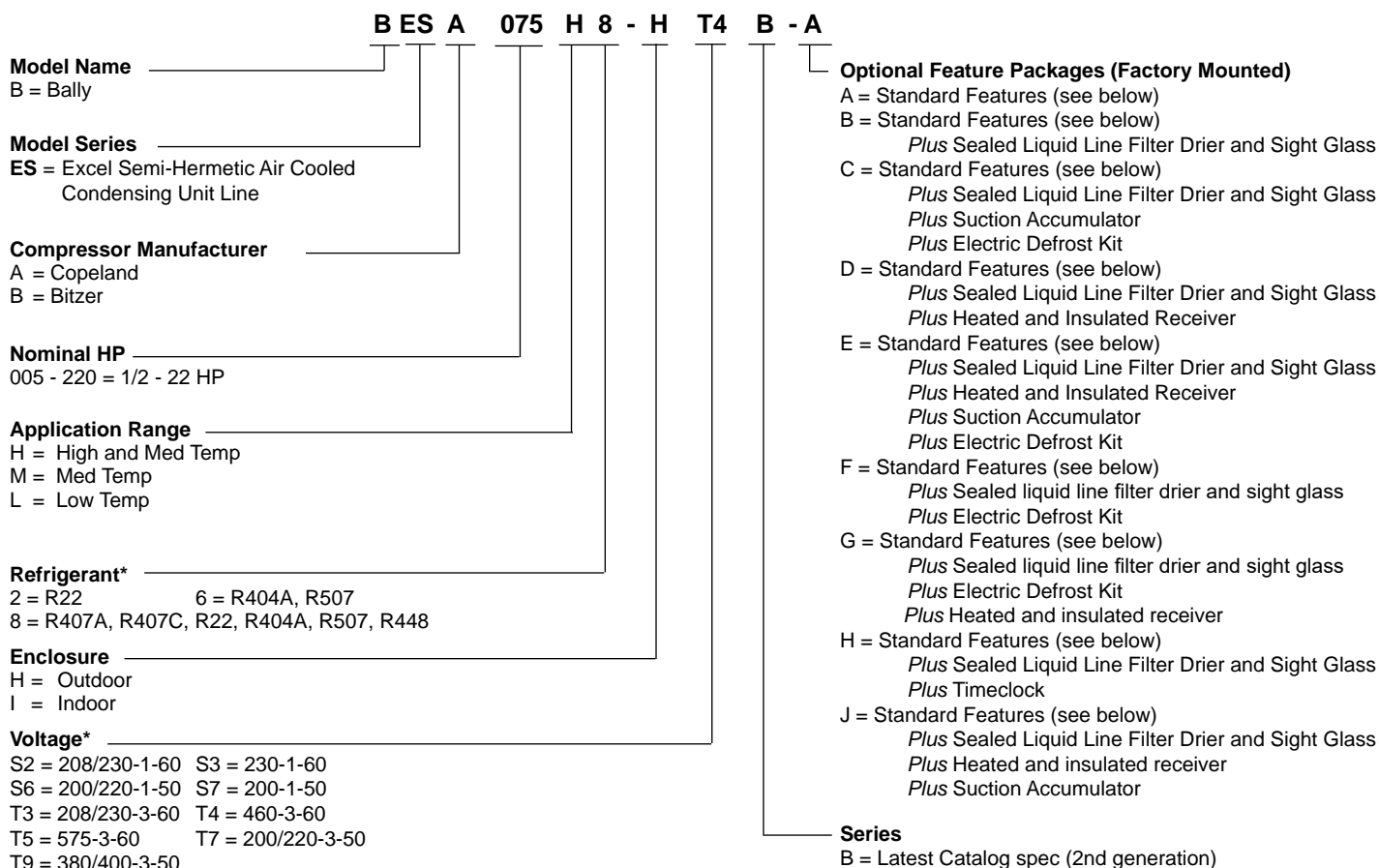
LIMITROL +

FLOATING HEAD PRESSURE CONTROL SYSTEM
See Page 5 for details

CONTENTS

	Page
Nomenclature.....	2
Features.....	2 - 3
SMARTSPEED™ Fan Motor Technology	4
LIMITROL + Floating Head Pressure Control System.....	5
Capacity Data (Imperial and <i>Metric</i>).....	6 - 44
Electrical Data.....	45 - 52
Dimensional Data.....	53 - 56
Annual Walk-In Energy Factor (AWEF) Ratings.....	57 - 58
Specifications.....	59 - 60
Wiring Diagrams.....	61 - 65
Wiring Diagrams - Models with SMARTSPEED™	66
Project Information.....	67
Product Support Resources.....	BACK

NOMENCLATURE



* subject to compressor availability

STANDARD FEATURES

Indoor Unit:

- Compatible with Low GWP Refrigerants
- Weatherproof electrical control box with compressor contactor and fused control circuit
- Spring mounted accessible semi-hermetic compressor with suction and discharge vibration eliminator
- High efficiency enhanced tube and fin condenser design
- Energy efficient PSC condenser fan motor
- Receiver with fusible plug and liquid shut off valve
- Fixed high pressure switch and adjustable low pressure control
- Receiver inlet and outlet shutoff valve (8HP and above)
- Suction service valve
- Pre-formed copper tubing
- Unit leak tested and shipped with Helium holding charge
- Electronic liquid injection on L8 units
- Painted cabinet

Outdoor Unit: All Standard Features of Indoor Unit, Plus:

- Outdoor weather-resistant housing with removable hood
- Flooded head pressure control (non adjustable)
- Adjustable head pressure control on large 2 fan models
- Crankcase heater
- Fan cycling control (all 2 fan models)

OPTIONAL FEATURE PACKAGES (Factory Mounted)

Package A:

- Standard Features (see pg. 2)

Package B:

- Standard Features (see pg. 2)
- *Plus* Sealed Liquid Line Filter Drier & Sight Glass

Package C:

- Standard Features (see pg. 2)
- *Plus* Sealed Liquid Line Filter Drier & Sight Glass
- *Plus* Suction Accumulator
- *Plus* Electric Defrost Kit

Package D:

- Standard Features (see pg. 2)
- *Plus* Sealed Liquid Line Filter Drier & Sight Glass
- *Plus* Heated and Insulated Receiver

Package E:

- Standard Features (see pg. 2)
- *Plus* Sealed Liquid Line Filter Drier & Sight Glass
- *Plus* Heated and Insulated Receiver
- *Plus* Suction Accumulator
- *Plus* Electric Defrost Kit

Package F:

- Standard Features (see pg. 2)
- *Plus* Sealed liquid line filter drier and sight glass
- *Plus* Electric Defrost Kit

Package G:

- Standard Features (see pg. 2)
- *Plus* Sealed liquid line filter drier and sight glass
- *Plus* Electric Defrost Kit
- *Plus* Heated and insulated receiver

Package H:

- Standard Features (see pg. 2)
- *Plus* Sealed Liquid Line Filter Drier and Sight Glass
- *Plus* Timeclock

Package J:

- Standard Features (see pg. 2)
- *Plus* Sealed Liquid Line Filter Drier and Sight Glass
- *Plus* Heated and insulated receiver
- *Plus* Suction Accumulator

AVAILABLE OPTIONS

- Suction accumulator
- Suction accumulator with boil-out coil
- Discharge line Check valve
- Oil separator
- Oil separator c/w oil return filter & solenoid valve
- Adjustable head pressure control valves
- Receiver inlet ball valve (standard on 2 fan models)
- Heated and Insulated receiver
- Over-sized receiver
- Sealed liquid line filter drier & sight-glass
- Ball valve - liquid line (shipped loose)
- Insulated suction lines
- Leg Kits
- Discharge air hood
- Sub cooling circuit on 5 - 22 HP models
- Variable speed EC motors only as head pressure control (see Bulletin B40-HPC-AG for details)
- QuickVac Evacuation and Refrigerant Recovery Valves
- Galvanized Cabinet
- Liquid line solenoid valve-(with standard 230 volt coil)-shipped loose
- Compressor Circuit breaker
- Current sensing relay - for use with Oil safety control (where applicable)
- Defrost heater contactor c/w fuse block
- Evaporator Fan contactor c/w fuse block
- Disconnect switch
- Disconnect Fusing
- Pump down toggle switch
- Lock out control circuit
- Hoffmann Speed control for condenser fan (replaces flooded valve)
- Time delay relay for compressor
- Mechanical Time Clock
- Defrost Kit
- Electronic Voltage/Phase Monitor
- **SmartSpeed Fan Motor Technology (see page 4)**
- **Limitrol+ Floating Head Pressure Control System (see page 4 or Bulletin B40-HPC-AG for details)**

US Patent No.
9,297,567

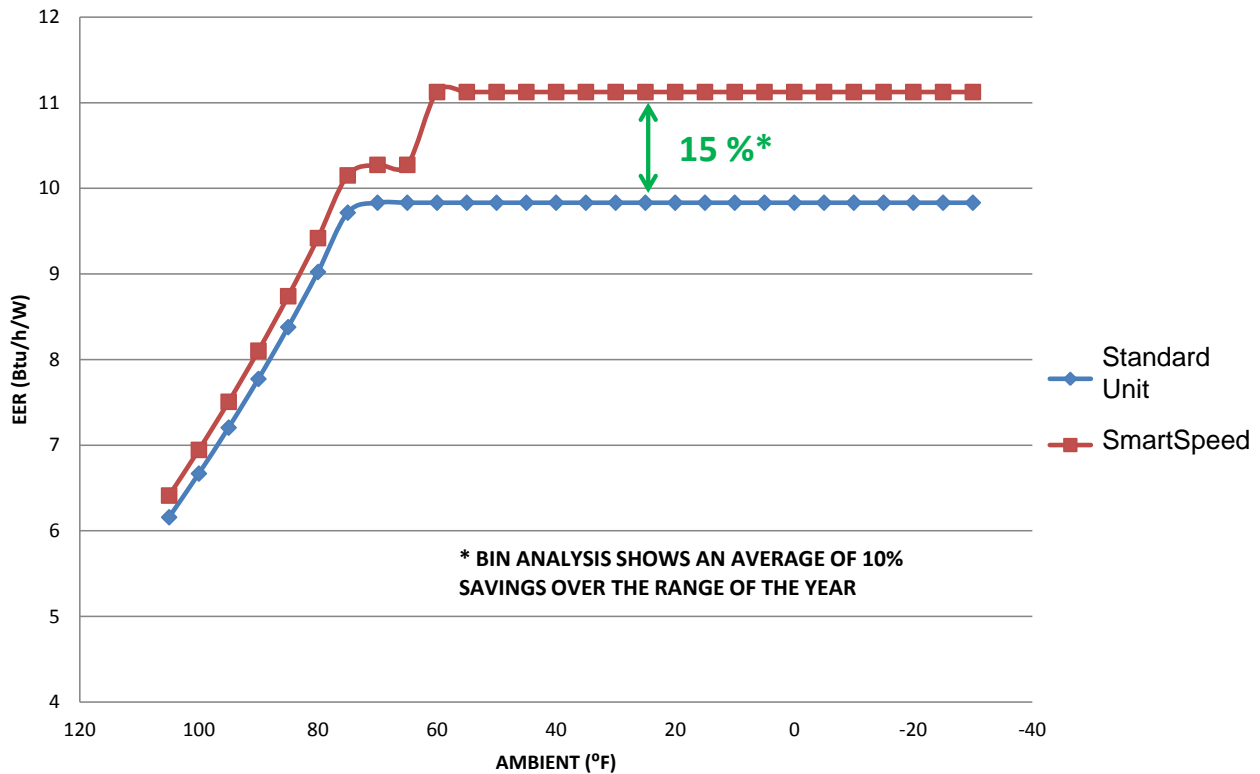
DESIGN FEATURES



• Available on 1/2 - 5 HP
Hermetic, Scroll or Semi-Hermetic Condensing Units

- No special controls required. No worries about wind or cold climates.
- Ambients above 60°F - EC motor operates at full speed, crankcase heater and heated + insulated receiver disabled from control circuit
- Ambients below 60°F - EC motor operates at low speed, crankcase heater and heated + insulated receiver enabled from control circuit

Condensing Unit EER - Standard Unit vs. SmartSpeed



**Refer to
Page 56
For Wiring
Details**

Condensing Unit with SmartSpeed Power Consumption Per Motor		
Chassis Size (see pages 46-47)	Ambients above 60°F. Fan Full Speed. Crankcase and Receiver Heaters Off.	Ambients below 60°F. Fan Low Speed. Crankcase and Receiver Heaters On.
A	102 W	19 W
B	168 W	37 W
C	362 W	76 W

- **Reduces compressor energy consumption and run time**
 - **EC motor technology further saves energy and reduces electrical requirements**
- **Lowered environmental impact through reduced refrigerant use**
 - **Stable system performance in lower ambients**

What is Limitrol+? Limitrol+ combines various technologies into a responsive system that floats head pressure, saving energy and reduces environmental impact. Unlike competitive systems, Limitrol+ combines variable speed EC motor technology, condenser portioning and various systems modifications to provide the ultimate in performance and control. As a result, Limitrol+ functions in much colder ambients where previous systems have proven ineffective.

What does it do? Conventional head pressure control systems maintain a constant head pressure regardless of ambient temperatures. Limitrol+ intelligently responds to ambient conditions to float head pressure without sacrificing system performance at lower temperatures.

What are its applications?

- Condensing units over 5 HP
- Ideally suited and most effective in applications with fluctuating ambients
- Perfect for installations where reduced refrigerant charges are desired or required.

How much can Limitrol+ save you?

MODEL	Philadelphia, PA		New York, NY		Boston, MA		Charlotte, NC		Atlanta, GA		Los Angeles, CA		St Louis, MO		St. Paul, MN		Toronto, ONT	
	%	\$	%	\$	%	\$	%	\$	%	\$	%	\$	%	\$	%	\$	%	\$
5 HP Cooler	22	616	23	1,099	25	1,081	18	474	16	521	16	835	20	624	25	798	27	638
7.5 HP Cooler	21	1,008	22	1,805	23	1,707	18	843	17	954	17	1,499	19	1,053	24	1,270	25	1,000
10 HP Cooler	18	1,204	18	2,131	20	2,095	15	975	14	1,089	18	2,446	16	1,227	20	1,529	21	1,223
15 HP Cooler	19	1,852	20	3,300	21	3,170	16	1,567	15	1,767	19	3,570	17	1,916	22	2,337	22	1,834
6 HP Freezer	24	903	25	1,621	26	1,548	21	753	20	848	23	1,548	22	928	26	1,119	27	891
7.5 HP Freezer	21	994	21	1,783	23	1,726	17	800	16	891	18	1,591	19	1,012	23	1,255	24	1,004
13 HP Freezer	19	1,425	19	2,535	21	2,450	16	1,150	15	1,286	15	2,110	17	1,471	21	1,798	22	1,428
15 HP Freezer	18	1,602	19	2,846	20	2,717	16	1,312	15	1,479	14	2,224	17	1,672	20	2,009	21	1,587

* The above is a BIN Hour Analysis. Weather data was used from ASHRAE Weather Data Viewer and electrical rates for each city are based on June 2013 data from EIA (U.S. Energy Information Administration).
 ** Above numbers do not include refrigerant savings, and further cost savings can be expected.

For more information on Head Pressure Control, please refer to our “Head Pressure Control Application Guide” (Bulletin B40-HPC-AG)

CAPACITY DATA - **R407A**

HIGH / MEDIUM TEMPERATURE

MODEL	SATURATED SUCTION TEMPERATURE		CAPACITY BTU/H (WATTS) R407A AMBIENT TEMPERATURE °F (°C)									
	° F	° C	85 (29.4)	90 (32.2)	95 (35.0)	100 (37.8)	105 (40.6)	110 (43.3)				
BESA050H8 Compressor Model 2DC3R53KE	40 (4.4)		65700 (19250)	63100 (18490)	60400 (17700)	57800 (16940)	55100 (16150)	52500 (15390)				
	35 (1.7)		59300 (17380)	56900 (16680)	54400 (15940)	52000 (15240)	49600 (14540)	47100 (13800)				
	30 (-1.1)		53300 (15620)	51100 (14980)	48800 (14300)	46600 (13660)	44400 (13010)	42200 (12370)				
	25 (-3.9)		47800 (14010)	45700 (13390)	43700 (12810)	41700 (12220)	39700 (11630)	37700 (11050)				
	20 (-6.7)		42600 (12480)	40700 (11930)	38900 (11400)	37100 (10870)	35300 (10350)	33500 (9820)				
	15 (-9.4)		37900 (11110)	36200 (10610)	34500 (10110)	32900 (9640)	31300 (9170)	29700 (8700)				
	10 (-12.2)		33500 (9820)	32000 (9380)	30600 (8970)	29100 (8530)	27700 (8120)	26400 (7740)				
	5 (-15.0)		29600 (8670)	28200 (8260)	27000 (7910)	25700 (7530)	24500 (7180)	23300 (6830)				
	0 (-17.8)		26100 (7650)	25000 (7330)	23800 (6980)	22800 (6680)	21700 (6360)	20700 (6070)				
BESA051H8 Compressor Model 2DD3R63KE	40 (4.4)		74100 (21720)	71200 (20870)	68100 (19960)	65200 (19110)	62300 (18260)	59300 (17380)				
	35 (1.7)		67200 (19690)	64400 (18870)	61600 (18050)	58900 (17260)	56300 (16500)	53600 (15710)				
	30 (-1.1)		60600 (17760)	58100 (17030)	55500 (16270)	53100 (15560)	50600 (14830)	48200 (14130)				
	25 (-3.9)		54400 (15940)	52100 (15270)	49900 (14620)	47700 (13980)	45500 (13330)	43300 (12690)				
	20 (-6.7)		48700 (14270)	46600 (13660)	44600 (13070)	42600 (12480)	40600 (11900)	38700 (11340)				
	15 (-9.4)		43400 (12720)	41600 (12190)	39800 (11660)	38000 (11140)	36200 (10610)	34500 (10110)				
	10 (-12.2)		38500 (11280)	37000 (10840)	35400 (10370)	33800 (9910)	32300 (9470)	30900 (9060)				
	5 (-15.0)		34200 (10020)	32800 (9610)	31400 (9200)	30100 (8820)	28800 (8440)	27600 (8090)				
	0 (-17.8)		30300 (8880)	29100 (8530)	27900 (8180)	26900 (7880)	25700 (7530)	24800 (7270)				
BESA075H8 Compressor Model 2DL3R78KE	40 (4.4)		88500 (25940)	84900 (24880)	81500 (23890)	78000 (22860)	74400 (21800)	71000 (20810)				
	35 (1.7)		80600 (23620)	77400 (22680)	74100 (21720)	71000 (20810)	67700 (19840)	64600 (18930)				
	30 (-1.1)		73200 (21450)	70200 (20570)	67300 (19720)	64400 (18870)	61400 (17990)	58600 (17170)				
	25 (-3.9)		66200 (19400)	63400 (18580)	60800 (17820)	58200 (17060)	55500 (16270)	53000 (15530)				
	20 (-6.7)		59500 (17440)	57100 (16730)	54800 (16060)	52400 (15360)	50200 (14710)	47900 (14040)				
	15 (-9.4)		53300 (15620)	51200 (15010)	49200 (14420)	47100 (13800)	45200 (13250)	43300 (12690)				
	10 (-12.2)		47800 (14010)	45900 (13450)	44100 (12920)	42400 (12430)	40700 (11930)	39100 (11460)				
	5 (-15.0)		42500 (12460)	41100 (12050)	39500 (11580)	38100 (11170)	36600 (10730)	35400 (10370)				
	0 (-17.8)		37900 (11110)	36600 (10730)	35400 (10370)	34200 (10020)	33200 (9730)	32200 (9440)				
BESA077H8 Compressor Model 2DA3R89KE	40 (4.4)		105500 (30920)	101400 (29720)	97300 (28520)	93200 (27310)	89100 (26110)	85100 (24940)				
	35 (1.7)		95800 (28080)	92100 (26990)	88300 (25880)	84600 (24790)	80900 (23710)	77200 (22630)				
	30 (-1.1)		86600 (25380)	83300 (24410)	79900 (23420)	76500 (22420)	73100 (21420)	69700 (20430)				
	25 (-3.9)		78100 (22890)	75100 (22010)	71900 (21070)	68900 (20190)	65800 (19280)	62800 (18400)				
	20 (-6.7)		70000 (20510)	67300 (19720)	64600 (18930)	61800 (18110)	59100 (17320)	56400 (16530)				
	15 (-9.4)		62700 (18380)	60200 (17640)	57800 (16940)	55200 (16180)	52800 (15470)	50300 (14740)				
	10 (-12.2)		55800 (16350)	53600 (15710)	51300 (15030)	49100 (14390)	46900 (13740)	44700 (13100)				
	5 (-15.0)		49600 (14540)	47600 (13950)	45600 (13360)	43600 (12780)	41700 (12220)	39700 (11630)				
	0 (-17.8)		43800 (12840)	42000 (12310)	40300 (11810)	38500 (11280)	36800 (10780)	35000 (10260)				
BESA080H8 Compressor Model 3DA3R10ME	40 (4.4)		122900 (36020)	118000 (34580)	113300 (33200)	108600 (31830)	103800 (30420)	99200 (29070)				
	35 (1.7)		112400 (32940)	107900 (31620)	103600 (30360)	99200 (29070)	95000 (27840)	90700 (26580)				
	30 (-1.1)		102300 (29980)	98300 (28810)	94300 (27640)	90300 (26460)	86400 (25320)	82400 (24150)				
	25 (-3.9)		92600 (27140)	88900 (26050)	85400 (25030)	81700 (23940)	78000 (22860)	74400 (21800)				
	20 (-6.7)		83400 (24440)	80100 (23470)	76800 (22510)	73400 (21510)	70000 (20510)	66700 (19550)				
	15 (-9.4)		74800 (21920)	71700 (21010)	68700 (20130)	65500 (19200)	62400 (18290)	59100 (17320)				
	10 (-12.2)		66700 (19550)	63900 (18730)	61000 (17880)	58100 (17030)	55000 (16120)	52000 (15240)				
	5 (-15.0)		59200 (17350)	56600 (16590)	53900 (15800)	51000 (14950)	48100 (14100)	45200 (13250)				
	0 (-17.8)		52300 (15330)	49800 (14590)	47100 (13800)	44400 (13010)	41600 (12190)	38600 (11310)				
BESA100H8 Compressor Model 3DB3R12ME	40 (4.4)		139800 (40970)	134300 (39360)	128800 (37750)	123400 (36160)	117900 (34550)	-				
	35 (1.7)		128500 (37660)	123500 (36190)	118500 (34730)	113500 (33260)	108400 (31770)	103300 (30270)				
	30 (-1.1)		117600 (34470)	113000 (33120)	108500 (31800)	103700 (30390)	99100 (29040)	94300 (27640)				
	25 (-3.9)		107000 (31360)	102800 (30130)	98600 (28900)	94300 (27640)	90000 (26380)	85500 (25060)				
	20 (-6.7)		96800 (28370)	93000 (27260)	89100 (26110)	85200 (24970)	81200 (23800)	77000 (22570)				
	15 (-9.4)		87300 (25590)	83800 (24560)	80100 (23470)	76400 (22390)	72600 (21280)	68700 (20130)				
	10 (-12.2)		78200 (22920)	75000 (21980)	71500 (20950)	68000 (19930)	64400 (18870)	60600 (17760)				
	5 (-15.0)		69700 (20430)	66700 (19550)	63400 (18580)	60100 (17610)	56600 (16590)	52900 (15500)				
	0 (-17.8)		61800 (18110)	58900 (17260)	55900 (16380)	52600 (15420)	49100 (14390)	45600 (13360)				
BESA120H8 Compressor Model 3DF3R15ME	40 (4.4)		173300 (50790)	166400 (48770)	159500 (46740)	152800 (44780)	146000 (42790)	139200 (40800)				
	35 (1.7)		158300 (46390)	152100 (44580)	146000 (42790)	139800 (40970)	133600 (39150)	127400 (37340)				
	30 (-1.1)		144100 (42230)	138500 (40590)	132800 (38920)	127200 (37280)	121500 (35610)	115800 (33940)				
	25 (-3.9)		130300 (38190)	125300 (36720)	120200 (35230)	115000 (33700)	109800 (32180)	104600 (30660)				
	20 (-6.7)		117300 (34380)	112800 (33060)	108200 (31710)	103400 (30300)	98600 (28900)	93700 (27460)				
	15 (-9.4)		105100 (30800)	100900 (29570)	96700 (28340)	92400 (27080)	87900 (25760)	83400 (24440)				
	10 (-12.2)		93700 (27460)	89900 (26350)	86000 (25200)	82000 (24030)	77800 (22800)	73500 (21540)				
	5 (-15.0)		83200 (24380)	79700 (23360)	76100 (22300)	72300 (21190)	68400 (20050)	64200 (18820)				
	0 (-17.8)		73600 (21570)	70500 (20660)	67000 (19640)	63300 (18550)	59500 (17440)	55500 (16270)				
BESA150H8 Compressor Model 3DS3R17ME	40 (4.4)		190600 (55860)	183200 (53690)	175900 (51550)	168700 (49440)	161600 (47360)	154500 (45280)				
	35 (1.7)		174800 (51230)	168100 (49270)	161500 (47330)	155000 (45430)	148500 (43520)	142100 (41650)				
	30 (-1.1)		159500 (46740)	153500 (44990)	147500 (43230)	141500 (41470)	135700 (39770)	129900 (38070)				
	25 (-3.9)		144900 (42470)	139400 (40850)	134100 (39300)	128600 (37690)	123300 (36140)	118000 (34580)				
	20 (-6.7)		130900 (38360)	126000 (36930)	121200 (35520)	116200 (34050)	111300 (32620)	106400 (31180)				
	15 (-9.4)		117700 (34490)	113300 (33200)	108800 (31890)	104300 (30570)	99800 (29250)	95200 (27900)				
	10 (-12.2)		105200 (30830)	101200 (29660)	97000 (28430)	92900 (27230)	88600 (25970)	84400 (24740)				
	5 (-15.0)		93600 (27430)	89900 (26350)	86000 (25200)	82000 (24030)	78000 (22860)	73900 (21660)				
	0 (-17.8)		82800 (24270)	79200 (23210)	75500 (22130)	71700 (21010)	67800 (19870)	63800 (18700)				

NOTES: - Above ratings are based on mean temperature. - To convert to dew point ratings, use 0.95 multiplier.

CAPACITY DATA - **R407A**

LOW TEMPERATURE

MODEL	SATURATED SUCTION TEMPERATURE		CAPACITY BTU/H (WATTS) R407A AMBIENT TEMPERATURE °F (°C)							
	°F	°C	85 (29.4)	90 (32.2)	95 (35.0)	100 (37.8)	105 (40.6)	110 (43.3)		
BESA035L8 Compressor Model 2DF3F16KE	0	(-17.8)	30000 (8790)	28700 (8410)	27300 (8000)	25900 (7590)	24600 (7210)	-	-	
	-5	(-20.6)	26100 (7650)	25000 (7330)	23700 (6950)	22600 (6620)	21300 (6240)	20200 (5920)		
	-10	(-23.3)	22800 (6680)	21700 (6360)	20600 (6040)	19500 (5710)	18500 (5420)	17400 (5100)		
	-15	(-26.1)	19700 (5770)	18800 (5510)	17900 (5250)	16900 (4950)	16000 (4690)	15000 (4400)		
	-20	(-28.9)	17100 (5010)	16200 (4750)	15300 (4480)	14500 (4250)	13700 (4020)	12800 (3750)		
	-25	(-31.7)	14700 (4310)	13900 (4070)	13100 (3840)	12400 (3630)	11600 (3400)	10900 (3190)		
	-30	(-34.4)	12400 (3630)	11800 (3460)	11000 (3220)	10300 (3020)	9680 (2840)	9030 (2650)		
	-35	(-37.2)	10300 (3020)	9690 (2840)	9070 (2660)	8450 (2480)	7840 (2300)	7250 (2120)		
	-40	(-40.0)	8330 (2440)	7730 (2270)	7140 (2090)	6570 (1930)	6010 (1760)	5460 (1600)		
BESA040L8 Compressor Model 2DL3F20KE	0	(-17.8)	35700 (10460)	34200 (10020)	32800 (9610)	31200 (9140)	29600 (8670)	27900 (8180)		
	-5	(-20.6)	31600 (9260)	30200 (8850)	28900 (8470)	27500 (8060)	26000 (7620)	24600 (7210)		
	-10	(-23.3)	27700 (8120)	26500 (7770)	25300 (7410)	23900 (7000)	22700 (6650)	21400 (6270)		
	-15	(-26.1)	24200 (7090)	23000 (6740)	21800 (6390)	20800 (6100)	19600 (5740)	18400 (5390)		
	-20	(-28.9)	20800 (6100)	19700 (5770)	18800 (5510)	17700 (5190)	16700 (4890)	15800 (4630)		
	-25	(-31.7)	17700 (5190)	16800 (4920)	15900 (4660)	15000 (4400)	14100 (4130)	13200 (3870)		
	-30	(-34.4)	14800 (4340)	14100 (4130)	13200 (3870)	12500 (3660)	11700 (3430)	10900 (3190)		
	-35	(-37.2)	12200 (3580)	11600 (3400)	10800 (3170)	10200 (2990)	9510 (2790)	8890 (2610)		
	-40	(-40.0)	9860 (2890)	9220 (2700)	8640 (2530)	8090 (2370)	7570 (2220)	7080 (2070)		
BESA060L8 Compressor Model 2DB3F25KE	0	(-17.8)	44600 (13070)	42900 (12570)	41200 (12070)	39500 (11580)	37700 (11050)	35800 (10490)		
	-5	(-20.6)	39300 (11520)	37800 (11080)	36100 (10580)	34500 (10110)	32900 (9640)	31200 (9140)		
	-10	(-23.3)	34500 (10110)	33100 (9700)	31600 (9260)	30100 (8820)	28700 (8410)	27100 (7940)		
	-15	(-26.1)	30200 (8850)	28900 (8470)	27500 (8060)	26100 (7650)	24900 (7300)	23400 (6860)		
	-20	(-28.9)	26300 (7710)	25000 (7330)	23800 (6980)	22600 (6620)	21400 (6270)	20200 (5920)		
	-25	(-31.7)	22600 (6620)	21500 (6300)	20400 (5980)	19300 (5660)	18300 (5360)	17200 (5040)		
	-30	(-34.4)	19200 (5630)	18200 (5330)	17200 (5040)	16400 (4810)	15400 (4510)	14600 (4280)		
	-35	(-37.2)	16000 (4690)	15100 (4430)	14300 (4190)	13500 (3960)	12800 (3750)	12100 (3550)		
	-40	(-40.0)	12900 (3780)	12200 (3580)	11600 (3400)	10900 (3190)	10300 (3020)	9810 (2880)		
BESA061L8 Compressor Model 3DA3F28KE	0	(-17.8)	50500 (14800)	48400 (14180)	46300 (13570)	44200 (12950)	42000 (12310)	-	-	
	-5	(-20.6)	44600 (13070)	42600 (12480)	40700 (11930)	38700 (11340)	36800 (10780)	34800 (10200)		
	-10	(-23.3)	39200 (11490)	37400 (10960)	35600 (10430)	33800 (9910)	32000 (9380)	30100 (8820)		
	-15	(-26.1)	34200 (10020)	32600 (9550)	31000 (9090)	29300 (8590)	27600 (8090)	25900 (7590)		
	-20	(-28.9)	29700 (8700)	28200 (8260)	26800 (7850)	25200 (7390)	23600 (6920)	22100 (6480)		
	-25	(-31.7)	25600 (7500)	24300 (7120)	22800 (6680)	21400 (6270)	20000 (5860)	18500 (5420)		
	-30	(-34.4)	21700 (6360)	20500 (6010)	19200 (5630)	17900 (5250)	16500 (4840)	15000 (4400)		
	-35	(-37.2)	18300 (5360)	17000 (4980)	15800 (4630)	14500 (4250)	13100 (3840)	11800 (3460)		
	-40	(-40.0)	14800 (4340)	13700 (4020)	12500 (3660)	11200 (3280)	9950 (2920)	8620 (2530)		
BESA075L8 Compressor Model 3DB3F33KE	0	(-17.8)	58800 (17230)	56500 (16560)	54100 (15860)	51800 (15180)	49600 (14540)	-	-	
	-5	(-20.6)	52300 (15330)	50100 (14680)	47900 (14040)	45700 (13390)	43500 (12750)	-	-	
	-10	(-23.3)	46300 (13570)	44200 (12950)	42100 (12340)	40000 (11720)	38000 (11140)	36000 (10550)		
	-15	(-26.1)	40800 (11960)	39000 (11430)	37000 (10840)	35000 (10260)	33100 (9700)	31200 (9140)		
	-20	(-28.9)	35900 (10520)	34000 (9960)	32200 (9440)	30300 (8880)	28500 (8350)	26700 (7820)		
	-25	(-31.7)	31300 (9170)	29500 (8650)	27700 (8120)	26000 (7620)	24300 (7120)	22500 (6590)		
	-30	(-34.4)	26900 (7880)	25200 (7390)	23500 (6890)	21800 (6390)	20200 (5920)	18500 (5420)		
	-35	(-37.2)	22600 (6620)	21100 (6180)	19500 (5710)	17900 (5250)	16300 (4780)	14700 (4310)		
	-40	(-40.0)	18400 (5390)	16900 (4950)	15400 (4510)	14000 (4100)	12400 (3630)	10800 (3170)		
BESA090L8 Compressor Model 3DF3F40KE	0	(-17.8)	73800 (21630)	71000 (20810)	68100 (19960)	65200 (19110)	62500 (18320)	-	-	
	-5	(-20.6)	65600 (19230)	62900 (18430)	60200 (17640)	57400 (16820)	54700 (16030)	52100 (15270)		
	-10	(-23.3)	58000 (17000)	55400 (16240)	52800 (15470)	50200 (14710)	47700 (13980)	45200 (13250)		
	-15	(-26.1)	50900 (14920)	48500 (14210)	46000 (13480)	43600 (12780)	41100 (12050)	38700 (11340)		
	-20	(-28.9)	44300 (12980)	42000 (12310)	39700 (11630)	37400 (10960)	35100 (10290)	32900 (9640)		
	-25	(-31.7)	38100 (11170)	36000 (10550)	33900 (9940)	31700 (9290)	29600 (8670)	27500 (8060)		
	-30	(-34.4)	32300 (9470)	30500 (8940)	28500 (8350)	26500 (7770)	24500 (7180)	22600 (6620)		
	-35	(-37.2)	27000 (7910)	25200 (7390)	23400 (6860)	21600 (6330)	19700 (5770)	18000 (5280)		
	-40	(-40.0)	21800 (6390)	20300 (5950)	18700 (5480)	17000 (4980)	15400 (4510)	13800 (4040)		

NOTES:

- Above ratings are based on mean temperature.
- To convert to dew point ratings, use 0.95 multiplier.

table continues on next page >>>

CAPACITY DATA - **R407A**

LOW TEMPERATURE (cont'd)

MODEL BES	SATURATED SUCTION TEMPERATURE		CAPACITY BTU/H (WATTS) R407A AMBIENT TEMPERATURE °F (°C)									
	° F	° C	85 (29.4)	90 (32.2)	95 (35.0)	100 (37.8)	105 (40.6)	110 (43.3)				
BESA100L8 Compressor Model 3DSF46KE	0	(-17.8)	79000 (23150)	75800 (22210)	72700 (21310)	69400 (20340)	66000 (19340)	-	-			
	-5	(-20.6)	70000 (20510)	67100 (19660)	64200 (18820)	61100 (17910)	58100 (17030)	54900 (16090)				
	-10	(-23.3)	61800 (18110)	59100 (17320)	56400 (16530)	53700 (15740)	50700 (14860)	47900 (14040)				
	-15	(-26.1)	54400 (15940)	51900 (15210)	49200 (14420)	46700 (13690)	44100 (12920)	41400 (12130)				
	-20	(-28.9)	47500 (13920)	45000 (13190)	42700 (12510)	40300 (11810)	37900 (11110)	35400 (10370)				
	-25	(-31.7)	41000 (12020)	38700 (11340)	36600 (10730)	34400 (10080)	32200 (9440)	29900 (8760)				
	-30	(-34.4)	34900 (10230)	32900 (9640)	30900 (9060)	28900 (8470)	26900 (7880)	24800 (7270)				
	-35	(-37.2)	29000 (8500)	27200 (7970)	25300 (7410)	23500 (6890)	21700 (6360)	19800 (5800)				
	-40	(-40.0)	23300 (6830)	21600 (6330)	20000 (5860)	18400 (5390)	16700 (4890)	15100 (4430)				
BESA130L8 Compressor Model 4DBNF54KE	0	(-17.8)	97400 (28550)	93300 (27340)	89100 (26110)	84900 (24880)	80600 (23620)	76200 (22330)				
	-5	(-20.6)	86600 (25380)	83000 (24320)	79200 (23210)	75300 (22070)	71300 (20900)	67300 (19720)				
	-10	(-23.3)	76300 (22360)	73000 (21390)	69600 (20400)	66000 (19340)	62500 (18320)	58700 (17200)				
	-15	(-26.1)	66700 (19550)	63600 (18640)	60600 (17760)	57300 (16790)	54000 (15830)	50600 (14830)				
	-20	(-28.9)	57500 (16850)	54800 (16060)	52000 (15240)	49000 (14360)	46000 (13480)	42800 (12540)				
	-25	(-31.7)	49100 (14390)	46700 (13690)	44100 (12920)	41400 (12130)	38500 (11280)	35600 (10430)				
	-30	(-34.4)	41400 (12130)	39200 (11490)	36800 (10780)	34200 (10020)	31600 (9260)	28900 (8470)				
	-35	(-37.2)	34300 (10050)	32200 (9440)	30000 (8790)	27700 (8120)	25200 (7390)	22700 (6650)				
	-40	(-40.0)	27900 (8180)	26000 (7620)	23900 (7000)	21700 (6360)	19400 (5690)	16900 (4950)				
BESA150L8 Compressor Model 4DHNF63KE	0	(-17.8)	109300 (32030)	104700 (30680)	100000 (29310)	95300 (27930)	90600 (26550)	-	-			
	-5	(-20.6)	97900 (28690)	93700 (27460)	89500 (26230)	85300 (25000)	81100 (23770)	76800 (22510)				
	-10	(-23.3)	87000 (25500)	83300 (24410)	79500 (23300)	75700 (22190)	71800 (21040)	67900 (19900)				
	-15	(-26.1)	76900 (22540)	73500 (21540)	70000 (20510)	66600 (19520)	63000 (18460)	59500 (17440)				
	-20	(-28.9)	67200 (19690)	64200 (18820)	61100 (17910)	58000 (17000)	54800 (16060)	51600 (15120)				
	-25	(-31.7)	58300 (17090)	55500 (16270)	52700 (15440)	49900 (14620)	46900 (13740)	44000 (12900)				
	-30	(-34.4)	50000 (14650)	47500 (13920)	44900 (13160)	42300 (12400)	39700 (11630)	37000 (10840)				
	-35	(-37.2)	42300 (12400)	40000 (11720)	37700 (11050)	35300 (10350)	32900 (9640)	30300 (8880)				
	-40	(-40.0)	35300 (10350)	33300 (9760)	31100 (9110)	28900 (8470)	26600 (7800)	24300 (7120)				
BESA220L8 Compressor Model 4DJNF76KE	0	(-17.8)	135100 (39590)	129500 (37950)	123800 (36280)	117900 (34550)	112000 (32820)	-	-			
	-5	(-20.6)	119900 (35140)	114700 (33620)	109400 (32060)	104000 (30480)	98500 (28870)	-	-			
	-10	(-23.3)	105700 (30980)	100900 (29570)	96100 (28160)	91000 (26670)	86000 (25200)	80900 (23710)				
	-15	(-26.1)	92600 (27140)	88200 (25850)	83800 (24560)	79300 (23240)	74700 (21890)	69900 (20490)				
	-20	(-28.9)	80600 (23620)	76800 (22510)	72800 (21340)	68700 (20130)	64600 (18930)	60300 (17670)				
	-25	(-31.7)	69900 (20490)	66500 (19490)	63000 (18460)	59400 (17410)	55800 (16350)	52000 (15240)				
	-30	(-34.4)	60500 (17730)	57500 (16850)	54500 (15970)	51500 (15090)	48300 (14160)	45000 (13190)				
	-35	(-37.2)	52300 (15330)	50000 (14650)	47500 (13920)	44900 (13160)	42300 (12400)	39600 (11610)				
	-40	(-40.0)	45700 (13390)	43800 (12840)	41900 (12280)	40000 (11720)	37900 (11110)	35700 (10460)				

NOTES:

- Above ratings are based on mean temperature.
- To convert to dew point ratings, use 0.95 multiplier.

CAPACITY DATA - R448A
MEDIUM TEMPERATURE

MODEL	SATURATED SUCTION TEMPERATURE		CAPACITY BTU/H (WATTS) R448A AMBIENT TEMPERATURE °F (°C)					
			85 (29.4)	90 (32.2)	95 (35.0)	100 (37.8)	105 (40.6)	110 (43.3)
BES	° F	° C						
BESA010M8 Compressor Model KARB-010E	25	(-3.9)	9810 (2880)	9390 (2750)	8980 (2630)	8560 (2510)	8140 (2390)	7700 (2260)
	20	(-6.7)	9050 (2650)	8660 (2540)	8280 (2430)	7910 (2320)	7530 (2210)	7130 (2090)
	15	(-9.4)	8170 (2390)	7820 (2290)	7480 (2190)	7140 (2090)	6790 (1990)	6440 (1890)
	10	(-12.2)	7220 (2120)	6920 (2030)	6620 (1940)	6300 (1850)	6000 (1760)	5680 (1660)
	5	(-15)	6320 (1850)	6050 (1770)	5780 (1690)	5490 (1610)	5220 (1530)	4940 (1450)
	0	(-17.8)	5500 (1610)	5270 (1540)	5030 (1470)	4790 (1400)	4550 (1330)	4280 (1250)
	-5	(-20.6)	4880 (1430)	4670 (1370)	4450 (1300)	4250 (1250)	4030 (1180)	3800 (1110)
BESA020M8 Compressor Model KAKA-020E	25	(-3.9)	16400 (4810)	15600 (4570)	14900 (4370)	14300 (4190)	13500 (3960)	12800 (3750)
	20	(-6.7)	14800 (4340)	14200 (4160)	13500 (3960)	12900 (3780)	12300 (3600)	11700 (3430)
	15	(-9.4)	13200 (3870)	12700 (3720)	12200 (3580)	11700 (3430)	11100 (3250)	10600 (3110)
	10	(-12.2)	11900 (3490)	11300 (3310)	10900 (3190)	10400 (3050)	9940 (2910)	9460 (2770)
	5	(-15)	10400 (3050)	10000 (2930)	9640 (2830)	9230 (2710)	8820 (2580)	8400 (2460)
	0	(-17.8)	9180 (2690)	8810 (2580)	8460 (2480)	8130 (2380)	7770 (2280)	7380 (2160)
	-5	(-20.6)	8010 (2350)	7700 (2260)	7400 (2170)	7090 (2080)	6770 (1980)	6440 (1890)
BESA021M8 Compressor Model ERCA-021E	25	(-3.9)	19400 (5690)	18600 (5450)	17600 (5160)	16700 (4890)	15900 (4660)	14900 (4370)
	20	(-6.7)	17400 (5100)	16600 (4860)	15900 (4660)	15000 (4400)	14300 (4190)	13400 (3930)
	15	(-9.4)	15400 (4510)	14700 (4310)	14100 (4130)	13300 (3900)	12600 (3690)	12000 (3520)
	10	(-12.2)	13500 (3960)	12900 (3780)	12300 (3600)	11700 (3430)	11000 (3220)	10400 (3050)
	5	(-15)	11800 (3460)	11200 (3280)	10700 (3140)	10100 (2960)	9540 (2800)	9000 (2640)
	0	(-17.8)	10200 (2990)	9660 (2830)	9150 (2680)	8640 (2530)	8150 (2390)	7640 (2240)
	-5	(-20.6)	8760 (2570)	8270 (2420)	7800 (2290)	7330 (2150)	6880 (2020)	6430 (1880)
BESA030M8 Compressor Model ERFA-031E	25	(-3.9)	29100 (8530)	27800 (8150)	26700 (7820)	25400 (7440)	24200 (7090)	22900 (6710)
	20	(-6.7)	26000 (7620)	25000 (7330)	23900 (7000)	22900 (6710)	21700 (6360)	20600 (6040)
	15	(-9.4)	23100 (6770)	22200 (6510)	21200 (6210)	20300 (5950)	19300 (5660)	18300 (5360)
	10	(-12.2)	20300 (5950)	19400 (5690)	18600 (5450)	17700 (5190)	16900 (4950)	16000 (4690)
	5	(-15.0)	17600 (5160)	16900 (4950)	16100 (4720)	15300 (4480)	14600 (4280)	13800 (4040)
	0	(-17.8)	15200 (4450)	14600 (4280)	13900 (4070)	13100 (3840)	12400 (3630)	11800 (3460)
	-5	(-20.6)	13200 (3870)	12600 (3690)	12000 (3520)	11200 (3280)	10600 (3110)	9950 (2920)

NOTES:

- Above ratings are based on mean temperature.
- To convert to dew point ratings, use 0.95 multiplier.
- Shaded Area Restriction: 20°F Max Superheat
- For R449A, use R448A data.

CAPACITY DATA - R448A
HIGH / MEDIUM TEMPERATURE

MODEL	SATURATED SUCTION TEMPERATURE		CAPACITY BTU/H (WATTS) R448A AMBIENT TEMPERATURE °F (°C)											
	°F	°C	85 (29.4)	90 (32.2)	95 (35.0)	100 (37.8)	105 (40.6)	110 (43.3)						
BESA050H8 Compressor Model 2DC3R53KE	40 (4.4)	66600 (19520)	63800 (18700)	61200 (17940)	58600 (17170)	55900 (16380)	53200 (15590)							
	35 (1.7)	60300 (17670)	57900 (16970)	55300 (16210)	52900 (15500)	50500 (14800)	48100 (14100)							
	30 (-1.1)	54400 (15940)	52100 (15270)	49900 (14620)	47700 (13980)	45500 (13330)	43300 (12690)							
	25 (-3.9)	48800 (14300)	46700 (13690)	44700 (13100)	42700 (12510)	40700 (11930)	38700 (11340)							
	20 (-6.7)	43700 (12810)	41800 (12250)	40000 (11720)	38100 (11170)	36300 (10640)	34500 (10110)							
	15 (-9.4)	38900 (11400)	37200 (10900)	35600 (10430)	33900 (9940)	32300 (9470)	30800 (9030)							
	10 (-12.2)	34400 (10080)	33000 (9670)	31500 (9230)	30000 (8790)	28700 (8410)	27300 (8000)							
	5 (-15.0)	30500 (8940)	29200 (8560)	27900 (8180)	26600 (7800)	25400 (7440)	24200 (7090)							
0 (-17.8)	26900 (7880)	25700 (7530)	24700 (7240)	23500 (6890)	22500 (6590)	21400 (6270)								
BESA051H8 Compressor Model 2DD3R63KE	40 (4.4)	75000 (21980)	72100 (21130)	69000 (20220)	66100 (19370)	63300 (18550)	55100 (16150)							
	35 (1.7)	68200 (19990)	65500 (19200)	62700 (18380)	59900 (17550)	57400 (16820)	49500 (14510)							
	30 (-1.1)	61800 (18110)	59300 (17380)	56800 (16650)	54300 (15910)	51900 (15210)	49500 (14510)							
	25 (-3.9)	55600 (16290)	53400 (15650)	51200 (15010)	49000 (14360)	46900 (13740)	44600 (13070)							
	20 (-6.7)	50100 (14680)	48000 (14070)	46000 (13480)	44000 (12900)	41900 (12280)	40000 (11720)							
	15 (-9.4)	44800 (13130)	43000 (12600)	41200 (12070)	39400 (11550)	37500 (10990)	35700 (10460)							
	10 (-12.2)	39800 (11660)	38400 (11250)	36700 (10760)	35000 (10260)	33500 (9820)	31900 (9350)							
	5 (-15.0)	35500 (10400)	34000 (9960)	32600 (9550)	31200 (9140)	29800 (8730)	28400 (8320)							
0 (-17.8)	31400 (9200)	30100 (8820)	28900 (8470)	27600 (8090)	26300 (7710)	25100 (7360)								
BESA075H8 Compressor Model 2DL3R78KE	40 (4.4)	89400 (26200)	86000 (25200)	82500 (24180)	79100 (23180)	75700 (22190)	60300 (17670)							
	35 (1.7)	81700 (23940)	78600 (23040)	75500 (22130)	72300 (21190)	69200 (20280)	54800 (16060)							
	30 (-1.1)	74600 (21860)	71700 (21010)	68900 (20190)	65900 (19310)	63100 (18490)	49700 (14570)							
	25 (-3.9)	67700 (19840)	65100 (19080)	62600 (18350)	60000 (17580)	57400 (16820)	44800 (13130)							
	20 (-6.7)	61300 (17970)	59000 (17290)	56700 (16620)	54400 (15940)	52100 (15270)	40300 (11810)							
	15 (-9.4)	55300 (16210)	53200 (15590)	51100 (14980)	49100 (14390)	46900 (13740)	36000 (10550)							
	10 (-12.2)	49700 (14570)	47900 (14040)	46000 (13480)	44100 (12920)	42200 (12370)	32000 (9380)							
	5 (-15.0)	44400 (13010)	42700 (12510)	41200 (12070)	39500 (11580)	37800 (11080)	32000 (9380)							
0 (-17.8)	39500 (11580)	38000 (11140)	36500 (10700)	35000 (10260)	33500 (9820)	32000 (9380)								
BESA077H8 Compressor Model 2DA3R89KE	40 (4.4)	106800 (31300)	102700 (30100)	98700 (28930)	94600 (27720)	90400 (26490)	86300 (25290)							
	35 (1.7)	97300 (28520)	93700 (27460)	89900 (26350)	86200 (25260)	82400 (24150)	78600 (23040)							
	30 (-1.1)	88300 (25880)	84900 (24880)	81600 (23910)	78200 (22920)	74900 (21950)	71400 (20930)							
	25 (-3.9)	79800 (23390)	76800 (22510)	73700 (21600)	70700 (20720)	67600 (19810)	64600 (18930)							
	20 (-6.7)	71800 (21040)	69100 (20250)	66400 (19460)	63600 (18640)	60900 (17850)	58100 (17030)							
	15 (-9.4)	64400 (18870)	62000 (18170)	59400 (17410)	57000 (16700)	54500 (15970)	52100 (15270)							
	10 (-12.2)	57400 (16820)	55200 (16180)	53000 (15530)	50800 (14890)	48600 (14240)	46400 (13600)							
	5 (-15.0)	51000 (14950)	49000 (14360)	47100 (13800)	45200 (13250)	43200 (12660)	41200 (12070)							
0 (-17.8)	45200 (13250)	43400 (12720)	41700 (12220)	39900 (11690)	38100 (11170)	36300 (10640)								
BESA080H8 Compressor Model 3DA3R10ME	40 (4.4)	124400 (36460)	119600 (35050)	114900 (33670)	110000 (32240)	105300 (30860)	92500 (27110)							
	35 (1.7)	114100 (33440)	109800 (32180)	105400 (30890)	101100 (29630)	96700 (28340)	84300 (24710)							
	30 (-1.1)	104200 (30540)	100300 (29390)	96300 (28220)	92300 (27050)	88300 (25880)	76400 (22390)							
	25 (-3.9)	94600 (27720)	91000 (26670)	87400 (25610)	83700 (24530)	80100 (23470)	68800 (20160)							
	20 (-6.7)	85500 (25060)	82100 (24060)	78900 (23120)	75500 (22130)	72100 (21130)	61300 (17970)							
	15 (-9.4)	76800 (22510)	73700 (21600)	70700 (20720)	67600 (19810)	64500 (18900)	54100 (15860)							
	10 (-12.2)	68600 (20100)	65700 (19250)	63000 (18460)	60100 (17610)	57100 (16730)	47300 (13860)							
	5 (-15.0)	60900 (17850)	58400 (17120)	55700 (16320)	52900 (15500)	50100 (14680)	40700 (11930)							
0 (-17.8)	53900 (15800)	51500 (15090)	48900 (14330)	46300 (13570)	43600 (12810)	40700 (11930)								
BESA100H8 Compressor Model 3DB3R12ME	40 (4.4)	141500 (41470)	136200 (39920)	130700 (38300)	125200 (36690)	110400 (32350)	97900 (28540)							
	35 (1.7)	130600 (38270)	125700 (36840)	120600 (35340)	115500 (33850)	110400 (32350)	97900 (28540)							
	30 (-1.1)	119900 (35140)	115300 (33790)	110700 (32440)	106100 (31090)	101300 (29690)	89400 (25840)							
	25 (-3.9)	109400 (32060)	105200 (30830)	101000 (29600)	96700 (28340)	92300 (27050)	80700 (23240)							
	20 (-6.7)	99200 (29070)	95400 (27960)	91600 (26850)	87600 (25670)	83600 (24500)	72000 (20770)							
	15 (-9.4)	89600 (26260)	86100 (25230)	82500 (24180)	78900 (23120)	75100 (22010)	64000 (18400)							
	10 (-12.2)	80400 (23560)	77200 (22630)	73800 (21630)	70500 (20660)	66900 (19610)	56000 (16100)							
	5 (-15.0)	71800 (21040)	68800 (20160)	65600 (19230)	62400 (18290)	59000 (17290)	49000 (14100)							
0 (-17.8)	63800 (18700)	61000 (17880)	58000 (17000)	54800 (16060)	51600 (15120)	48100 (14100)								
BESA120H8 Compressor Model 3DF3R15ME	40 (4.4)	175700 (51490)	168800 (49470)	161900 (47450)	155100 (45460)	148300 (43460)	141400 (41440)							
	35 (1.7)	161100 (47210)	154900 (45400)	148700 (43580)	142400 (41730)	136200 (39920)	129900 (38070)							
	30 (-1.1)	146900 (43050)	141300 (41410)	135700 (39770)	130000 (38100)	124300 (36430)	118500 (34730)							
	25 (-3.9)	133200 (39040)	128200 (37570)	123200 (36110)	117900 (34550)	112800 (33060)	107400 (31480)							
	20 (-6.7)	120100 (35200)	115700 (33910)	111100 (32560)	106400 (31180)	101500 (29750)	96700 (28340)							
	15 (-9.4)	107800 (31590)	103700 (30390)	99500 (29160)	95200 (27900)	90900 (26640)	86400 (25320)							
	10 (-12.2)	96200 (28190)	92600 (27140)	88700 (26000)	84800 (24850)	80700 (23650)	76500 (22420)							
	5 (-15.0)	85600 (25090)	82200 (24090)	78800 (23090)	75100 (22010)	71300 (20900)	67300 (19720)							
0 (-17.8)	75800 (22210)	72800 (21340)	69500 (20370)	66200 (19400)	62500 (18320)	58800 (17230)								
BESA150H8 Compressor Model 3DS3R17ME	40 (4.4)	196400 (57560)	188800 (55330)	181300 (53130)	174000 (50990)	166600 (48830)	159100 (46740)							
	35 (1.7)	180700 (52960)	173900 (50960)	167200 (49000)	160400 (47010)	153800 (45070)	146100 (43150)							
	30 (-1.1)	165400 (48470)	159300 (46690)	153200 (44900)	147100 (43110)	141100 (41350)	135100 (39590)							
	25 (-3.9)	150700 (44170)	145100 (42520)	139700 (40940)	134200 (39330)	128700 (37720)	123400 (36160)							
	20 (-6.7)	136400 (39970)	131500 (38540)	126500 (37070)	121600 (35640)	116700 (34200)	111800 (32770)							
	15 (-9.4)	122900 (36020)	118400 (34700)	113900 (33380)	109500 (32090)	105000 (30770)	100600 (29480)							
	10 (-12.2)	110000 (32240)	106100 (31090)	102000 (29890)	97900 (28690)	93800 (27490)	89700 (26290)							
	5 (-15.0)	98100 (28750)	94400 (27670)	90600 (26550)	86800 (25440)	83100 (24350)	79200 (23210)							
0 (-17.8)	86900 (25470)	83500 (24470)	80000 (23450)	76400 (22390)	72800 (21340)	69100 (20250)								

NOTES:

- Above ratings are based on mean temperature.
- Shaded Area Restriction: 20°F Max Superheat

- To convert to dew point ratings, use 0.95 multiplier.
- For R449A, use R448A data.

CAPACITY DATA - R448A
LOW TEMPERATURE

MODEL	SATURATED SUCTION TEMPERATURE °F / °C	CAPACITY BTU/H (WATTS) R448A AMBIENT TEMPERATURE °F (°C)									
		85 (29.4)	90 (32.2)	95 (35.0)	100 (37.8)	105 (40.6)	110 (43.3)				
BESA005L8 Compressor Model KANB-005E	0 (-17.8)	3560 (1040)	3340 (980)	3120 (910)	2900 (850)	2680 (790)	2480 (730)				
	-5 (-20.6)	3020 (890)	2820 (830)	2600 (760)	2400 (700)	2210 (650)	2020 (590)				
	-10 (-23.3)	2540 (740)	2350 (690)	2150 (630)	1960 (570)	1770 (520)	1600 (470)				
	-15 (-26.1)	2110 (620)	1930 (570)	1750 (510)	1580 (460)	1410 (410)	1240 (360)				
	-20 (-28.9)	1730 (510)	1560 (460)	1410 (410)	1240 (360)	1090 (320)	950 (280)				
	-25 (-31.7)	1390 (410)	1240 (360)	1100 (320)	970 (280)	820 (240)	690 (200)				
	-30 (-34.4)	1090 (320)	970 (280)	840 (250)	720 (210)	610 (180)	490 (140)				
	-35 (-37.2)	830 (240)	740 (220)	640 (190)	550 (160)	440 (130)	360 (110)				
-40 (-40.0)	630 (180)	560 (160)	470 (140)	400 (120)	330 (100)	260 (80)					
BESA008L8 Compressor Model KAMB-007E	0 (-17.8)	5250 (1540)	4970 (1460)	4690 (1370)	4430 (1300)	4170 (1220)	3920 (1150)				
	-5 (-20.6)	4520 (1320)	4240 (1240)	3970 (1160)	3710 (1090)	3450 (1010)	3190 (930)				
	-10 (-23.3)	3830 (1120)	3570 (1050)	3320 (970)	3060 (900)	2810 (820)	2560 (750)				
	-15 (-26.1)	3220 (940)	2970 (870)	2730 (800)	2490 (730)	2250 (660)	2020 (590)				
	-20 (-28.9)	2670 (780)	2450 (720)	2220 (650)	2000 (590)	1760 (520)	1540 (450)				
	-25 (-31.7)	2180 (640)	1970 (580)	1790 (520)	1580 (460)	1380 (400)	1180 (350)				
	-30 (-34.4)	1790 (520)	1610 (470)	1430 (420)	1250 (370)	1080 (320)	920 (270)				
	-35 (-37.2)	1460 (430)	1320 (390)	1180 (350)	1030 (300)	890 (260)	760 (220)				
-40 (-40.0)	1220 (360)	1120 (330)	1020 (300)	920 (270)	820 (240)	720 (210)					
BESA010L8 Compressor Model KAJB-010E	0 (-17.8)	6620 (1940)	6240 (1830)	5860 (1720)	5490 (1610)	5150 (1510)	4830 (1420)				
	-5 (-20.6)	5690 (1670)	5320 (1560)	4950 (1450)	4590 (1350)	4240 (1240)	3920 (1150)				
	-10 (-23.3)	4850 (1420)	4480 (1310)	4130 (1210)	3770 (1100)	3440 (1010)	3130 (920)				
	-15 (-26.1)	4110 (1200)	3760 (1100)	3410 (1000)	3090 (910)	2760 (810)	2470 (720)				
	-20 (-28.9)	3440 (1010)	3120 (910)	2800 (820)	2490 (730)	2190 (640)	1920 (560)				
	-25 (-31.7)	2850 (840)	2560 (750)	2270 (670)	2010 (590)	1730 (510)	1500 (440)				
	-30 (-34.4)	2330 (680)	2090 (610)	1840 (540)	1600 (470)	1390 (410)	1190 (350)				
	-35 (-37.2)	1890 (550)	1700 (500)	1490 (440)	1310 (380)	1140 (330)	1010 (300)				
-40 (-40.0)	1520 (450)	1390 (410)	1240 (360)	1120 (330)	1020 (300)	960 (280)					
BESA015L8 Compressor Model KALB-015E	0 (-17.8)	10300 (3020)	9710 (2850)	9150 (2680)	8600 (2520)	8070 (2370)	7600 (2230)				
	-5 (-20.6)	8860 (2600)	8300 (2430)	7730 (2270)	7190 (2110)	6680 (1960)	6180 (1810)				
	-10 (-23.3)	7560 (2220)	7010 (2050)	6480 (1900)	5950 (1740)	5440 (1590)	4970 (1460)				
	-15 (-26.1)	6410 (1880)	5890 (1730)	5380 (1580)	4870 (1430)	4380 (1280)	3940 (1150)				
	-20 (-28.9)	5370 (1570)	4890 (1430)	4410 (1290)	3940 (1150)	3500 (1030)	3080 (900)				
	-25 (-31.7)	4440 (1300)	4010 (1180)	3580 (1050)	3160 (930)	2760 (810)	2390 (700)				
	-30 (-34.4)	3630 (1060)	3270 (960)	2890 (850)	2520 (740)	2180 (640)	1870 (550)				
	-35 (-37.2)	2930 (860)	2630 (770)	2330 (680)	2050 (600)	1760 (520)	1530 (450)				
-40 (-40.0)	2350 (690)	2130 (620)	1910 (560)	1700 (500)	1520 (450)	1380 (400)					
BESA020L8 Compressor Model EADB-021E	0 (-17.8)	12800 (3750)	12100 (3550)	11400 (3340)	10700 (3140)	10000 (2930)	9380 (2750)				
	-5 (-20.6)	11200 (3280)	10600 (3110)	10000 (2930)	9410 (2760)	8800 (2580)	8220 (2410)				
	-10 (-23.3)	9810 (2880)	9250 (2710)	8680 (2540)	8130 (2380)	7590 (2220)	7080 (2070)				
	-15 (-26.1)	8410 (2460)	7910 (2320)	7400 (2170)	6900 (2020)	6420 (1880)	5950 (1740)				
	-20 (-28.9)	7120 (2090)	6650 (1950)	6180 (1810)	5730 (1680)	5300 (1550)	4890 (1430)				
	-25 (-31.7)	5930 (1740)	5510 (1610)	5090 (1490)	4670 (1370)	4280 (1250)	3910 (1150)				
	-30 (-34.4)	4920 (1440)	4530 (1330)	4130 (1210)	3740 (1100)	3370 (990)	3020 (890)				
	-35 (-37.2)	4070 (1190)	3700 (1080)	3320 (970)	2950 (860)	2600 (760)	2280 (670)				
-40 (-40.0)	3430 (1010)	3060 (900)	2690 (790)	2350 (690)	2020 (590)	1710 (500)					
BESA021L8 Compressor Model EAVB-021E	0 (-17.8)	15600 (4570)	14800 (4340)	13900 (4070)	13000 (3810)	12200 (3580)	-				
	-5 (-20.6)	14000 (4100)	13200 (3870)	12400 (3630)	11600 (3400)	10800 (3170)	-				
	-10 (-23.3)	12400 (3630)	11700 (3430)	10900 (3190)	10200 (2990)	9540 (2800)	8890 (2610)				
	-15 (-26.1)	10800 (3170)	10200 (2990)	9530 (2790)	8910 (2610)	8320 (2440)	7740 (2270)				
	-20 (-28.9)	9390 (2750)	8790 (2580)	8220 (2410)	7670 (2250)	7150 (2100)	6660 (1950)				
	-25 (-31.7)	8020 (2350)	7500 (2200)	6980 (2050)	6510 (1910)	6070 (1780)	5670 (1660)				
	-30 (-34.4)	6790 (1990)	6320 (1850)	5870 (1720)	5470 (1600)	5090 (1490)	4770 (1400)				
	-35 (-37.2)	5700 (1670)	5280 (1550)	4900 (1440)	4560 (1340)	4240 (1240)	3990 (1170)				
-40 (-40.0)	4760 (1400)	4400 (1290)	4060 (1190)	3790 (1110)	3540 (1040)	3350 (980)					
BESA030L8 Compressor Model LAHA-032E	0 (-17.8)	24700 (7240)	23200 (6800)	21800 (6390)	20400 (5980)	18800 (5510)	17200 (5040)				
	-5 (-20.6)	21600 (6330)	20400 (5980)	19200 (5630)	17900 (5250)	16600 (4860)	15100 (4430)				
	-10 (-23.3)	18700 (5480)	17600 (5160)	16600 (4860)	15500 (4540)	14400 (4220)	13100 (3840)				
	-15 (-26.1)	16000 (4690)	15000 (4400)	14200 (4160)	13200 (3870)	12200 (3580)	11100 (3250)				
	-20 (-28.9)	13300 (3900)	12600 (3690)	11900 (3490)	11000 (3220)	10200 (2990)	9250 (2710)				
	-25 (-31.7)	10900 (3190)	10300 (3020)	9660 (2830)	8960 (2630)	8220 (2410)	7420 (2170)				
	-30 (-34.4)	8810 (2580)	8240 (2410)	7650 (2240)	7060 (2070)	6410 (1880)	5700 (1670)				
	-35 (-37.2)	6890 (2020)	6370 (1870)	5840 (1710)	5290 (1550)	4700 (1380)	4070 (1190)				
-40 (-40.0)	5210 (1530)	4710 (1380)	4220 (1240)	3700 (1080)	3160 (930)	2570 (750)					
BESA032L8 Compressor Model LACA-032E	0 (-17.8)	-	-	-	-	-	-				
	-5 (-20.6)	-	-	-	-	-	-				
	-10 (-23.3)	-	-	-	-	-	-				
	-15 (-26.1)	-	-	-	-	-	-				
	-20 (-28.9)	16400 (4810)	15600 (4570)	14800 (4340)	13900 (4070)	12900 (3780)	12000 (3520)				
	-25 (-31.7)	13800 (4040)	13000 (3810)	12300 (3600)	11600 (3400)	10700 (3140)	9820 (2880)				
	-30 (-34.4)	11200 (3280)	10600 (3110)	9950 (2920)	9240 (2710)	8460 (2480)	7650 (2240)				
	-35 (-37.2)	8970 (2630)	8360 (2450)	7720 (2260)	7050 (2070)	6300 (1850)	5520 (1620)				
-40 (-40.0)	6920 (2030)	6300 (1850)	5670 (1660)	4990 (1460)	4260 (1250)	3490 (1020)					

NOTES:

- Above ratings are based on mean temperature.
- Shaded Area Restriction: 20°F Max Superheat

- To convert to dew point ratings, use 0.95 multiplier.
- For R449A, use R448A data.

table continues on next page >>>

CAPACITY DATA - **R448A**

LOW TEMPERATURE

MODEL BES	SATURATED SUCTION TEMPERATURE		CAPACITY BTU/H (WATTS) R448A AMBIENT TEMPERATURE °F (°C)											
	° F	° C	85 (29.4)	90 (32.2)	95 (35.0)	100 (37.8)	105 (40.6)	110 (43.3)						
BESA035L8 Compressor Model 2DF3F16KE	-5 (-20.6)		27100 (7940)	25800 (7560)	24600 (7210)	23400 (6860)	22200 (6510)	21000 (6150)						
	-10 (-23.3)		23600 (6920)	22500 (6590)	21300 (6240)	20300 (5950)	19200 (5630)	18100 (5300)						
	-15 (-26.1)		20500 (6010)	19400 (5690)	18500 (5420)	17500 (5130)	16500 (4840)	15500 (4540)						
	-20 (-28.9)		17700 (5190)	16800 (4920)	16000 (4690)	15000 (4400)	14200 (4160)	13300 (3900)						
	-25 (-31.7)		15200 (4450)	14400 (4220)	13700 (4020)	12800 (3750)	12100 (3550)	11300 (3310)						
	-30 (-34.4)		13000 (3810)	12300 (3600)	11600 (3400)	10800 (3170)	10100 (2960)	9440 (2770)						
	-35 (-37.2)		10900 (3190)	10300 (3020)	9630 (2820)	8970 (2630)	8330 (2440)	7700 (2260)						
	-40 (-40.0)		9060 (2660)	8430 (2470)	7810 (2290)	7190 (2110)	6590 (1930)	6020 (1760)						
BESA040L8 Compressor Model 2DL3F20KE	-5 (-20.6)		32700 (9580)	31300 (9170)	29900 (8760)	28500 (8350)	27000 (7910)	25500 (7470)						
	-10 (-23.3)		28700 (8410)	27400 (8030)	26100 (7650)	24900 (7300)	23500 (6890)	22200 (6510)						
	-15 (-26.1)		25000 (7330)	23800 (6980)	22700 (6650)	21500 (6300)	20300 (5950)	19100 (5600)						
	-20 (-28.9)		21500 (6300)	20500 (6010)	19400 (5690)	18400 (5390)	17300 (5070)	16300 (4780)						
	-25 (-31.7)		18400 (5390)	17400 (5100)	16500 (4840)	15500 (4540)	14700 (4310)	13800 (4040)						
	-30 (-34.4)		15500 (4540)	14700 (4310)	13900 (4070)	13000 (3810)	12300 (3600)	11400 (3340)						
	-35 (-37.2)		13000 (3810)	12300 (3600)	11600 (3400)	10800 (3170)	10100 (2960)	9470 (2780)						
	-40 (-40.0)		10800 (3170)	10100 (2960)	9490 (2780)	8900 (2610)	8340 (2440)	7800 (2290)						
BESA060L8 Compressor Model 2DB3F25KE	-5 (-20.6)		40500 (11870)	39000 (11430)	37400 (10960)	35700 (10460)	34000 (9960)	32300 (9470)						
	-10 (-23.3)		35600 (10430)	34100 (9990)	32800 (9610)	31200 (9140)	29700 (8700)	28100 (8240)						
	-15 (-26.1)		31300 (9170)	29900 (8760)	28600 (8380)	27200 (7970)	25700 (7530)	24400 (7150)						
	-20 (-28.9)		27200 (7970)	26000 (7620)	24800 (7270)	23500 (6890)	22300 (6540)	21000 (6150)						
	-25 (-31.7)		23500 (6890)	22400 (6560)	21200 (6210)	20100 (5890)	19000 (5570)	17900 (5250)						
	-30 (-34.4)		20100 (5890)	19000 (5570)	18000 (5280)	16900 (4950)	15900 (4660)	14900 (4370)						
	-35 (-37.2)		16800 (4920)	15800 (4630)	14800 (4340)	13900 (4070)	12900 (3780)	12100 (3550)						
	-40 (-40.0)		13400 (3930)	12600 (3690)	11700 (3430)	10800 (3170)	10000 (2930)	9230 (2710)						
BESA061L8 Compressor Model 3DA3F28KE	-5 (-20.6)		46100 (13510)	44200 (12950)	42200 (12370)	40200 (11780)	38100 (11170)	36000 (10550)						
	-10 (-23.3)		40500 (11870)	38700 (11340)	36900 (10810)	35000 (10260)	33100 (9700)	31200 (9140)						
	-15 (-26.1)		35400 (10370)	33700 (9880)	32000 (9380)	30300 (8880)	28600 (8380)	26800 (7850)						
	-20 (-28.9)		30700 (9000)	29200 (8560)	27600 (8090)	26000 (7620)	24500 (7180)	22800 (6680)						
	-25 (-31.7)		26500 (7770)	25100 (7360)	23700 (6950)	22300 (6540)	20700 (6070)	19200 (5630)						
	-30 (-34.4)		22800 (6680)	21500 (6300)	20200 (5920)	18800 (5510)	17400 (5100)	16000 (4690)						
	-35 (-37.2)		19500 (5710)	18300 (5360)	17000 (4980)	15800 (4630)	14400 (4220)	13100 (3840)						
	-40 (-40.0)		16700 (4890)	15500 (4540)	14300 (4190)	13000 (3810)	11800 (3460)	10500 (3080)						
BESA075L8 Compressor Model 3DB3F33KE	-5 (-20.6)		53900 (15800)	51700 (15150)	49400 (14480)	47100 (13800)	44900 (13160)	42800 (12540)						
	-10 (-23.3)		47800 (14010)	45700 (13390)	43500 (12750)	41400 (12130)	39300 (11520)	37200 (10900)						
	-15 (-26.1)		42200 (12370)	40200 (11780)	38100 (11170)	36100 (10580)	34100 (9990)	32100 (9410)						
	-20 (-28.9)		37100 (10870)	35200 (10320)	33300 (9760)	31300 (9170)	29400 (8620)	27500 (8060)						
	-25 (-31.7)		32400 (9500)	30600 (8970)	28800 (8440)	26900 (7880)	25100 (7360)	23200 (6800)						
	-30 (-34.4)		28000 (8210)	26400 (7740)	24600 (7210)	22800 (6680)	21000 (6150)	19200 (5630)						
	-35 (-37.2)		23900 (7000)	22300 (6540)	20600 (6040)	18900 (5540)	17200 (5040)	15400 (4510)						
	-40 (-40.0)		20000 (5860)	18400 (5390)	16800 (4920)	15100 (4430)	13400 (3930)	11800 (3460)						
BESA090L8 Compressor Model 3DF3F40KE	-5 (-20.6)		68400 (20050)	65500 (19200)	62600 (18350)	59600 (17470)	56600 (16590)	53600 (15710)						
	-10 (-23.3)		60100 (17610)	57400 (16820)	54700 (16030)	52000 (15240)	49200 (14420)	46400 (13600)						
	-15 (-26.1)		52500 (15390)	50100 (14680)	47600 (13950)	45000 (13190)	42500 (12460)	39900 (11690)						
	-20 (-28.9)		45700 (13390)	43500 (12750)	41200 (12070)	38700 (11340)	36300 (10640)	33900 (9940)						
	-25 (-31.7)		39500 (11580)	37400 (10960)	35200 (10320)	33000 (9670)	30800 (9030)	28500 (8350)						
	-30 (-34.4)		33900 (9940)	31900 (9350)	29800 (8730)	27700 (8120)	25500 (7470)	23300 (6830)						
	-35 (-37.2)		28800 (8440)	26800 (7850)	24800 (7270)	22800 (6680)	20700 (6070)	18600 (5450)						
	-40 (-40.0)		23900 (7000)	22200 (6510)	20200 (5920)	18200 (5330)	16200 (4750)	14100 (4130)						

NOTES:

- Above ratings are based on mean temperature.
- To convert to dew point ratings, use 0.95 multiplier.
- Shaded Area Restriction: 20°F Max Superheat
- For R449A, use R448A data.

table continues on next page >>>

CAPACITY DATA - R448A
LOW TEMPERATURE (cont'd)

MODEL BES	SATURATED SUCTION TEMPERATURE		CAPACITY BTU/H (WATTS) R448A AMBIENT TEMPERATURE °F (°C)									
	° F	° C	85 (29.4)	90 (32.2)	95 (35.0)	100 (37.8)	105 (40.6)	110 (43.3)				
BESA100L8 Compressor Model 3DSF46KE	-5	(-20.6)	73900 (21660)	70800 (20750)	67500 (19780)	64300 (18840)	61000 (17880)	57600 (16880)				
	-10	(-23.3)	65000 (19050)	62100 (18200)	59100 (17320)	56200 (16470)	53100 (15560)	50000 (14650)				
	-15	(-26.1)	56900 (16680)	54200 (15880)	51500 (15090)	48700 (14270)	45900 (13450)	43100 (12630)				
	-20	(-28.9)	49500 (14510)	47000 (13770)	44500 (13040)	41900 (12280)	39300 (11520)	36500 (10700)				
	-25	(-31.7)	42800 (12540)	40400 (11840)	38100 (11170)	35600 (10430)	33200 (9730)	30700 (9000)				
	-30	(-34.4)	36600 (10730)	34400 (10080)	32200 (9440)	29900 (8760)	27500 (8060)	25100 (7360)				
	-35	(-37.2)	31100 (9110)	29000 (8500)	26800 (7850)	24600 (7210)	22300 (6540)	20000 (5860)				
-40	(-40.0)	25900 (7590)	23900 (7000)	21700 (6360)	19600 (5740)	17300 (5070)	15100 (4430)					
BESA130L8 Compressor Model 4DBNF54KE	-5	(-20.6)	89500 (26230)	85800 (25150)	81900 (24000)	78000 (22860)	73900 (21660)	69700 (20430)				
	-10	(-23.3)	79000 (23150)	75500 (22130)	72000 (21100)	68500 (20080)	64700 (18960)	60800 (17820)				
	-15	(-26.1)	69000 (20220)	65900 (19310)	62700 (18380)	59300 (17380)	56000 (16410)	52400 (15360)				
	-20	(-28.9)	59600 (17470)	56900 (16680)	54000 (15830)	50900 (14920)	47700 (13980)	44400 (13010)				
	-25	(-31.7)	51100 (14980)	48500 (14210)	45900 (13450)	43100 (12630)	40100 (11750)	37000 (10840)				
	-30	(-34.4)	43400 (12720)	41000 (12020)	38400 (11250)	35800 (10490)	33100 (9700)	30100 (8820)				
	-35	(-37.2)	36400 (10670)	34200 (10020)	31900 (9350)	29400 (8620)	26800 (7850)	24000 (7030)				
-40	(-40.0)	30500 (8940)	28400 (8320)	26100 (7650)	23700 (6950)	21200 (6210)	18600 (5450)					
BESA150L8 Compressor Model 4DHNF63KE	-5	(-20.6)	100700 (29510)	96500 (28280)	92200 (27020)	88000 (25790)	83700 (24530)	79500 (23300)				
	-10	(-23.3)	89800 (26320)	85900 (25170)	82100 (24060)	78100 (22890)	74200 (21750)	70400 (20630)				
	-15	(-26.1)	79500 (23300)	76000 (22270)	72500 (21250)	68900 (20190)	65300 (19140)	61700 (18080)				
	-20	(-28.9)	69900 (20490)	66700 (19550)	63400 (18580)	60100 (17610)	56700 (16620)	53300 (15620)				
	-25	(-31.7)	60800 (17820)	57900 (16970)	54800 (16060)	51700 (15150)	48500 (14210)	45400 (13310)				
	-30	(-34.4)	52300 (15330)	49500 (14510)	46600 (13660)	43600 (12780)	40600 (11900)	37600 (11020)				
	-35	(-37.2)	44200 (12950)	41500 (12160)	38600 (11310)	35800 (10490)	32900 (9640)	29900 (8760)				
-40	(-40.0)	36400 (10670)	33800 (9910)	31100 (9110)	28200 (8260)	25300 (7410)	22400 (6560)					
BESA220L8 Compressor Model 4DJNF76KE	-5	(-20.6)	122700 (35960)	117500 (34440)	112200 (32880)	106900 (31330)	101500 (29750)	96200 (28190)				
	-10	(-23.3)	108700 (31860)	103800 (30420)	98900 (28980)	93900 (27520)	88800 (26020)	83800 (24560)				
	-15	(-26.1)	95900 (28110)	91400 (26790)	86700 (25410)	82100 (24060)	77400 (22680)	72700 (21310)				
	-20	(-28.9)	84100 (24650)	79900 (23420)	75600 (22160)	71300 (20900)	66800 (19580)	62400 (18290)				
	-25	(-31.7)	73200 (21450)	69300 (20310)	65200 (19110)	61100 (17910)	56900 (16680)	52700 (15440)				
	-30	(-34.4)	62900 (18430)	59200 (17350)	55400 (16240)	51600 (15120)	47600 (13950)	43600 (12780)				
	-35	(-37.2)	53000 (15530)	49500 (14510)	45900 (13450)	42200 (12370)	38400 (11250)	34500 (10110)				
-40	(-40.0)	43200 (12660)	39900 (11690)	36400 (10670)	32900 (9640)	29300 (8590)	25600 (7500)					

NOTES:

- Above ratings are based on mean temperature.
- To convert to dew point ratings, use 0.95 multiplier.
- Shaded Area Restriction: 20°F Max Superheat
- For R449A, use R448A data.

CAPACITY DATA - R407C
HIGH / MEDIUM TEMPERATURE

MODEL BES	SATURATED SUCTION TEMPERATURE		CAPACITY BTU/H (WATTS) R407C AMBIENT TEMPERATURE °F (°C)							
	° F	° C	85 (29.4)	90 (32.2)	95 (35.0)	100 (37.8)	105 (40.6)	110 (43.3)		
BESA050H8 Compressor Model 2DC3R53KE	45 (7.2)		71900 (21070)	69400 (20340)	67000 (19640)	64700 (18960)	62400 (18290)	60200 (17640)		
	40 (4.4)		64700 (18960)	62400 (18290)	60200 (17640)	58000 (17000)	55900 (16380)	53800 (15770)		
	35 (1.7)		58100 (17030)	55900 (16380)	53800 (15770)	51800 (15180)	49800 (14590)	47800 (14010)		
	30 (-1.1)		51900 (15210)	49900 (14620)	47900 (14040)	46000 (13480)	44200 (12950)	42400 (12430)		
	25 (-3.9)		46200 (13540)	44300 (12980)	42500 (12460)	40700 (11930)	39100 (11460)	37400 (10960)		
	20 (-6.7)		41000 (12020)	39300 (11520)	37600 (11020)	36000 (10550)	34400 (10080)	33000 (9670)		
	15 (-9.4)		36200 (10610)	34700 (10170)	33200 (9730)	31700 (9290)	30200 (8850)	29000 (8500)		
10 (-12.2)		31900 (9350)	30600 (8970)	29200 (8560)	27800 (8150)	26600 (7800)	25400 (7440)			
BESA051H8 Compressor Model 2DD3R63KE	45 (7.2)		81300 (23830)	78500 (23010)	75900 (22240)	73300 (21480)	70900 (20780)	68500 (20080)		
	40 (4.4)		73300 (21480)	70800 (20750)	68400 (20050)	65900 (19310)	63600 (18640)	61300 (17970)		
	35 (1.7)		65900 (19310)	63500 (18610)	61200 (17940)	59000 (17290)	56800 (16650)	54700 (16030)		
	30 (-1.1)		59000 (17290)	56800 (16650)	54700 (16030)	52600 (15420)	50600 (14830)	48700 (14270)		
	25 (-3.9)		52700 (15440)	50700 (14860)	48700 (14270)	46800 (13720)	44900 (13160)	43200 (12660)		
	20 (-6.7)		46800 (13720)	45000 (13190)	43300 (12690)	41500 (12160)	39800 (11660)	38200 (11200)		
	15 (-9.4)		41600 (12190)	39900 (11690)	38200 (11200)	36600 (10730)	35200 (10320)	33700 (9880)		
10 (-12.2)		36800 (10780)	35300 (10350)	33800 (9910)	32400 (9500)	31100 (9110)	29800 (8730)			
BESA075H8 Compressor Model 2DL3R78KE	45 (7.2)		97500 (28570)	94500 (27700)	91500 (26820)	88500 (25940)	85700 (25120)	-	-	
	40 (4.4)		88400 (25910)	85500 (25060)	82600 (24210)	79900 (23420)	77200 (22630)	74600 (21860)		
	35 (1.7)		79800 (23390)	77100 (22600)	74400 (21800)	71800 (21040)	69300 (20310)	66900 (19610)		
	30 (-1.1)		71800 (21040)	69300 (20310)	66800 (19580)	64400 (18870)	62100 (18200)	59900 (17550)		
	25 (-3.9)		64400 (18870)	62100 (18200)	59700 (17500)	57500 (16850)	55400 (16240)	53400 (15650)		
	20 (-6.7)		57500 (16850)	55400 (16240)	53300 (15620)	51300 (15030)	49500 (14510)	47600 (13950)		
	15 (-9.4)		51200 (15010)	49400 (14480)	47500 (13920)	45800 (13420)	44000 (12900)	42400 (12430)		
10 (-12.2)		45600 (13360)	43900 (12870)	42300 (12400)	40700 (11930)	39300 (11520)	37800 (11080)			
BESA077H8 Compressor Model 2DA3R89KE	45 (7.2)		115000 (33700)	111300 (32620)	107600 (31530)	104100 (30510)	100600 (29480)	97200 (28490)		
	40 (4.4)		104100 (30510)	100600 (29480)	97200 (28490)	94000 (27550)	90700 (26580)	87600 (25670)		
	35 (1.7)		93900 (27520)	90700 (26580)	87600 (25670)	84500 (24760)	81500 (23890)	78500 (23010)		
	30 (-1.1)		84300 (24710)	81400 (23860)	78500 (23010)	75700 (22190)	73000 (21390)	70200 (20570)		
	25 (-3.9)		75500 (22130)	72800 (21340)	70100 (20540)	67600 (19810)	65100 (19080)	62600 (18350)		
	20 (-6.7)		67400 (19750)	64900 (19020)	62500 (18320)	60200 (17640)	57900 (16970)	55500 (16270)		
	15 (-9.4)		60000 (17580)	57600 (16880)	55500 (16270)	53300 (15620)	51200 (15010)	49100 (14390)		
10 (-12.2)		53100 (15560)	51100 (14980)	49100 (14390)	47100 (13800)	45200 (13250)	43300 (12690)			
BESA080H8 Compressor Model 3DA3R10ME	45 (7.2)		130400 (38220)	125700 (36840)	121200 (35520)	116700 (34200)	112200 (32880)	107800 (31590)		
	40 (4.4)		119500 (35020)	115300 (33790)	111100 (32560)	107000 (31360)	103000 (30190)	98900 (28980)		
	35 (1.7)		109100 (31970)	105200 (30830)	101500 (29750)	97800 (28660)	94100 (27580)	90300 (26460)		
	30 (-1.1)		99100 (29040)	95700 (28050)	92300 (27050)	88900 (26050)	85500 (25060)	82000 (24030)		
	25 (-3.9)		89700 (26290)	86600 (25380)	83600 (24500)	80400 (23560)	77300 (22650)	73900 (21660)		
	20 (-6.7)		80700 (23650)	78000 (22860)	75200 (22040)	72300 (21190)	69300 (20310)	66200 (19400)		
	15 (-9.4)		72500 (21250)	69900 (20490)	67400 (19750)	64700 (18960)	61700 (18080)	58700 (17200)		
10 (-12.2)		64700 (18960)	62500 (18320)	60000 (17580)	57300 (16790)	54600 (16000)	51600 (15120)			
BESA100H8 Compressor Model 3DB3R12ME	45 (7.2)		148700 (43580)	143400 (42030)	138300 (40530)	133100 (39010)	127900 (37480)	-	-	
	40 (4.4)		136900 (40120)	132200 (38740)	127500 (37370)	122700 (35960)	117900 (34550)	113000 (33120)		
	35 (1.7)		125600 (36810)	121300 (35550)	117000 (34290)	112700 (33030)	108200 (31710)	103500 (30330)		
	30 (-1.1)		114700 (33620)	110800 (32470)	106900 (31330)	102800 (30130)	98700 (28930)	94400 (27670)		
	25 (-3.9)		104200 (30540)	100700 (29510)	97100 (28460)	93500 (27400)	89600 (26260)	85500 (25060)		
	20 (-6.7)		94300 (27640)	91100 (26700)	87800 (25730)	84300 (24710)	80600 (23620)	76800 (22510)		
	15 (-9.4)		84900 (24880)	82100 (24060)	79000 (23150)	75700 (22190)	72100 (21130)	68400 (20050)		
10 (-12.2)		76200 (22330)	73500 (21540)	70700 (20720)	67400 (19750)	64100 (18790)	60300 (17670)			
BESA120H8 Compressor Model 3DF3R15ME	45 (7.2)		183300 (53720)	176600 (51760)	170000 (49820)	163600 (47950)	157100 (46040)	150800 (44190)		
	40 (4.4)		168000 (49240)	162000 (47480)	156100 (45750)	150300 (44050)	144400 (42320)	138500 (40590)		
	35 (1.7)		153300 (44930)	147900 (43350)	142700 (41820)	137300 (40240)	132000 (38690)	126600 (37100)		
	30 (-1.1)		139200 (40800)	134500 (39420)	129800 (38040)	125000 (36630)	120000 (35170)	115000 (33700)		
	25 (-3.9)		125900 (36900)	121700 (35670)	117400 (34410)	113000 (33120)	108500 (31800)	103700 (30390)		
	20 (-6.7)		113300 (33200)	109500 (32090)	105700 (30980)	101600 (29780)	97400 (28550)	93000 (27260)		
	15 (-9.4)		101500 (29750)	98200 (28780)	94700 (27750)	90900 (26640)	86900 (25470)	82700 (24240)		
10 (-12.2)		90600 (26550)	87600 (25670)	84300 (24710)	80900 (23710)	77100 (22600)	72900 (21360)			
BESA150H8 Compressor Model 3DS3R17ME	45 (7.2)		202100 (59230)	195000 (57150)	187800 (55040)	181000 (53050)	174200 (51050)	167400 (49060)		
	40 (4.4)		185700 (54420)	179200 (52520)	172900 (50670)	166600 (48830)	160500 (47040)	154400 (45250)		
	35 (1.7)		169900 (49790)	164100 (48090)	158400 (46420)	152900 (44810)	147300 (43170)	141600 (41500)		
	30 (-1.1)		154800 (45370)	149600 (43840)	144600 (42380)	139500 (40880)	134500 (39420)	129300 (37890)		
	25 (-3.9)		140400 (41150)	135900 (39830)	131400 (38510)	126700 (37130)	122100 (35780)	117300 (34380)		
	20 (-6.7)		126800 (37160)	122900 (36020)	118800 (34820)	114600 (33590)	110300 (32330)	105700 (30980)		
	15 (-9.4)		114100 (33440)	110500 (32380)	106800 (31300)	102900 (30160)	98800 (28960)	94500 (27700)		
10 (-12.2)		102200 (29950)	98900 (28980)	95400 (27960)	91800 (26900)	87800 (25730)	83600 (24500)			

NOTES:

- Above ratings are based on mean temperature.
- To convert to dew point ratings, use 0.95 multiplier.

MODEL BES	SATURATED SUCTION TEMPERATURE		CAPACITY BTU/H (WATTS) R404A R507						AMBIENT TEMPERATURE °F (°C)	
	° F	° C	85 (29.4)	90 (32.2)	95 (35.0)	100 (37.8)	105 (40.6)	110 (43.3)		
BESA050H8 Compressor Model 2DC3R53KE	40 (4.4)		66260 (19401)	63070 (18467)	59920 (17545)	56790 (16628)	53690 (15720)	50630 (14824)		
	35 (1.7)		60610 (17747)	57700 (16895)	54810 (16048)	51940 (15208)	49110 (14379)	46300 (13557)		
	30 (-1.1)		55200 (16163)	52540 (15384)	49910 (14614)	47300 (13849)	44720 (13094)	42170 (12347)		
	25 (-3.9)		50040 (14652)	47630 (13946)	45240 (13246)	42880 (12555)	40540 (11870)	38220 (11191)		
	20 (-6.7)		45150 (13220)	42970 (12582)	40820 (11952)	38690 (11328)	36570 (10708)	34480 (10096)		
	15 (-9.4)		40530 (11867)	38580 (11296)	36640 (10728)	34730 (10169)	32840 (9616)	30960 (9065)		
	10 (-12.2)		36210 (10602)	34470 (10093)	32740 (9586)	31030 (9086)	29330 (8588)	27660 (8099)		
	5 (-15.0)		32190 (9425)	30650 (8974)	29110 (8523)	27590 (8078)	26080 (7636)	24590 (7200)		
	0 (-17.8)		28500 (8345)	27130 (7944)	25770 (7545)	24420 (7150)	23080 (6758)	21750 (6368)		
-5 (-20.6)		25130 (7358)	23920 (7004)	22730 (6655)	21530 (6304)	20350 (5958)	19170 (5613)			
BESA051H8 Compressor Model 2DD3R63KE	40 (4.4)		76190 (22308)	72660 (21275)	69110 (20235)	65540 (19190)	61960 (18142)	58370 (17091)		
	35 (1.7)		70010 (20499)	66770 (19550)	63520 (18599)	60250 (17641)	56970 (16681)	53680 (15718)		
	30 (-1.1)		64030 (18748)	61070 (17881)	58100 (17012)	55130 (16142)	52130 (15264)	49130 (14385)		
	25 (-3.9)		58270 (17061)	55580 (16274)	52880 (15483)	50190 (14696)	47480 (13902)	44760 (13106)		
	20 (-6.7)		52770 (15451)	50330 (14737)	47900 (14025)	45460 (13311)	43020 (12596)	40570 (11879)		
	15 (-9.4)		47540 (13920)	45350 (13278)	43160 (12637)	40970 (11996)	38780 (11355)	36590 (10714)		
	10 (-12.2)		42630 (12482)	40660 (11905)	38700 (11331)	36750 (10760)	34800 (10189)	32850 (9618)		
	5 (-15.0)		38050 (11141)	36290 (10626)	34540 (10113)	32810 (9607)	31080 (9100)	29360 (8597)		
	0 (-17.8)		33840 (9908)	32270 (9449)	30720 (8995)	29190 (8547)	27670 (8102)	26160 (7660)		
-5 (-20.6)		30020 (8790)	28630 (8383)	27250 (7979)	25900 (7584)	24570 (7194)	23260 (6811)			
BESA075H8 Compressor Model 2DL3R78KE	40 (4.4)		88330 (25863)	84230 (24663)	80140 (23465)	76060 (22270)	71980 (21076)	67910 (19884)		
	35 (1.7)		81450 (23849)	77700 (22751)	73950 (21653)	70220 (20560)	66480 (19465)	62750 (18373)		
	30 (-1.1)		74800 (21901)	71370 (20897)	67970 (19902)	64550 (18900)	61150 (17905)	57750 (16909)		
	25 (-3.9)		68400 (20028)	65290 (19117)	62190 (18209)	59100 (17304)	56010 (16400)	52920 (15495)		
	20 (-6.7)		62270 (18233)	59460 (17410)	56660 (16590)	53860 (15770)	51070 (14953)	48280 (14136)		
	15 (-9.4)		56450 (16529)	53910 (15785)	51390 (15047)	48870 (14309)	46370 (13577)	43860 (12842)		
	10 (-12.2)		50940 (14915)	48670 (14251)	46400 (13586)	44150 (12927)	41900 (12268)	39650 (11610)		
	5 (-15.0)		45790 (13407)	43750 (12810)	41720 (12216)	39710 (11627)	37690 (11036)	35680 (10447)		
	0 (-17.8)		41000 (12005)	39180 (11472)	37370 (10942)	35560 (10412)	33760 (9885)	31970 (9361)		
-5 (-20.6)		36610 (10719)	34970 (10239)	33350 (9765)	31730 (9291)	30120 (8819)	28510 (8348)			
BESA077H8 Compressor Model 2DA3R89KE	40 (4.4)		106500 (31210)	101600 (29780)	96600 (28310)	91700 (26870)	86700 (25410)	81800 (23970)		
	35 (1.7)		97900 (28690)	93300 (27340)	88700 (26000)	84200 (24680)	79700 (23360)	75200 (22040)		
	30 (-1.1)		89700 (26290)	85500 (25060)	81200 (23800)	77000 (22570)	72900 (21360)	68700 (20130)		
	25 (-3.9)		81700 (23940)	77800 (22800)	74100 (21720)	70200 (20570)	66400 (19460)	62600 (18350)		
	20 (-6.7)		74300 (21780)	70700 (20720)	67200 (19690)	63600 (18640)	60200 (17640)	56800 (16650)		
	15 (-9.4)		67100 (19660)	63900 (18730)	60700 (17790)	57500 (16850)	54400 (15940)	51200 (15010)		
	10 (-12.2)		60300 (17670)	57400 (16820)	54600 (16000)	51700 (15150)	48900 (14330)	46000 (13480)		
	5 (-15.0)		54000 (15830)	51300 (15030)	48800 (14300)	46200 (13540)	43700 (12810)	41100 (12050)		
	0 (-17.8)		48000 (14070)	45700 (13390)	43400 (12720)	41000 (12020)	38800 (11370)	36400 (10670)		
-5 (-20.6)		42400 (12430)	40400 (11840)	38300 (11220)	36200 (10610)	34200 (10020)	32100 (9410)			
BESA080H8 Compressor Model 3DA3R10ME	40 (4.4)		121100 (35492)	115500 (33851)	110100 (32268)	104800 (30715)	99600 (29191)	94400 (27667)		
	35 (1.7)		111600 (32708)	106500 (31213)	101600 (29777)	96800 (28370)	92000 (26964)	87300 (25586)		
	30 (-1.1)		102500 (30041)	97900 (28693)	93400 (27374)	89000 (26084)	84800 (24853)	80500 (23593)		
	25 (-3.9)		93700 (27462)	89600 (26260)	85500 (25059)	81600 (23916)	77800 (22802)	73900 (21659)		
	20 (-6.7)		85300 (25000)	81600 (23916)	78100 (22890)	74600 (21864)	71100 (20838)	67700 (19842)		
	15 (-9.4)		77400 (22685)	74100 (21717)	70900 (20780)	67800 (19871)	64800 (18992)	61700 (18083)		
	10 (-12.2)		69900 (20487)	67000 (19637)	64200 (18816)	61500 (18025)	58700 (17204)	56000 (16413)		
	5 (-15.0)		62900 (18435)	60300 (17673)	57900 (16970)	55400 (16237)	53100 (15563)	50600 (14830)		
	0 (-17.8)		56400 (16530)	54100 (15856)	51900 (15211)	49800 (14596)	47700 (13980)	45500 (13335)		
-5 (-20.6)		50300 (14742)	48300 (14156)	46400 (13599)	44600 (13072)	42700 (12515)	40700 (11928)			

table continues on next page >>>

CAPACITY DATA - R404A R507
HIGH / MEDIUM TEMPERATURE (cont'd)

MODEL BES	SATURATED SUCTION TEMPERATURE		CAPACITY BTU/H (WATTS) R404A R507 AMBIENT TEMPERATURE °F (°C)									
	° F	° C	85 (29.4)	90 (32.2)	95 (35.0)	100 (37.8)	105 (40.6)	110 (43.3)				
BESA100H8 Compressor Model 3DB3R12ME	40	(4.4)	137300 (40240)	131100 (38423)	124900 (36606)	118700 (34789)	112500 (32972)	106300 (31155)				
	35	(1.7)	127000 (37222)	121300 (35551)	115700 (33910)	110000 (32239)	104300 (30569)	98600 (28898)				
	30	(-1.1)	117100 (34320)	111900 (32796)	106800 (31301)	101600 (29777)	96500 (28283)	91300 (26758)				
	25	(-3.9)	107600 (31536)	102900 (30158)	98300 (28810)	93600 (27433)	88900 (26055)	84200 (24678)				
	20	(-6.7)	98600 (28898)	94300 (27638)	90100 (26407)	85900 (25176)	81700 (23945)	77400 (22685)				
	15	(-9.4)	89900 (26348)	86100 (25234)	82400 (24150)	78600 (23036)	74800 (21923)	70900 (20780)				
	10	(-12.2)	81800 (23974)	78400 (22978)	75000 (21981)	71600 (20985)	68100 (19959)	64700 (18962)				
	5	(-15.0)	74000 (21688)	71000 (20809)	67900 (19900)	64900 (19021)	61800 (18113)	58700 (17204)				
	0	(-17.8)	66700 (19549)	64000 (18757)	61300 (17966)	58500 (17145)	55800 (16354)	53000 (15533)				
	-5	(-20.6)	59800 (17526)	57400 (16823)	54900 (16090)	52400 (15358)	49900 (14625)	47400 (13892)				
BESA120H8 Compressor Model 3DF3R15ME	40	(4.4)	177000 (51861)	168900 (49488)	160800 (47114)	152800 (44770)	144900 (42456)	136900 (40112)				
	35	(1.7)	163200 (47818)	155900 (45679)	148500 (43511)	141200 (41372)	133900 (39233)	126700 (37123)				
	30	(-1.1)	150100 (43979)	143400 (42016)	136700 (40053)	130100 (38119)	123500 (36186)	116900 (34252)				
	25	(-3.9)	137500 (40288)	131400 (38500)	125400 (36742)	119400 (34984)	113400 (33226)	107500 (31498)				
	20	(-6.7)	125500 (36772)	120100 (35189)	114600 (33578)	109300 (32025)	103900 (30443)	98600 (28890)				
	15	(-9.4)	114200 (33461)	109300 (32025)	104500 (30619)	99600 (29183)	94800 (27776)	90000 (26370)				
	10	(-12.2)	103500 (30326)	99200 (29066)	94800 (27776)	90500 (26517)	86200 (25257)	82000 (24026)				
	5	(-15.0)	93500 (27396)	89600 (26253)	85800 (25139)	81900 (23997)	78100 (22883)	74300 (21770)				
	0	(-17.8)	84200 (24671)	80700 (23645)	77200 (22620)	73800 (21623)	70400 (20627)	67000 (19631)				
	-5	(-20.6)	75500 (22122)	72400 (21213)	69300 (20305)	66200 (19397)	63100 (18488)	60100 (17609)				
BESA150H8 Compressor Model 3DS3R17ME	40	(4.4)	191000 (55963)	182200 (53385)	173500 (50836)	164800 (48286)	156100 (45737)	147500 (43218)				
	35	(1.7)	176600 (51744)	168500 (49371)	160500 (47027)	152600 (44712)	144600 (42368)	136800 (40082)				
	30	(-1.1)	162600 (47642)	155300 (45503)	148000 (43364)	140800 (41254)	133600 (39145)	126400 (37035)				
	25	(-3.9)	149300 (43745)	142600 (41782)	136100 (39877)	129500 (37944)	123000 (36039)	116500 (34135)				
	20	(-6.7)	136500 (39995)	130600 (38266)	124600 (36508)	118700 (34779)	112900 (33080)	107000 (31351)				
	15	(-9.4)	124400 (36449)	119100 (34896)	113800 (33343)	108500 (31791)	103200 (30238)	98000 (28714)				
	10	(-12.2)	113000 (33109)	108200 (31703)	103400 (30296)	98700 (28919)	94000 (27542)	89300 (26165)				
	5	(-15.0)	102200 (29945)	97900 (28685)	93700 (27454)	89400 (26194)	85300 (24993)	81100 (23762)				
	0	(-17.8)	92100 (26985)	88300 (25872)	84500 (24759)	80700 (23645)	77000 (22561)	73200 (21448)				
	-5	(-20.6)	82700 (24231)	79200 (23206)	75800 (22209)	72500 (21243)	69100 (20246)	65700 (19250)				

CAPACITY DATA - R404A R507
MEDIUM TEMPERATURE

MODEL BES	SATURATED SUCTION TEMPERATURE		CAPACITY BTU/H (WATTS) R404A R507 AMBIENT TEMPERATURE °F (°C)					
	° F	° C	85 (29.4)	90 (32.2)	95 (35.0)	100 (37.8)	105 (40.6)	110 (43.3)
BESA010M8 Compressor Model KARB-010E	25 (-3.9)		10300 (3019)	9860 (2890)	9360 (2743)	8870 (2600)	8370 (2453)	7870 (2307)
	20 (-6.7)		9530 (2793)	9070 (2658)	8620 (2526)	8160 (2392)	7690 (2254)	7230 (2119)
	15 (-9.4)		8680 (2544)	8260 (2421)	7840 (2298)	7420 (2175)	6990 (2049)	6560 (1923)
	10 (-12.2)		7840 (2298)	7450 (2183)	7070 (2072)	6670 (1955)	6280 (1841)	5880 (1723)
	5 (-15)		7010 (2055)	6650 (1949)	6300 (1846)	5950 (1744)	5590 (1638)	5230 (1533)
	0 (-17.8)		6240 (1829)	5920 (1735)	5600 (1641)	5280 (1547)	4960 (1454)	4650 (1363)
	-5 (-20.6)		5550 (1627)	5260 (1542)	4990 (1462)	4700 (1377)	4420 (1295)	4130 (1210)
BESA020M8 Compressor Model KAKA-020E	25 (-3.9)		17100 (5012)	16300 (4777)	15400 (4513)	14600 (4279)	13700 (4015)	12800 (3751)
	20 (-6.7)		15700 (4601)	14900 (4367)	14100 (4132)	13300 (3898)	12500 (3664)	11800 (3458)
	15 (-9.4)		14200 (4162)	13500 (3957)	12800 (3751)	12100 (3546)	11400 (3341)	10700 (3136)
	10 (-12.2)		12700 (3722)	12100 (3546)	11400 (3341)	10800 (3165)	10200 (2989)	9570 (2805)
	5 (-15)		11300 (3312)	10700 (3136)	10200 (2989)	9620 (2819)	9060 (2655)	8510 (2494)
	0 (-17.8)		10100 (2960)	9560 (2802)	9050 (2652)	8550 (2506)	8040 (2356)	7550 (2213)
	-5 (-20.6)		9040 (2649)	8580 (2515)	8120 (2380)	7650 (2242)	7200 (2110)	6750 (1978)
BESA021M8 Compressor Model ERCA-021E	25 (-3.9)		21600 (6331)	20500 (6008)	19400 (5686)	18300 (5363)	17100 (5012)	16100 (4719)
	20 (-6.7)		19600 (5744)	18500 (5422)	17500 (5129)	16500 (4836)	15500 (4543)	14500 (4250)
	15 (-9.4)		17700 (5188)	16700 (4894)	15800 (4631)	14900 (4367)	14000 (4103)	13000 (3810)
	10 (-12.2)		16000 (4689)	15100 (4426)	14200 (4162)	13400 (3927)	12500 (3664)	11700 (3429)
	5 (-15)		14300 (4191)	13500 (3957)	12700 (3722)	12000 (3517)	11200 (3283)	10500 (3077)
	0 (-17.8)		12700 (3722)	12000 (3517)	11300 (3312)	10600 (3107)	9910 (2904)	9230 (2705)
	-5 (-20.6)		11100 (3253)	10500 (3077)	9860 (2890)	9230 (2705)	8610 (2523)	7990 (2342)
BESA030M8 Compressor Model ERFA-031E	25 (-3.9)		31330 (9173)	29860 (8743)	28360 (8304)	26840 (7859)	25320 (7414)	23780 (6963)
	20 (-6.7)		28410 (8318)	27070 (7926)	25700 (7525)	24320 (7121)	22930 (6714)	21530 (6304)
	15 (-9.4)		25680 (7519)	24450 (7159)	23210 (6796)	21950 (6427)	20690 (6058)	19420 (5686)
	10 (-12.2)		23130 (6772)	22010 (6445)	20880 (6114)	19730 (5777)	18580 (5440)	17430 (5104)
	5 (-15.0)		20750 (6076)	19730 (5777)	18700 (5475)	17650 (5168)	16600 (4860)	15550 (4553)
	0 (-17.8)		18520 (5423)	17590 (5150)	16640 (4872)	15680 (4591)	14720 (4310)	13770 (4032)
	-5 (-20.6)		16440 (4814)	15570 (4559)	14700 (4304)	13810 (4044)	12930 (3786)	12050 (3528)

CAPACITY DATA - R404A R507
LOW TEMPERATURE

MODEL BES	SATURATED SUCTION TEMPERATURE ° F ° C		CAPACITY BTU/H (WATTS) R404A R507						AMBIENT TEMPERATURE °F (°C)	
			85 (29.4)	90 (32.2)	95 (35.0)	100 (37.8)	105 (40.6)	110 (43.3)		
BESA005L8 Compressor Model KANB-005E	0 (-17.8)		4200 (1231)	3920 (1149)	3660 (1073)	3390 (994)	3130 (917)	2860 (838)		
	-5 (-20.6)		3690 (1081)	3430 (1005)	3190 (935)	2960 (868)	2720 (797)	2490 (730)		
	-10 (-23.3)		3190 (935)	2970 (870)	2750 (806)	2540 (744)	2340 (686)	2120 (621)		
	-15 (-26.1)		2730 (800)	2530 (742)	2340 (686)	2150 (630)	1970 (577)	1780 (522)		
	-20 (-28.9)		2310 (677)	2130 (624)	1960 (574)	1790 (525)	1630 (478)	1460 (428)		
	-25 (-31.7)		1930 (566)	1760 (516)	1610 (472)	1460 (428)	1320 (387)	1170 (343)		
	-30 (-34.4)		1580 (463)	1430 (419)	1300 (381)	1170 (343)	1040 (305)	910 (267)		
	-35 (-37.2)		1280 (375)	1150 (337)	1030 (302)	920 (270)	790 (232)	680 (199)		
	-40 (-40.0)		1030 (302)	920 (270)	800 (234)	700 (205)	590 (173)	480 (141)		
BESA008L8 Compressor Model KAMB-007E	0 (-17.8)		6440 (1887)	6130 (1797)	5820 (1706)	5500 (1612)	5180 (1518)	4850 (1421)		
	-5 (-20.6)		5760 (1688)	5470 (1603)	5190 (1521)	4910 (1439)	4620 (1354)	4320 (1266)		
	-10 (-23.3)		5090 (1492)	4830 (1416)	4580 (1342)	4330 (1269)	4070 (1193)	3790 (1111)		
	-15 (-26.1)		4450 (1304)	4220 (1237)	4000 (1172)	3770 (1105)	3520 (1032)	3280 (961)		
	-20 (-28.9)		3850 (1128)	3650 (1070)	3440 (1008)	3230 (947)	3020 (885)	2790 (818)		
	-25 (-31.7)		3320 (973)	3130 (917)	2950 (865)	2760 (809)	2560 (750)	2350 (689)		
	-30 (-34.4)		2860 (838)	2690 (788)	2520 (739)	2350 (689)	2160 (633)	1970 (577)		
	-35 (-37.2)		2480 (727)	2330 (683)	2170 (636)	2020 (592)	1840 (539)	1660 (487)		
	-40 (-40.0)		2210 (648)	2070 (607)	1930 (566)	1770 (519)	1610 (472)	1430 (419)		
BESA010L8 Compressor Model KAJB-010E	0 (-17.8)		8130 (2383)	7680 (2251)	7250 (2125)	6810 (1996)	6360 (1864)	5910 (1732)		
	-5 (-20.6)		7280 (2134)	6880 (2016)	6480 (1899)	6080 (1782)	5680 (1665)	5260 (1542)		
	-10 (-23.3)		6490 (1902)	6130 (1797)	5760 (1688)	5400 (1583)	5030 (1474)	4660 (1366)		
	-15 (-26.1)		5750 (1685)	5420 (1589)	5090 (1492)	4750 (1392)	4420 (1295)	4090 (1199)		
	-20 (-28.9)		5060 (1483)	4760 (1395)	4460 (1307)	4150 (1216)	3850 (1128)	3550 (1040)		
	-25 (-31.7)		4410 (1292)	4140 (1213)	3870 (1134)	3610 (1058)	3340 (979)	3070 (900)		
	-30 (-34.4)		3810 (1117)	3570 (1046)	3330 (976)	3090 (906)	2850 (835)	2620 (768)		
	-35 (-37.2)		3270 (958)	3050 (894)	2830 (829)	2620 (768)	2410 (706)	2190 (642)		
	-40 (-40.0)		2760 (809)	2560 (750)	2370 (695)	2180 (639)	2000 (586)	1810 (530)		
BESA015L8 Compressor Model KALB-015E	0 (-17.8)		12600 (3693)	12000 (3517)	11300 (3312)	10700 (3136)	10000 (2931)	9370 (2746)		
	-5 (-20.6)		11300 (3312)	10700 (3136)	10100 (2960)	9510 (2787)	8920 (2614)	8330 (2441)		
	-10 (-23.3)		10000 (2931)	9500 (2784)	8960 (2626)	8430 (2471)	7890 (2312)	7350 (2154)		
	-15 (-26.1)		8880 (2603)	8380 (2456)	7900 (2315)	7410 (2172)	6920 (2028)	6440 (1887)		
	-20 (-28.9)		7790 (2283)	7350 (2154)	6910 (2025)	6470 (1896)	6030 (1767)	5580 (1635)		
	-25 (-31.7)		6790 (1990)	6390 (1873)	5980 (1753)	5590 (1638)	5190 (1521)	4790 (1404)		
	-30 (-34.4)		5850 (1715)	5490 (1609)	5130 (1504)	4770 (1398)	4410 (1292)	4050 (1187)		
	-35 (-37.2)		5000 (1465)	4670 (1369)	4340 (1272)	4020 (1178)	3690 (1081)	3360 (985)		
	-40 (-40.0)		4200 (1231)	3900 (1143)	3610 (1058)	3310 (970)	3010 (882)	2700 (791)		
BESA020L8 Compressor Model EADB-021E	0 (-17.8)		14600 (4279)	13800 (4045)	12900 (3781)	12100 (3546)	11300 (3312)	10500 (3077)		
	-5 (-20.6)		13000 (3810)	12200 (3576)	11400 (3341)	10700 (3136)	9940 (2913)	9220 (2702)		
	-10 (-23.3)		11500 (3370)	10800 (3165)	10100 (2960)	9360 (2743)	8680 (2544)	8030 (2353)		
	-15 (-26.1)		10100 (2960)	9410 (2758)	8780 (2573)	8140 (2386)	7530 (2207)	6950 (2037)		
	-20 (-28.9)		8760 (2567)	8170 (2394)	7590 (2225)	7020 (2057)	6480 (1899)	5960 (1747)		
	-25 (-31.7)		7560 (2216)	7050 (2066)	6520 (1911)	6000 (1758)	5530 (1621)	5080 (1489)		
	-30 (-34.4)		6490 (1902)	6020 (1764)	5550 (1627)	5100 (1495)	4680 (1372)	4300 (1260)		
	-35 (-37.2)		5530 (1621)	5100 (1495)	4690 (1375)	4300 (1260)	3930 (1152)	3620 (1061)		
	-40 (-40.0)		4680 (1372)	4300 (1260)	3930 (1152)	3590 (1052)	3290 (964)	3040 (891)		
BESA021L8 Compressor Model EAVB-021E	0 (-17.8)		15900 (4660)	15100 (4426)	14200 (4162)	13400 (3927)	12600 (3693)	11800 (3458)		
	-5 (-20.6)		14300 (4191)	13500 (3957)	12800 (3751)	12000 (3517)	11300 (3312)	10600 (3107)		
	-10 (-23.3)		12700 (3722)	12000 (3517)	11400 (3341)	10700 (3136)	10100 (2960)	9400 (2755)		
	-15 (-26.1)		11200 (3283)	10600 (3107)	10000 (2931)	9430 (2764)	8840 (2591)	8250 (2418)		
	-20 (-28.9)		9820 (2878)	9290 (2723)	8770 (2570)	8220 (2409)	7670 (2248)	7120 (2087)		
	-25 (-31.7)		8550 (2506)	8080 (2368)	7580 (2222)	7080 (2075)	6560 (1923)	6040 (1770)		
	-30 (-34.4)		7400 (2169)	6960 (2040)	6500 (1905)	6020 (1764)	5510 (1615)	4990 (1462)		
	-35 (-37.2)		6390 (1873)	5960 (1747)	5510 (1615)	5030 (1474)	4520 (1325)	3990 (1169)		
	-40 (-40.0)		5510 (1615)	5090 (1492)	4620 (1354)	4120 (1208)	3590 (1052)	3050 (894)		

table continues on next page >>>

CAPACITY DATA - R404A R507
LOW TEMPERATURE (cont'd)

MODEL	SATURATED SUCTION TEMPERATURE	CAPACITY BTU/H (WATTS) R404A R507 AMBIENT TEMPERATURE °F (°C)											
		85 (29.4)		90 (32.2)		95 (35.0)		100 (37.8)		105 (40.6)		110 (43.3)	
BES	°F °C												
BESA030L8 Compressor Model LAHA-032E	0 (-17.8)	26650 (7803)	25250 (7393)	23870 (6989)	22490 (6585)	21090 (6175)	19680 (5762)						
	-5 (-20.6)	23750 (6954)	22470 (6579)	21190 (6204)	19900 (5827)	18610 (5449)	17300 (5065)						
	-10 (-23.3)	20990 (6146)	19810 (5800)	18630 (5455)	17440 (5106)	16250 (4758)	15030 (4401)						
	-15 (-26.1)	18360 (5376)	17280 (5060)	16200 (4743)	15110 (4424)	14020 (4105)	12900 (3777)						
	-20 (-28.9)	15870 (4647)	14890 (4360)	13920 (4076)	12930 (3786)	11930 (3493)	10910 (3194)						
	-25 (-31.7)	13550 (3967)	12670 (3710)	11780 (3449)	10900 (3192)	9990 (2925)	9060 (2653)						
	-30 (-34.4)	11380 (3332)	10600 (3104)	9820 (2875)	9020 (2641)	8210 (2404)	7370 (2158)						
	-35 (-37.2)	9400 (2752)	8710 (2550)	8030 (2351)	7330 (2146)	6610 (1935)	5860 (1716)						
-40 (-40.0)	7600 (2225)	7020 (2055)	6420 (1880)	5820 (1704)	5190 (1520)	4520 (1323)							
BESA032L8 Compressor Model LACA-032E	0 (-17.8)	-	-	-	-	-	-	-	-	-	-	-	-
	-5 (-20.6)	-	-	-	-	-	-	-	-	-	-	-	-
	-10 (-23.3)	-	-	-	-	-	-	-	-	-	-	-	-
	-15 (-26.1)	-	-	-	-	-	-	-	-	-	-	-	-
	-20 (-28.9)	19310 (5654)	18220 (5335)	17140 (5019)	16070 (4705)	15030 (4401)	14010 (4102)						
	-25 (-31.7)	16820 (4925)	15810 (4629)	14810 (4336)	13820 (4046)	12840 (3760)	11870 (3476)						
	-30 (-34.4)	14470 (4237)	13570 (3973)	12670 (3710)	11770 (3446)	10880 (3186)	9990 (2925)						
	-35 (-37.2)	12210 (3575)	11440 (3350)	10660 (3121)	9890 (2896)	9110 (2667)	8330 (2439)						
-40 (-40.0)	9990 (2925)	9380 (2746)	8770 (2568)	8140 (2383)	7500 (2196)	6850 (2006)							
BESA035L6 Compressor Model 2DF3F16KE	0 (-17.8)	33210 (9724)	31580 (9247)	29980 (8778)	28400 (8316)	26820 (7853)	25260 (7396)						
	-5 (-20.6)	29850 (8740)	28390 (8313)	26950 (7891)	25540 (7478)	24130 (7065)	22710 (6649)						
	-10 (-23.3)	26660 (7806)	25360 (7425)	24080 (7051)	22810 (6679)	21540 (6307)	20270 (5935)						
	-15 (-26.1)	23650 (6925)	22490 (6585)	21350 (6251)	20210 (5917)	19070 (5584)	17930 (5250)						
	-20 (-28.9)	20840 (6102)	19810 (5800)	18780 (5499)	17760 (5200)	16730 (4899)	15680 (4591)						
	-25 (-31.7)	18240 (5341)	17300 (5065)	16380 (4796)	15450 (4524)	14500 (4246)	13540 (3965)						
	-30 (-34.4)	15840 (4638)	14990 (4389)	14140 (4140)	13280 (3888)	12400 (3631)	11500 (3367)						
	-35 (-37.2)	13650 (3997)	12860 (3765)	12070 (3534)	11260 (3297)	10420 (3051)	9560 (2799)						
-40 (-40.0)	11680 (3420)	10920 (3197)	10160 (2975)	9380 (2746)	8560 (2506)	7710 (2257)							
BESA040L6 Compressor Model 2DL3F20KE	0 (-17.8)	40500 (11858)	38610 (11305)	36730 (10755)	34850 (10204)	32980 (9657)	31100 (9106)						
	-5 (-20.6)	36420 (10664)	34720 (10166)	33020 (9668)	31320 (9170)	29620 (8673)	27920 (8175)						
	-10 (-23.3)	32580 (9539)	31050 (9091)	29510 (8641)	27980 (8193)	26440 (7742)	24910 (7294)						
	-15 (-26.1)	28970 (8482)	27590 (8078)	26210 (7674)	24830 (7270)	23440 (6863)	22060 (6459)						
	-20 (-28.9)	25600 (7496)	24350 (7130)	23110 (6767)	21870 (6404)	20620 (6038)	19370 (5672)						
	-25 (-31.7)	22450 (6573)	21330 (6245)	20220 (5920)	19090 (5590)	17970 (5262)	16850 (4934)						
	-30 (-34.4)	19540 (5721)	18530 (5426)	17520 (5130)	16510 (4834)	15490 (4535)	14470 (4237)						
	-35 (-37.2)	16850 (4934)	15930 (4664)	15010 (4395)	14090 (4126)	13160 (3853)	12230 (3581)						
-40 (-40.0)	14380 (4210)	13540 (3965)	12690 (3716)	11840 (3467)	10990 (3218)	10130 (2966)							
BESA060L6 Compressor Model 2DB3F25KE	0 (-17.8)	50110 (14672)	47880 (14019)	45640 (13363)	43400 (12708)	41130 (12043)	38840 (11372)						
	-5 (-20.6)	45110 (13208)	43090 (12617)	41080 (12028)	39060 (11437)	37030 (10842)	34980 (10242)						
	-10 (-23.3)	40380 (11823)	38560 (11290)	36760 (10763)	34950 (10233)	33130 (9700)	31300 (9165)						
	-15 (-26.1)	35930 (10520)	34300 (10043)	32680 (9569)	31060 (9094)	29440 (8620)	27810 (8143)						
	-20 (-28.9)	31760 (9299)	30290 (8869)	28840 (8444)	27390 (8020)	25950 (7598)	24510 (7177)						
	-25 (-31.7)	27880 (8163)	26540 (7771)	25230 (7387)	23940 (7010)	22660 (6635)	21380 (6260)						
	-30 (-34.4)	24270 (7106)	23050 (6749)	21860 (6401)	20700 (6061)	19560 (5727)	18420 (5393)						
	-35 (-37.2)	20920 (6125)	19800 (5797)	18710 (5478)	17660 (5171)	16630 (4869)	15620 (4574)						
-40 (-40.0)	17830 (5221)	16790 (4916)	15780 (4620)	14820 (4339)	13880 (4064)	12960 (3795)							

table continues on next page >>>

CAPACITY DATA - R404A R507
LOW TEMPERATURE (cont'd)

MODEL BES	SATURATED SUC-TION TEMPERATURE		CAPACITY BTU/H (WATTS) R404A R507						AMBIENT TEMPERATURE °F (°C)	
	° F	° C	85 (29.4)	90 (32.2)	95 (35.0)	100 (37.8)	105 (40.6)	110 (43.3)		
BESA061L6 Compressor Model 3DA3F28KE	0 (-17.8)		54630 (15996)	52300 (15313)	49990 (14637)	47670 (13958)	45330 (13273)	42960 (12579)		
	-5 (-20.6)		49260 (14423)	47180 (13814)	45110 (13208)	43040 (12602)	40930 (11984)	38780 (11355)		
	-10 (-23.3)		44170 (12933)	42320 (12391)	40480 (11853)	38620 (11308)	36730 (10755)	34780 (10184)		
	-15 (-26.1)		39380 (11530)	37740 (11050)	36100 (10570)	34430 (10081)	32720 (9580)	30960 (9065)		
	-20 (-28.9)		34900 (10219)	33440 (9791)	31980 (9364)	30480 (8925)	28940 (8474)	27320 (7999)		
	-25 (-31.7)		30750 (9004)	29450 (8623)	28140 (8239)	26790 (7844)	25370 (7428)	23880 (6992)		
	-30 (-34.4)		26940 (7888)	25770 (7545)	24580 (7197)	23340 (6834)	22030 (6450)	20640 (6043)		
	-35 (-37.2)		23470 (6872)	22410 (6562)	21310 (6240)	20160 (5903)	18930 (5543)	17600 (5153)		
-40 (-40.0)		20360 (5961)	19370 (5672)	18330 (5367)	17230 (5045)	16040 (4697)	14760 (4322)			
BESA075L6 Compressor Model 3DB3F33KE	0 (-17.8)		62460 (18288)	59770 (17501)	57110 (16722)	54480 (15952)	51870 (15188)	---	---	
	-5 (-20.6)		56450 (16529)	54060 (15829)	51690 (15135)	49340 (14447)	47010 (13765)	---	---	
	-10 (-23.3)		50770 (14865)	48660 (14248)	46550 (13630)	44460 (13018)	42380 (12409)	40300 (11800)		
	-15 (-26.1)		45440 (13305)	43560 (12754)	41700 (12210)	39830 (11662)	37960 (11115)	36090 (10567)		
	-20 (-28.9)		40440 (11841)	38780 (11355)	37120 (10869)	35450 (10380)	33760 (9885)	32070 (9390)		
	-25 (-31.7)		35780 (10476)	34300 (10043)	32810 (9607)	31300 (9165)	29760 (8714)	28210 (8260)		
	-30 (-34.4)		31450 (9209)	30120 (8819)	28760 (8421)	27370 (8014)	25950 (7598)	24500 (7174)		
	-35 (-37.2)		27430 (8032)	26210 (7674)	24950 (7305)	23650 (6925)	22300 (6529)	20920 (6125)		
-40 (-40.0)		23720 (6945)	22560 (6606)	21360 (6254)	20100 (5885)	18800 (5505)	17440 (5106)			
BESA090L6 Compressor Model 3DF3F40KE	0 (-17.8)		79100 (23183)	75800 (22216)	72600 (21278)	69400 (20340)	66200 (19402)	63000 (18464)		
	-5 (-20.6)		71200 (20868)	68300 (20018)	65400 (19168)	62500 (18318)	59600 (17468)	56700 (16618)		
	-10 (-23.3)		63700 (18669)	61100 (17907)	58500 (17145)	56000 (16413)	53400 (15651)	50800 (14889)		
	-15 (-26.1)		56700 (16618)	54400 (15944)	52200 (15299)	49900 (14625)	47600 (13951)	45300 (13277)		
	-20 (-28.9)		50300 (14742)	48200 (14127)	46200 (13540)	44100 (12925)	42100 (12339)	40000 (11723)		
	-25 (-31.7)		44300 (12984)	42400 (12427)	40600 (11899)	38800 (11372)	37000 (10844)	35100 (10287)		
	-30 (-34.4)		38700 (11342)	37100 (10873)	35500 (10404)	33800 (9906)	32200 (9437)	30500 (8939)		
	-35 (-37.2)		33700 (9877)	32200 (9437)	30700 (8998)	29200 (8558)	27700 (8118)	26100 (7649)		
-40 (-40.0)		29100 (8529)	27700 (8118)	26400 (7737)	24900 (7298)	23500 (6887)	22100 (6477)			
BESA100L6 Compressor Model 3DSF46KE	0 (-17.8)		86100 (25234)	82500 (24179)	78800 (23095)	75200 (22040)	71600 (20985)	68000 (19930)		
	-5 (-20.6)		78000 (22860)	74800 (21923)	71500 (20955)	68200 (19988)	64900 (19021)	61700 (18083)		
	-10 (-23.3)		70300 (20604)	67400 (19754)	64500 (18904)	61500 (18025)	58500 (17145)	55600 (16295)		
	-15 (-26.1)		63000 (18464)	60400 (17702)	57800 (16940)	55100 (16149)	52400 (15358)	49800 (14596)		
	-20 (-28.9)		56200 (16471)	53800 (15768)	51400 (15064)	49000 (14361)	46600 (13658)	44200 (12954)		
	-25 (-31.7)		49700 (14566)	47600 (13951)	45400 (13306)	43200 (12661)	41000 (12016)	38900 (11401)		
	-30 (-34.4)		43600 (12778)	41800 (12251)	39800 (11665)	37800 (11079)	35800 (10492)	33800 (9906)		
	-35 (-37.2)		38100 (11166)	36400 (10668)	34600 (10141)	32800 (9613)	30900 (9056)	29000 (8499)		
-40 (-40.0)		33000 (9672)	31400 (9203)	29700 (8705)	28000 (8206)	26300 (7708)	24500 (7181)			
BESA130L6 Compressor Model 4DBNF54KE	0 (-17.8)		102500 (30040)	98100 (28750)	93800 (27490)	89500 (26230)	85200 (24970)	80800 (23680)		
	-5 (-20.6)		91900 (26930)	88000 (25790)	84200 (24680)	80400 (23560)	76600 (22450)	72700 (21310)		
	-10 (-23.3)		82300 (24120)	78900 (23120)	75500 (22130)	72100 (21130)	68700 (20130)	65200 (19110)		
	-15 (-26.1)		73500 (21540)	70400 (20630)	67400 (19750)	64400 (18870)	61300 (17970)	58100 (17030)		
	-20 (-28.9)		65400 (19170)	62700 (18380)	60000 (17580)	57200 (16760)	54400 (15940)	51400 (15060)		
	-25 (-31.7)		57900 (16970)	55500 (16270)	53000 (15530)	50400 (14770)	47800 (14010)	45000 (13190)		
	-30 (-34.4)		50900 (14920)	48600 (14240)	46300 (13570)	43900 (12870)	41400 (12130)	38700 (11340)		
	-35 (-37.2)		44200 (12950)	42000 (12310)	39800 (11660)	37400 (10960)	34900 (10230)	32300 (9470)		
-40 (-40.0)		37700 (11050)	35500 (10400)	33300 (9760)	30900 (9060)	28400 (8320)	25700 (7530)			
BESA150L6 Compressor Model 4DHNF63KE	0 (-17.8)		118300 (34670)	113000 (33120)	107700 (31560)	102700 (30100)	97800 (28660)	93100 (27280)		
	-5 (-20.6)		107200 (31420)	102200 (29950)	97400 (28550)	92700 (27170)	88200 (25850)	83900 (24590)		
	-10 (-23.3)		96800 (28370)	92200 (27020)	87700 (25700)	83400 (24440)	79300 (23240)	75400 (22100)		
	-15 (-26.1)		87100 (25530)	82800 (24270)	78700 (23060)	74800 (21920)	71000 (20810)	67400 (19750)		
	-20 (-28.9)		78000 (22860)	74100 (21720)	70300 (20600)	66700 (19550)	63200 (18520)	59900 (17550)		
	-25 (-31.7)		69400 (20340)	65800 (19280)	62300 (18260)	58900 (17260)	55800 (16350)	52800 (15470)		
	-30 (-34.4)		61200 (17940)	57800 (16940)	54600 (16000)	51500 (15090)	48600 (14240)	45900 (13450)		
	-35 (-37.2)		53200 (15590)	50100 (14680)	47100 (13800)	44300 (12980)	41600 (12190)	39100 (11460)		
-40 (-40.0)		45500 (13330)	42600 (12480)	39800 (11660)	37100 (10870)	34700 (10170)	32300 (9470)			
BESA220L6 Compressor Model 4DJNF76KE	0 (-17.8)		136300 (39936)	130000 (38090)	124000 (36332)	118200 (34633)	112600 (32992)	107300 (31439)		
	-5 (-20.6)		124400 (36449)	118600 (34750)	113100 (33138)	107700 (31556)	102600 (30062)	97600 (28597)		
	-10 (-23.3)		113000 (33109)	107700 (31556)	102700 (30091)	97700 (28626)	92900 (27220)	88200 (25843)		
	-15 (-26.1)		102100 (29915)	97300 (28509)	92600 (27132)	88100 (25813)	83600 (24495)	79200 (23206)		
	-20 (-28.9)		91600 (26839)	87300 (25579)	83000 (24319)	78800 (23088)	74700 (21887)	70500 (20657)		
	-25 (-31.7)		81600 (23909)	77700 (22766)	73800 (21623)	69900 (20481)	66000 (19338)	62000 (18166)		
	-30 (-34.4)		71900 (21067)	68400 (20041)	64800 (18986)	61200 (17932)	57500 (16848)	53700 (15734)		
	-35 (-37.2)		62600 (18342)	59400 (17404)	56100 (16437)	52700 (15441)	49100 (14386)	45500 (13332)		
-40 (-40.0)		53500 (15676)	50600 (14826)	47500 (13918)	44300 (12980)	40900 (11984)	37300 (10929)			

--- Outside Operating Range

CAPACITY DATA - **R22** HIGH / MEDIUM TEMPERATURE

MODEL BES	SATURATED SUCTION TEMPERATURE F° (C°)	CAPACITY BTU/H (WATTS) R22 AMBIENT TEMPERATURE °F (°C)							
		85 (29.4)	90 (32.2)	95 (35.0)	100 (37.8)	105 (40.6)	110 (43.3)		
BESA008H2 Compressor Model KAN2-0075	45 (7.2)	11200 (2137)	10800 (2055)	10400 (1975)	9950 (1896)	9550 (1817)	9150 (1738)		
	40 (4.4)	10200 (1934)	9810 (1858)	9420 (1785)	9050 (1712)	8680 (1641)	8310 (1571)		
	35 (1.7)	9240 (1741)	8890 (1674)	8550 (1606)	8210 (1539)	7870 (1477)	7530 (1410)		
	30 (-1.1)	8340 (1565)	8020 (1501)	7700 (1439)	7400 (1380)	7090 (1322)	6790 (1263)		
	25 (-3.9)	7500 (1395)	7210 (1339)	6920 (1287)	6640 (1231)	6360 (1178)	6080 (1125)		
	20 (-6.7)	6710 (1240)	6440 (1190)	6180 (1140)	5920 (1093)	5680 (1043)	5420 (999)		
	15 (-9.4)	5960 (1099)	5730 (1052)	5490 (1011)	5260 (967)	5030 (923)	4800 (882)		
	10 (-12.2)	5280 (973)	5070 (929)	4850 (891)	4650 (850)	4440 (815)	4220 (777)		
	5 (-15)	4660 (853)	4460 (818)	4260 (785)	4080 (747)	3890 (715)	3700 (683)		
0 (-17.8)	4090 (750)	3910 (721)	3740 (689)	3560 (659)	3390 (627)	3210 (598)			
BESA010H2 Compressor Model KAR2-0100	45 (7.2)	15000 (2137)	14500 (2055)	14000 (1975)	13400 (1896)	12900 (1817)	12400 (1738)		
	40 (4.4)	13800 (1934)	13300 (1858)	12800 (1785)	12300 (1712)	11800 (1641)	11300 (1571)		
	35 (1.7)	12600 (1741)	12100 (1674)	11700 (1606)	11200 (1539)	10800 (1477)	10300 (1410)		
	30 (-1.1)	11400 (1565)	11000 (1501)	10600 (1439)	10200 (1380)	9740 (1322)	9330 (1263)		
	25 (-3.9)	10300 (1395)	9920 (1339)	9530 (1287)	9150 (1231)	8780 (1178)	8390 (1125)		
	20 (-6.7)	9250 (1240)	8900 (1190)	8550 (1140)	8200 (1093)	7860 (1043)	7510 (999)		
	15 (-9.4)	8270 (1099)	7950 (1052)	7630 (1011)	7310 (967)	6990 (923)	6670 (882)		
	10 (-12.2)	7350 (973)	7070 (929)	6780 (891)	6480 (850)	6190 (815)	5900 (777)		
	5 (-15)	6520 (853)	6250 (818)	5980 (785)	5720 (747)	5450 (715)	5180 (683)		
0 (-17.8)	5760 (750)	5510 (721)	5270 (689)	5030 (659)	4780 (627)	4530 (598)			
BESA015H2 Compressor Model KAGB-0150	45 (7.2)	19500 (2137)	18900 (2055)	18200 (1975)	17600 (1896)	17000 (1817)	16400 (1738)		
	40 (4.4)	17700 (1934)	17100 (1858)	16500 (1785)	15900 (1712)	15400 (1641)	14800 (1571)		
	35 (1.7)	16100 (1741)	15500 (1674)	14900 (1606)	14400 (1539)	13800 (1477)	13300 (1410)		
	30 (-1.1)	14500 (1565)	13900 (1501)	13400 (1439)	12900 (1380)	12400 (1322)	11900 (1263)		
	25 (-3.9)	12900 (1395)	12500 (1339)	12000 (1287)	11500 (1231)	11000 (1178)	10500 (1125)		
	20 (-6.7)	11500 (1240)	11100 (1190)	10600 (1140)	10200 (1093)	9750 (1043)	9330 (999)		
	15 (-9.4)	10200 (1099)	9820 (1052)	9400 (1011)	9000 (967)	8610 (923)	8220 (882)		
	10 (-12.2)	9040 (973)	8670 (929)	8300 (891)	7940 (850)	7580 (815)	7240 (777)		
	5 (-15)	8000 (853)	7660 (818)	7330 (785)	7010 (747)	6700 (715)	6390 (683)		
0 (-17.8)	7090 (750)	6800 (721)	6510 (689)	6220 (659)	5940 (627)	5680 (598)			
BESA020H2 Compressor Model KAKB-0200	45 (7.2)	26200 (2137)	25300 (2055)	24500 (1975)	23700 (1896)	22900 (1817)	22000 (1738)		
	40 (4.4)	23900 (1934)	23100 (1858)	22400 (1785)	21600 (1712)	20800 (1641)	20100 (1571)		
	35 (1.7)	21700 (1741)	21000 (1674)	20300 (1606)	19600 (1539)	18900 (1477)	18200 (1410)		
	30 (-1.1)	19600 (1565)	19000 (1501)	18400 (1439)	17800 (1380)	17100 (1322)	16500 (1263)		
	25 (-3.9)	17700 (1395)	17200 (1339)	16600 (1287)	16000 (1231)	15400 (1178)	14800 (1125)		
	20 (-6.7)	15900 (1240)	15400 (1190)	14900 (1140)	14400 (1093)	13800 (1043)	13300 (999)		
	15 (-9.4)	14200 (1099)	13800 (1052)	13300 (1011)	12800 (967)	12300 (923)	11800 (882)		
	10 (-12.2)	12600 (973)	12200 (929)	11700 (891)	11300 (850)	10900 (815)	10400 (777)		
	5 (-15)	11100 (853)	10700 (818)	10300 (785)	9880 (747)	9480 (715)	9060 (683)		
0 (-17.8)	9660 (750)	9270 (721)	8890 (689)	8510 (659)	8130 (627)	7750 (598)			
BESA030H2 Compressor Model ERF1-0310	45 (7.2)	43230 (12658)	41720 (12216)	40180 (11765)	38610 (11305)	---	---	---	---
	40 (4.4)	39460 (11554)	38070 (11147)	36650 (10731)	35200 (10307)	33730 (9876)	---	---	---
	35 (1.7)	35880 (10506)	34600 (10131)	33290 (9747)	31960 (9358)	30610 (8963)	29220 (8556)		
	30 (-1.1)	32490 (9513)	31310 (9168)	30110 (8816)	28890 (8459)	27650 (8096)	26390 (7727)		
	25 (-3.9)	29290 (8576)	28210 (8260)	27110 (7938)	26000 (7613)	24860 (7279)	23720 (6945)		
	20 (-6.7)	26290 (7698)	25290 (7405)	24290 (7112)	23270 (6813)	22250 (6515)	21210 (6210)		
	15 (-9.4)	23480 (6875)	22570 (6608)	21650 (6339)	20730 (6070)	19800 (5797)	18860 (5522)		
	10 (-12.2)	20870 (6111)	20030 (5865)	19190 (5619)	18360 (5376)	17520 (5130)	16680 (4884)		
	5 (-15.0)	18450 (5402)	17680 (5177)	16920 (4954)	16160 (4732)	15410 (4512)	14650 (4290)		

--- Outside Operating Range

table continues on next page >>>

CAPACITY DATA - **R22** HIGH / MEDIUM TEMPERATURE (cont'd)

MODEL BES	SATURATED SUCTION TEMPERATURE		CAPACITY BTU/H (WATTS) R22 AMBIENT TEMPERATURE °F (°C)											
	° F	° C	85 (29.4)	90 (32.2)	95 (35.0)	100 (37.8)	105 (40.6)	110 (43.3)						
BESA050H8 Compressor Model 2DC3R53KE	45 (7.2)		71050 (20803)	68710 (20118)	66370 (19433)	64030 (18748)	61690 (18063)	59350 (17378)						
	40 (4.4)		64680 (18938)	62510 (18303)	60330 (17665)	58160 (17029)	56000 (16397)	53830 (15761)						
	35 (1.7)		58670 (17179)	56660 (16590)	54650 (16002)	52640 (15413)	50630 (14824)	48630 (14239)						
	30 (-1.1)		53030 (15527)	51160 (14980)	49300 (14435)	47440 (13890)	45580 (13346)	43720 (12801)						
	25 (-3.9)		47730 (13975)	46000 (13469)	44280 (12965)	42550 (12459)	40830 (11955)	39110 (11451)						
	20 (-6.7)		42770 (12523)	41160 (12052)	39560 (11583)	37960 (11115)	36360 (10646)	34770 (10181)						
	15 (-9.4)		38120 (11162)	36630 (10725)	35140 (10289)	33650 (9853)	32160 (9416)	30680 (8983)						
	10 (-12.2)		33770 (9888)	32380 (9481)	30990 (9074)	29600 (8667)	28210 (8260)	26830 (7856)						
5 (-15.0)		29710 (8699)	28400 (8316)	27090 (7932)	25790 (7551)	24490 (7171)	23190 (6790)							
BESA051H8 Compressor Model 2DD3R63KE	45 (7.2)		80180 (23477)	77560 (22710)	74930 (21940)	72320 (21175)	69690 (20405)	67070 (19638)						
	40 (4.4)		73200 (21433)	70770 (20721)	68350 (20013)	65920 (19301)	63500 (18593)	61080 (17884)						
	35 (1.7)		66590 (19498)	64350 (18842)	62110 (18186)	59870 (17530)	57640 (16877)	55400 (16221)						
	30 (-1.1)		60350 (17670)	58280 (17064)	56210 (16458)	54150 (15855)	52090 (15252)	50040 (14652)						
	25 (-3.9)		54470 (15949)	52560 (15390)	50650 (14830)	48750 (14274)	46850 (13718)	44960 (13164)						
	20 (-6.7)		48940 (14330)	47180 (13814)	45410 (13296)	43650 (12781)	41900 (12268)	40160 (11759)						
	15 (-9.4)		43750 (12810)	42110 (12330)	40480 (11853)	38850 (11375)	37240 (10904)	35620 (10430)						
	10 (-12.2)		38880 (11384)	37350 (10936)	35840 (10494)	34330 (10052)	32830 (9613)	31340 (9176)						
5 (-15.0)		34310 (10046)	32890 (9630)	31470 (9214)	30060 (8802)	28670 (8395)	27280 (7988)							
BESA075H8 Compressor Model 2DL3R78KE	45 (7.2)		96090 (28135)	93020 (27236)	89940 (26334)	86840 (25427)	83730 (24516)	-						
	40 (4.4)		88070 (25787)	85240 (24958)	82390 (24124)	79530 (23286)	76650 (22443)	73770 (21600)						
	35 (1.7)		80460 (23559)	77860 (22797)	75230 (22027)	72590 (21254)	69940 (20478)	67280 (19700)						
	30 (-1.1)		73260 (21451)	70860 (20748)	68440 (20039)	66010 (19328)	63580 (18616)	61140 (17902)						
	25 (-3.9)		66430 (19451)	64230 (18807)	62010 (18157)	59780 (17504)	57540 (16848)	55310 (16195)						
	20 (-6.7)		59970 (17559)	57950 (16968)	55910 (16370)	53870 (15773)	51820 (15173)	49770 (14573)						
	15 (-9.4)		53850 (15767)	51990 (15223)	50120 (14675)	48250 (14128)	46380 (13580)	44510 (13033)						
	10 (-12.2)		48040 (14066)	46330 (13565)	44620 (13065)	42900 (12561)	41190 (12060)	39480 (11560)						
5 (-15.0)		42510 (12447)	40940 (11987)	39370 (11528)	37790 (11065)	36220 (10605)	34660 (10148)							
BESA077H8 Compressor Model 2DA3R89KE	45 (7.2)		112000 (32820)	108200 (31710)	104600 (30660)	100800 (29540)	97100 (28460)	93300 (27340)						
	40 (4.4)		102400 (30010)	98900 (28980)	95500 (27990)	92000 (26960)	88500 (25940)	85100 (24940)						
	35 (1.7)		93300 (27340)	90100 (26410)	86900 (25470)	83700 (24530)	80500 (23590)	77300 (22650)						
	30 (-1.1)		84800 (24850)	81800 (23970)	78800 (23090)	75900 (22240)	72900 (21360)	70000 (20510)						
	25 (-3.9)		76700 (22480)	74000 (21690)	71200 (20870)	68400 (20050)	65800 (19280)	63000 (18460)						
	20 (-6.7)		69200 (20280)	66600 (19520)	64100 (18790)	61600 (18050)	59100 (17320)	56500 (16560)						
	15 (-9.4)		62000 (18170)	59800 (17530)	57400 (16820)	55100 (16150)	52700 (15440)	50400 (14770)						
	10 (-12.2)		55500 (16270)	53300 (15620)	51200 (15010)	49100 (14390)	46900 (13740)	44700 (13100)						
5 (-15.0)		49300 (14450)	47300 (13860)	45400 (13310)	43400 (12720)	41400 (12130)	39400 (11550)							
BESA080H8 Compressor Model 3DA3R10ME	45 (7.2)		132600 (38863)	128500 (37661)	124500 (36489)	120500 (35317)	116600 (34174)	112800 (33060)						
	40 (4.4)		121700 (35668)	117900 (34555)	114200 (33470)	110500 (32386)	106900 (31331)	103400 (30305)						
	35 (1.7)		111300 (32620)	107900 (31624)	104400 (30598)	101100 (29631)	97700 (28634)	94400 (27667)						
	30 (-1.1)		101500 (29748)	98300 (28810)	95200 (27902)	92100 (26993)	89000 (26084)	86000 (25205)						
	25 (-3.9)		92300 (27052)	89400 (26202)	86500 (25352)	83600 (24502)	80800 (23681)	78000 (22860)						
	20 (-6.7)		83500 (24472)	80900 (23710)	78200 (22919)	75600 (22157)	73000 (21395)	70400 (20633)						
	15 (-9.4)		75400 (22098)	72900 (21366)	70500 (20662)	68100 (19959)	65700 (19256)	63300 (18552)						
	10 (-12.2)		67700 (19842)	65500 (19197)	63200 (18523)	61000 (17878)	58800 (17233)	56700 (16618)						
5 (-15.0)		60600 (17761)	58500 (17145)	56500 (16559)	54400 (15944)	52400 (15358)	50400 (14771)							

table continues on next page >>>

CAPACITY DATA - R22
HIGH / MEDIUM TEMPERATURE (cont'd)

MODEL BES	SATURATED SUCTION TEMPERATURE		CAPACITY BTU/H (WATTS) R22 AMBIENT TEMPERATURE °F (°C)					
	° F	° C	85 (29.4)	90 (32.2)	95 (35.0)	100 (37.8)	105 (40.6)	110 (43.3)
BESA100H8 Compressor Model 3DB3R12ME	45 (7.2)		152000 (44549)	147400 (43200)	142800 (41852)	138200 (40504)	133600 (39156)	128900 (37778)
	40 (4.4)		139900 (41002)	135700 (39771)	131400 (38511)	127200 (37280)	122900 (36020)	118600 (34760)
	35 (1.7)		128400 (37632)	124500 (36489)	120600 (35346)	116700 (34203)	112700 (33030)	108700 (31858)
	30 (-1.1)		117500 (34437)	113900 (33382)	110300 (32327)	106700 (31272)	103100 (30217)	99400 (29132)
	25 (-3.9)		107200 (31419)	103900 (30451)	100600 (29484)	97300 (28517)	94000 (27550)	90600 (26553)
	20 (-6.7)		97400 (28546)	94400 (27667)	91400 (26788)	88400 (25909)	85300 (25000)	82300 (24121)
	15 (-9.4)		88300 (25879)	85500 (25059)	82800 (24267)	80000 (23447)	77200 (22626)	74400 (21805)
	10 (-12.2)		79700 (23359)	77200 (22626)	74700 (21893)	72100 (21131)	69600 (20399)	67000 (19637)
5 (-15.0)		71600 (20985)	69300 (20311)	67000 (19637)	64700 (18962)	62400 (18288)	60000 (17585)	
BESA120H8 Compressor Model 3DF3R15ME	45 (7.2)		185600 (54381)	179900 (52711)	174300 (51070)	168600 (49400)	163000 (47759)	157400 (46118)
	40 (4.4)		170600 (49986)	165400 (48462)	160100 (46909)	154900 (45386)	149700 (43862)	144600 (42368)
	35 (1.7)		156200 (45767)	151400 (44360)	146600 (42954)	141800 (41547)	137000 (40141)	132200 (38735)
	30 (-1.1)		142500 (41753)	138100 (40463)	133600 (39145)	129200 (37856)	124800 (36566)	120500 (35307)
	25 (-3.9)		129400 (37914)	125400 (36742)	121400 (35570)	117300 (34369)	113300 (33197)	109300 (32025)
	20 (-6.7)		117100 (34310)	113400 (33226)	109800 (32171)	106100 (31087)	102400 (30003)	98800 (28948)
	15 (-9.4)		105400 (30882)	102200 (29945)	98900 (28978)	95600 (28011)	92200 (27015)	88900 (26048)
	10 (-12.2)		94600 (27718)	91700 (26868)	88700 (25989)	85700 (25110)	82700 (24231)	79800 (23381)
5 (-15.0)		84600 (24788)	82000 (24026)	79300 (23235)	76600 (22444)	74000 (21682)	71300 (20891)	
BESA150H8 Compressor Model 3DS3R17ME	45 (7.2)		205700 (60270)	199400 (58424)	193200 (56608)	187000 (54791)	180900 (53004)	175000 (51275)
	40 (4.4)		189100 (55406)	183300 (53707)	177600 (52037)	172000 (50396)	166500 (48785)	161000 (47173)
	35 (1.7)		173400 (50806)	168100 (49253)	162900 (47730)	157800 (46235)	152700 (44741)	147800 (43305)
	30 (-1.1)		158400 (46411)	153600 (45005)	148900 (43628)	144300 (42280)	139700 (40932)	135300 (39643)
	25 (-3.9)		144300 (42280)	139900 (40991)	135700 (39760)	131500 (38530)	127400 (37328)	123500 (36186)
	20 (-6.7)		131000 (38383)	127000 (37211)	123200 (36098)	119500 (35014)	115800 (33929)	112300 (32904)
	15 (-9.4)		118400 (34691)	114900 (33666)	111400 (32640)	108100 (31673)	104800 (30706)	101700 (29798)
	10 (-12.2)		106600 (31234)	103400 (30296)	100300 (29388)	97400 (28538)	94500 (27689)	91700 (26868)
5 (-15.0)		95600 (28011)	92700 (27161)	89900 (26341)	87200 (25550)	84700 (24817)	82300 (24114)	

CAPACITY DATA - R22
MEDIUM TEMPERATURE

MODEL BES	SATURATED SUCTION TEMPERATURE		CAPACITY BTU/H (WATTS) R22 AMBIENT TEMPERATURE °F (°C)							
	° F	° C	85 (29.4)	90 (32.2)	95 (35.0)	100 (37.8)	105 (40.6)	110 (43.3)		
BESA008M2 Compressor Model KAE2-0075	25 (-3.9)		8140 (2386)	7850 (2301)	7560 (2216)	7260 (2128)	6960 (2040)	6660 (1952)		
	20 (-6.7)		7300 (2140)	7030 (2060)	6760 (1981)	6490 (1902)	6220 (1823)	5940 (1741)		
	15 (-9.4)		6540 (1917)	6290 (1843)	6050 (1773)	5800 (1700)	5540 (1624)	5290 (1550)		
	10 (-12.2)		5850 (1715)	5620 (1647)	5400 (1583)	5170 (1515)	4940 (1448)	4710 (1380)		
	5 (-15)		5210 (1527)	5010 (1468)	4800 (1407)	4590 (1345)	4390 (1287)	4180 (1225)		
	0 (-17.8)		4600 (1348)	4420 (1295)	4230 (1240)	4060 (1190)	3870 (1134)	3690 (1081)		
BESA010M2 Compressor Model KAM2-0100	-5 (-20.6)		4030 (1181)	3860 (1131)	3700 (1084)	3540 (1038)	3380 (991)	3210 (941)		
	30 (-1.1)		12700 (3722)	12200 (3576)	11700 (3429)	11300 (3312)	10800 (3165)	10300 (3019)		
	25 (-3.9)		11500 (3370)	11000 (3224)	10600 (3107)	10100 (2960)	9700 (2843)	9280 (2720)		
	20 (-6.7)		10300 (3019)	9890 (2899)	9480 (2778)	9070 (2658)	8680 (2544)	8290 (2430)		
	15 (-9.4)		9190 (2693)	8820 (2585)	8450 (2477)	8080 (2368)	7710 (2260)	7360 (2157)		
	10 (-12.2)		8150 (2389)	7810 (2289)	7480 (2192)	7140 (2093)	6810 (1996)	6490 (1902)		
BESA021M2 Compressor Model ERC1-0200	5 (-15)		7150 (2096)	6860 (2011)	6560 (1923)	6250 (1832)	5960 (1747)	5680 (1665)		
	0 (-17.8)		6210 (1820)	5950 (1744)	5690 (1668)	5420 (1589)	5160 (1512)	4900 (1436)		
	25 (-3.9)		19800 (5803)	19000 (5569)	18300 (5363)	17500 (5129)	16700 (4894)	16000 (4689)		
	20 (-6.7)		17600 (5158)	16900 (4953)	16200 (4748)	15500 (4543)	14900 (4367)	14200 (4162)		
	15 (-9.4)		15500 (4543)	14900 (4367)	14300 (4191)	13700 (4015)	13100 (3839)	12500 (3664)		
	10 (-12.2)		13600 (3986)	13100 (3839)	12600 (3693)	12000 (3517)	11500 (3370)	11000 (3224)		
ERC1-0200	5 (-15)		11900 (3488)	11500 (3370)	11000 (3224)	10500 (3077)	10000 (2931)	9570 (2805)		
	0 (-17.8)		10400 (3048)	10000 (2931)	9570 (2805)	9150 (2682)	8710 (2553)	8290 (2430)		
	-5 (-20.6)		9080 (2661)	8700 (2550)	8310 (2436)	7920 (2321)	7530 (2207)	7140 (2093)		

MODEL BES	SATURATED SUCTION TEMPERATURE		CAPACITY BTU/H (WATTS) R407A AMBIENT TEMPERATURE °F (°C)							
	°F	°C	85 (29.4)	90 (32.2)	95 (35.0)	100 (37.8)	105 (40.6)	110 (43.3)		
BESB010H8 Compressor Model 2KES-05	40 (4.4)	14700 (4310)	14100 (4130)	13400 (3930)	12900 (3780)	12300 (3600)	11700 (3430)			
	35 (1.7)	13300 (3900)	12800 (3750)	12200 (3580)	11700 (3430)	11100 (3250)	10500 (3080)			
	30 (-1.1)	12100 (3550)	11600 (3400)	11000 (3220)	10500 (3080)	10000 (2930)	9480 (2780)			
	25 (-3.9)	10800 (3170)	10400 (3050)	9910 (2900)	9440 (2770)	8970 (2630)	8490 (2490)			
	20 (-6.7)	9730 (2850)	9300 (2730)	8870 (2600)	8430 (2470)	7990 (2340)	7560 (2220)			
	15 (-9.4)	8690 (2550)	8280 (2430)	7900 (2320)	7500 (2200)	7100 (2080)	6710 (1970)			
	10 (-12.2)	7720 (2260)	7360 (2160)	6990 (2050)	6630 (1940)	6270 (1840)	5900 (1730)			
	5 (-15.0)	6830 (2000)	6490 (1900)	6160 (1810)	5830 (1710)	5490 (1610)	5170 (1520)			
0 (-17.8)	5990 (1760)	5680 (1660)	5380 (1580)	5070 (1490)	4790 (1400)	4480 (1310)				
BESB015H8 Compressor Model 2JES-07	40 (4.4)	20000 (5860)	19200 (5630)	18400 (5390)	17600 (5160)	16800 (4920)	16100 (4720)			
	35 (1.7)	18200 (5330)	17400 (5100)	16700 (4890)	16000 (4690)	15200 (4450)	14500 (4250)			
	30 (-1.1)	16400 (4810)	15800 (4630)	15100 (4430)	14400 (4220)	13800 (4040)	13100 (3840)			
	25 (-3.9)	14800 (4340)	14200 (4160)	13500 (3960)	12900 (3780)	12400 (3630)	11800 (3460)			
	20 (-6.7)	13200 (3870)	12700 (3720)	12200 (3580)	11600 (3400)	11000 (3220)	10500 (3080)			
	15 (-9.4)	11900 (3490)	11300 (3310)	10800 (3170)	10300 (3020)	9840 (2880)	9320 (2730)			
	10 (-12.2)	10600 (3110)	10100 (2960)	9640 (2830)	9180 (2690)	8720 (2560)	8250 (2420)			
	5 (-15.0)	9360 (2740)	8950 (2620)	8530 (2500)	8110 (2380)	7690 (2250)	7280 (2130)			
0 (-17.8)	8240 (2410)	7880 (2310)	7490 (2200)	7110 (2080)	6740 (1980)	6360 (1860)				
BESB020H8 Compressor Model 2HES-2	40 (4.4)	24200 (7090)	23200 (6800)	22300 (6540)	21300 (6240)	20500 (6010)	19500 (5710)			
	35 (1.7)	22100 (6480)	21200 (6210)	20300 (5950)	19400 (5690)	18600 (5450)	17700 (5190)			
	30 (-1.1)	20100 (5890)	19200 (5630)	18500 (5420)	17600 (5160)	16800 (4920)	16100 (4720)			
	25 (-3.9)	18200 (5330)	17400 (5100)	16700 (4890)	16000 (4690)	15200 (4450)	14500 (4250)			
	20 (-6.7)	16400 (4810)	15600 (4570)	15000 (4400)	14300 (4190)	13700 (4020)	13000 (3810)			
	15 (-9.4)	14700 (4310)	14100 (4130)	13400 (3930)	12800 (3750)	12200 (3580)	11600 (3400)			
	10 (-12.2)	13100 (3840)	12600 (3690)	12000 (3520)	11400 (3340)	10900 (3190)	10300 (3020)			
	5 (-15.0)	11700 (3430)	11100 (3250)	10600 (3110)	10200 (2990)	9650 (2830)	9150 (2680)			
0 (-17.8)	10300 (3020)	9860 (2890)	9420 (2760)	8960 (2630)	8510 (2490)	8050 (2360)				
BESB025H8 Compressor Model 2GES-2	40 (4.4)	28800 (8440)	27600 (8090)	26600 (7800)	25400 (7440)	24400 (7150)	23200 (6800)			
	35 (1.7)	26100 (7650)	25200 (7390)	24200 (7090)	23100 (6770)	22200 (6510)	21100 (6180)			
	30 (-1.1)	23800 (6980)	22900 (6710)	21900 (6420)	21000 (6150)	20100 (5890)	19100 (5600)			
	25 (-3.9)	21500 (6300)	20700 (6070)	19800 (5800)	18900 (5540)	18100 (5300)	17200 (5040)			
	20 (-6.7)	19400 (5690)	18600 (5450)	17900 (5250)	17000 (4980)	16300 (4780)	15400 (4510)			
	15 (-9.4)	17400 (5100)	16700 (4890)	16000 (4690)	15300 (4480)	14600 (4280)	13900 (4070)			
	10 (-12.2)	15600 (4570)	14900 (4370)	14300 (4190)	13700 (4020)	13000 (3810)	12400 (3630)			
	5 (-15.0)	13900 (4070)	13200 (3870)	12700 (3720)	12100 (3550)	11600 (3400)	10900 (3190)			
0 (-17.8)	12300 (3600)	11800 (3460)	11200 (3280)	10700 (3140)	10200 (2990)	9650 (2830)				

NOTES:

- Above ratings are based on mean temperature.
- To convert to dew point ratings, use 0.95 multiplier.

table continues on next page >>>

CAPACITY DATA - **R407A**

HIGH / MEDIUM TEMPERATURE (cont'd)

MODEL	SATURATED SUCTION TEMPERATURE		CAPACITY BTU/H (WATTS) R407A AMBIENT TEMPERATURE °F (°C)									
	° F	° C	85 (29.4)	90 (32.2)	95 (35.0)	100 (37.8)	105 (40.6)	110 (43.3)				
BESB029H8 Compressor Model 2FES-3	40 (4.4)		37900 (11110)	36400 (10670)	35100 (10290)	33600 (9850)	32200 (9440)	30800 (9030)				
	35 (1.7)		34400 (10080)	33100 (9700)	31800 (9320)	30500 (8940)	29200 (8560)	27800 (8150)				
	30 (-1.1)		31200 (9140)	30000 (8790)	28800 (8440)	27600 (8090)	26400 (7740)	25200 (7390)				
	25 (-3.9)		28100 (8240)	27100 (7940)	25900 (7590)	24900 (7300)	23700 (6950)	22700 (6650)				
	20 (-6.7)		25300 (7410)	24400 (7150)	23300 (6830)	22400 (6560)	21300 (6240)	20300 (5950)				
	15 (-9.4)		22700 (6650)	21800 (6390)	20900 (6130)	20000 (5860)	19000 (5570)	18200 (5330)				
	10 (-12.2)		20300 (5950)	19400 (5690)	18600 (5450)	17700 (5190)	17000 (4980)	16200 (4750)				
	5 (-15.0)		18100 (5300)	17300 (5070)	16500 (4840)	15800 (4630)	15000 (4400)	14300 (4190)				
	0 (-17.8)		16000 (4690)	15200 (4450)	14600 (4280)	14000 (4100)	13200 (3870)	12600 (3690)				
BESB030H8 Compressor Model 2EES-3	40 (4.4)		42700 (12510)	41100 (12050)	39400 (11550)	37700 (11050)	36000 (10550)	34300 (10050)				
	35 (1.7)		38900 (11400)	37300 (10930)	35700 (10460)	34100 (9990)	32600 (9550)	31100 (9110)				
	30 (-1.1)		35200 (10320)	33700 (9880)	32200 (9440)	30900 (9060)	29400 (8620)	27900 (8180)				
	25 (-3.9)		31700 (9290)	30300 (8880)	29100 (8530)	27700 (8120)	26400 (7740)	25100 (7360)				
	20 (-6.7)		28500 (8350)	27300 (8000)	26000 (7620)	24800 (7270)	23600 (6920)	22400 (6560)				
	15 (-9.4)		25400 (7440)	24400 (7150)	23200 (6800)	22200 (6510)	21000 (6150)	20000 (5860)				
	10 (-12.2)		22700 (6650)	21600 (6330)	20700 (6070)	19600 (5740)	18600 (5450)	17600 (5160)				
	5 (-15.0)		20100 (5890)	19100 (5600)	18300 (5360)	17300 (5070)	16400 (4810)	15500 (4540)				
	0 (-17.8)		17600 (5160)	16900 (4950)	16100 (4720)	15200 (4450)	14400 (4220)	13500 (3960)				
BESB035H8 Compressor Model 2DES-3	40 (4.4)		51600 (15120)	49600 (14540)	47500 (13920)	45500 (13330)	43500 (12750)	41500 (12160)				
	35 (1.7)		46800 (13720)	44900 (13160)	43100 (12630)	41300 (12100)	39400 (11550)	37600 (11020)				
	30 (-1.1)		42400 (12430)	40600 (11900)	39000 (11430)	37300 (10930)	35500 (10400)	33800 (9910)				
	25 (-3.9)		38200 (11200)	36600 (10730)	35100 (10290)	33500 (9820)	31900 (9350)	30300 (8880)				
	20 (-6.7)		34300 (10050)	32900 (9640)	31500 (9230)	30000 (8790)	28600 (8380)	27200 (7970)				
	15 (-9.4)		30800 (9030)	29400 (8620)	28100 (8240)	26800 (7850)	25500 (7470)	24200 (7090)				
	10 (-12.2)		27400 (8030)	26100 (7650)	25000 (7330)	23800 (6980)	22600 (6620)	21400 (6270)				
	5 (-15.0)		24300 (7120)	23200 (6800)	22200 (6510)	21000 (6150)	20000 (5860)	18900 (5540)				
	0 (-17.8)		21400 (6270)	20500 (6010)	19400 (5690)	18500 (5420)	17500 (5130)	16600 (4860)				
BESB040H8 Compressor Model 2CES-4	40 (4.4)		60800 (17820)	58400 (17120)	56100 (16440)	53800 (15770)	51300 (15030)	49000 (14360)				
	35 (1.7)		55400 (16240)	53200 (15590)	51000 (14950)	48800 (14300)	46700 (13690)	44500 (13040)				
	30 (-1.1)		50400 (14770)	48300 (14160)	46300 (13570)	44300 (12980)	42300 (12400)	40300 (11810)				
	25 (-3.9)		45600 (13360)	43700 (12810)	41900 (12280)	40000 (11720)	38200 (11200)	36300 (10640)				
	20 (-6.7)		41100 (12050)	39400 (11550)	37700 (11050)	36000 (10550)	34300 (10050)	32700 (9580)				
	15 (-9.4)		36900 (10810)	35400 (10370)	33800 (9910)	32200 (9440)	30800 (9030)	29200 (8560)				
	10 (-12.2)		33000 (9670)	31600 (9260)	30200 (8850)	28800 (8440)	27400 (8030)	26000 (7620)				
	5 (-15.0)		29400 (8620)	28100 (8240)	26900 (7880)	25600 (7500)	24400 (7150)	23100 (6770)				
	0 (-17.8)		26000 (7620)	24900 (7300)	23700 (6950)	22600 (6620)	21500 (6300)	20400 (5980)				
BESB050H8 Compressor Model 4FES-5	40 (4.4)		68600 (20100)	65800 (19280)	63100 (18490)	60400 (17700)	57600 (16880)	54900 (16090)				
	35 (1.7)		62200 (18230)	59600 (17470)	57100 (16730)	54600 (16000)	52100 (15270)	49600 (14540)				
	30 (-1.1)		56200 (16470)	53900 (15800)	51600 (15120)	49100 (14390)	46800 (13720)	44500 (13040)				
	25 (-3.9)		50600 (14830)	48400 (14180)	46300 (13570)	44100 (12920)	42000 (12310)	39900 (11690)				
	20 (-6.7)		45400 (13310)	43400 (12720)	41400 (12130)	39500 (11580)	37500 (10990)	35500 (10400)				
	15 (-9.4)		40400 (11840)	38600 (11310)	36900 (10810)	35100 (10290)	33300 (9760)	31500 (9230)				
	10 (-12.2)		35900 (10520)	34300 (10050)	32700 (9580)	31100 (9110)	29500 (8650)	27800 (8150)				
	5 (-15.0)		31800 (9320)	30300 (8880)	28900 (8470)	27400 (8030)	25900 (7590)	24500 (7180)				
	0 (-17.8)		27900 (8180)	26600 (7800)	25300 (7410)	23900 (7000)	22700 (6650)	21300 (6240)				

NOTES:

- Above ratings are based on mean temperature.
- To convert to dew point ratings, use 0.95 multiplier.

table continues on next page >>>

CAPACITY DATA - **R407A**

HIGH / MEDIUM TEMPERATURE (cont'd)

MODEL	SATURATED SUCTION TEMPERATURE		CAPACITY BTU/H (WATTS) R407A AMBIENT TEMPERATURE °F (°C)											
	°F	°C	85 (29.4)	90 (32.2)	95 (35.0)	100 (37.8)	105 (40.6)	110 (43.3)						
BESB060H8 Compressor Model 4EES-6	40 (4.4)		83100 (24350)	79700 (23360)	76400 (22390)	73100 (21420)	69700 (20430)	66500 (19490)						
	35 (1.7)		75600 (22160)	72600 (21280)	69400 (20340)	66400 (19460)	63300 (18550)	60200 (17640)						
	30 (-1.1)		68600 (20100)	65700 (19250)	62800 (18400)	60000 (17580)	57100 (16730)	54300 (15910)						
	25 (-3.9)		62000 (18170)	59300 (17380)	56600 (16590)	54000 (15830)	51500 (15090)	48800 (14300)						
	20 (-6.7)		55700 (16320)	53200 (15590)	50800 (14890)	48400 (14180)	46100 (13510)	43700 (12810)						
	15 (-9.4)		49900 (14620)	47700 (13980)	45500 (13330)	43300 (12690)	41100 (12050)	39000 (11430)						
	10 (-12.2)		44400 (13010)	42400 (12430)	40400 (11840)	38400 (11250)	36400 (10670)	34500 (10110)						
	5 (-15.0)		39500 (11580)	37600 (11020)	35800 (10490)	34000 (9960)	32200 (9440)	30500 (8940)						
0 (-17.8)		34800 (10200)	33200 (9730)	31500 (9230)	29900 (8760)	28200 (8260)	26700 (7820)							
BESB076H8 Compressor Model 4DES-7	40 (4.4)		103400 (30300)	99300 (29100)	95300 (27930)	91400 (26790)	87400 (25610)	83300 (24410)						
	35 (1.7)		93900 (27520)	90200 (26430)	86400 (25320)	82700 (24240)	79000 (23150)	75300 (22070)						
	30 (-1.1)		84900 (24880)	81500 (23890)	78100 (22890)	74700 (21890)	71300 (20900)	67800 (19870)						
	25 (-3.9)		76700 (22480)	73400 (21510)	70200 (20570)	67100 (19660)	64100 (18790)	60900 (17850)						
	20 (-6.7)		68800 (20160)	65900 (19310)	63000 (18460)	60200 (17640)	57300 (16790)	54400 (15940)						
	15 (-9.4)		61500 (18020)	58900 (17260)	56300 (16500)	53700 (15740)	51000 (14950)	48500 (14210)						
	10 (-12.2)		54800 (16060)	52400 (15360)	50100 (14680)	47700 (13980)	45400 (13310)	42900 (12570)						
	5 (-15.0)		48600 (14240)	46400 (13600)	44300 (12980)	42100 (12340)	40000 (11720)	37900 (11110)						
0 (-17.8)		42800 (12540)	41000 (12020)	39000 (11430)	37100 (10870)	35200 (10320)	33300 (9760)							
BESB090H8 Compressor Model 4CES-9	40 (4.4)		122000 (35750)	117300 (34380)	112600 (33000)	107800 (31590)	103100 (30220)	98400 (28840)						
	35 (1.7)		111200 (32590)	106800 (31300)	102400 (30010)	98100 (28750)	93700 (27460)	89400 (26200)						
	30 (-1.1)		101000 (29600)	96900 (28400)	92900 (27230)	88800 (26020)	84800 (24850)	80900 (23710)						
	25 (-3.9)		91400 (26790)	87700 (25700)	83900 (24590)	80200 (23500)	76500 (22420)	72900 (21360)						
	20 (-6.7)		82300 (24120)	79000 (23150)	75600 (22160)	72100 (21130)	68800 (20160)	65400 (19170)						
	15 (-9.4)		73900 (21660)	70900 (20780)	67700 (19840)	64700 (18960)	61600 (18050)	58600 (17170)						
	10 (-12.2)		66000 (19340)	63300 (18550)	60500 (17730)	57600 (16880)	54900 (16090)	52200 (15300)						
	5 (-15.0)		58800 (17230)	56300 (16500)	53800 (15770)	51200 (15010)	48700 (14270)	46300 (13570)						
0 (-17.8)		52100 (15270)	49800 (14590)	47600 (13950)	45300 (13280)	43100 (12630)	40800 (11960)							
BESB100H8 Compressor Model 4VES-10	40 (4.4)		126000 (36930)	120900 (35430)	115700 (33910)	110600 (32410)	105300 (30860)	100200 (29370)						
	35 (1.7)		114800 (33640)	110000 (32240)	105200 (30830)	100500 (29450)	95700 (28050)	90800 (26610)						
	30 (-1.1)		104200 (30540)	99800 (29250)	95300 (27930)	90900 (26640)	86500 (25350)	82100 (24060)						
	25 (-3.9)		94100 (27580)	90100 (26410)	86000 (25200)	81900 (24000)	77900 (22830)	73800 (21630)						
	20 (-6.7)		84600 (24790)	81000 (23740)	77200 (22630)	73500 (21540)	69800 (20460)	66000 (19340)						
	15 (-9.4)		75800 (22210)	72500 (21250)	69000 (20220)	65600 (19230)	62300 (18260)	58900 (17260)						
	10 (-12.2)		67600 (19810)	64500 (18900)	61400 (17990)	58300 (17090)	55200 (16180)	52200 (15300)						
	5 (-15.0)		59900 (17550)	57100 (16730)	54300 (15910)	51600 (15120)	48700 (14270)	46000 (13480)						
0 (-17.8)		52700 (15440)	50200 (14710)	47700 (13980)	45200 (13250)	42600 (12480)	40200 (11780)							
BESB121H8 Compressor Model 4TES-12	40 (4.4)		160300 (46980)	154000 (45130)	147700 (43290)	141400 (41440)	135100 (39590)	128800 (37750)						
	35 (1.7)		145800 (42730)	140000 (41030)	134200 (39330)	128300 (37600)	122500 (35900)	116800 (34230)						
	30 (-1.1)		132100 (38710)	126700 (37130)	121400 (35580)	116000 (34000)	110700 (32440)	105300 (30860)						
	25 (-3.9)		119200 (34930)	114300 (33500)	109400 (32060)	104600 (30660)	99600 (29190)	94800 (27780)						
	20 (-6.7)		107200 (31420)	102700 (30100)	98300 (28810)	93900 (27520)	89400 (26200)	84900 (24880)						
	15 (-9.4)		96000 (28130)	92000 (26960)	87900 (25760)	83900 (24590)	79800 (23390)	75800 (22210)						
	10 (-12.2)		85600 (25090)	81900 (24000)	78200 (22920)	74600 (21860)	71000 (20810)	67300 (19720)						
	5 (-15.0)		75900 (22240)	72700 (21310)	69300 (20310)	66000 (19340)	62800 (18400)	59400 (17410)						
0 (-17.8)		67000 (19640)	64100 (18790)	61100 (17910)	58200 (17060)	55100 (16150)	52200 (15300)							
BESB150H8 Compressor Model 4PES-15	40 (4.4)		179300 (52550)	172000 (50410)	164600 (48240)	157300 (46100)	150000 (43960)	142700 (41820)						
	35 (1.7)		163100 (47800)	156300 (45810)	149500 (43810)	142700 (41820)	136000 (39860)	129300 (37890)						
	30 (-1.1)		147700 (43290)	141500 (41470)	135200 (39620)	129000 (37810)	122700 (35960)	116600 (34170)						
	25 (-3.9)		133400 (39100)	127600 (37400)	121900 (35730)	116100 (34030)	110500 (32380)	104700 (30680)						
	20 (-6.7)		119800 (35110)	114600 (33590)	109300 (32030)	104100 (30510)	98900 (28980)	93700 (27460)						
	15 (-9.4)		107200 (31420)	102500 (30040)	97700 (28630)	92800 (27200)	88100 (25820)	83400 (24440)						
	10 (-12.2)		95400 (27960)	91100 (26700)	86700 (25410)	82400 (24150)	78100 (22890)	73800 (21630)						
	5 (-15.0)		84500 (24760)	80600 (23620)	76700 (22480)	72800 (21340)	68900 (20190)	65000 (19050)						
0 (-17.8)		74400 (21800)	70900 (20780)	67300 (19720)	63800 (18700)	60300 (17670)	56700 (16620)							
BESB200H8 Compressor Model 4NES-20	40 (4.4)		203500 (59640)	195300 (57240)	187100 (54830)	178900 (52430)	170600 (50000)	162400 (47590)						
	35 (1.7)		185900 (54480)	178200 (52230)	170600 (50000)	163000 (47770)	155300 (45510)	147700 (43290)						
	30 (-1.1)		169100 (49560)	161900 (47450)	154900 (45400)	147800 (43320)	140800 (41260)	133800 (39210)						
	25 (-3.9)		153100 (44870)	146600 (42960)	140100 (41060)	133600 (39150)	127200 (37280)	120600 (35340)						
	20 (-6.7)		138000 (40440)	132100 (38710)	126100 (36960)	120200 (35230)	114300 (33500)	108400 (31770)						
	15 (-9.4)		123900 (36310)	118500 (34730)	113100 (33150)	107700 (31560)	102300 (29980)	96900 (28400)						
	10 (-12.2)		110700 (32440)	105800 (31010)	100900 (29570)	96000 (28130)	91100 (26700)	86200 (25260)						
	5 (-15.0)		98400 (28840)	94000 (27550)	89600 (26260)	85100 (24940)	80600 (23620)	76200 (22330)						
0 (-17.8)		87000 (25500)	83000 (24320)	79000 (23150)	75000 (21980)	71000 (20810)	67000 (19640)							

NOTES:

- Above ratings are based on mean temperature.
- To convert to dew point ratings, use 0.95 multiplier.

MODEL BES	SAT. SUCTION TEMPERATURE		CAPACITY BTU/H (WATTS) R407A AMBIENT TEMPERATURE °F (°C)											
	° F	° C	85	(29.4)	90	(32.2)	95	(35.0)	100	(37.8)	105	(40.6)	110	(43.3)
BESB010L8 Compressor Model 2HES-1	0	(-17.8)	9670	(2830)	9220	(2700)	8780	(2570)	8350	(2450)	7910	(2320)	7470	(2190)
	-5	(-20.6)	8540	(2500)	8130	(2380)	7730	(2270)	7340	(2150)	6940	(2030)	6540	(1920)
	-10	(-23.3)	7490	(2200)	7120	(2090)	6760	(1980)	6410	(1880)	6040	(1770)	5690	(1670)
	-15	(-26.1)	6510	(1910)	6200	(1820)	5860	(1720)	5530	(1620)	5220	(1530)	4900	(1440)
	-20	(-28.9)	5610	(1640)	5320	(1560)	5030	(1470)	4750	(1390)	4450	(1300)	4180	(1230)
	-25	(-31.7)	4790	(1400)	4520	(1320)	4260	(1250)	4000	(1170)	3750	(1100)	3510	(1030)
	-30	(-34.4)	4030	(1180)	3790	(1110)	3560	(1040)	3330	(980)	3110	(910)	2880	(840)
	-35	(-37.2)	3320	(970)	3120	(910)	2910	(850)	2710	(790)	2510	(740)	2300	(670)
-40	(-40.0)	2680	(790)	2500	(730)	2310	(680)	2130	(620)	1950	(570)	1760	(520)	
BESB015L8 Compressor Model 2FES-2	0	(-17.8)	14600	(4280)	14000	(4100)	13300	(3900)	12600	(3690)	12000	(3520)	11300	(3310)
	-5	(-20.6)	12900	(3780)	12300	(3600)	11800	(3460)	11100	(3250)	10600	(3110)	10000	(2930)
	-10	(-23.3)	11300	(3310)	10800	(3170)	10300	(3020)	9770	(2860)	9250	(2710)	8750	(2560)
	-15	(-26.1)	9890	(2900)	9430	(2760)	8960	(2630)	8490	(2490)	8030	(2350)	7570	(2220)
	-20	(-28.9)	8570	(2510)	8150	(2390)	7730	(2270)	7320	(2150)	6900	(2020)	6490	(1900)
	-25	(-31.7)	7340	(2150)	6960	(2040)	6590	(1930)	6230	(1830)	5860	(1720)	5490	(1610)
	-30	(-34.4)	6220	(1820)	5880	(1720)	5540	(1620)	5220	(1530)	4890	(1430)	4580	(1340)
	-35	(-37.2)	5180	(1520)	4870	(1430)	4590	(1350)	4290	(1260)	4000	(1170)	3730	(1090)
-40	(-40.0)	4210	(1230)	3950	(1160)	3700	(1080)	3430	(1010)	3180	(930)	2930	(860)	
BESB020L8 Compressor Model 2EES-2	0	(-17.8)	15900	(4660)	15100	(4430)	14400	(4220)	13500	(3960)	12800	(3750)	12100	(3550)
	-5	(-20.6)	14000	(4100)	13300	(3900)	12600	(3690)	11900	(3490)	11200	(3280)	10500	(3080)
	-10	(-23.3)	12300	(3600)	11700	(3430)	10900	(3190)	10300	(3020)	9710	(2850)	9100	(2670)
	-15	(-26.1)	10600	(3110)	10000	(2930)	9470	(2780)	8900	(2610)	8340	(2440)	7790	(2280)
	-20	(-28.9)	9110	(2670)	8590	(2520)	8070	(2370)	7560	(2220)	7060	(2070)	6560	(1920)
	-25	(-31.7)	7720	(2260)	7260	(2130)	6790	(1990)	6340	(1860)	5890	(1730)	5440	(1590)
	-30	(-34.4)	6440	(1890)	6030	(1770)	5610	(1640)	5210	(1530)	4810	(1410)	4410	(1290)
	-35	(-37.2)	5260	(1540)	4890	(1430)	4530	(1330)	4170	(1220)	3800	(1110)	3450	(1010)
-40	(-40.0)	4180	(1230)	3850	(1130)	3530	(1030)	3200	(940)	2880	(840)	2570	(750)	
BESB025L8 Compressor Model 2DES-2	0	(-17.8)	19300	(5660)	18400	(5390)	17400	(5100)	16600	(4860)	15600	(4570)	14800	(4340)
	-5	(-20.6)	17000	(4980)	16200	(4750)	15300	(4480)	14600	(4280)	13800	(4040)	12900	(3780)
	-10	(-23.3)	14900	(4370)	14200	(4160)	13400	(3930)	12700	(3720)	12000	(3520)	11200	(3280)
	-15	(-26.1)	13000	(3810)	12300	(3600)	11700	(3430)	10900	(3190)	10300	(3020)	9650	(2830)
	-20	(-28.9)	11100	(3250)	10600	(3110)	9960	(2920)	9360	(2740)	8770	(2570)	8190	(2400)
	-25	(-31.7)	9500	(2780)	8970	(2630)	8430	(2470)	7900	(2320)	7370	(2160)	6860	(2010)
	-30	(-34.4)	7970	(2340)	7500	(2200)	7010	(2050)	6540	(1920)	6080	(1780)	5630	(1650)
	-35	(-37.2)	6560	(1920)	6130	(1800)	5720	(1680)	5300	(1550)	4880	(1430)	4470	(1310)
-40	(-40.0)	5280	(1550)	4890	(1430)	4520	(1320)	4150	(1220)	3780	(1110)	3410	(1000)	
BESB030L8 Compressor Model 2CES-3	0	(-17.8)	25200	(7390)	24000	(7030)	22900	(6710)	21800	(6390)	20700	(6070)	19600	(5740)
	-5	(-20.6)	22200	(6510)	21200	(6210)	20200	(5920)	19100	(5600)	18200	(5330)	17200	(5040)
	-10	(-23.3)	19400	(5690)	18600	(5450)	17600	(5160)	16700	(4890)	15900	(4660)	14900	(4370)
	-15	(-26.1)	16900	(4950)	16200	(4750)	15300	(4480)	14500	(4250)	13800	(4040)	12900	(3780)
	-20	(-28.9)	14600	(4280)	13900	(4070)	13100	(3840)	12500	(3660)	11800	(3460)	11000	(3220)
	-25	(-31.7)	12500	(3660)	11900	(3490)	11200	(3280)	10600	(3110)	9950	(2920)	9330	(2730)
	-30	(-34.4)	10600	(3110)	10000	(2930)	9430	(2760)	8860	(2600)	8310	(2440)	7770	(2280)
	-35	(-37.2)	8780	(2570)	8270	(2420)	7780	(2280)	7290	(2140)	6790	(1990)	6310	(1850)
-40	(-40.0)	7150	(2100)	6710	(1970)	6270	(1840)	5830	(1710)	5390	(1580)	4970	(1460)	
BESB031L8 Compressor Model 4FES-3	0	(-17.8)	25900	(7590)	24700	(7240)	23400	(6860)	22200	(6510)	20900	(6130)	19600	(5740)
	-5	(-20.6)	22800	(6680)	21600	(6330)	20500	(6010)	19300	(5660)	18200	(5330)	17000	(4980)
	-10	(-23.3)	19800	(5800)	18800	(5510)	17700	(5190)	16700	(4890)	15600	(4570)	14700	(4310)
	-15	(-26.1)	17100	(5010)	16200	(4750)	15200	(4450)	14300	(4190)	13400	(3930)	12500	(3660)
	-20	(-28.9)	14700	(4310)	13800	(4040)	12900	(3780)	12200	(3580)	11300	(3310)	10500	(3080)
	-25	(-31.7)	12400	(3630)	11700	(3430)	10900	(3190)	10100	(2960)	9420	(2760)	8700	(2550)
	-30	(-34.4)	10300	(3020)	9630	(2820)	8970	(2630)	8320	(2440)	7670	(2250)	7040	(2060)
	-35	(-37.2)	8410	(2460)	7810	(2290)	7210	(2110)	6640	(1950)	6070	(1780)	5510	(1610)
-40	(-40.0)	6680	(1960)	6140	(1800)	5630	(1650)	5110	(1500)	4600	(1350)	4120	(1210)	

NOTES:

- Above ratings are based on mean temperature.
- To convert to dew point ratings, use 0.95 multiplier.

table continues on next page >>>

CAPACITY DATA - R407A
LOW TEMPERATURE (cont'd)

MODEL BES	SAT. SUCTION TEMPERATURE		CAPACITY BTU/H (WATTS) R407A AMBIENT TEMPERATURE °F (°C)							
	° F	° C	85 (29.4)	90 (32.2)	95 (35.0)	100 (37.8)	105 (40.6)	110 (43.3)		
BESB039L8 Compressor Model 4EES-4	0 (-17.8)	33200 (9730)	31600 (9260)	30000 (8790)	28500 (8350)	26900 (7880)	25300 (7410)			
	-5 (-20.6)	29200 (8560)	27700 (8120)	26300 (7710)	24900 (7300)	23400 (6860)	22100 (6480)			
	-10 (-23.3)	25500 (7470)	24200 (7090)	22900 (6710)	21600 (6330)	20400 (5980)	19100 (5600)			
	-15 (-26.1)	22100 (6480)	20900 (6130)	19700 (5770)	18600 (5450)	17400 (5100)	16400 (4810)			
	-20 (-28.9)	18900 (5540)	17900 (5250)	16800 (4920)	15900 (4660)	14800 (4340)	13900 (4070)			
	-25 (-31.7)	16100 (4720)	15100 (4430)	14200 (4160)	13300 (3900)	12400 (3630)	11600 (3400)			
	-30 (-34.4)	13400 (3930)	12600 (3690)	11800 (3460)	11000 (3220)	10200 (2990)	9610 (2760)			
	-35 (-37.2)	11000 (3220)	10300 (3020)	9580 (2810)	8860 (2600)	8150 (2390)	7470 (2190)			
-40 (-40.0)	8850 (2590)	8190 (2400)	7550 (2210)	6910 (2030)	6290 (1840)	5680 (1660)				
BESB050L8 Compressor Model 4DES-5	0 (-17.8)	40800 (11960)	39000 (11430)	37100 (10870)	35200 (10320)	33300 (9760)	31500 (9230)			
	-5 (-20.6)	35900 (10520)	34100 (9990)	32400 (9500)	30800 (9030)	29100 (8530)	27500 (8060)			
	-10 (-23.3)	31400 (9200)	29800 (8730)	28200 (8260)	26800 (7850)	25300 (7410)	23800 (6980)			
	-15 (-26.1)	27200 (7970)	25800 (7560)	24500 (7180)	23100 (6770)	21700 (6360)	20500 (6010)			
	-20 (-28.9)	23400 (6860)	22200 (6510)	20900 (6130)	19700 (5770)	18500 (5420)	17300 (5070)			
	-25 (-31.7)	20000 (5860)	18800 (5510)	17700 (5190)	16700 (4890)	15500 (4540)	14600 (4280)			
	-30 (-34.4)	16700 (4890)	15800 (4630)	14800 (4340)	13900 (4070)	12900 (3780)	12000 (3520)			
	-35 (-37.2)	13900 (4070)	12900 (3780)	12100 (3550)	11200 (3280)	10400 (3050)	9630 (2820)			
-40 (-40.0)	11100 (3250)	10400 (3050)	9640 (2830)	8900 (2610)	8170 (2390)	7460 (2190)				
BESB060L8 Compressor Model 4CES-6	0 (-17.8)	49200 (14420)	47000 (13770)	44800 (13130)	42600 (12480)	40500 (11870)	38300 (11220)			
	-5 (-20.6)	43600 (12780)	41500 (12160)	39500 (11580)	37600 (11020)	35600 (10430)	33700 (9880)			
	-10 (-23.3)	38200 (11200)	36400 (10670)	34700 (10170)	32900 (9640)	31200 (9140)	29400 (8620)			
	-15 (-26.1)	33400 (9790)	31700 (9290)	30100 (8820)	28600 (8380)	27000 (7910)	25500 (7470)			
	-20 (-28.9)	28900 (8470)	27400 (8030)	26000 (7620)	24600 (7210)	23200 (6800)	21800 (6390)			
	-25 (-31.7)	24800 (7270)	23400 (6860)	22200 (6510)	21000 (6150)	19700 (5770)	18500 (5420)			
	-30 (-34.4)	21000 (6150)	19800 (5800)	18700 (5480)	17600 (5160)	16500 (4840)	15400 (4510)			
	-35 (-37.2)	17500 (5130)	16500 (4840)	15500 (4540)	14600 (4280)	13500 (3960)	12700 (3720)			
-40 (-40.0)	14300 (4190)	13400 (3930)	12600 (3690)	11800 (3460)	10900 (3190)	10100 (2960)				
BESB080L8 Compressor Model 4TES-9	0 (-17.8)	63500 (18610)	60600 (17760)	57600 (16880)	54700 (16030)	51800 (15180)	48900 (14330)			
	-5 (-20.6)	55900 (16380)	53200 (15590)	50500 (14800)	48000 (14070)	45400 (13310)	42700 (12510)			
	-10 (-23.3)	48800 (14300)	46400 (13600)	44000 (12900)	41700 (12220)	39400 (11550)	37100 (10870)			
	-15 (-26.1)	42200 (12370)	40100 (11750)	38000 (11140)	35900 (10520)	33800 (9910)	31700 (9290)			
	-20 (-28.9)	36200 (10610)	34300 (10050)	32400 (9500)	30600 (8970)	28700 (8410)	26900 (7880)			
	-25 (-31.7)	30700 (9000)	29000 (8500)	27300 (8000)	25600 (7500)	23900 (7000)	22400 (6560)			
	-30 (-34.4)	25600 (7500)	24000 (7030)	22600 (6620)	21100 (6180)	19600 (5740)	18200 (5330)			
	-35 (-37.2)	20900 (6130)	19500 (5710)	18200 (5330)	16800 (4920)	15500 (4540)	14200 (4160)			
-40 (-40.0)	16500 (4840)	15200 (4450)	14100 (4130)	12800 (3750)	11700 (3430)	10500 (3080)				
BESB100L8 Compressor Model 4PES-12	0 (-17.8)	69900 (20490)	66500 (19490)	63000 (18460)	59500 (17440)	56200 (16470)	52800 (15470)			
	-5 (-20.6)	61300 (17970)	58200 (17060)	55000 (16120)	52000 (15240)	48800 (14300)	45800 (13420)			
	-10 (-23.3)	53300 (15620)	50500 (14800)	47700 (13980)	44800 (13130)	42100 (12340)	39400 (11550)			
	-15 (-26.1)	46000 (13480)	43500 (12750)	40800 (11960)	38300 (11220)	35900 (10520)	33500 (9820)			
	-20 (-28.9)	39200 (11490)	36900 (10810)	34500 (10110)	32300 (9470)	30100 (8820)	27900 (8180)			
	-25 (-31.7)	32900 (9640)	30900 (9060)	28800 (8440)	26800 (7850)	24800 (7270)	22900 (6710)			
	-30 (-34.4)	27100 (7940)	25200 (7390)	23400 (6860)	21600 (6330)	19800 (5800)	18100 (5300)			
	-35 (-37.2)	21700 (6360)	20100 (5890)	18500 (5420)	16800 (4920)	15200 (4450)	13700 (4020)			
-40 (-40.0)	16800 (4920)	15200 (4450)	13800 (4040)	12400 (3630)	10900 (3190)	9530 (2790)				
BESB120L8 Compressor Model 4NES-14	0 (-17.8)	81300 (23830)	77400 (22680)	73500 (21540)	69700 (20430)	65800 (19280)	62100 (18200)			
	-5 (-20.6)	71700 (21010)	68100 (19960)	64700 (18960)	61200 (17940)	57800 (16940)	54400 (15940)			
	-10 (-23.3)	62800 (18400)	59500 (17440)	56400 (16530)	53300 (15620)	50200 (14710)	47100 (13800)			
	-15 (-26.1)	54500 (15970)	51600 (15120)	48700 (14270)	46000 (13480)	43200 (12660)	40400 (11840)			
	-20 (-28.9)	46700 (13690)	44200 (12950)	41700 (12220)	39200 (11490)	36600 (10730)	34200 (10020)			
	-25 (-31.7)	39600 (11610)	37300 (10930)	35100 (10290)	32800 (9610)	30600 (8970)	28500 (8350)			
	-30 (-34.4)	33000 (9670)	30900 (9060)	28900 (8470)	26900 (7880)	24900 (7300)	23000 (6740)			
	-35 (-37.2)	26800 (7850)	25000 (7330)	23200 (6800)	21400 (6270)	19600 (5740)	18000 (5280)			
-40 (-40.0)	21100 (6180)	19400 (5690)	17900 (5250)	16200 (4750)	14600 (4280)	13100 (3840)				

NOTES:

- Above ratings are based on mean temperature.
- To convert to dew point ratings, use 0.95 multiplier.

CAPACITY DATA - R448A
HIGH / MEDIUM TEMPERATURE

MODEL BES	SATURATED SUCTION TEMPERATURE		CAPACITY BTU/H (WATTS) R448A AMBIENT TEMPERATURE °F (°C)							
	° F	° C	85 (29.4)	90 (32.2)	95 (35.0)	100 (37.8)	105 (40.6)	110 (43.3)		
BESB010H8 Compressor Model 2KES-05	40 (4.4)		14000 (4100)	13300 (3900)	12700 (3720)	12000 (3520)	11300 (3310)	10600 (3110)		
	35 (1.7)		12700 (3720)	12100 (3550)	11400 (3340)	10900 (3190)	10300 (3020)	9640 (2830)		
	30 (-1.1)		11600 (3400)	10900 (3190)	10400 (3050)	9810 (2880)	9240 (2710)	8670 (2540)		
	25 (-3.9)		10400 (3050)	9840 (2880)	9320 (2730)	8800 (2580)	8280 (2430)	7780 (2280)		
	20 (-6.7)		9270 (2720)	8810 (2580)	8350 (2450)	7880 (2310)	7400 (2170)	6930 (2030)		
	15 (-9.4)		8260 (2420)	7840 (2300)	7410 (2170)	6990 (2050)	6560 (1920)	6130 (1800)		
	10 (-12.2)		7330 (2150)	6940 (2030)	6550 (1920)	6170 (1810)	5790 (1700)	5400 (1580)		
	5 (-15.0)		6450 (1890)	6100 (1790)	5750 (1690)	5410 (1590)	5060 (1480)	4710 (1380)		
0 (-17.8)		5640 (1650)	5320 (1560)	5010 (1470)	4700 (1380)	4390 (1290)	4080 (1200)			
BESB015H8 Compressor Model 2JES-07	40 (4.4)		19100 (5600)	18300 (5360)	17400 (5100)	16500 (4840)	15600 (4570)	14800 (4340)		
	35 (1.7)		17300 (5070)	16600 (4860)	15800 (4630)	15000 (4400)	14200 (4160)	13300 (3900)		
	30 (-1.1)		15800 (4630)	15000 (4400)	14300 (4190)	13500 (3960)	12800 (3750)	12100 (3550)		
	25 (-3.9)		14200 (4160)	13400 (3930)	12800 (3750)	12200 (3580)	11400 (3340)	10800 (3170)		
	20 (-6.7)		12700 (3720)	12100 (3550)	11400 (3340)	10800 (3170)	10300 (3020)	9650 (2830)		
	15 (-9.4)		11300 (3310)	10800 (3170)	10200 (2990)	9670 (2830)	9120 (2670)	8570 (2510)		
	10 (-12.2)		10000 (2930)	9540 (2800)	9060 (2660)	8570 (2510)	8060 (2360)	7570 (2220)		
	5 (-15.0)		8850 (2590)	8420 (2470)	7980 (2340)	7540 (2210)	7090 (2080)	6640 (1950)		
0 (-17.8)		7770 (2280)	7380 (2160)	6980 (2050)	6580 (1930)	6200 (1820)	5790 (1700)			
BESB020H8 Compressor Model 2HES-2	40 (4.4)		23100 (6770)	22100 (6480)	21000 (6150)	20000 (5860)	18900 (5540)	---	---	
	35 (1.7)		21100 (6180)	20100 (5890)	19100 (5600)	18200 (5330)	17200 (5040)	16300 (4780)		
	30 (-1.1)		19100 (5600)	18300 (5360)	17300 (5070)	16500 (4840)	15500 (4540)	14700 (4310)		
	25 (-3.9)		17300 (5070)	16500 (4840)	15600 (4570)	14900 (4370)	14100 (4130)	13200 (3870)		
	20 (-6.7)		15500 (4540)	14800 (4340)	14100 (4130)	13300 (3900)	12600 (3690)	11900 (3490)		
	15 (-9.4)		14000 (4100)	13300 (3900)	12600 (3690)	12000 (3520)	11300 (3310)	10600 (3110)		
	10 (-12.2)		12400 (3630)	11900 (3490)	11200 (3280)	10600 (3110)	10000 (2930)	9420 (2760)		
	5 (-15.0)		11000 (3220)	10500 (3080)	9950 (2920)	9420 (2760)	8860 (2600)	8320 (2440)		
0 (-17.8)		9710 (2850)	9230 (2710)	8750 (2560)	8260 (2420)	7780 (2280)	7290 (2140)			
BESB025H8 Compressor Model 2GES-2	40 (4.4)		27500 (8060)	26300 (7710)	25000 (7330)	23800 (6980)	22600 (6620)	---	---	
	35 (1.7)		25000 (7330)	23900 (7000)	22800 (6680)	21600 (6330)	20500 (6010)	19300 (5660)		
	30 (-1.1)		22800 (6680)	21700 (6360)	20700 (6070)	19600 (5740)	18600 (5450)	17500 (5130)		
	25 (-3.9)		20600 (6040)	19600 (5740)	18700 (5480)	17700 (5190)	16800 (4920)	15900 (4660)		
	20 (-6.7)		18500 (5420)	17600 (5160)	16800 (4920)	16000 (4690)	15100 (4430)	14200 (4160)		
	15 (-9.4)		16600 (4860)	15900 (4660)	15000 (4400)	14300 (4190)	13400 (3930)	12700 (3720)		
	10 (-12.2)		14800 (4340)	14100 (4130)	13400 (3930)	12700 (3720)	12000 (3520)	11200 (3280)		
	5 (-15.0)		13100 (3840)	12500 (3660)	11900 (3490)	11200 (3280)	10600 (3110)	9950 (2920)		
0 (-17.8)		11600 (3400)	11000 (3220)	10500 (3080)	9880 (2900)	9300 (2730)	8730 (2560)			

NOTES:

- Above ratings are based on mean temperature.
- To convert to dew point ratings, use 0.95 multiplier.
- Shaded Area Restriction: 20°F Max Superheat
- For R449A, use R448A data.

table continues on next page >>>

CAPACITY DATA - **R448A**

HIGH / MEDIUM TEMPERATURE (cont'd)

MODEL	SATURATED SUCTION TEMPERATURE		CAPACITY BTU/H (WATTS) R448A AMBIENT TEMPERATURE °F (°C)							
	° F	° C	85 (29.4)	90 (32.2)	95 (35.0)	100 (37.8)	105 (40.6)	110 (43.3)		
BESB029H8 Compressor Model 2FES-3	40 (4.4)		36300 (10640)	34900 (10230)	33300 (9760)	31600 (9260)	30000 (8790)	28500 (8350)		
	35 (1.7)		33100 (9700)	31600 (9260)	30100 (8820)	28700 (8410)	27300 (8000)	25800 (7560)		
	30 (-1.1)		29900 (8760)	28600 (8380)	27300 (8000)	25900 (7590)	24600 (7210)	23300 (6830)		
	25 (-3.9)		27000 (7910)	25800 (7560)	24600 (7210)	23400 (6860)	22200 (6510)	20900 (6130)		
	20 (-6.7)		24300 (7120)	23200 (6800)	22100 (6480)	21000 (6150)	19800 (5800)	18800 (5510)		
	15 (-9.4)		21600 (6330)	20700 (6070)	19700 (5770)	18700 (5480)	17700 (5190)	16700 (4890)		
	10 (-12.2)		19300 (5660)	18400 (5390)	17500 (5130)	16600 (4860)	15800 (4630)	14800 (4340)		
	5 (-15.0)		17100 (5010)	16300 (4780)	15500 (4540)	14700 (4310)	13900 (4070)	13100 (3840)		
0 (-17.8)		15000 (4400)	14300 (4190)	13700 (4020)	12900 (3780)	12200 (3580)	11400 (3340)			
BESB030H8 Compressor Model 2EES-3	40 (4.4)		43700 (12810)	42000 (12310)	40300 (11810)	38500 (11280)	36900 (10810)	---	---	
	35 (1.7)		39800 (11660)	38200 (11200)	36600 (10730)	35100 (10290)	33500 (9820)	31900 (9350)		
	30 (-1.1)		36100 (10580)	34700 (10170)	33200 (9730)	31700 (9290)	30200 (8850)	28800 (8440)		
	25 (-3.9)		32700 (9580)	31300 (9170)	29900 (8760)	28600 (8380)	27300 (8000)	25900 (7590)		
	20 (-6.7)		29400 (8620)	28100 (8240)	26900 (7880)	25700 (7530)	24500 (7180)	23200 (6800)		
	15 (-9.4)		26400 (7740)	25200 (7390)	24200 (7090)	23000 (6740)	21800 (6390)	20800 (6100)		
	10 (-12.2)		23500 (6890)	22500 (6590)	21500 (6300)	20500 (6010)	19400 (5690)	18500 (5420)		
	5 (-15.0)		20900 (6130)	20000 (5860)	19000 (5570)	18200 (5330)	17200 (5040)	16300 (4780)		
0 (-17.8)		18500 (5420)	17600 (5160)	16800 (4920)	16000 (4690)	15100 (4430)	14300 (4190)			
BESB035H8 Compressor Model 2DES-3	40 (4.4)		52700 (15440)	50600 (14830)	48600 (14240)	46600 (13660)	44500 (13040)	42500 (12460)		
	35 (1.7)		47900 (14040)	46100 (13510)	44200 (12950)	42300 (12400)	40400 (11840)	38500 (11280)		
	30 (-1.1)		43500 (12750)	41800 (12250)	40000 (11720)	38300 (11220)	36500 (10700)	34900 (10230)		
	25 (-3.9)		39300 (11520)	37700 (11050)	36100 (10580)	34500 (10110)	33000 (9670)	31400 (9200)		
	20 (-6.7)		35400 (10370)	33900 (9940)	32400 (9500)	31000 (9090)	29600 (8670)	28100 (8240)		
	15 (-9.4)		31700 (9290)	30500 (8940)	29100 (8530)	27700 (8120)	26500 (7770)	25100 (7360)		
	10 (-12.2)		28400 (8320)	27200 (7970)	25900 (7590)	24800 (7270)	23500 (6890)	22400 (6560)		
	5 (-15.0)		25200 (7390)	24200 (7090)	23100 (6770)	21900 (6420)	20900 (6130)	19700 (5770)		
0 (-17.8)		22400 (6560)	21300 (6240)	20400 (5980)	19400 (5690)	18400 (5390)	17400 (5100)			
BESB040H8 Compressor Model 2CES-4	40 (4.4)		62100 (18200)	59700 (17500)	57300 (16790)	54900 (16090)	52600 (15420)	---	---	
	35 (1.7)		56700 (16620)	54500 (15970)	52300 (15330)	50100 (14680)	47900 (14040)	45700 (13390)		
	30 (-1.1)		51700 (15150)	49600 (14540)	47600 (13950)	45500 (13330)	43500 (12750)	41500 (12160)		
	25 (-3.9)		46800 (13720)	44900 (13160)	43100 (12630)	41200 (12070)	39300 (11520)	37500 (10990)		
	20 (-6.7)		42300 (12400)	40600 (11900)	38900 (11400)	37200 (10900)	35500 (10400)	33700 (9880)		
	15 (-9.4)		38100 (11170)	36500 (10700)	35000 (10260)	33400 (9790)	31800 (9320)	30200 (8850)		
	10 (-12.2)		34100 (9990)	32800 (9610)	31300 (9170)	29800 (8730)	28500 (8350)	27000 (7910)		
	5 (-15.0)		30500 (8940)	29200 (8560)	27900 (8180)	26600 (7800)	25300 (7410)	24000 (7030)		
0 (-17.8)		27100 (7940)	25900 (7590)	24800 (7270)	23600 (6920)	22500 (6590)	21300 (6240)			
BESB050H8 Compressor Model 4FES-5	40 (4.4)		71600 (20980)	68900 (20190)	66000 (19340)	63300 (18550)	60600 (17760)	57900 (16970)		
	35 (1.7)		65100 (19080)	62600 (18350)	60100 (17610)	57500 (16850)	55000 (16120)	52400 (15360)		
	30 (-1.1)		59000 (17290)	56700 (16620)	54400 (15940)	52100 (15270)	49700 (14570)	47400 (13890)		
	25 (-3.9)		53300 (15620)	51200 (15010)	49000 (14360)	46900 (13740)	44700 (13100)	42600 (12480)		
	20 (-6.7)		48100 (14100)	46100 (13510)	44100 (12920)	42200 (12370)	40200 (11780)	38200 (11200)		
	15 (-9.4)		43200 (12660)	41400 (12130)	39500 (11580)	37700 (11050)	36000 (10550)	34200 (10020)		
	10 (-12.2)		38500 (11280)	36900 (10810)	35300 (10350)	33700 (9880)	32000 (9380)	30500 (8940)		
	5 (-15.0)		34300 (10050)	32900 (9640)	31400 (9200)	29900 (8760)	28500 (8350)	27000 (7910)		
0 (-17.8)		30300 (8880)	29100 (8530)	27700 (8120)	26500 (7770)	25100 (7360)	23800 (6980)			

NOTES:

- Above ratings are based on mean temperature.
- To convert to dew point ratings, use 0.95 multiplier.
- Shaded Area Restriction: 20°F Max Superheat
- For R449A, use R448A data.

table continues on next page >>>

CAPACITY DATA - **R448A**

HIGH / MEDIUM TEMPERATURE (cont'd)

MODEL BES	SATURATED SUCTION TEMPERATURE		CAPACITY BTU/H (WATTS) R448A AMBIENT TEMPERATURE °F (°C)											
	° F	° C	85 (29.4)	90 (32.2)	95 (35.0)	100 (37.8)	105 (40.6)	110 (43.3)						
Compressor Model 4EES-6	40	(4.4)	85800	(25150)	82400	(24150)	79100	(23180)	75700	(22190)	72500	(21250)	---	---
	35	(1.7)	78300	(22950)	75200	(22040)	72100	(21130)	69000	(20220)	65800	(19280)	62800	(18400)
	30	(-1.1)	71200	(20870)	68400	(20050)	65500	(19200)	62600	(18350)	59700	(17500)	56800	(16650)
	25	(-3.9)	64600	(18930)	61800	(18110)	59200	(17350)	56600	(16590)	54000	(15830)	51200	(15010)
	20	(-6.7)	58300	(17090)	55900	(16380)	53300	(15620)	50900	(14920)	48500	(14210)	46100	(13510)
	15	(-9.4)	52400	(15360)	50100	(14680)	47900	(14040)	45700	(13390)	43500	(12750)	41300	(12100)
	10	(-12.2)	46800	(13720)	44800	(13130)	42800	(12540)	40800	(11960)	38900	(11400)	36900	(10810)
	5	(-15.0)	41800	(12250)	39900	(11690)	38100	(11170)	36300	(10640)	34400	(10080)	32700	(9580)
0	(-17.8)	37100	(10870)	35400	(10370)	33800	(9910)	32100	(9410)	30500	(8940)	28900	(8470)	
Compressor Model 4DES-7	40	(4.4)	105800	(31010)	101700	(29810)	97800	(28660)	93700	(27460)	89600	(26260)	85500	(25060)
	35	(1.7)	96300	(28220)	92500	(27110)	88700	(26000)	84900	(24880)	81200	(23800)	77400	(22680)
	30	(-1.1)	87300	(25590)	83800	(24560)	80300	(23530)	76800	(22510)	73300	(21480)	69800	(20460)
	25	(-3.9)	78900	(23120)	75600	(22160)	72500	(21250)	69200	(20280)	66000	(19340)	62800	(18400)
	20	(-6.7)	70900	(20780)	67900	(19900)	65100	(19080)	62200	(18230)	59200	(17350)	56300	(16500)
	15	(-9.4)	63600	(18640)	60900	(17850)	58300	(17090)	55500	(16270)	52900	(15500)	50300	(14740)
	10	(-12.2)	56800	(16650)	54400	(15940)	51900	(15210)	49600	(14540)	47100	(13800)	44700	(13100)
	5	(-15.0)	50500	(14800)	48300	(14160)	46100	(13510)	43900	(12870)	41700	(12220)	39600	(11610)
0	(-17.8)	44600	(13070)	42700	(12510)	40700	(11930)	38700	(11340)	36800	(10780)	34900	(10230)	
Compressor Model 4CES-9	40	(4.4)	124700	(36550)	119900	(35140)	115100	(33730)	110300	(32330)	105500	(30920)	---	---
	35	(1.7)	113800	(33350)	109400	(32060)	104900	(30740)	100500	(29450)	96100	(28160)	91600	(26850)
	30	(-1.1)	103500	(30330)	99400	(29130)	95300	(27930)	91200	(26730)	87200	(25560)	83100	(24350)
	25	(-3.9)	93900	(27520)	90100	(26410)	86300	(25290)	82500	(24180)	78800	(23090)	75000	(21980)
	20	(-6.7)	84700	(24820)	81300	(23830)	77900	(22830)	74400	(21800)	71000	(20810)	67500	(19780)
	15	(-9.4)	76200	(22330)	73100	(21420)	69900	(20490)	66800	(19580)	63600	(18640)	60600	(17760)
	10	(-12.2)	68400	(20050)	65500	(19200)	62600	(18350)	59700	(17500)	56900	(16680)	54100	(15860)
	5	(-15.0)	61000	(17880)	58400	(17120)	55900	(16380)	53200	(15590)	50700	(14860)	48100	(14100)
0	(-17.8)	54200	(15880)	51900	(15210)	49600	(14540)	47300	(13860)	44900	(13160)	42600	(12480)	
Compressor Model 4VES-10	40	(4.4)	130100	(38130)	124700	(36550)	119400	(34990)	114100	(33440)	108800	(31890)	---	---
	35	(1.7)	118500	(34730)	113600	(33290)	108700	(31860)	103700	(30390)	98800	(28960)	93900	(27520)
	30	(-1.1)	107600	(31530)	103000	(30190)	98500	(28870)	93900	(27520)	89400	(26200)	84800	(24850)
	25	(-3.9)	97200	(28490)	93000	(27260)	88800	(26020)	84600	(24790)	80500	(23590)	76300	(22360)
	20	(-6.7)	87600	(25670)	83700	(24530)	79800	(23390)	76000	(22270)	72200	(21160)	68400	(20050)
	15	(-9.4)	78400	(22980)	75000	(21980)	71400	(20930)	67900	(19900)	64500	(18900)	61000	(17880)
	10	(-12.2)	70000	(20510)	66800	(19580)	63600	(18640)	60500	(17730)	57300	(16790)	54200	(15880)
	5	(-15.0)	62200	(18230)	59200	(17350)	56400	(16530)	53600	(15710)	50700	(14860)	47900	(14040)
0	(-17.8)	54900	(16090)	52300	(15330)	49700	(14570)	47100	(13800)	44600	(13070)	42000	(12310)	
Compressor Model 4TES-12	40	(4.4)	164700	(48270)	158200	(46360)	151600	(44430)	145100	(42520)	138600	(40620)	132100	(38710)
	35	(1.7)	149700	(43870)	143600	(42080)	137600	(40330)	131600	(38570)	125600	(36810)	119600	(35050)
	30	(-1.1)	135600	(39740)	130000	(38100)	124400	(36460)	118900	(34850)	113400	(33230)	107800	(31590)
	25	(-3.9)	122300	(35840)	117200	(34350)	112100	(32850)	107100	(31390)	102000	(29890)	97000	(28430)
	20	(-6.7)	109900	(32210)	105300	(30860)	100700	(29510)	96100	(28160)	91500	(26820)	86800	(25440)
	15	(-9.4)	98400	(28840)	94200	(27610)	90000	(26380)	85800	(25150)	81700	(23940)	77500	(22710)
	10	(-12.2)	87800	(25730)	84000	(24620)	80100	(23470)	76300	(22360)	72600	(21280)	68900	(20190)
	5	(-15.0)	77900	(22830)	74400	(21800)	71100	(20840)	67600	(19810)	64300	(18840)	60900	(17850)
0	(-17.8)	68900	(20190)	65700	(19250)	62700	(18380)	59600	(17470)	56600	(16590)	53600	(15710)	
Compressor Model 4PES-15	40	(4.4)	183900	(53900)	176300	(51670)	168600	(49410)	161100	(47210)	153500	(44990)	146000	(42790)
	35	(1.7)	167200	(49000)	160100	(46920)	153100	(44870)	146100	(42820)	139000	(40740)	132000	(38690)
	30	(-1.1)	151400	(44370)	144900	(42470)	138400	(40560)	131900	(38660)	125400	(36750)	119000	(34880)
	25	(-3.9)	136500	(40000)	130500	(38250)	124500	(36490)	118700	(34790)	112700	(33030)	106800	(31300)
	20	(-6.7)	122600	(35930)	117200	(34350)	111700	(32740)	106300	(31150)	100800	(29540)	95400	(27960)
	15	(-9.4)	109600	(32120)	104700	(30680)	99600	(29190)	94700	(27750)	89800	(26320)	84900	(24880)
	10	(-12.2)	97700	(28630)	93100	(27280)	88600	(25970)	84100	(24650)	79600	(23330)	75200	(22040)
	5	(-15.0)	86500	(25350)	82400	(24150)	78300	(22950)	74200	(21750)	70200	(20570)	66300	(19430)
0	(-17.8)	76200	(22330)	72600	(21280)	68900	(20190)	65200	(19110)	61500	(18020)	58000	(17000)	
Compressor Model 4NES-20	40	(4.4)	210200	(61600)	201700	(59110)	193300	(56650)	184900	(54190)	---	---	---	---
	35	(1.7)	192000	(56270)	184200	(53980)	176300	(51670)	168500	(49380)	160700	(47100)	---	---
	30	(-1.1)	174700	(51200)	167500	(49090)	160200	(46950)	153000	(44840)	145700	(42700)	138500	(40590)
	25	(-3.9)	158300	(46390)	151600	(44430)	144900	(42470)	138300	(40530)	131700	(38600)	125100	(36660)
	20	(-6.7)	142800	(41850)	136700	(40060)	130600	(38270)	124500	(36490)	118500	(34730)	112500	(32970)
	15	(-9.4)	128300	(37600)	122700	(35960)	117300	(34380)	111700	(32740)	106200	(31120)	100700	(29510)
	10	(-12.2)	114900	(33670)	109800	(32180)	104800	(30710)	99800	(29250)	94800	(27780)	89800	(26320)
	5	(-15.0)	102300	(29980)	97800	(28660)	93200	(27310)	88700	(26000)	84200	(24680)	79700	(23360)
0	(-17.8)	90600	(26550)	86500	(25350)	82500	(24180)	78400	(22980)	74400	(21800)	70400	(20630)	

- NOTES:**
- Above ratings are based on mean temperature.
 - To convert to dew point ratings, use 0.95 multiplier.
 - Shaded Area Restriction: 20°F Max Superheat
 - For R449A, use R448A data.

table continues on next page >>>

MODEL BES	SAT. SUCTION TEMPERATURE		CAPACITY BTU/H (WATTS) R448A						AMBIENT TEMPERATURE °F (°C)	
	° F	° C	85 (29.4)	90 (32.2)	95 (35.0)	100 (37.8)	105 (40.6)	110 (43.3)		
BESB010L8 Compressor Model 2HES-1	0 (-17.8)	13700 (4860)	15900 (4660)	15000 (4400)	14300 (4190)	13400 (3930)	12700 (3720)			
	-5 (-20.6)	14700 (4310)	14000 (4100)	13200 (3870)	12500 (3660)	11900 (3490)	11100 (3250)			
	-10 (-23.3)	12900 (3780)	12300 (3600)	11700 (3430)	10900 (3190)	10300 (3020)	9670 (2830)			
	-15 (-26.1)	11200 (3280)	10600 (3110)	10100 (2960)	9490 (2780)	8910 (2610)	8330 (2440)			
	-20 (-28.9)	9710 (2850)	9180 (2690)	8650 (2540)	8130 (2380)	7600 (2230)	7080 (2070)			
	-25 (-31.7)	8280 (2430)	7820 (2290)	7340 (2150)	6870 (2010)	6390 (1870)	5920 (1730)			
	-30 (-34.4)	6980 (2050)	6550 (1920)	6120 (1790)	5700 (1670)	5280 (1550)	4850 (1420)			
	-35 (-37.2)	5780 (1690)	5390 (1580)	5000 (1470)	4630 (1360)	4240 (1240)	3860 (1130)			
-40 (-40.0)	4660 (1370)	4310 (1260)	3960 (1160)	3620 (1060)	3280 (960)	2930 (860)				
BESB015L8 Compressor Model 2FES-2	0 (-17.8)	13700 (4860)	15900 (4660)	15000 (4400)	14300 (4190)	13400 (3930)	12700 (3720)			
	-5 (-20.6)	12100 (3550)	11400 (3340)	10800 (3170)	10100 (2960)	9480 (2780)	8810 (2580)			
	-10 (-23.3)	10500 (3080)	9950 (2920)	9390 (2750)	8800 (2580)	8210 (2410)	7610 (2230)			
	-15 (-26.1)	9090 (2660)	8590 (2520)	8090 (2370)	7560 (2220)	7040 (2060)	6490 (1900)			
	-20 (-28.9)	7790 (2280)	7350 (2150)	6890 (2020)	6420 (1880)	5940 (1740)	5450 (1600)			
	-25 (-31.7)	6580 (1930)	6200 (1820)	5790 (1700)	5370 (1570)	4920 (1440)	4480 (1310)			
	-30 (-34.4)	5480 (1610)	5130 (1500)	4770 (1400)	4380 (1280)	3990 (1170)	3590 (1050)			
	-35 (-37.2)	4460 (1310)	4160 (1220)	3820 (1120)	3490 (1020)	3130 (920)	2750 (810)			
-40 (-40.0)	3540 (1040)	3260 (960)	2960 (870)	2650 (780)	2310 (680)	1970 (580)				
BESB020L8 Compressor Model 2EES-2	0 (-17.8)	16600 (4860)	15900 (4660)	15000 (4400)	14300 (4190)	13400 (3930)	12700 (3720)			
	-5 (-20.6)	14700 (4310)	14000 (4100)	13200 (3870)	12500 (3660)	11900 (3490)	11100 (3250)			
	-10 (-23.3)	12900 (3780)	12300 (3600)	11700 (3430)	10900 (3190)	10300 (3020)	9670 (2830)			
	-15 (-26.1)	11200 (3280)	10600 (3110)	10100 (2960)	9490 (2780)	8910 (2610)	8330 (2440)			
	-20 (-28.9)	9710 (2850)	9180 (2690)	8650 (2540)	8130 (2380)	7600 (2230)	7080 (2070)			
	-25 (-31.7)	8280 (2430)	7820 (2290)	7340 (2150)	6870 (2010)	6390 (1870)	5920 (1730)			
	-30 (-34.4)	6980 (2050)	6550 (1920)	6120 (1790)	5700 (1670)	5280 (1550)	4850 (1420)			
	-35 (-37.2)	5780 (1690)	5390 (1580)	5000 (1470)	4630 (1360)	4240 (1240)	3860 (1130)			
-40 (-40.0)	4660 (1370)	4310 (1260)	3960 (1160)	3620 (1060)	3280 (960)	2930 (860)				
BESB025L8 Compressor Model 2DES-2	0 (-17.8)	20100 (5890)	19200 (5630)	18300 (5360)	17300 (5070)	16400 (4810)	15400 (4510)			
	-5 (-20.6)	17900 (5250)	17000 (4980)	16200 (4750)	15300 (4480)	14500 (4250)	13700 (4020)			
	-10 (-23.3)	15600 (4570)	14900 (4370)	14200 (4160)	13400 (3930)	12600 (3690)	11900 (3490)			
	-15 (-26.1)	13700 (4020)	13000 (3810)	12300 (3600)	11700 (3430)	10900 (3190)	10300 (3020)			
	-20 (-28.9)	11900 (3490)	11200 (3280)	10600 (3110)	10000 (2930)	9400 (2750)	8780 (2570)			
	-25 (-31.7)	10200 (2990)	9610 (2820)	9050 (2650)	8490 (2490)	7950 (2330)	7400 (2170)			
	-30 (-34.4)	8600 (2520)	8100 (2370)	7600 (2230)	7110 (2080)	6620 (1940)	6120 (1790)			
	-35 (-37.2)	7150 (2100)	6710 (1970)	6270 (1840)	5830 (1710)	5390 (1580)	4950 (1450)			
-40 (-40.0)	5830 (1710)	5430 (1590)	5020 (1470)	4630 (1360)	4240 (1240)	3840 (1130)				
BESB030L8 Compressor Model 2CES-3	0 (-17.8)	26100 (7650)	25000 (7330)	23800 (6980)	22800 (6680)	21600 (6330)	20500 (6010)			
	-5 (-20.6)	23200 (6800)	22200 (6510)	21100 (6180)	20100 (5890)	19000 (5570)	18100 (5300)			
	-10 (-23.3)	20400 (5980)	19400 (5690)	18500 (5420)	17600 (5160)	16700 (4890)	15800 (4630)			
	-15 (-26.1)	17900 (5250)	17000 (4980)	16200 (4750)	15300 (4480)	14500 (4250)	13700 (4020)			
	-20 (-28.9)	15400 (4510)	14700 (4310)	14000 (4100)	13200 (3870)	12500 (3660)	11800 (3460)			
	-25 (-31.7)	13300 (3900)	12600 (3690)	12000 (3520)	11300 (3310)	10600 (3110)	10000 (2930)			
	-30 (-34.4)	11300 (3310)	10700 (3140)	10100 (2960)	9540 (2800)	8960 (2630)	8380 (2460)			
	-35 (-37.2)	9490 (2780)	8970 (2630)	8440 (2470)	7920 (2320)	7390 (2170)	6880 (2020)			
-40 (-40.0)	7810 (2290)	7350 (2150)	6880 (2020)	6410 (1880)	5940 (1740)	5480 (1610)				
BESB031L8 Compressor Model 4FES-3	0 (-17.8)	28200 (8260)	26900 (7880)	25600 (7500)	24400 (7150)	23100 (6770)	21800 (6390)			
	-5 (-20.6)	25000 (7330)	23800 (6980)	22700 (6650)	21500 (6300)	20400 (5980)	19200 (5630)			
	-10 (-23.3)	21900 (6420)	20900 (6130)	19800 (5800)	18800 (5510)	17900 (5250)	16800 (4920)			
	-15 (-26.1)	19200 (5630)	18300 (5360)	17300 (5070)	16400 (4810)	15400 (4510)	14600 (4280)			
	-20 (-28.9)	16600 (4860)	15800 (4630)	14900 (4370)	14200 (4160)	13300 (3900)	12500 (3660)			
	-25 (-31.7)	14300 (4190)	13500 (3960)	12800 (3750)	12100 (3550)	11300 (3310)	10600 (3110)			
	-30 (-34.4)	12200 (3580)	11400 (3340)	10800 (3170)	10200 (2990)	9510 (2790)	8880 (2600)			
	-35 (-37.2)	10200 (2990)	9570 (2800)	8980 (2630)	8400 (2460)	7830 (2290)	7280 (2130)			
-40 (-40.0)	8350 (2450)	7820 (2290)	7300 (2140)	6780 (1990)	6280 (1840)	5790 (1700)				

NOTES:

- Above ratings are based on mean temperature.
- To convert to dew point ratings, use 0.95 multiplier.
- Shaded Area Restriction: 20°F Max Superheat
- For R449A, use R448A data.

table continues on next page >>>

CAPACITY DATA - R448A
LOW TEMPERATURE (cont'd)

MODEL BES	SAT. SUCTION TEMPERATURE		CAPACITY BTU/H (WATTS) R448A AMBIENT TEMPERATURE °F (°C)											
	° F	° C	85	(29.4)	90	(32.2)	95	(35.0)	100	(37.8)	105	(40.6)	110	(43.3)
BESB039L8 Compressor Model 4EES-4	0	(-17.8)	35400	(10370)	33700	(9880)	32100	(9410)	30600	(8970)	29000	(8500)	27400	(8030)
	-5	(-20.6)	31300	(9170)	29800	(8730)	28400	(8320)	26900	(7880)	25500	(7470)	24000	(7030)
	-10	(-23.3)	27500	(8060)	26100	(7650)	24900	(7300)	23500	(6890)	22300	(6540)	21000	(6150)
	-15	(-26.1)	24000	(7030)	22800	(6680)	21600	(6330)	20500	(6010)	19300	(5660)	18200	(5330)
	-20	(-28.9)	20800	(6100)	19700	(5770)	18700	(5480)	17600	(5160)	16600	(4860)	15600	(4570)
	-25	(-31.7)	17900	(5250)	16900	(4950)	16000	(4690)	15000	(4400)	14100	(4130)	13200	(3870)
	-30	(-34.4)	15100	(4430)	14300	(4190)	13400	(3930)	12600	(3690)	11900	(3490)	11000	(3220)
	-35	(-37.2)	12700	(3720)	11900	(3490)	11100	(3250)	10400	(3050)	9710	(2850)	9020	(2640)
-40	(-40.0)	10400	(3050)	9710	(2850)	9050	(2650)	8410	(2460)	7770	(2280)	7140	(2090)	
BESB050L8 Compressor Model 4DES-5	0	(-17.8)	42500	(12460)	40500	(11870)	38600	(11310)	36600	(10730)	34800	(10200)	33000	(9670)
	-5	(-20.6)	37500	(10990)	35700	(10460)	34000	(9960)	32200	(9440)	30600	(8970)	28900	(8470)
	-10	(-23.3)	32900	(9640)	31300	(9170)	29700	(8700)	28100	(8240)	26700	(7820)	25100	(7360)
	-15	(-26.1)	28700	(8410)	27200	(7970)	25800	(7560)	24500	(7180)	23000	(6740)	21600	(6330)
	-20	(-28.9)	24800	(7270)	23500	(6890)	22300	(6540)	21000	(6150)	19700	(5770)	18600	(5450)
	-25	(-31.7)	21200	(6210)	20100	(5890)	19000	(5570)	17900	(5250)	16800	(4920)	15600	(4570)
	-30	(-34.4)	18000	(5280)	16900	(4950)	16000	(4690)	14900	(4370)	14000	(4100)	13000	(3810)
	-35	(-37.2)	15000	(4400)	14100	(4130)	13200	(3870)	12300	(3600)	11400	(3340)	10600	(3110)
-40	(-40.0)	12300	(3600)	11400	(3340)	10600	(3110)	9880	(2900)	9120	(2670)	8380	(2460)	
BESB060L8 Compressor Model 4CES-6	0	(-17.8)	51100	(14980)	48900	(14330)	46600	(13660)	44400	(13010)	42200	(12370)	40000	(11720)
	-5	(-20.6)	45400	(13310)	43300	(12690)	41300	(12100)	39300	(11520)	37300	(10930)	35300	(10350)
	-10	(-23.3)	40000	(11720)	38100	(11170)	36300	(10640)	34400	(10080)	32700	(9580)	30900	(9060)
	-15	(-26.1)	35100	(10290)	33400	(9790)	31700	(9290)	30100	(8820)	28500	(8350)	26900	(7880)
	-20	(-28.9)	30500	(8940)	29000	(8500)	27500	(8060)	26000	(7620)	24600	(7210)	23200	(6800)
	-25	(-31.7)	26300	(7710)	24900	(7300)	23600	(6920)	22400	(6560)	21100	(6180)	19800	(5800)
	-30	(-34.4)	22400	(6560)	21200	(6210)	20100	(5890)	18900	(5540)	17700	(5190)	16700	(4890)
	-35	(-37.2)	18800	(5510)	17900	(5250)	16800	(4920)	15800	(4630)	14800	(4340)	13800	(4040)
-40	(-40.0)	15500	(4540)	14700	(4310)	13800	(4040)	12800	(3750)	12000	(3520)	11100	(3250)	
BESB080L8 Compressor Model 4TES-9	0	(-17.8)	65300	(19140)	62300	(18260)	59300	(17380)	56300	(16500)	53300	(15620)	50400	(14770)
	-5	(-20.6)	57500	(16850)	54800	(16060)	52200	(15300)	49500	(14510)	46700	(13690)	44100	(12920)
	-10	(-23.3)	50400	(14770)	48000	(14070)	45600	(13360)	43200	(12660)	40700	(11930)	38300	(11220)
	-15	(-26.1)	43900	(12870)	41700	(12220)	39500	(11580)	37400	(10960)	35200	(10320)	33100	(9700)
	-20	(-28.9)	37900	(11110)	35900	(10520)	34000	(9960)	32000	(9380)	30100	(8820)	28200	(8260)
	-25	(-31.7)	32300	(9470)	30700	(9000)	28900	(8470)	27200	(7970)	25400	(7440)	23700	(6950)
	-30	(-34.4)	27400	(8030)	25800	(7560)	24300	(7120)	22700	(6650)	21200	(6210)	19600	(5740)
	-35	(-37.2)	22800	(6680)	21400	(6270)	20100	(5890)	18600	(5450)	17200	(5040)	15900	(4660)
-40	(-40.0)	18600	(5450)	17300	(5070)	16100	(4720)	14900	(4370)	13700	(4020)	12400	(3630)	
BESB100L8 Compressor Model 4PES-12	0	(-17.8)	71900	(21070)	68400	(20050)	64800	(18990)	61200	(17940)	57600	(16880)	54100	(15860)
	-5	(-20.6)	63300	(18550)	60100	(17610)	56800	(16650)	53600	(15710)	50300	(14740)	47100	(13800)
	-10	(-23.3)	55200	(16180)	52300	(15330)	49400	(14480)	46500	(13630)	43600	(12780)	40700	(11930)
	-15	(-26.1)	47900	(14040)	45300	(13280)	42600	(12480)	40000	(11720)	37400	(10960)	34900	(10230)
	-20	(-28.9)	41100	(12050)	38700	(11340)	36300	(10640)	34000	(9960)	31700	(9290)	29500	(8650)
	-25	(-31.7)	34900	(10230)	32800	(9610)	30700	(9000)	28600	(8380)	26600	(7800)	24600	(7210)
	-30	(-34.4)	29300	(8590)	27400	(8030)	25500	(7470)	23600	(6920)	21700	(6360)	20000	(5860)
	-35	(-37.2)	24000	(7030)	22400	(6560)	20700	(6070)	19000	(5570)	17400	(5100)	15800	(4630)
-40	(-40.0)	19400	(5690)	17900	(5250)	16400	(4810)	14800	(4340)	13300	(3900)	12000	(3520)	
BESB120L8 Compressor Model 4NES-14	0	(-17.8)	84300	(24710)	80200	(23500)	76100	(22300)	72000	(21100)	67900	(19900)	63800	(18700)
	-5	(-20.6)	74600	(21860)	71000	(20810)	67200	(19690)	63500	(18610)	59900	(17550)	56200	(16470)
	-10	(-23.3)	65600	(19230)	62300	(18260)	59000	(17290)	55700	(16320)	52400	(15360)	49000	(14360)
	-15	(-26.1)	57200	(16760)	54300	(15910)	51300	(15030)	48400	(14180)	45400	(13310)	42400	(12430)
	-20	(-28.9)	49600	(14540)	46900	(13740)	44300	(12980)	41700	(12220)	39000	(11430)	36300	(10640)
	-25	(-31.7)	42500	(12460)	40200	(11780)	37800	(11080)	35400	(10370)	33100	(9700)	30800	(9030)
	-30	(-34.4)	36000	(10550)	33900	(9940)	31800	(9320)	29700	(8700)	27600	(8090)	25500	(7470)
	-35	(-37.2)	30100	(8820)	28200	(8260)	26400	(7740)	24500	(7180)	22600	(6620)	20700	(6070)
-40	(-40.0)	24700	(7240)	23000	(6740)	21200	(6210)	19500	(5710)	17900	(5250)	16200	(4750)	

NOTES:

- Above ratings are based on mean temperature.
- To convert to dew point ratings, use 0.95 multiplier.
- Shaded Area Restriction: 20°F Max Superheat
- For R449A, use R448A data.

CAPACITY DATA - **R407C** HIGH / MEDIUM TEMPERATURE

MODEL	SATURATED SUCTION TEMPERATURE ° F ° C	CAPACITY BTU/H (WATTS) R407C AMBIENT TEMPERATURE ° F (° C)									
		85 (29.4)	90 (32.2)	95 (35.0)	100 (37.8)	105 (40.6)	110 (43.3)				
BESB010H8 Compressor Model 2KES-05	45 (7.2)	16200 (4750)	15400 (4510)	14800 (4340)	14200 (4160)	13500 (3960)	12900 (3780)	12400 (3630)	11800 (3460)	11200 (3280)	10700 (3140)
	40 (4.4)	14700 (4310)	14200 (4160)	13500 (3960)	12900 (3780)	12400 (3630)	11800 (3460)	11200 (3280)	10700 (3140)	10190 (2990)	9660 (2830)
	35 (1.7)	13300 (3900)	12800 (3750)	12300 (3600)	11800 (3460)	11200 (3280)	10700 (3140)	10190 (2990)	9660 (2830)	9140 (2680)	8720 (2560)
	30 (-1.1)	12100 (3550)	11700 (3430)	11100 (3250)	10600 (3110)	10190 (2990)	9660 (2830)	9140 (2680)	8720 (2560)	8190 (2400)	7770 (2280)
	25 (-3.9)	10900 (3190)	10500 (3080)	10080 (2950)	9560 (2800)	9140 (2680)	8720 (2560)	8190 (2400)	7770 (2280)	7350 (2150)	6930 (2030)
	20 (-6.7)	9770 (2860)	9350 (2740)	9030 (2650)	8610 (2520)	8190 (2400)	7770 (2280)	7350 (2150)	6930 (2030)	6510 (1910)	6200 (1820)
	15 (-9.4)	8720 (2560)	8400 (2460)	8090 (2370)	7670 (2250)	7350 (2150)	6930 (2030)	6510 (1910)	6200 (1820)	5890 (1730)	5580 (1640)
10 (-12.2)	7770 (2280)	7460 (2190)	7140 (2090)	6830 (2000)	6510 (1910)	6200 (1820)	5890 (1730)	5580 (1640)	5270 (1550)	4960 (1460)	
BESB015H8 Compressor Model 2JES-07	45 (7.2)	21800 (6390)	21000 (6150)	20200 (5920)	19300 (5660)	18500 (5420)	17700 (5180)	16900 (4950)	16200 (4750)	15300 (4480)	14600 (4280)
	40 (4.4)	20000 (5860)	19100 (5600)	18400 (5390)	17600 (5160)	16900 (4950)	16200 (4750)	15300 (4480)	14600 (4280)	13900 (4070)	13200 (3870)
	35 (1.7)	18100 (5300)	17400 (5100)	16700 (4890)	16000 (4690)	15300 (4480)	14600 (4280)	13900 (4070)	13200 (3870)	12500 (3660)	12000 (3520)
	30 (-1.1)	16400 (4810)	15800 (4630)	15100 (4430)	14500 (4250)	13900 (4070)	13200 (3870)	12500 (3660)	12000 (3520)	11200 (3280)	10700 (3140)
	25 (-3.9)	14700 (4310)	14200 (4160)	13700 (4020)	13000 (3810)	12500 (3660)	12000 (3520)	11200 (3280)	10700 (3140)	10080 (2950)	9560 (2800)
	20 (-6.7)	13200 (3870)	12700 (3720)	12300 (3600)	11800 (3460)	11200 (3280)	10700 (3140)	10080 (2950)	9560 (2800)	8930 (2620)	8510 (2490)
	15 (-9.4)	11900 (3490)	11400 (3340)	10900 (3190)	10500 (3080)	10080 (2950)	9560 (2800)	8930 (2620)	8510 (2490)	7900 (2300)	7480 (2170)
10 (-12.2)	10500 (3080)	10190 (2990)	9770 (2860)	9350 (2740)	8930 (2620)	8510 (2490)	7900 (2300)	7480 (2170)	6870 (2030)	6450 (1900)	
BESB020H8 Compressor Model 2HES-2	45 (7.2)	26400 (7740)	25400 (7440)	24400 (7150)	23400 (6860)	22400 (6560)	21400 (6270)	20500 (6010)	19600 (5740)	18700 (5480)	17900 (5250)
	40 (4.4)	24200 (7090)	23300 (6830)	22400 (6560)	21400 (6270)	20500 (6010)	19600 (5740)	18700 (5480)	17900 (5250)	17000 (5000)	16300 (4780)
	35 (1.7)	22100 (6480)	21200 (6210)	20400 (5980)	19500 (5710)	18700 (5480)	17900 (5250)	17000 (5000)	16300 (4780)	15400 (4510)	14700 (4310)
	30 (-1.1)	20100 (5890)	19300 (5660)	18500 (5420)	17700 (5190)	17000 (5000)	16300 (4780)	15400 (4510)	14700 (4310)	13900 (4070)	13300 (3900)
	25 (-3.9)	18200 (5330)	17400 (5100)	16800 (4920)	16100 (4720)	15400 (4510)	14700 (4310)	13900 (4070)	13300 (3900)	12500 (3660)	12000 (3520)
	20 (-6.7)	16400 (4810)	15800 (4630)	15100 (4430)	14500 (4250)	13900 (4070)	13300 (3900)	12500 (3660)	12000 (3520)	11200 (3280)	10700 (3140)
	15 (-9.4)	14700 (4310)	14200 (4160)	13700 (4020)	13000 (3810)	12500 (3660)	12000 (3520)	11200 (3280)	10700 (3140)	10080 (2950)	9560 (2800)
10 (-12.2)	13100 (3840)	12600 (3690)	12200 (3580)	11700 (3430)	11200 (3280)	10700 (3140)	10080 (2950)	9560 (2800)	8930 (2620)	8510 (2490)	
BESB025H8 Compressor Model 2GES-2	45 (7.2)	31300 (9170)	30100 (8820)	29000 (8500)	27700 (8120)	26600 (7800)	25400 (7440)	24400 (7150)	23300 (6830)	22300 (6540)	21200 (6210)
	40 (4.4)	28700 (8410)	27600 (8090)	26500 (7770)	25400 (7440)	24400 (7150)	23300 (6830)	22300 (6540)	21200 (6210)	20200 (5920)	19300 (5660)
	35 (1.7)	26100 (7650)	25100 (7360)	24200 (7090)	23200 (6800)	22300 (6540)	21200 (6210)	20200 (5920)	19300 (5660)	18300 (5360)	17500 (5130)
	30 (-1.1)	23700 (6950)	22900 (6710)	21900 (6420)	21100 (6180)	20200 (5920)	19300 (5660)	18300 (5360)	17500 (5130)	16500 (4840)	15800 (4630)
	25 (-3.9)	21400 (6270)	20700 (6070)	19800 (5800)	19100 (5600)	18300 (5360)	17500 (5130)	16500 (4840)	15800 (4630)	14800 (4340)	14200 (4160)
	20 (-6.7)	19300 (5660)	18700 (5480)	18000 (5280)	17200 (5040)	16500 (4840)	15800 (4630)	14800 (4340)	14200 (4160)	13200 (3870)	12700 (3720)
	15 (-9.4)	17300 (5070)	16700 (4890)	16100 (4720)	15400 (4510)	14800 (4340)	14200 (4160)	13200 (3870)	12700 (3720)	11700 (3430)	11200 (3280)
10 (-12.2)	15500 (4540)	15000 (4400)	14400 (4220)	13900 (4070)	13200 (3870)	12700 (3720)	11700 (3430)	11200 (3280)	10300 (2990)	9880 (2850)	
BESB029H8 Compressor Model 2FES-3	45 (7.2)	41200 (12070)	39700 (11630)	38100 (11170)	36600 (10730)	35100 (10290)	33600 (9850)	32000 (9380)	30700 (9000)	29100 (8530)	27800 (8150)
	40 (4.4)	37500 (10990)	36100 (10580)	34800 (10200)	33400 (9790)	32000 (9380)	30700 (9000)	29100 (8530)	27800 (8150)	26400 (7740)	25200 (7390)
	35 (1.7)	34100 (9990)	32900 (9640)	31600 (9260)	30300 (8880)	29100 (8530)	27800 (8150)	26400 (7740)	25200 (7390)	23800 (6980)	22800 (6680)
	30 (-1.1)	30900 (9060)	29700 (8700)	28700 (8410)	27500 (8060)	26400 (7740)	25200 (7390)	23800 (6980)	22800 (6680)	21400 (6270)	20500 (6010)
	25 (-3.9)	27800 (8150)	26900 (7880)	25800 (7560)	24800 (7270)	23800 (6980)	22800 (6680)	21400 (6270)	20500 (6010)	19200 (5630)	18400 (5390)
	20 (-6.7)	25000 (7330)	24200 (7090)	23200 (6800)	22400 (6560)	21400 (6270)	20500 (6010)	19200 (5630)	18400 (5390)	17100 (5010)	16400 (4810)
	15 (-9.4)	22500 (6590)	21600 (6330)	20800 (6100)	20100 (5890)	19200 (5630)	18400 (5390)	17100 (5010)	16400 (4810)	15100 (4430)	14400 (4220)
10 (-12.2)	20100 (5890)	19300 (5660)	18600 (5450)	17900 (5250)	17100 (5010)	16400 (4810)	15100 (4430)	14400 (4220)	13200 (3870)	12700 (3720)	
BESB030H8 Compressor Model 2EES-3	45 (7.2)	46400 (13600)	44600 (13070)	42700 (12510)	41000 (12020)	39200 (11490)	37400 (10960)	35700 (10460)	34000 (9960)	32300 (9460)	30900 (9060)
	40 (4.4)	42300 (12400)	40600 (11900)	39000 (11430)	37400 (10960)	35700 (10460)	34000 (9960)	32300 (9460)	30900 (9060)	29300 (8590)	27900 (8180)
	35 (1.7)	38400 (11250)	36900 (10810)	35400 (10370)	33900 (9940)	32400 (9500)	30900 (9060)	29300 (8590)	27900 (8180)	26500 (7770)	25200 (7390)
	30 (-1.1)	34800 (10200)	33400 (9790)	32000 (9380)	30700 (9000)	29300 (8590)	27900 (8180)	26500 (7770)	25200 (7390)	23700 (6950)	22600 (6620)
	25 (-3.9)	31300 (9170)	30100 (8820)	28900 (8470)	27600 (8090)	26500 (7770)	25200 (7390)	23700 (6950)	22600 (6620)	21200 (6210)	20200 (5920)
	20 (-6.7)	28100 (8240)	27000 (7910)	25900 (7590)	24800 (7270)	23700 (6950)	22600 (6620)	21200 (6210)	20200 (5920)	18800 (5510)	18000 (5280)
	15 (-9.4)	25100 (7360)	24200 (7090)	23100 (6770)	22200 (6510)	21200 (6210)	20200 (5920)	18800 (5510)	18000 (5280)	16800 (4940)	15800 (4630)
10 (-12.2)	22400 (6560)	21400 (6270)	20600 (6040)	19700 (5770)	18800 (5510)	18000 (5280)	16800 (4940)	15800 (4630)	14600 (4280)	13800 (4050)	
BESB035H8 Compressor Model 2DES-3	45 (7.2)	55800 (16350)	53600 (15710)	51500 (15090)	49200 (14420)	47100 (13800)	44900 (13160)	42900 (12570)	41000 (12020)	39000 (11430)	37200 (10900)
	40 (4.4)	50700 (14860)	48800 (14300)	46800 (13720)	44800 (13130)	42900 (12570)	41000 (12020)	39000 (11430)	37200 (10900)	35200 (10320)	33600 (9850)
	35 (1.7)	46100 (13510)	44300 (12980)	42500 (12460)	40700 (11930)	39000 (11430)	37200 (10900)	35200 (10320)	33600 (9850)	31700 (9290)	30200 (8850)
	30 (-1.1)	41700 (12220)	40100 (11750)	38400 (11250)	36900 (10810)	35200 (10320)	33600 (9850)	31700 (9290)	30200 (8850)	28500 (8350)	27200 (7970)
	25 (-3.9)	37600 (11020)	36100 (10580)	34700 (10170)	33200 (9730)	31700 (9290)	30200 (8850)	28500 (8350)	27200 (7970)	26000 (7600)	24300 (7120)
	20 (-6.7)	33700 (9880)	32400 (9500)	31100 (9110)	29800 (8730)	28500 (8350)	27200 (7970)	26000 (7600)	24300 (7120)	22600 (6620)	21500 (6300)
	15 (-9.4)	30100 (8820)	29000 (8500)	27800 (8150)	26600 (7800)	25400 (7440)	24300 (7120)	22600 (6620)	21500 (6300)	19900 (5900)	18800 (5510)
10 (-12.2)	26800 (7850)	25700 (7530)	24700 (7240)	23600 (6920)	22600 (6620)	21500 (6300)	19900 (5900)	18800 (5510)	17400 (5130)	16400 (4810)	
BESB040H8 Compressor Model 2CES-4	45 (7.2)	65400 (19170)	62900 (18430)	60400 (17700)	57900 (16970)	55300 (16210)	52700 (15440)	50600 (14830)	48200 (14130)	46100 (13510)	44000 (12900)
	40 (4.4)	59900 (17550)	57500 (16850)	55200 (16180)	52900 (15500)	50600 (14830)	48200 (14130)	46100 (13510)	44000 (12900)	41800 (12250)	39900 (11690)
	35 (1.7)	54500 (15970)	52400 (15360)	50300 (14740)	48200 (14130)	46100 (13510)	44000 (12900)	41800 (12250)	39900 (11690)	37800 (11080)	36100 (10580)
	30 (-1.1)	49500 (14510)	47600 (13950)	45700 (13390)	43700 (12810)	41800 (12250)	39900 (11690)	37800 (11080)	36100 (10580)	34000 (9960)	32400 (9500)
	25 (-3.9)	44700 (13100)	42900 (12570)	41300 (12100)	39600 (11610)	37800 (11080)	36100 (10580)	34000 (9960)	32400 (9500)	30600 (8970)	29200 (8560)
	20 (-6.7)	40200 (11780)	38700 (11340)	37200 (10900)	35600 (10430)	34000 (9960)	32400 (9500)	30600 (8970)	29200 (8560)	27200 (7970)	26000 (7620)
	15 (-9.4)	36100 (10580)	34700 (10170)	33300 (9760)	31900 (9350)	30600 (8970)	29200 (8560)	27200 (7970)	26000 (7620)	24300 (7120)	23000 (6800)
10 (-12.2)	32200 (9440)	31000 (9090)	29700 (8700)	28500 (8350)	27200 (7970)	26000 (7620)	24300 (7120)	23000 (6800)	21500 (6300)	20200 (5920)	

NOTES:

- Above ratings are based on mean temperature.
- To convert to dew point ratings, use 0.95 multiplier.

table continues on next page >>>

CAPACITY DATA - R407C
HIGH / MEDIUM TEMPERATURE (cont'd)

MODEL BES	SATURATED SUCTION TEMPERATURE ° F ° C	CAPACITY BTU/H (WATTS) R407C AMBIENT TEMPERATURE ° F (°C)									
		85 (29.4)	90 (32.2)	95 (35.0)	100 (37.8)	105 (40.6)	110 (43.3)				
BESB050H8 Compressor Model 4FES-5	45 (7.2)	73800 (21630)	70900 (20780)	67900 (19900)	65000 (19050)	62100 (18200)	59100 (17320)				
	40 (4.4)	67100 (19660)	64400 (18870)	61700 (18080)	59000 (17290)	56300 (16500)	53700 (15740)				
	35 (1.7)	60800 (17820)	58300 (17090)	55900 (16380)	53400 (15650)	50900 (14920)	48500 (14210)				
	30 (-1.1)	54800 (16060)	52600 (15420)	50400 (14770)	48100 (14100)	45900 (13450)	43700 (12810)				
	25 (-3.9)	49200 (14420)	47300 (13860)	45300 (13280)	43300 (12690)	41300 (12100)	39300 (11520)				
	20 (-6.7)	44100 (12920)	42200 (12370)	40400 (11840)	38600 (11310)	36900 (10810)	35100 (10290)				
	15 (-9.4)	39300 (11520)	37700 (11050)	36000 (10550)	34400 (10080)	32800 (9610)	31200 (9140)				
10 (-12.2)	34900 (10230)	33400 (9790)	31900 (9350)	30500 (8940)	29000 (8500)	27500 (8060)					
BESB060H8 Compressor Model 4EES-6	45 (7.2)	88600 (25970)	85100 (24940)	81500 (23890)	77900 (22830)	74300 (21780)	70800 (20750)				
	40 (4.4)	81000 (23740)	77600 (22740)	74300 (21780)	71000 (20810)	67700 (19840)	64500 (18900)				
	35 (1.7)	73500 (21540)	70600 (20690)	67500 (19780)	64500 (18900)	61500 (18020)	58500 (17140)				
	30 (-1.1)	66600 (19520)	63800 (18700)	61100 (17910)	58300 (17090)	55500 (16270)	52800 (15470)				
	25 (-3.9)	60000 (17580)	57500 (16850)	55000 (16120)	52500 (15390)	50100 (14680)	47600 (13950)				
	20 (-6.7)	53900 (15800)	51600 (15120)	49400 (14480)	47100 (13800)	44800 (13130)	42600 (12480)				
	15 (-9.4)	48100 (14100)	46100 (13510)	44000 (12900)	42000 (12310)	40000 (11720)	38000 (11140)				
10 (-12.2)	42700 (12510)	41000 (12020)	39100 (11460)	37300 (10930)	35500 (10400)	33700 (9880)					
BESB076H8 Compressor Model 4DES-7	45 (7.2)	110500 (32380)	106100 (31090)	101700 (29810)	97300 (28520)	93000 (27260)	88600 (25970)				
	40 (4.4)	100400 (29420)	96500 (28280)	92500 (27110)	88500 (25940)	84500 (24760)	80500 (23590)				
	35 (1.7)	91000 (26670)	87400 (25610)	83800 (24560)	80100 (23470)	76500 (22420)	73000 (21390)				
	30 (-1.1)	82200 (24090)	78900 (23120)	75600 (22160)	72300 (21190)	69100 (20250)	65800 (19280)				
	25 (-3.9)	73900 (21660)	71000 (20810)	68000 (19930)	65100 (19080)	62100 (18200)	59100 (17320)				
	20 (-6.7)	66300 (19430)	63500 (18610)	60900 (17850)	58300 (17090)	55500 (16270)	52900 (15500)				
	15 (-9.4)	59100 (17320)	56700 (16620)	54300 (15910)	51900 (15210)	49600 (14540)	47100 (13800)				
10 (-12.2)	52400 (15360)	50300 (14740)	48200 (14130)	46000 (13480)	43900 (12870)	41800 (12250)					
BESB090H8 Compressor Model 4CES-9	45 (7.2)	130000 (38100)	125000 (36630)	119800 (35110)	114800 (33640)	109600 (32120)	104500 (30630)				
	40 (4.4)	118800 (34820)	114100 (33440)	109400 (32060)	104800 (30710)	100100 (29340)	95400 (27960)				
	35 (1.7)	108000 (31650)	103800 (30420)	99500 (29160)	95300 (27930)	91000 (26670)	86800 (25440)				
	30 (-1.1)	98000 (28720)	94100 (27580)	90300 (26460)	86400 (25320)	82500 (24180)	78600 (23040)				
	25 (-3.9)	88500 (25940)	84900 (24880)	81500 (23890)	78000 (22860)	74600 (21860)	71000 (20810)				
	20 (-6.7)	79600 (23330)	76400 (22390)	73300 (21480)	70100 (20540)	67000 (19640)	63800 (18700)				
	15 (-9.4)	71200 (20870)	68400 (20050)	65600 (19230)	62800 (18400)	60000 (17580)	57100 (16730)				
10 (-12.2)	63400 (18580)	61000 (17880)	58500 (17140)	56000 (16410)	53300 (15620)	50800 (14890)					
BESB100H8 Compressor Model 4VES-10	45 (7.2)	135700 (39770)	130300 (38190)	125000 (36630)	119600 (35050)	114200 (33470)	108800 (31890)				
	40 (4.4)	123900 (36310)	119000 (34880)	113900 (33380)	109000 (31940)	104000 (30480)	99000 (29010)				
	35 (1.7)	112700 (33030)	108200 (31710)	103500 (30330)	98900 (28980)	94400 (27670)	89700 (26290)				
	30 (-1.1)	102100 (29920)	97900 (28690)	93700 (27460)	89500 (26230)	85300 (25000)	81100 (23770)				
	25 (-3.9)	92100 (26990)	88300 (25880)	84400 (24740)	80600 (23620)	76800 (22510)	72900 (21360)				
	20 (-6.7)	82700 (24240)	79300 (23240)	75800 (22210)	72300 (21190)	68800 (20160)	65300 (19140)				
	15 (-9.4)	74000 (21690)	70900 (20780)	67700 (19840)	64600 (18930)	61400 (17990)	58200 (17060)				
10 (-12.2)	65900 (19310)	63000 (18460)	60200 (17640)	57300 (16790)	54500 (15970)	51600 (15120)					
BESB121H8 Compressor Model 4TES-12	45 (7.2)	171000 (50110)	164500 (48210)	157900 (46280)	151400 (44370)	144800 (42440)	138200 (40500)				
	40 (4.4)	155700 (45630)	149700 (43870)	143600 (42080)	137700 (40360)	131600 (38570)	125500 (36780)				
	35 (1.7)	141200 (41380)	135800 (39800)	130200 (38160)	124700 (36550)	119200 (34930)	113500 (33260)				
	30 (-1.1)	127700 (37430)	122700 (35960)	117700 (34490)	112600 (33000)	107500 (31510)	102400 (30010)				
	25 (-3.9)	115100 (33730)	110600 (32410)	105900 (31040)	101300 (29690)	96700 (28340)	92100 (26990)				
	20 (-6.7)	103300 (30270)	99100 (29040)	95000 (27840)	90800 (26610)	86600 (25380)	82400 (24150)				
	15 (-9.4)	92300 (27050)	88600 (25970)	84800 (24850)	81100 (23770)	77300 (22650)	73400 (21510)				
10 (-12.2)	82100 (24060)	78800 (23090)	75400 (22100)	71900 (21070)	68600 (20100)	65100 (19080)					
BESB150H8 Compressor Model 4PES-15	45 (7.2)	191600 (56150)	184100 (53950)	176400 (51700)	168700 (49440)	161100 (47210)	153400 (44960)				
	40 (4.4)	174600 (51170)	167600 (49120)	160500 (47040)	153500 (44990)	146400 (42910)	139300 (40820)				
	35 (1.7)	158600 (46480)	152000 (44550)	145500 (42640)	139100 (40770)	132500 (38830)	126000 (36930)				
	30 (-1.1)	143300 (42000)	137400 (40270)	131500 (38540)	125600 (36810)	119600 (35050)	113600 (33290)				
	25 (-3.9)	129200 (37860)	123800 (36280)	118300 (34670)	112900 (33090)	107400 (31480)	102000 (29890)				
	20 (-6.7)	115800 (33940)	110900 (32500)	105900 (31040)	101000 (29600)	96100 (28160)	91100 (26700)				
	15 (-9.4)	103400 (30300)	99000 (29010)	94500 (27700)	90000 (26380)	85500 (25060)	81000 (23740)				
10 (-12.2)	91900 (26930)	87900 (25760)	83800 (24560)	79700 (23360)	75700 (22190)	71600 (20980)					
BESB200H8 Compressor Model 4NES-20	45 (7.2)	217500 (63740)	209000 (61250)	200300 (58700)	191700 (56180)	183100 (53660)	174500 (51140)				
	40 (4.4)	198900 (58290)	191000 (55980)	183000 (53630)	175000 (51290)	167100 (48970)	159100 (46630)				
	35 (1.7)	181200 (53100)	173900 (50960)	166500 (48800)	159200 (46660)	151800 (44490)	144500 (42350)				
	30 (-1.1)	164400 (48180)	157700 (46220)	151000 (44250)	144300 (42290)	137400 (40270)	130700 (38300)				
	25 (-3.9)	148600 (43550)	142500 (41760)	136300 (39950)	130200 (38160)	124000 (36340)	117800 (34520)				
	20 (-6.7)	133700 (39180)	128200 (37570)	122500 (35900)	117000 (34290)	111300 (32620)	105600 (30950)				
	15 (-9.4)	119800 (35110)	114800 (33640)	109700 (32150)	104600 (30660)	99400 (29130)	94400 (27670)				
10 (-12.2)	106800 (31300)	102200 (29950)	97700 (28630)	93000 (27260)	88400 (25910)	83800 (24560)					

NOTES:

- Above ratings are based on mean temperature.
- To convert to dew point ratings, use 0.95 multiplier.

MODEL BES	SATURATED SUCTION TEMPERATURE		CAPACITY BTU/H (WATTS) R404A R507 AMBIENT TEMPERATURE °F (°C)									
	° F	° C	85 (29.4)	90 (32.2)	95 (35.0)	100 (37.8)	105 (40.6)	110 (43.3)				
BESB010H8 Compressor Model 2KES-05	40 (4.4)		13500 (3960)	12800 (3750)	12100 (3550)	11500 (3370)	10800 (3170)	10100 (2960)				
	35 (1.7)		12400 (3630)	11800 (3460)	11100 (3250)	10500 (3080)	9900 (2900)	9300 (2730)				
	30 (-1.1)		11400 (3340)	10800 (3170)	10200 (2990)	9600 (2810)	9000 (2640)	8500 (2490)				
	25 (-3.9)		10400 (3050)	9800 (2870)	9300 (2730)	8700 (2550)	8200 (2400)	7700 (2260)				
	20 (-6.7)		9400 (2750)	8900 (2610)	8400 (2460)	7900 (2320)	7400 (2170)	6900 (2020)				
	15 (-9.4)		8500 (2490)	8100 (2370)	7600 (2230)	7100 (2080)	6700 (1960)	6300 (1850)				
	10 (-12.2)		7700 (2260)	7200 (2110)	6800 (1990)	6400 (1880)	6000 (1760)	5600 (1640)				
	5 (-15.0)		6900 (2020)	6500 (1900)	6100 (1790)	5700 (1670)	5300 (1550)	5000 (1470)				
	0 (-17.8)		6100 (1790)	5700 (1670)	5400 (1580)	5000 (1470)	4700 (1380)	4400 (1290)				
-5 (-20.6)		5400 (1580)	5000 (1470)	4700 (1380)	4400 (1290)	4100 (1200)	3800 (1110)					
BESB015H8 Compressor Model 2JES-07	40 (4.4)		18800 (5510)	17900 (5250)	17000 (4980)	16100 (4720)	15200 (4450)	14300 (4190)				
	35 (1.7)		17300 (5070)	16500 (4840)	15600 (4570)	14800 (4340)	14000 (4100)	13100 (3840)				
	30 (-1.1)		15800 (4630)	15100 (4430)	14300 (4190)	13500 (3960)	12700 (3720)	12000 (3520)				
	25 (-3.9)		14500 (4250)	13700 (4020)	13000 (3810)	12300 (3600)	11600 (3400)	10900 (3190)				
	20 (-6.7)		13100 (3840)	12500 (3660)	11800 (3460)	11100 (3250)	10500 (3080)	9900 (2900)				
	15 (-9.4)		11900 (3490)	11300 (3310)	10700 (3140)	10100 (2960)	9500 (2780)	8900 (2610)				
	10 (-12.2)		10700 (3140)	10100 (2960)	9600 (2810)	9000 (2640)	8500 (2490)	8000 (2340)				
	5 (-15.0)		9600 (2810)	9100 (2670)	8600 (2520)	8100 (2370)	7600 (2230)	7100 (2080)				
	0 (-17.8)		8500 (2490)	8100 (2370)	7600 (2230)	7200 (2110)	6700 (1960)	6300 (1850)				
-5 (-20.6)		7600 (2230)	7200 (2110)	6700 (1960)	6300 (1850)	5900 (1730)	5500 (1610)					
BESB020H8 Compressor Model 2HES-2	40 (4.4)		22800 (6680)	21700 (6360)	20600 (6040)	19500 (5710)	18400 (5390)	17300 (5070)				
	35 (1.7)		21000 (6150)	20000 (5860)	19000 (5570)	18000 (5280)	17000 (4980)	16000 (4690)				
	30 (-1.1)		19300 (5660)	18400 (5390)	17400 (5100)	16500 (4840)	15600 (4570)	14600 (4280)				
	25 (-3.9)		17700 (5190)	16800 (4920)	15900 (4660)	15100 (4430)	14200 (4160)	13400 (3930)				
	20 (-6.7)		16100 (4720)	15300 (4480)	14500 (4250)	13700 (4020)	13000 (3810)	12200 (3580)				
	15 (-9.4)		14700 (4310)	13900 (4070)	13200 (3870)	12500 (3660)	11700 (3430)	11000 (3220)				
	10 (-12.2)		13300 (3900)	12600 (3690)	11900 (3490)	11300 (3310)	10600 (3110)	9900 (2900)				
	5 (-15.0)		11900 (3490)	11300 (3310)	10700 (3140)	10100 (2960)	9500 (2780)	8900 (2610)				
	0 (-17.8)		10700 (3140)	10100 (2960)	9600 (2810)	9000 (2640)	8500 (2490)	8000 (2340)				
-5 (-20.6)		9500 (2780)	9000 (2640)	8500 (2490)	8000 (2340)	7500 (2200)	7000 (2050)					
BESB025H8 Compressor Model 2GES-2	40 (4.4)		26500 (7770)	25200 (7390)	24000 (7030)	22700 (6650)	21500 (6300)	20200 (5920)				
	35 (1.7)		24400 (7150)	23300 (6830)	22100 (6480)	20900 (6130)	19800 (5800)	18600 (5450)				
	30 (-1.1)		22500 (6590)	21400 (6270)	20300 (5950)	19200 (5630)	18200 (5330)	17100 (5010)				
	25 (-3.9)		20600 (6040)	19600 (5740)	18600 (5450)	17600 (5160)	16600 (4860)	15600 (4570)				
	20 (-6.7)		18800 (5510)	17900 (5250)	17000 (4980)	16000 (4690)	15100 (4430)	14200 (4160)				
	15 (-9.4)		17100 (5010)	16200 (4750)	15400 (4510)	14600 (4280)	13700 (4020)	12900 (3780)				
	10 (-12.2)		15500 (4540)	14700 (4310)	13900 (4070)	13200 (3870)	12400 (3630)	11700 (3430)				
	5 (-15.0)		14000 (4100)	13200 (3870)	12600 (3690)	11900 (3490)	11200 (3280)	10500 (3080)				
	0 (-17.8)		12500 (3660)	11900 (3490)	11300 (3310)	10600 (3110)	10000 (2930)	9400 (2750)				
-5 (-20.6)		11200 (3280)	10600 (3110)	10000 (2930)	9500 (2780)	8900 (2610)	8400 (2460)					

table continues on next page >>>

CAPACITY DATA - R404A R507
HIGH / MEDIUM TEMPERATURE (cont'd)

MODEL	SATURATED SUCTION TEMPERATURE		CAPACITY BTU/H (WATTS) R404A R507 AMBIENT TEMPERATURE °F (°C)									
	° F	° C	85 (29.4)	90 (32.2)	95 (35.0)	100 (37.8)	105 (40.6)	110 (43.3)				
BESB029H8 Compressor Model 2FES-3	40 (4.4)		34700 (10170)	33000 (9670)	31300 (9170)	29600 (8670)	27900 (8180)	26200 (7680)				
	35 (1.7)		31900 (9350)	30300 (8880)	28700 (8410)	27200 (7970)	25600 (7500)	24100 (7060)				
	30 (-1.1)		29300 (8590)	27800 (8150)	26300 (7710)	24900 (7300)	23400 (6860)	22000 (6450)				
	25 (-3.9)		26700 (7820)	25400 (7440)	24000 (7030)	22700 (6650)	21400 (6270)	20100 (5890)				
	20 (-6.7)		24300 (7120)	23100 (6770)	21900 (6420)	20700 (6070)	19500 (5710)	18300 (5360)				
	15 (-9.4)		22100 (6480)	20900 (6130)	19800 (5800)	18700 (5480)	17600 (5160)	16500 (4840)				
	10 (-12.2)		19900 (5830)	18900 (5540)	17900 (5250)	16900 (4950)	15900 (4660)	14900 (4370)				
	5 (-15.0)		17900 (5250)	17000 (4980)	16100 (4720)	15200 (4450)	14300 (4190)	13400 (3930)				
	0 (-17.8)		16000 (4690)	15200 (4450)	14400 (4220)	13500 (3960)	12700 (3720)	11900 (3490)				
	-5 (-20.6)		14300 (4190)	13500 (3960)	12800 (3750)	12000 (3520)	11300 (3310)	10600 (3110)				
BESB030H8 Compressor Model 2EES-3	40 (4.4)		42700 (12510)	40700 (11930)	38600 (11310)	36500 (10700)	34500 (10110)	32400 (9500)				
	35 (1.7)		39400 (11550)	37500 (10990)	35600 (10430)	33700 (9880)	31800 (9320)	29800 (8730)				
	30 (-1.1)		36200 (10610)	34500 (10110)	32700 (9580)	30900 (9060)	29200 (8560)	27400 (8030)				
	25 (-3.9)		33200 (9730)	31600 (9260)	30000 (8790)	28300 (8290)	26700 (7820)	25000 (7330)				
	20 (-6.7)		30300 (8880)	28800 (8440)	27300 (8000)	25800 (7560)	24300 (7120)	22800 (6680)				
	15 (-9.4)		27500 (8060)	26200 (7680)	24800 (7270)	23500 (6890)	22100 (6480)	20700 (6070)				
	10 (-12.2)		24900 (7300)	23700 (6950)	22500 (6590)	21200 (6210)	20000 (5860)	18700 (5480)				
	5 (-15.0)		22500 (6590)	21400 (6270)	20200 (5920)	19100 (5600)	18000 (5280)	16900 (4950)				
	0 (-17.8)		20100 (5890)	19100 (5600)	18100 (5300)	17100 (5010)	16100 (4720)	15100 (4430)				
	-5 (-20.6)		18000 (5280)	17100 (5010)	16200 (4750)	15300 (4480)	14300 (4190)	13400 (3930)				
BESB035H8 Compressor Model 2DES-3	40 (4.4)		51600 (15120)	49100 (14390)	46700 (13690)	44200 (12950)	41800 (12250)	39300 (11520)				
	35 (1.7)		47500 (13920)	45300 (13280)	43000 (12600)	40800 (11960)	38500 (11280)	36200 (10610)				
	30 (-1.1)		43700 (12810)	41600 (12190)	39600 (11610)	37500 (10990)	35300 (10350)	33200 (9730)				
	25 (-3.9)		40000 (11720)	38100 (11170)	36200 (10610)	34300 (10050)	32300 (9470)	30400 (8910)				
	20 (-6.7)		36500 (10700)	34800 (10200)	33000 (9670)	31300 (9170)	29500 (8650)	27700 (8120)				
	15 (-9.4)		33200 (9730)	31600 (9260)	30000 (8790)	28400 (8320)	26800 (7850)	25200 (7390)				
	10 (-12.2)		30100 (8820)	28700 (8410)	27200 (7970)	25700 (7530)	24300 (7120)	22800 (6680)				
	5 (-15.0)		27100 (7940)	25800 (7560)	24500 (7180)	23200 (6800)	21800 (6390)	20500 (6010)				
	0 (-17.8)		24300 (7120)	23200 (6800)	22000 (6450)	20800 (6100)	19600 (5740)	18400 (5390)				
	-5 (-20.6)		21700 (6360)	20700 (6070)	19600 (5740)	18500 (5420)	17500 (5130)	16400 (4810)				
BESB040H8 Compressor Model 2CES-4	40 (4.4)		60300 (17670)	57400 (16820)	54500 (15970)	51600 (15120)	48700 (14270)	45700 (13390)				
	35 (1.7)		55800 (16350)	53100 (15560)	50400 (14770)	47800 (14010)	45000 (13190)	42300 (12400)				
	30 (-1.1)		51500 (15090)	49000 (14360)	46600 (13660)	44100 (12920)	41600 (12190)	39000 (11430)				
	25 (-3.9)		47300 (13860)	45100 (13220)	42800 (12540)	40500 (11870)	38200 (11200)	35900 (10520)				
	20 (-6.7)		43400 (12720)	41300 (12100)	39200 (11490)	37100 (10870)	35000 (10260)	32900 (9640)				
	15 (-9.4)		39600 (11610)	37700 (11050)	35800 (10490)	33900 (9940)	32000 (9380)	30000 (8790)				
	10 (-12.2)		36000 (10550)	34300 (10050)	32600 (9550)	30800 (9030)	29100 (8530)	27300 (8000)				
	5 (-15.0)		32600 (9550)	31100 (9110)	29500 (8650)	27900 (8180)	26300 (7710)	24700 (7240)				
	0 (-17.8)		29400 (8620)	28000 (8210)	26600 (7800)	25200 (7390)	23700 (6950)	22300 (6540)				
	-5 (-20.6)		26300 (7710)	25100 (7360)	23800 (6980)	22600 (6620)	21300 (6240)	20000 (5860)				
BESB050H8 Compressor Model 4FES-5	40 (4.4)		69900 (20490)	66600 (19520)	63200 (18520)	59900 (17550)	56500 (16560)	53100 (15560)				
	35 (1.7)		64300 (18840)	61200 (17940)	58200 (17060)	55100 (16150)	51900 (15210)	48800 (14300)				
	30 (-1.1)		58900 (17260)	56100 (16440)	53300 (15620)	50500 (14800)	47600 (13950)	44700 (13100)				
	25 (-3.9)		53800 (15770)	51300 (15030)	48700 (14270)	46100 (13510)	43500 (12750)	40900 (11990)				
	20 (-6.7)		49000 (14360)	46700 (13690)	44400 (13010)	42000 (12310)	39600 (11610)	37200 (10900)				
	15 (-9.4)		44500 (13040)	42400 (12430)	40300 (11810)	38100 (11170)	36000 (10550)	33800 (9910)				
	10 (-12.2)		40100 (11750)	38300 (11220)	36400 (10670)	34500 (10110)	32600 (9550)	30600 (8970)				
	5 (-15.0)		36100 (10580)	34500 (10110)	32800 (9610)	31100 (9110)	29300 (8590)	27600 (8090)				
	0 (-17.8)		32300 (9470)	30900 (9060)	29400 (8620)	27900 (8180)	26300 (7710)	24800 (7270)				
	-5 (-20.6)		28800 (8440)	27600 (8090)	26200 (7680)	24900 (7300)	23500 (6890)	22100 (6480)				

--- Outside Operating Range

table continues on next page >>>

CAPACITY DATA - R404A R507
HIGH / MEDIUM TEMPERATURE (cont'd)

MODEL BES	SATURATED SUCTION TEMPERATURE		CAPACITY BTU/H (WATTS) R404A R507 AMBIENT TEMPERATURE °F (°C)									
	° F	° C	85 (29.4)	90 (32.2)	95 (35.0)	100 (37.8)	105 (40.6)	110 (43.3)				
BESB060H8 Compressor Model 4EES-6	40 (4.4)	83300 (24410)	79300 (23240)	75200 (22040)	71200 (20870)	67200 (19690)	63100 (18490)					
	35 (1.7)	76800 (22510)	73100 (21420)	69400 (20340)	65700 (19250)	61900 (18140)	58200 (17060)					
	30 (-1.1)	70600 (20690)	67200 (19690)	63800 (18700)	60400 (17700)	56900 (16680)	53500 (15680)					
	25 (-3.9)	64700 (18960)	61600 (18050)	58500 (17140)	55300 (16210)	52200 (15300)	49000 (14360)					
	20 (-6.7)	59100 (17320)	56200 (16470)	53400 (15650)	50500 (14800)	47600 (13950)	44700 (13100)					
	15 (-9.4)	53700 (15740)	51100 (14980)	48500 (14210)	45900 (13450)	43300 (12690)	40700 (11930)					
	10 (-12.2)	48600 (14240)	46300 (13570)	44000 (12900)	41600 (12190)	39200 (11490)	36900 (10810)					
	5 (-15.0)	43800 (12840)	41800 (12250)	39700 (11630)	37500 (10990)	35400 (10370)	33300 (9760)					
0 (-17.8)	39400 (11550)	37500 (10990)	35600 (10430)	33700 (9880)	31800 (9320)	29900 (8760)						
-5 (-20.6)	35100 (10290)	33500 (9820)	31800 (9320)	30100 (8820)	28400 (8320)	26700 (7820)						
BESB076H8 Compressor Model 4DES-7	40 (4.4)	105300 (30860)	100600 (29480)	95800 (28080)	91100 (26700)	86300 (25290)	81500 (23890)					
	35 (1.7)	96800 (28370)	92500 (27110)	88100 (25820)	83700 (24530)	79300 (23240)	74800 (21920)					
	30 (-1.1)	88800 (26020)	84700 (24820)	80700 (23650)	76700 (22480)	72600 (21280)	68500 (20080)					
	25 (-3.9)	81100 (23770)	77400 (22680)	73700 (21600)	70000 (20510)	66300 (19430)	62500 (18320)					
	20 (-6.7)	73800 (21630)	70500 (20660)	67100 (19660)	63700 (18670)	60300 (17670)	56900 (16680)					
	15 (-9.4)	67000 (19640)	64000 (18760)	60900 (17850)	57800 (16940)	54700 (16030)	51600 (15120)					
	10 (-12.2)	60500 (17730)	57800 (16940)	55000 (16120)	52200 (15300)	49400 (14480)	46600 (13660)					
	5 (-15.0)	54500 (15970)	52000 (15240)	49600 (14540)	47000 (13770)	44500 (13040)	42000 (12310)					
0 (-17.8)	48900 (14330)	46700 (13690)	44400 (13010)	42200 (12370)	39900 (11690)	37600 (11020)						
-5 (-20.6)	43600 (12780)	41600 (12190)	39600 (11610)	37600 (11020)	35600 (10430)	33600 (9850)						
BESB090H8 Compressor Model 4CES-9	40 (4.4)	122300 (35840)	116900 (34260)	111400 (32650)	106000 (31070)	100500 (29450)	95000 (27840)					
	35 (1.7)	112700 (33030)	107700 (31560)	102600 (30070)	97500 (28570)	92400 (27080)	87300 (25590)					
	30 (-1.1)	103500 (30330)	98800 (28960)	94100 (27580)	89500 (26230)	84800 (24850)	80000 (23450)					
	25 (-3.9)	94700 (27750)	90400 (26490)	86100 (25230)	81800 (23970)	77500 (22710)	73100 (21420)					
	20 (-6.7)	86400 (25320)	82500 (24180)	78500 (23010)	74600 (21860)	70600 (20690)	66600 (19520)					
	15 (-9.4)	78600 (23040)	75000 (21980)	71300 (20900)	67700 (19840)	64100 (18790)	60400 (17700)					
	10 (-12.2)	71100 (20840)	67900 (19900)	64600 (18930)	61300 (17970)	57900 (16970)	54600 (16000)					
	5 (-15.0)	64200 (18820)	61200 (17940)	58200 (17060)	55200 (16180)	52200 (15300)	49200 (14420)					
0 (-17.8)	57600 (16880)	54900 (16090)	52200 (15300)	49500 (14510)	46800 (13720)	44100 (12920)						
-5 (-20.6)	51500 (15090)	49100 (14390)	46600 (13660)	44200 (12950)	41800 (12250)	39400 (11550)						
BESB100H8 Compressor Model 4VES-10	40 (4.4)	127700 (37430)	121700 (35670)	115700 (33910)	109800 (32180)	103800 (30420)	97800 (28660)					
	35 (1.7)	117600 (34470)	112000 (32820)	106400 (31180)	100900 (29570)	95300 (27930)	89800 (26320)					
	30 (-1.1)	107900 (31620)	102700 (30100)	97500 (28570)	92400 (27080)	87300 (25590)	82100 (24060)					
	25 (-3.9)	98600 (28900)	93800 (27490)	89100 (26110)	84300 (24710)	79600 (23330)	74800 (21920)					
	20 (-6.7)	89800 (26320)	85400 (25030)	81000 (23740)	76600 (22450)	72300 (21190)	68000 (19930)					
	15 (-9.4)	81400 (23860)	77400 (22680)	73400 (21510)	69400 (20340)	65400 (19170)	61400 (17990)					
	10 (-12.2)	73500 (21540)	69800 (20460)	66200 (19400)	62500 (18320)	58900 (17260)	55300 (16210)					
	5 (-15.0)	66000 (19340)	62700 (18380)	59400 (17410)	56100 (16440)	52800 (15470)	49500 (14510)					
0 (-17.8)	59000 (17290)	56000 (16410)	53000 (15530)	50100 (14680)	47100 (13800)	44100 (12920)						
-5 (-20.6)	52500 (15390)	49800 (14590)	47100 (13800)	44400 (13010)	41700 (12220)	39100 (11460)						
BESB121H8 Compressor Model 4TES-12	40 (4.4)	162700 (47680)	155300 (45510)	147900 (43350)	140500 (41180)	133100 (39010)	125700 (36840)					
	35 (1.7)	149400 (43780)	142500 (41760)	135700 (39770)	128800 (37750)	122000 (35750)	115100 (33730)					
	30 (-1.1)	136700 (40060)	130300 (38190)	124000 (36340)	117700 (34490)	111300 (32620)	105000 (30770)					
	25 (-3.9)	124600 (36520)	118800 (34820)	112900 (33090)	107100 (31390)	101300 (29690)	95500 (27990)					
	20 (-6.7)	113200 (33180)	107800 (31590)	102500 (30040)	97200 (28490)	91900 (26930)	86500 (25350)					
	15 (-9.4)	102400 (30010)	97500 (28570)	92700 (27170)	87800 (25730)	83000 (24320)	78100 (22890)					
	10 (-12.2)	92300 (27050)	87900 (25760)	83400 (24440)	79000 (23150)	74600 (21860)	70200 (20570)					
	5 (-15.0)	82800 (24270)	78800 (23090)	74800 (21920)	70800 (20750)	66800 (19580)	62900 (18430)					
0 (-17.8)	74000 (21690)	70400 (20630)	66800 (19580)	63200 (18520)	59600 (17470)	56000 (16410)						
-5 (-20.6)	65700 (19250)	62500 (18320)	59300 (17380)	56000 (16410)	52800 (15470)	49600 (14540)						
BESB150H8 Compressor Model 4PES-15	40 (4.4)	181300 (53130)	172800 (50640)	164300 (48150)	155800 (45660)	147300 (43170)	138800 (40680)					
	35 (1.7)	166600 (48830)	158600 (46480)	150700 (44170)	142800 (41850)	134900 (39540)	127100 (37250)					
	30 (-1.1)	152500 (44690)	145100 (42520)	137800 (40390)	130500 (38250)	123200 (36110)	115900 (33970)					
	25 (-3.9)	139000 (40740)	132300 (38770)	125500 (36780)	118800 (34820)	112100 (32850)	105400 (30890)					
	20 (-6.7)	126300 (37010)	120100 (35200)	113900 (33380)	107700 (31560)	101500 (29750)	95400 (27960)					
	15 (-9.4)	114300 (33500)	108600 (31830)	102900 (30160)	97300 (28520)	91600 (26850)	86000 (25200)					
	10 (-12.2)	102900 (30160)	97700 (28630)	92600 (27140)	87400 (25610)	82300 (24120)	77200 (22630)					
	5 (-15.0)	92300 (27050)	87600 (25670)	82900 (24300)	78200 (22920)	73600 (21570)	68900 (20190)					
0 (-17.8)	82300 (24120)	78000 (22860)	73800 (21630)	69600 (20400)	65400 (19170)	61200 (17940)						
-5 (-20.6)	73000 (21390)	69100 (20250)	65300 (19140)	61600 (18050)	57800 (16940)	54000 (15830)						
BESB200H8 Compressor Model 4NES-20	40 (4.4)	205500 (60230)	195900 (57410)	186300 (54600)	176700 (51790)	167100 (48970)	157600 (46190)					
	35 (1.7)	189600 (55570)	180600 (52930)	171700 (50320)	162800 (47710)	153900 (45100)	145000 (42500)					
	30 (-1.1)	174300 (51080)	166000 (48650)	157700 (46220)	149500 (43810)	141200 (41380)	133000 (38980)					
	25 (-3.9)	159600 (46770)	152000 (44550)	144400 (42320)	136800 (40090)	129100 (37840)	121500 (35610)					
	20 (-6.7)	145700 (42700)	138600 (40620)	131700 (38600)	124700 (36550)	117700 (34490)	110700 (32440)					
	15 (-9.4)	132400 (38800)	126000 (36930)	119600 (35050)	113200 (33180)	106800 (31300)	100400 (29420)					
	10 (-12.2)	119800 (35110)	114000 (33410)	108200 (31710)	102300 (29980)	96500 (28280)	90700 (26580)					
	5 (-15.0)	108000 (31650)	102700 (30100)	97400 (28550)	92100 (26990)	86900 (25470)	81600 (23910)					
0 (-17.8)	96800 (28370)	92100 (26990)	87300 (25590)	82500 (24180)	77800 (22800)	73100 (21420)						
-5 (-20.6)	86400 (25320)	82100 (24060)	77800 (22800)	73600 (21570)	69300 (20310)	65100 (19080)						

CAPACITY DATA - R404A R507
LOW TEMPERATURE

MODEL BES	SAT. SUCTION TEMPERATURE		CAPACITY BTU/H (WATTS) R404A R507 AMBIENT TEMPERATURE °F (°C)											
	° F	° C	85 (29.4)	90 (32.2)	95 (35.0)	100 (37.8)	105 (40.6)	110 (43.3)						
BESB010L6 Compressor Model 2HES-1	0	(-17.8)	9700	(2840)	9100	(2670)	8600	(2520)	8100	(2370)	7600	(2230)	7100	(2080)
	-5	(-20.6)	8700	(2550)	8200	(2400)	7700	(2260)	7200	(2110)	6800	(1990)	6300	(1850)
	-10	(-23.3)	7700	(2260)	7300	(2140)	6800	(1990)	6400	(1880)	6000	(1760)	5500	(1610)
	-15	(-26.1)	6800	(1990)	6400	(1880)	6000	(1760)	5600	(1640)	5200	(1520)	4800	(1410)
	-20	(-28.9)	6000	(1760)	5600	(1640)	5200	(1520)	4900	(1440)	4500	(1320)	4200	(1230)
	-25	(-31.7)	5200	(1520)	4800	(1410)	4500	(1320)	4200	(1230)	3900	(1140)	3500	(1030)
	-30	(-34.4)	4400	(1290)	4100	(1200)	3800	(1110)	3500	(1030)	3200	(940)	3000	(880)
	-35	(-37.2)	3700	(1080)	3500	(1030)	3200	(940)	2900	(850)	2700	(790)	2400	(700)
	-40	(-40.0)	3100	(910)	2800	(820)	2600	(760)	2300	(670)	2100	(620)	1900	(560)
BESB015L6 Compressor Model 2FES-2	0	(-17.8)	14400	(4220)	13600	(3990)	12800	(3750)	12100	(3550)	11300	(3310)	10600	(3110)
	-5	(-20.6)	12900	(3780)	12200	(3580)	11500	(3370)	10800	(3170)	10100	(2960)	9500	(2780)
	-10	(-23.3)	11500	(3370)	10900	(3190)	10300	(3020)	9600	(2810)	9000	(2640)	8400	(2460)
	-15	(-26.1)	10200	(2990)	9600	(2810)	9000	(2640)	8500	(2490)	7900	(2320)	7400	(2170)
	-20	(-28.9)	9000	(2640)	8400	(2460)	7900	(2320)	7400	(2170)	6900	(2020)	6400	(1880)
	-25	(-31.7)	7800	(2290)	7300	(2140)	6900	(2020)	6400	(1880)	6000	(1760)	5500	(1610)
	-30	(-34.4)	6700	(1960)	6300	(1850)	5900	(1730)	5500	(1610)	5100	(1490)	4700	(1380)
	-35	(-37.2)	5700	(1670)	5300	(1550)	4900	(1440)	4600	(1350)	4200	(1230)	3900	(1140)
	-40	(-40.0)	4700	(1380)	4400	(1290)	4000	(1170)	3700	(1080)	3400	(1000)	3100	(910)
BESB020L6 Compressor Model 2EES-2	0	(-17.8)	17700	(5190)	16800	(4920)	15900	(4660)	14900	(4370)	13900	(4070)	13000	(3810)
	-5	(-20.6)	16000	(4690)	15100	(4430)	14300	(4190)	13400	(3930)	12500	(3660)	11700	(3430)
	-10	(-23.3)	14300	(4190)	13500	(3960)	12800	(3750)	12000	(3520)	11200	(3280)	10400	(3050)
	-15	(-26.1)	12700	(3720)	12000	(3520)	11300	(3310)	10600	(3110)	9900	(2900)	9200	(2700)
	-20	(-28.9)	11200	(3280)	10600	(3110)	10000	(2930)	9300	(2730)	8700	(2550)	8100	(2370)
	-25	(-31.7)	9800	(2870)	9200	(2700)	8600	(2520)	8100	(2370)	7500	(2200)	7000	(2050)
	-30	(-34.4)	8400	(2460)	7900	(2320)	7400	(2170)	6900	(2020)	6400	(1880)	5900	(1730)
	-35	(-37.2)	7200	(2110)	6700	(1960)	6300	(1850)	5800	(1700)	5300	(1550)	4900	(1440)
	-40	(-40.0)	6000	(1760)	5600	(1640)	5200	(1520)	4800	(1410)	4300	(1260)	3900	(1140)
BESB025L6 Compressor Model 2DES-2	0	(-17.8)	21500	(6300)	20400	(5980)	19300	(5660)	18100	(5300)	17000	(4980)	15800	(4630)
	-5	(-20.6)	19400	(5690)	18400	(5390)	17400	(5100)	16300	(4780)	15300	(4480)	14300	(4190)
	-10	(-23.3)	17400	(5100)	16500	(4840)	15500	(4540)	14600	(4280)	13700	(4020)	12800	(3750)
	-15	(-26.1)	15500	(4540)	14600	(4280)	13800	(4040)	13000	(3810)	12100	(3550)	11300	(3310)
	-20	(-28.9)	13600	(3990)	12900	(3780)	12200	(3580)	11400	(3340)	10700	(3140)	9900	(2900)
	-25	(-31.7)	11900	(3490)	11300	(3310)	10600	(3110)	9900	(2900)	9300	(2730)	8600	(2520)
	-30	(-34.4)	10300	(3020)	9700	(2840)	9100	(2670)	8500	(2490)	7900	(2320)	7300	(2140)
	-35	(-37.2)	8800	(2580)	8300	(2430)	7700	(2260)	7200	(2110)	6700	(1960)	6100	(1790)
	-40	(-40.0)	7400	(2170)	6900	(2020)	6400	(1880)	5900	(1730)	5500	(1610)	5000	(1470)

table continues on next page >>>

CAPACITY DATA - R404A **R507**

LOW TEMPERATURE (cont'd)

60Hz

MODEL	SAT. SUCTION TEMPERATURE		CAPACITY BTU/H (WATTS)								AMBIENT TEMPERATURE °F (°C)			
	BES	° F ° C	85 (29.4)		90 (32.2)		95 (35.0)		100 (37.8)				105 (40.6)	
BESB030L6 Compressor Model 2CES-3	0	(-17.8)	28300	(8290)	26900	(7880)	25500	(7470)	24100	(7060)	22700	(6650)	21200	(6210)
	-5	(-20.6)	25400	(7440)	24200	(7090)	22900	(6710)	21600	(6330)	20400	(5980)	19100	(5600)
	-10	(-23.3)	22700	(6650)	21600	(6330)	20500	(6010)	19300	(5660)	18200	(5330)	17000	(4980)
	-15	(-26.1)	20200	(5920)	19200	(5630)	18200	(5330)	17200	(5040)	16100	(4720)	15100	(4430)
	-20	(-28.9)	17800	(5220)	16900	(4950)	16000	(4690)	15100	(4430)	14200	(4160)	13200	(3870)
	-25	(-31.7)	15600	(4570)	14800	(4340)	14000	(4100)	13200	(3870)	12300	(3600)	11500	(3370)
	-30	(-34.4)	13500	(3960)	12800	(3750)	12100	(3550)	11300	(3310)	10600	(3110)	9900	(2900)
	-35	(-37.2)	11500	(3370)	10900	(3190)	10300	(3020)	9600	(2810)	9000	(2640)	8300	(2430)
	-40	(-40.0)	9700	(2840)	9100	(2670)	8600	(2520)	8000	(2340)	7400	(2170)	6800	(1990)
BESB031L6 Compressor Model 4FES-3	0	(-17.8)	29800	(8730)	28400	(8320)	26900	(7880)	25400	(7440)	23900	(7000)	22400	(6560)
	-5	(-20.6)	26800	(7850)	25500	(7470)	24200	(7090)	22900	(6710)	21500	(6300)	20200	(5920)
	-10	(-23.3)	23900	(7000)	22800	(6680)	21600	(6330)	20500	(6010)	19300	(5660)	18100	(5300)
	-15	(-26.1)	21300	(6240)	20300	(5950)	19200	(5630)	18200	(5330)	17100	(5010)	16100	(4720)
	-20	(-28.9)	18800	(5510)	17900	(5250)	17000	(4980)	16100	(4720)	15200	(4450)	14200	(4160)
	-25	(-31.7)	16500	(4840)	15700	(4600)	14900	(4370)	14100	(4130)	13300	(3900)	12500	(3660)
	-30	(-34.4)	14400	(4220)	13700	(4020)	13000	(3810)	12300	(3600)	11600	(3400)	10800	(3170)
	-35	(-37.2)	12400	(3630)	11800	(3460)	11200	(3280)	10600	(3110)	9900	(2900)	9300	(2730)
	-40	(-40.0)	10600	(3110)	10100	(2960)	9600	(2810)	9000	(2640)	8400	(2460)	7800	(2290)
BESB039L6 Compressor Model 4EES-4	0	(-17.8)	37800	(11080)	36000	(10550)	34200	(10020)	32300	(9470)	30400	(8910)	28600	(8380)
	-5	(-20.6)	34000	(9960)	32400	(9500)	30700	(9000)	29000	(8500)	27400	(8030)	25700	(7530)
	-10	(-23.3)	30400	(8910)	28900	(8470)	27500	(8060)	26000	(7620)	24500	(7180)	23000	(6740)
	-15	(-26.1)	27000	(7910)	25700	(7530)	24400	(7150)	23100	(6770)	21800	(6390)	20400	(5980)
	-20	(-28.9)	23900	(7000)	22700	(6650)	21600	(6330)	20400	(5980)	19200	(5630)	18000	(5280)
	-25	(-31.7)	20900	(6130)	19900	(5830)	18900	(5540)	17900	(5250)	16800	(4920)	15800	(4630)
	-30	(-34.4)	18200	(5330)	17400	(5100)	16400	(4810)	15500	(4540)	14600	(4280)	13700	(4020)
	-35	(-37.2)	15700	(4600)	15000	(4400)	14200	(4160)	13400	(3930)	12500	(3660)	11700	(3430)
	-40	(-40.0)	13500	(3960)	12800	(3750)	12000	(3520)	11300	(3310)	10600	(3110)	9900	(2900)
BESB050L6 Compressor Model 4DES-5	0	(-17.8)	46300	(13570)	44100	(12920)	41900	(12280)	39700	(11630)	37500	(10990)	35200	(10320)
	-5	(-20.6)	41500	(12160)	39500	(11580)	37500	(10990)	35600	(10430)	33600	(9850)	31600	(9260)
	-10	(-23.3)	37000	(10840)	35300	(10350)	33500	(9820)	31700	(9290)	29900	(8760)	28100	(8240)
	-15	(-26.1)	32800	(9610)	31300	(9170)	29700	(8700)	28100	(8240)	26500	(7770)	24900	(7300)
	-20	(-28.9)	29000	(8500)	27600	(8090)	26200	(7680)	24800	(7270)	23400	(6860)	22000	(6450)
	-25	(-31.7)	25400	(7440)	24200	(7090)	22900	(6710)	21700	(6360)	20400	(5980)	19200	(5630)
	-30	(-34.4)	22100	(6480)	21000	(6150)	19900	(5830)	18800	(5510)	17700	(5190)	16600	(4860)
	-35	(-37.2)	19000	(5570)	18100	(5300)	17100	(5010)	16100	(4720)	15200	(4450)	14200	(4160)
	-40	(-40.0)	16200	(4750)	15400	(4510)	14500	(4250)	13700	(4020)	12800	(3750)	12000	(3520)
BESB060L6 Compressor Model 4CES-6	0	(-17.8)	53900	(15800)	51300	(15030)	48700	(14270)	46100	(13510)	43500	(12750)	40900	(11990)
	-5	(-20.6)	48400	(14180)	46100	(13510)	43700	(12810)	41300	(12100)	39000	(11430)	36600	(10730)
	-10	(-23.3)	43300	(12690)	41100	(12050)	39000	(11430)	36900	(10810)	34800	(10200)	32700	(9580)
	-15	(-26.1)	38500	(11280)	36500	(10700)	34600	(10140)	32700	(9580)	30800	(9030)	28900	(8470)
	-20	(-28.9)	34000	(9960)	32200	(9440)	30500	(8940)	28800	(8440)	27100	(7940)	25400	(7440)
	-25	(-31.7)	29800	(8730)	28200	(8260)	26700	(7820)	25200	(7390)	23700	(6950)	22200	(6510)
	-30	(-34.4)	25900	(7590)	24500	(7180)	23200	(6800)	21800	(6390)	20500	(6010)	19100	(5600)
	-35	(-37.2)	22300	(6540)	21100	(6180)	19900	(5830)	18700	(5480)	17500	(5130)	16300	(4780)
	-40	(-40.0)	19000	(5570)	17900	(5250)	16800	(4920)	15700	(4600)	14700	(4310)	13700	(4020)
BESB080L6 Compressor Model 4TES-9	0	(-17.8)	69600	(20400)	66100	(19370)	62700	(18380)	59200	(17350)	55800	(16350)	52300	(15330)
	-5	(-20.6)	62200	(18230)	59100	(17320)	55900	(16380)	52800	(15470)	49700	(14570)	46600	(13660)
	-10	(-23.3)	55300	(16210)	52400	(15360)	49600	(14540)	46800	(13720)	44000	(12900)	41200	(12070)
	-15	(-26.1)	48800	(14300)	46300	(13570)	43700	(12810)	41200	(12070)	38700	(11340)	36200	(10610)
	-20	(-28.9)	42800	(12540)	40500	(11870)	38300	(11220)	36000	(10550)	33800	(9910)	31600	(9260)
	-25	(-31.7)	37200	(10900)	35200	(10320)	33200	(9730)	31200	(9140)	29200	(8560)	27300	(8000)
	-30	(-34.4)	32100	(9410)	30300	(8880)	28500	(8350)	26700	(7820)	25000	(7330)	23200	(6800)
	-35	(-37.2)	27400	(8030)	25800	(7560)	24200	(7090)	22600	(6620)	21100	(6180)	19500	(5710)
	-40	(-40.0)	23000	(6740)	21600	(6330)	20200	(5920)	18800	(5510)	17500	(5130)	16100	(4720)
BESB100L6 Compressor Model 4PES-12	0	(-17.8)	77000	(22570)	72900	(21360)	68800	(20160)	64800	(18990)	60800	(17820)	56700	(16620)
	-5	(-20.6)	68700	(20130)	65000	(19050)	61300	(17970)	57700	(16910)	54000	(15830)	50400	(14770)
	-10	(-23.3)	60900	(17850)	57600	(16880)	54300	(15910)	51000	(14950)	47700	(13980)	44400	(13010)
	-15	(-26.1)	53600	(15710)	50700	(14860)	47700	(13980)	44700	(13100)	41700	(12220)	38800	(11370)
	-20	(-28.9)	46900	(13740)	44200	(12950)	41500	(12160)	38900	(11400)	36200	(10610)	33600	(9850)
	-25	(-31.7)	40600	(11900)	38200	(11200)	35800	(10490)	33400	(9790)	31100	(9110)	28800	(8440)
	-30	(-34.4)	34800	(10200)	32700	(9580)	30500	(8940)	28400	(8320)	26300	(7710)	24300	(7120)
	-35	(-37.2)	29500	(8650)	27600	(8090)	25700	(7530)	23800	(6980)	21900	(6420)	20100	(5890)
	-40	(-40.0)	24600	(7210)	22900	(6710)	21200	(6210)	19500	(5710)	17800	(5220)	16200	(4750)
BESB120L6 Compressor Model 4NES-14	0	(-17.8)	89000	(26080)	84400	(24740)	79800	(23390)	75200	(22040)	70600	(20690)	66000	(19340)
	-5	(-20.6)	79900	(23420)	75800	(22210)	71600	(20980)	67400	(19750)	63300	(18550)	59100	(17320)
	-10	(-23.3)	71400	(20930)	67600	(19810)	63900	(18730)	60100	(17610)	56300	(16500)	52600	(15420)
	-15	(-26.1)	63300	(18550)	59900	(17550)	56600	(16590)	53200	(15590)	49800	(14590)	46400	(13600)
	-20	(-28.9)	55800	(16350)	52700	(15440)	49700	(14570)	46700	(13690)	43700	(12810)	40600	(11900)
	-25	(-31.7)	48700	(14270)	46000	(13480)	43300	(12690)	40600	(11900)	37900	(11110)	35200	(10320)
	-30	(-34.4)	42200	(12370)	39800	(11660)	37400	(10960)	34900	(10230)	32500	(9520)	30100	(8820)
	-35	(-37.2)	36100	(10580)	34000	(9960)	31800	(9320)	29700	(8700)	27500	(8060)	25400	(7440)
	-40	(-40.0)	30600	(8970)	28600	(8380)	26700	(7820)	24700	(7240)	22800	(6680)	20900	(6130)

CAPACITY DATA - R22
HIGH / MEDIUM TEMPERATURE

MODEL BES	SATURATED SUCTION TEMPERATURE		CAPACITY BTU/H (WATTS) R22 AMBIENT TEMPERATURE °F (°C)							
	° F	° C	85 (29.4)	90 (32.2)	95 (35.0)	100 (37.8)	105 (40.6)	110 (43.3)		
BESB010H8 Compressor Model 2KES-05	45 (7.2)		15500 (4540)	14900 (4370)	14300 (4190)	13800 (4040)	13300 (3900)	12700 (3720)		
	40 (4.4)		14000 (4100)	13500 (3960)	13000 (3810)	12400 (3630)	11900 (3490)	11500 (3370)		
	35 (1.7)		12600 (3690)	12100 (3550)	11700 (3430)	11200 (3280)	10700 (3140)	10300 (3020)		
	30 (-1.1)		11400 (3340)	10900 (3190)	10500 (3080)	10000 (2930)	9600 (2810)	9200 (2700)		
	25 (-3.9)		10200 (2990)	9800 (2870)	9300 (2730)	8900 (2610)	8500 (2490)	8200 (2400)		
	20 (-6.7)		9100 (2670)	8700 (2550)	8300 (2430)	8000 (2340)	7600 (2230)	7300 (2140)		
	15 (-9.4)		8100 (2370)	7700 (2260)	7400 (2170)	7000 (2050)	6700 (1960)	6400 (1880)		
	10 (-12.2)		7200 (2110)	6800 (1990)	6500 (1900)	6200 (1820)	5900 (1730)	5700 (1670)		
5 (-15.0)		6300 (1850)	6000 (1760)	5700 (1670)	5500 (1610)	5200 (1520)	5000 (1470)			
BESB015H8 Compressor Model 2JES-07	45 (7.2)		20000 (5860)	19200 (5630)	18500 (5420)	17800 (5220)	17100 (5010)	16400 (4810)		
	40 (4.4)		18200 (5330)	17500 (5130)	16900 (4950)	16200 (4750)	15600 (4570)	14900 (4370)		
	35 (1.7)		16600 (4860)	15900 (4660)	15300 (4480)	14700 (4310)	14100 (4130)	13500 (3960)		
	30 (-1.1)		15000 (4400)	14400 (4220)	13900 (4070)	13300 (3900)	12800 (3750)	12200 (3580)		
	25 (-3.9)		13500 (3960)	13000 (3810)	12500 (3660)	12000 (3520)	11500 (3370)	11000 (3220)		
	20 (-6.7)		12200 (3580)	11700 (3430)	11200 (3280)	10800 (3170)	10300 (3020)	9800 (2870)		
	15 (-9.4)		10900 (3190)	10500 (3080)	10000 (2930)	9600 (2810)	9200 (2700)	8800 (2580)		
	10 (-12.2)		9700 (2840)	9300 (2730)	8900 (2610)	8500 (2490)	8200 (2400)	7800 (2290)		
5 (-15.0)		8600 (2520)	8300 (2430)	7900 (2320)	7600 (2230)	7200 (2110)	6900 (2020)			
BESB020H8 Compressor Model 2HES-2	45 (7.2)		24100 (7060)	23300 (6830)	22500 (6590)	21600 (6330)	20800 (6100)	20100 (5890)		
	40 (4.4)		22200 (6510)	21400 (6270)	20600 (6040)	19800 (5800)	19100 (5600)	18400 (5390)		
	35 (1.7)		20300 (5950)	19600 (5740)	18800 (5510)	18100 (5300)	17500 (5130)	16800 (4920)		
	30 (-1.1)		18500 (5420)	17900 (5250)	17200 (5040)	16500 (4840)	15900 (4660)	15300 (4480)		
	25 (-3.9)		16900 (4950)	16200 (4750)	15600 (4570)	15000 (4400)	14400 (4220)	13900 (4070)		
	20 (-6.7)		15300 (4480)	14700 (4310)	14100 (4130)	13600 (3990)	13100 (3840)	12500 (3660)		
	15 (-9.4)		13800 (4040)	13300 (3900)	12800 (3750)	12300 (3600)	11800 (3460)	11300 (3310)		
	10 (-12.2)		12400 (3630)	11900 (3490)	11500 (3370)	11000 (3220)	10600 (3110)	10100 (2960)		
5 (-15.0)		11100 (3250)	10700 (3140)	10300 (3020)	9800 (2870)	9400 (2750)	9000 (2640)			
BESB025H8 Compressor Model 2GES-2	45 (7.2)		28400 (8320)	27500 (8060)	26600 (7800)	25700 (7530)	24800 (7270)	23900 (7000)		
	40 (4.4)		26100 (7650)	25200 (7390)	24400 (7150)	23500 (6890)	22700 (6650)	21900 (6420)		
	35 (1.7)		23900 (7000)	23100 (6770)	22300 (6540)	21500 (6300)	20800 (6100)	20000 (5860)		
	30 (-1.1)		21900 (6420)	21100 (6180)	20400 (5980)	19600 (5740)	18900 (5540)	18200 (5330)		
	25 (-3.9)		19900 (5830)	19200 (5630)	18500 (5420)	17900 (5250)	17200 (5040)	16600 (4860)		
	20 (-6.7)		18100 (5300)	17400 (5100)	16800 (4920)	16200 (4750)	15600 (4570)	15000 (4400)		
	15 (-9.4)		16400 (4810)	15800 (4630)	15200 (4450)	14600 (4280)	14100 (4130)	13500 (3960)		
	10 (-12.2)		14800 (4340)	14200 (4160)	13700 (4020)	13200 (3870)	12700 (3720)	12200 (3580)		
5 (-15.0)		13300 (3900)	12800 (3750)	12300 (3600)	11800 (3460)	11300 (3310)	10900 (3190)			

table continues on next page >>>

CAPACITY DATA - **R22** HIGH / MEDIUM TEMPERATURE (cont'd)

MODEL BES	SATURATED SUCTION TEMPERATURE		CAPACITY BTU/H (WATTS) R22 AMBIENT TEMPERATURE °F (°C)												
	° F	° C	85 (29.4)	90 (32.2)	95 (35.0)	100 (37.8)	105 (40.6)	110 (43.3)							
BESB029H8 Compressor Model 2FES-3	45 (7.2)	36700 (10760)	35500 (10400)	34200 (10020)	33000 (9670)	31800 (9320)	30500 (8940)	40 (4.4)	33600 (9850)	32500 (9520)	31300 (9170)	30200 (8850)	29000 (8500)	27900 (8180)	
	35 (1.7)	30700 (9000)	29600 (8670)	28600 (8380)	27500 (8060)	26500 (7770)	25400 (7440)	30 (-1.1)	28000 (8210)	27000 (7910)	26000 (7620)	25000 (7330)	24000 (7030)	23100 (6770)	
	25 (-3.9)	25400 (7440)	24500 (7180)	23600 (6920)	22700 (6650)	21800 (6390)	20900 (6130)	20 (-6.7)	23000 (6740)	22100 (6480)	21300 (6240)	20500 (6010)	19700 (5770)	18800 (5510)	
	15 (-9.4)	20700 (6070)	20000 (5860)	19200 (5630)	18400 (5390)	17700 (5190)	17000 (4980)	10 (-12.2)	18600 (5450)	17900 (5250)	17200 (5040)	16500 (4840)	15900 (4660)	15200 (4450)	
	5 (-15.0)	16700 (4890)	16000 (4690)	15400 (4510)	14800 (4340)	14200 (4160)	13600 (3990)								
BESB030H8 Compressor Model 2EES-3	45 (7.2)	44800 (13130)	43300 (12690)	41800 (12250)	40400 (11840)	39000 (11430)	37600 (11020)	40 (4.4)	41000 (12020)	39700 (11630)	38300 (11220)	37000 (10840)	35700 (10460)	34400 (10080)	
	35 (1.7)	37500 (10990)	36200 (10610)	35000 (10260)	33700 (9880)	32500 (9520)	31300 (9170)	30 (-1.1)	34100 (9990)	33000 (9670)	31800 (9320)	30700 (9000)	29600 (8670)	28500 (8350)	
	25 (-3.9)	31000 (9090)	29900 (8760)	28800 (8440)	27800 (8150)	26800 (7850)	25800 (7560)	20 (-6.7)	28000 (8210)	27000 (7910)	26000 (7620)	25100 (7360)	24100 (7060)	23200 (6800)	
	15 (-9.4)	25300 (7410)	24300 (7120)	23400 (6860)	22600 (6620)	21700 (6360)	20900 (6130)	10 (-12.2)	22700 (6650)	21800 (6390)	21000 (6150)	20200 (5920)	19400 (5690)	18600 (5450)	
	5 (-15.0)	20200 (5920)	19500 (5710)	18700 (5480)	18000 (5280)	17300 (5070)	16600 (4860)								
BESB035H8 Compressor Model 2DES-3	45 (7.2)	53800 (15770)	52000 (15240)	50300 (14740)	48600 (14240)	46900 (13740)	45300 (13280)	40 (4.4)	49300 (14450)	47700 (13980)	46100 (13510)	44500 (13040)	42900 (12570)	41400 (12130)	
	35 (1.7)	45000 (13190)	43500 (12750)	42000 (12310)	40600 (11900)	39100 (11460)	37700 (11050)	30 (-1.1)	41000 (12020)	39600 (11610)	38200 (11200)	36900 (10810)	35600 (10430)	34300 (10050)	
	25 (-3.9)	37200 (10900)	35900 (10520)	34700 (10170)	33400 (9790)	32200 (9440)	31000 (9090)	20 (-6.7)	33700 (9880)	32500 (9520)	31300 (9170)	30200 (8850)	29100 (8530)	28000 (8210)	
	15 (-9.4)	30400 (8910)	29300 (8590)	28200 (8260)	27200 (7970)	26200 (7680)	25200 (7390)	10 (-12.2)	27300 (8000)	26300 (7710)	25300 (7410)	24300 (7120)	23400 (6860)	22500 (6590)	
	5 (-15.0)	24400 (7150)	23500 (6890)	22600 (6620)	21700 (6360)	20900 (6130)	20000 (5860)								
BESB040H8 Compressor Model 2CES-4	45 (7.2)	63700 (18670)	61600 (18050)	59600 (17470)	57700 (16910)	55700 (16320)	53800 (15770)	40 (4.4)	58500 (17140)	56600 (16590)	54800 (16060)	52900 (15500)	51100 (14980)	49300 (14450)	
	35 (1.7)	53600 (15710)	51800 (15180)	50100 (14680)	48400 (14180)	46700 (13690)	45100 (13220)	30 (-1.1)	49000 (14360)	47300 (13860)	45700 (13390)	44200 (12950)	42600 (12480)	41100 (12050)	
	25 (-3.9)	44600 (13070)	43100 (12630)	41600 (12190)	40100 (11750)	38700 (11340)	37400 (10960)	20 (-6.7)	40400 (11840)	39000 (11430)	37700 (11050)	36400 (10670)	35100 (10290)	33800 (9910)	
	15 (-9.4)	36500 (10700)	35300 (10350)	34000 (9960)	32800 (9610)	31600 (9260)	30500 (8940)	10 (-12.2)	32900 (9640)	31700 (9290)	30600 (8970)	29500 (8650)	28400 (8320)	27400 (8030)	
	5 (-15.0)	29500 (8650)	28400 (8320)	27400 (8030)	26400 (7740)	25400 (7440)	24500 (7180)								
BESB050H8 Compressor Model 4FES-5	45 (7.2)	71800 (21040)	69400 (20340)	67000 (19640)	64600 (18930)	62300 (18260)	60100 (17610)	40 (4.4)	65700 (19250)	63400 (18580)	61200 (17940)	59000 (17290)	56900 (16680)	54800 (16060)	
	35 (1.7)	59900 (17550)	57800 (16940)	55800 (16350)	53800 (15770)	51800 (15180)	49800 (14590)	30 (-1.1)	54500 (15970)	52600 (15420)	50700 (14860)	48800 (14300)	46900 (13740)	45100 (13220)	
	25 (-3.9)	49400 (14480)	47600 (13950)	45800 (13420)	44100 (12920)	42400 (12430)	40800 (11960)	20 (-6.7)	44600 (13070)	43000 (12600)	41300 (12100)	39700 (11630)	38200 (11200)	36700 (10760)	
	15 (-9.4)	40100 (11750)	38600 (11310)	37100 (10870)	35700 (10460)	34200 (10020)	32900 (9640)	10 (-12.2)	36000 (10550)	34600 (10140)	33200 (9730)	31900 (9350)	30600 (8970)	29300 (8590)	
	5 (-15.0)	32100 (9410)	30800 (9030)	29500 (8650)	28300 (8290)	27100 (7940)	26000 (7620)								
BESB060H8 Compressor Model 4EES-6	45 (7.2)	87400 (25610)	84500 (24760)	81600 (23910)	78800 (23090)	76000 (22270)	73200 (21450)	40 (4.4)	80200 (23500)	77500 (22710)	74800 (21920)	72100 (21130)	69500 (20370)	67000 (19640)	
	35 (1.7)	73400 (21510)	70800 (20750)	68300 (20020)	65900 (19310)	63500 (18610)	61100 (17910)	30 (-1.1)	66900 (19610)	64500 (18900)	62200 (18230)	59900 (17550)	57700 (16910)	55600 (16290)	
	25 (-3.9)	60800 (17820)	58600 (17170)	56500 (16560)	54400 (15940)	52300 (15330)	50300 (14740)	20 (-6.7)	55000 (16120)	53000 (15530)	51100 (14980)	49100 (14390)	47200 (13830)	45400 (13310)	
	15 (-9.4)	49700 (14570)	47800 (14010)	46000 (13480)	44200 (12950)	42500 (12460)	40800 (11960)	10 (-12.2)	44600 (13070)	42900 (12570)	41200 (12070)	39600 (11610)	38000 (11140)	36500 (10700)	
	5 (-15.0)	39900 (11690)	38400 (11250)	36800 (10780)	35300 (10350)	33900 (9940)	32500 (9520)								

table continues on next page >>>

CAPACITY DATA - R22 HIGH / MEDIUM TEMPERATURE (cont'd)

MODEL	SATURATED SUCTION TEMPERATURE		CAPACITY BTU/H (WATTS) R22 AMBIENT TEMPERATURE °F (°C)											
	° F	° C	85	(29.4)	90	(32.2)	95	(35.0)	100	(37.8)	105	(40.6)	110	(43.3)
BESB076H8 Compressor Model 4DES-7	45	(7.2)	107900	(31620)	104400	(30600)	100900	(29570)	97400	(28550)	94000	(27550)	90700	(26580)
	40	(4.4)	98900	(28980)	95600	(28020)	92300	(27050)	89100	(26110)	86000	(25200)	82900	(24300)
	35	(1.7)	90300	(26460)	87200	(25560)	84200	(24680)	81200	(23800)	78300	(22950)	75500	(22130)
	30	(-1.1)	82200	(24090)	79400	(23270)	76600	(22450)	73800	(21630)	71100	(20840)	68500	(20080)
	25	(-3.9)	74600	(21860)	72000	(21100)	69400	(20340)	66900	(19610)	64400	(18870)	62000	(18170)
	20	(-6.7)	67500	(19780)	65100	(19080)	62700	(18380)	60400	(17700)	58100	(17030)	55900	(16380)
	15	(-9.4)	60800	(17820)	58600	(17170)	56400	(16530)	54300	(15910)	52200	(15300)	50200	(14710)
	10	(-12.2)	54600	(16000)	52600	(15420)	50600	(14830)	48600	(14240)	46700	(13690)	44900	(13160)
	5	(-15.0)	48800	(14300)	47000	(13770)	45100	(13220)	43300	(12690)	41600	(12190)	40000	(11720)
BESB090H8 Compressor Model 4CES-9	45	(7.2)	127800	(37450)	123600	(36220)	119500	(35020)	115500	(33850)	111500	(32680)	107700	(31560)
	40	(4.4)	117400	(34410)	113500	(33260)	109700	(32150)	105900	(31040)	102300	(29980)	98700	(28930)
	35	(1.7)	107500	(31510)	103900	(30450)	100300	(29390)	96900	(28400)	93500	(27400)	90100	(26410)
	30	(-1.1)	98100	(28750)	94800	(27780)	91500	(26820)	88300	(25880)	85200	(24970)	82100	(24060)
	25	(-3.9)	89300	(26170)	86200	(25260)	83200	(24380)	80200	(23500)	77400	(22680)	74500	(21830)
	20	(-6.7)	81000	(23740)	78200	(22920)	75400	(22100)	72700	(21310)	70000	(20510)	67400	(19750)
	15	(-9.4)	73200	(21450)	70600	(20690)	68000	(19930)	65600	(19230)	63100	(18490)	60800	(17820)
	10	(-12.2)	65900	(19310)	63500	(18610)	61200	(17940)	58900	(17260)	56700	(16620)	54600	(16000)
	5	(-15.0)	59100	(17320)	56900	(16680)	54800	(16060)	52700	(15440)	50700	(14860)	48800	(14300)
BESB100H8 Compressor Model 4VES-10	45	(7.2)	138700	(40650)	134400	(39390)	130100	(38130)	125800	(36870)	121500	(35610)	117200	(34350)
	40	(4.4)	127100	(37250)	123100	(36080)	119100	(34900)	115100	(33730)	111100	(32560)	107100	(31390)
	35	(1.7)	116000	(34000)	112300	(32910)	108600	(31830)	104900	(30740)	101200	(29660)	97500	(28570)
	30	(-1.1)	105600	(30950)	102200	(29950)	98700	(28930)	95300	(27930)	91900	(26930)	88400	(25910)
	25	(-3.9)	95800	(28080)	92600	(27140)	89400	(26200)	86300	(25290)	83100	(24350)	79900	(23420)
	20	(-6.7)	86600	(25380)	83600	(24500)	80700	(23650)	77800	(22800)	74800	(21920)	71900	(21070)
	15	(-9.4)	77900	(22830)	75200	(22040)	72500	(21250)	69800	(20460)	67100	(19660)	64400	(18870)
	10	(-12.2)	69800	(20460)	67300	(19720)	64800	(18990)	62300	(18260)	59800	(17530)	57400	(16820)
	5	(-15.0)	62200	(18230)	59900	(17550)	57600	(16880)	55300	(16210)	53100	(15560)	50800	(14890)
BESB121H8 Compressor Model 4TES-12	45	(7.2)	173200	(50760)	168000	(49240)	162800	(47710)	157600	(46190)	152400	(44660)	147200	(43140)
	40	(4.4)	158400	(46420)	153600	(45020)	148700	(43580)	143900	(42170)	139100	(40770)	134300	(39360)
	35	(1.7)	144400	(42320)	139900	(41000)	135500	(39710)	131000	(38390)	126500	(37070)	122100	(35780)
	30	(-1.1)	131300	(38480)	127100	(37250)	123000	(36050)	118900	(34850)	114800	(33640)	110600	(32410)
	25	(-3.9)	118900	(34850)	115100	(33730)	111300	(32620)	107500	(31510)	103700	(30390)	99900	(29280)
	20	(-6.7)	107400	(31480)	103800	(30420)	100300	(29390)	96800	(28370)	93300	(27340)	89800	(26320)
	15	(-9.4)	96500	(28280)	93300	(27340)	90100	(26410)	86900	(25470)	83600	(24500)	80400	(23560)
	10	(-12.2)	86400	(25320)	83500	(24470)	80500	(23590)	77500	(22710)	74600	(21860)	71600	(20980)
	5	(-15.0)	77000	(22570)	74300	(21780)	71600	(20980)	68900	(20190)	66100	(19370)	63400	(18580)
BESB150H8 Compressor Model 4PES-15	45	(7.2)	195400	(57270)	189300	(55480)	183200	(53690)	177100	(51900)	171000	(50110)	165000	(48360)
	40	(4.4)	178800	(52400)	173100	(50730)	167400	(49060)	161800	(47420)	156100	(45750)	150500	(44110)
	35	(1.7)	163100	(47800)	157800	(46250)	152500	(44690)	147300	(43170)	142000	(41620)	136800	(40090)
	30	(-1.1)	148200	(43430)	143300	(42000)	138500	(40590)	133600	(39150)	128700	(37720)	123900	(36310)
	25	(-3.9)	134300	(39360)	129700	(38010)	125200	(36690)	120700	(35370)	116200	(34050)	111700	(32740)
	20	(-6.7)	121200	(35520)	117000	(34290)	112800	(33060)	108700	(31860)	104500	(30630)	100400	(29420)
	15	(-9.4)	108900	(31920)	105000	(30770)	101200	(29660)	97300	(28520)	93500	(27400)	89700	(26290)
	10	(-12.2)	97400	(28550)	93800	(27490)	90300	(26460)	86800	(25440)	83300	(24410)	79800	(23390)
	5	(-15.0)	86700	(25410)	83400	(24440)	80200	(23500)	76900	(22540)	73700	(21600)	70400	(20630)
BESB200H8 Compressor Model 4NES-20	45	(7.2)	222800	(65300)	215900	(63270)	209000	(61250)	202200	(59260)	195300	(57240)	188400	(55210)
	40	(4.4)	204400	(59900)	198000	(58030)	191500	(56120)	185100	(54250)	178700	(52370)	172300	(50500)
	35	(1.7)	186900	(54770)	180900	(53020)	174900	(51260)	169000	(49530)	163000	(47770)	157100	(46040)
	30	(-1.1)	170300	(49910)	164800	(48300)	159200	(46660)	153700	(45040)	148200	(43430)	142700	(41820)
	25	(-3.9)	154600	(45310)	149500	(43810)	144400	(42320)	139300	(40820)	134200	(39330)	129100	(37840)
	20	(-6.7)	139900	(41000)	135200	(39620)	130400	(38220)	125700	(36840)	121000	(35460)	116400	(34110)
	15	(-9.4)	126000	(36930)	121700	(35670)	117300	(34380)	113000	(33120)	108700	(31860)	104400	(30600)
	10	(-12.2)	113000	(33120)	109000	(31940)	105000	(30770)	101000	(29600)	97100	(28460)	93100	(27280)
	5	(-15.0)	100800	(29540)	97200	(28490)	93500	(27400)	89800	(26320)	86200	(25260)	82500	(24180)

MODEL BES	COMPRESSOR MODEL NO.	POWER SUPPLY	COMPRESSOR		CONDENSER FAN MOTOR			MCA	MOP	
			RLA	LRA	QTY	WATTS	FLA			
BESA008H2-*	S2B	KAN2-0075-CAV	208-230/1/60	6.1	36	1	130	0.5	8.1	15
	T3B	KAN1-0075-TAC	208-230/3/60	3.5	19.9	1	130	0.5	4.9	15
BESA010H2-*	S2B	KAR2-0100-CAV	208-230/1/60	7.4	40	1	130	0.5	9.8	15
	T3B	KAR1-0100-TAC	208-230/3/60	4.3	27	1	130	0.5	5.9	15
BESA015H2-*	S2B	KAGB-0150-CAV	208-230/1/60	9.6	55	1	240	1.1	13.1	20
	T3B	KAGA-0150-TAC	208-230/3/60	5.5	35.5	1	240	1.1	8.0	15
	T4B	KAGA-0150-TAD	460/3/60	2.5	18.2	1	240	0.6	3.7	15
BESA020H2-*	S2B	KAKB-0200-CAV	208-230/1/60	10.6	55	1	240	1.1	14.4	25
	T3B	KAKA-0200-TAC	208-230/3/60	6.8	50	1	240	1.1	9.6	15
	T4B	KAKA-0200-TAD	460/3/60	3.0	25	1	240	0.6	4.4	15
BESA030H2-*	S3A	ERF2-0310-CAB	230/1/60	17.0	86	1	400	2.1	23.4	40
	T3B	ERF1-0310-TAC	208-230/3/60	11.7	82	1	400	2.1	16.7	25
	T4B	ERF1-0310-TAD	460/3/60	6.4	41	1	400	0.9	8.9	15
BESA008M2-*	S2B	KAE2-0075-CAV	208-230/1/60	5.4	36	1	130	0.5	7.3	15
	T3B	KAE1-0075-TAC	208-230/3/60	3.4	19.9	1	130	0.5	4.8	15
BESA010M2-*	S2B	KAM2-0100-CAV	208-230/1/60	7.5	40	1	130	0.5	9.9	15
	T3B	KAM1-0100-TAC	208-230/3/60	4.5	27	1	130	0.5	6.1	15
BESA021M2-*	S3A	ERC2-0200-CAB	230/1/60	10.9	58	1	240	1.1	14.7	25
	T3B	ERC1-0200-TAC	208-230/3/60	6.8	46	1	240	1.1	9.6	15
	T4B	ERC1-0200-TAD	460/3/60	3.6	23	1	240	0.6	5.1	15
	T5B	ERC1-0200-TAE	575/3/60	3.2	20	1	240	0.5	4.5	15
BESA010M6-*	S2B	KARB-010E-CAV	208-230/1/60	7.1	40	1	130	0.5	9.4	15
	T3B	KARA-010E-TAC	208-230/3/60	4.3	27	1	130	0.5	5.9	15
BESA020M6-*	S2B	KAKB-021E-CAV	208-230/1/60	10.1	55	1	240	1.1	13.7	20
	T3B	KAKA-020E-TAC	208-230/3/60	6.5	50	1	240	1.1	9.2	15
	T4B	KAKA-022E-TAD	460/3/60	3.0	25	1	240	0.6	4.4	15
BESA021M6-*	T3B	ERCA-021E-TAC	208-230/3/60	8.8	46	1	240	1.1	12.1	20
	T4B	ERCA-020E-TAD	460/3/60	3.5	23	1	240	0.6	5.0	15
	T5B	ERCA-020E-TAE	575/3/60	3.1	20	1	240	0.5	4.4	15
BESA030M6-*	S3A	ERFB-031E-CAB	230/1/60	17.0	86	1	400	2.1	23.4	40
	T3B	ERFA-031E-TAC	208-230/3/60	12.4	82	1	400	2.1	17.6	30
	T4B	ERFA-031E-TAD	460/3/60	5.8	41	1	400	1.1	8.4	15
	T5B	ERFA-031E-TAE	575/3/60	5.2	30	1	400	0.9	7.4	15
BESA050H8-*	T3B	2DC3R53KE-TFC	208-230/3/60	22.3	120	1	400	2.1	30.0	50
	T4B	2DC3R53KE-TFD	460/3/60	10.4	60	1	400	1.1	14.1	20
	T5B	2DC3R53KE-TFE	575/3/60	7.7	49	1	400	0.9	10.5	15
BESA051H8-*	T3B	2DD3R63KE-TFC	208-230/3/60	22.3	120	1	400	2.1	30.0	50
	T4B	2DD3R63KE-TFD	460/3/60	10.5	60	1	400	1.1	14.2	20
	T5B	2DD3R63KE-TFE	575/3/60	7.9	49	1	400	0.9	10.8	15
BESA075H8-*	T3B	2DL3R78KE-TFC	208-230/3/60	31.6	169	1	400	2.1	41.6	70
	T4B	2DL3R78KE-TFD	460/3/60	13.8	85	1	400	1.1	18.4	30
	T5B	2DL3R78KE-TFE	575/3/60	13.2	67	1	400	0.9	17.4	30
BESA077H8-*	T3B	2DA3R89KE-TFC	208-230/3/60	32.0	169	2	800	4.2	44.2	70
	T4B	2DA3R89KE-TFD	460/3/60	14.1	85	2	800	2.2	19.8	30
	T5B	2DA3R89KE-TFE	575/3/60	13.3	67	2	800	1.8	18.4	30
BESA080H8-*	T3B	3DA3R10ME-TFC	208-230/3/60	41.0	215	2	800	4.2	55.5	90
	T4B	3DA3R10ME-TFD	460/3/60	20.0	106	2	800	2.2	27.2	45
	T5B	3DA3R10ME-TFE	575/3/60	16.5	84	2	800	1.8	22.4	35
BESA100H8-*	T3B	3DB3R12ME-TFC	208-230/3/60	43.6	215	2	800	4.2	58.7	100
	T4B	3DB3R12ME-TFD	460/3/60	20.0	106	2	800	2.2	27.2	45
	T5B	3DB3R12ME-TFE	575/3/60	16.5	84	2	800	1.8	22.4	35
BESA120H8-*	T3B	3DF3R15ME-TFC	208-230/3/60	48.1	275	2	1560	7.2	67.3	110
	T4B	3DF3R15ME-TFD	460/3/60	23.6	138	2	1560	3.4	32.9	50
BESA150H8-*	T3B	3DS3R17ME-TFC	208-230/3/60	59.6	275	2	1560	7.2	81.7	125
	T4B	3DS3R17ME-TFD	460/3/60	29.0	138	2	1560	3.4	39.7	60
	T5B	3DS3R17ME-TFE	575/3/60	23.6	110	2	1560	2.8	32.3	50

* I = Indoor, H = Outdoor. Above listed RLA value is based on UL rating method and may differ from published compressor RLA data.

table continues on next page >>>

ELECTRICAL DATA
COPELAND MODELS (cont'd)

MODEL BES	COMPRESSOR MODEL NO.	POWER SUPPLY	COMPRESSOR		CONDENSER FAN MOTOR			MCA	MOP	
			RLA	LRA	QTY	WATTS	FLA			
BESA005L8-*	S2B	KANB-005E-CAV	208-230/1/60	3.6	24	1	130	0.5	5.0	15
	T3B	KANA-006E-TAC	208-230/3/60	2.2	13.2	1	130	0.5	3.3	15
BESA008L8-*	S2B	KAMB-007E-CAV	208-230/1/60	5.6	36	1	130	0.5	7.5	15
	T3B	KAMA-007E-TAC	208-230/3/60	3.2	19.9	1	130	0.5	4.5	15
BESA010L8-*	S2B	KAJB-010E-CAV	208-230/1/60	6.9	40	1	130	0.5	9.1	15
	T3B	KAJA-011E-TAC	208-230/3/60	4.6	27	1	130	0.5	6.3	15
BESA015L8-*	S2B	KALB-015E-CAV	208-230/1/60	9.9	55	1	240	1.1	13.5	20
	T3B	KALA-016E-TAC	208-230/3/60	6.6	50	1	240	1.1	9.4	15
	T4B	KALA-016E-TAD	460/3/60	3.4	25	1	240	0.6	4.9	15
BESA020L8-*	S3A	EADB-021E-CAB	230/1/60	10.0	58	1	240	1.1	13.6	20
	T3B	EADA-020E-TAC	208-230/3/60	6.8	46	1	240	1.1	9.6	15
BESA021L8-*	S2B	EAVB-021E-CAV	208-230/1/60	14.7	102	1	240	1.1	19.5	30
	T3B	EAVA-021E-TAC	208-230/3/60	7.4	50	1	240	1.1	10.4	15
	T4B	EAVA-021E-TAD	460/3/60	3.2	26.6	1	240	0.6	4.6	15
	T5B	EAVA-021E-TAE	575/3/60	3.1	20	1	240	0.5	4.4	15
BESA030L8-*	S3A	LAHB-032E-CAB	230/1/60	16.7	105	1	400	2.1	23.0	35
	T3B	LAHA-032E-TAC	208-230/3/60	12.8	112	1	400	2.1	18.1	30
	T4B	LAHA-032E-TAD	460/3/60	6.0	56	1	400	1.1	8.6	15
	T5B	LAHA-032E-TAE	575/3/60	4.1	30	1	400	0.9	6.0	15
BESA032L8-*	S3A	LACB-032E-CAB	230/1/60	15.5	105	1	400	2.1	21.5	35
	T3B	LACA-032E-TAC	208-230/3/60	12.8	112	1	400	2.1	18.1	30
	T4B	LACA-032E-TAD	460/3/60	6.0	56	1	400	1.1	8.6	15
BESA035L 6/8-*	S3A	2DF3F16KE-CFB	230/1/60	23.2	125	1	400	2.1	31.0	50
	T3B	2DF3F16KE-TFC	208-230/3/60	16.0	102	1	400	2.1	22.1	35
	T4B	2DF3F16KE-TFD	460/3/60	7.9	52	1	400	1.1	11.0	15
	T5B	2DF3F16KE-TFE	575/3/60	6.7	41	1	400	0.9	9.3	15
BESA040L 6/8-*	T3B	2DL3F20KE-TFC	208-230/3/60	26.3	161	1	400	2.1	35.0	60
	T4B	2DL3F20KE-TFD	460/3/60	10.2	60	1	400	1.1	13.9	20
	T5B	2DL3F20KE-TFE	575/3/60	7.7	49	1	400	0.9	10.5	15
BESA060L 6/8-*	T3B	2DB3F25KE-TFC	208-230/3/60	28.2	161	1	400	2.1	37.4	60
	T4B	2DB3F25KE-TFD	460/3/60	13.3	80	1	400	1.1	17.7	30
	T5B	2DB3F25KE-TFE	575/3/60	9.6	63	1	400	0.9	12.9	20
BESA061L 6/8-*	T3B	3DA3F28KE-TFC	208-230/3/60	26.8	150	1	400	2.1	35.6	60
	T4B	3DA3F28KE-TFD	460/3/60	12.0	77	1	400	1.1	16.1	25
	T5B	3DA3F28KE-TFE	575/3/60	10.5	62	1	400	0.9	14.0	20
BESA075L 6/8-*	T3B	3DB3F33KE-TFC	208-230/3/60	30.7	161	1	400	2.1	40.5	70
	T4B	3DB3F33KE-TFD	460/3/60	15.7	83	1	400	1.1	20.7	35
	T5B	3DB3F33KE-TFE	575/3/60	11.0	67	1	400	0.9	14.7	25
BESA090L 6/8-*	T3B	3DF3F40KE-TFC	208-230/3/60	37.0	215	2	800	4.2	50.5	80
	T4B	3DF3F40KE-TFD	460/3/60	16.7	106	2	800	2.2	23.1	40
	T5B	3DF3F40KE-TFE	575/3/60	15.7	84	2	800	1.8	21.4	35
BESA100L 6/8-*	T3B	3DS3F46KE-TFC	208-230/3/60	41.4	215	2	800	4.2	56.0	90
	T4B	3DS3F46KE-TFD	460/3/60	18.6	106	2	800	2.2	25.5	40
	T5B	3DS3F46KE-TFE	575/3/60	16.2	84	2	800	1.8	22.1	35
BESA130L 6/8-*	T3B	4DBNF54KE-TSK	208/230/3/60	51.3	220	2	1560	7.2	71.3	110
	T4B	4DBNF54KE-TSK	460/3/60	25.6	110	2	1560	3.4	35.4	60
	T5B	4DBNF54KE-TSE	575/3/60	17.4	106	2	1560	2.8	24.6	40
BESA150L 6/8-*	T3B	4DHNF63KE-TSK	208/230/3/60	52.6	278	2	1560	7.2	73.0	125
	T4B	4DHNF63KE-TSK	460/3/60	26.3	139	2	1560	3.4	36.3	60
	T5B	4DHNF63KE-TSE	575/3/60	20.9	113	2	1560	2.8	28.9	40
BESA220L 6/8-*	T3B	4DJNF76KE-TSK	208/230/3/60	64.3	374	2	1560	7.2	87.6	150
	T4B	4DJNF76KE-TSK	460/3/60	32.1	187	2	1560	3.4	43.5	70
	T5B	4DJNF76KE-TSE	575/3/60	29.1	135	2	1560	2.8	39.2	60

* I = Indoor, H = Outdoor. Above listed RLA value is based on UL rating method and may differ from published compressor RLA data.

MODEL BES	COMPRESSOR MODEL NO.	POWER SUPPLY	COMPRESSOR		CONDENSER FAN MOTOR			MCA	MOP	
			RLA	LRA	QTY	WATTS	FLA			
BESB010H8-*	S2	2TES-05-2EU-Y	208-230/1/60	9.2	37	1	130	0.5	12.0	20
	T3	2TES-05-2DU-Y	208-230/3/60	6.0	32	1	130	0.5	8.0	15
BESB015H8-*	S2	2JES-07-2EU-Y	208-230/1/60	10.5	40	1	240	1.1	14.2	20
	T3	2JES-07-2DU-Y	208-230/3/60	7.4	40	1	240	1.1	10.4	15
	T4	2JES-07-4SU-Y	460/3/60	3.2	20	1	240	0.6	4.6	15
	T5	2JES-07-5SU-Y	575/3/60	2.4	16	1	240	0.5	3.5	15
BESB020H8-*	S2	2HES-2-2EU-Y	208-230/1/60	14.1	58.5	1	240	1.1	18.7	30
	T3	2HES-2-2DU-Y	208-230/3/60	12.2	54	1	240	1.1	16.4	25
	T4	2HES-2-4SU-Y	460/3/60	4.5	24	1	240	0.6	6.2	15
	T5	2HES-2-5SU-Y	575/3/60	3.6	17	1	240	0.5	5.0	15
BESB025H8-*	S2	2GES-2-2EU-Y	208-230/1/60	17.8	58.5	1	240	1.1	23.4	40
	T3	2GES-2-2DU-Y	208-230/3/60	12.1	54	1	240	1.1	16.2	25
	T4	2GES-2-4SU-Y	460/3/60	4.8	24	1	240	0.6	6.6	15
	T5	2GES-2-5SU-Y	575/3/60	3.7	17	1	240	0.5	5.1	15
BESB029H8-*	T3	2FES-3-2DU-Y	208-230/3/60	13.9	60	1	400	2.1	19.5	30
	T4	2FES-3-4SU-Y	460/3/60	5.7	27.5	1	400	1.1	8.2	15
	T5	2FES-3-5SU-Y	575/3/60	4.9	19	1	400	0.9	7.0	15
BESB030H8-*	S2	2EES-3-2EU-Y	208-230/1/60	28.8	109	1	400	2.1	38.1	60
	T3	2EES-3-2DU-Y	208-230/3/60	17.3	97	1	400	2.1	23.7	40
	T4	2EES-3-4SU-Y	460/3/60	7.3	39.5	1	400	1.1	10.2	15
	T5	2EES-3-5SU-Y	575/3/60	5.9	28.5	1	400	0.9	8.3	15
BESB035H8-*	S2	2DES-3-2EU-Y	208-230/1/60	29.6	113	1	400	2.1	39.1	60
	T3	2DES-3-2DU-Y	208-230/3/60	18.8	97	1	400	2.1	25.6	40
	T4	2DES-3-4SU-Y	460/3/60	8.1	39.5	1	400	1.1	11.2	15
	T5	2DES-3-5SU-Y	575/3/60	5.7	28.5	1	400	0.9	8.0	15
BESB040H8-*	T3	2CES-4-2DU-Y	208-230/3/60	22.4	115.5	1	400	2.1	30.1	50
	T4	2CES-4-4SU-Y	460/3/60	9.1	47.5	1	400	1.1	12.5	20
	T5	2CES-4-5SU-Y	575/3/60	7.3	34	1	400	0.9	10.0	15
BESB050H8-*	T3	4FES-5-2DU-1Y	208-230/3/60	29.9	163	1	400	2.1	39.5	60
	T4	4FES-5-4SU-1Y	460/3/60	14.6	66.5	1	400	1.1	19.4	30
	T5	4FES-5-5SU-1Y	575/3/60	9.7	48	1	400	0.9	13.0	20
BESB060H8-*	T3	4EES-6-2DU-1Y	208-230/3/60	34.6	163	1	400	2.1	45.4	70
	T4	4EES-6-4SU-1Y	460/3/60	14.9	66.5	1	400	1.1	19.7	30
	T5	4EES-6-5SU-1Y	575/3/60	10.5	48	1	400	0.9	14.0	20
BESB076H8-*	T3	4DES-7-2DU-1Y	208-230/3/60	38.1	215	2	800	4.2	51.8	80
	T4	4DES-7-4SU-1Y	460/3/60	17.0	88	2	800	2.2	23.5	40
	T5	4DES-7-5SU-1Y	575/3/60	12.3	63.5	2	800	1.8	17.2	25
BESB090H8-*	T3	4CES-9-2DU-1Y	208-230/3/60	42.1	215	2	800	4.2	56.8	90
	T4	4CES-9-4SU-1Y	460/3/60	19.0	88	2	800	2.2	26.0	40
	T5	4CES-9-5SU-1Y	575/3/60	15.2	63.5	2	800	1.8	20.8	35
BESB100H8-*	T3	4VES-10-2NU-1Y	208-230/3/60	47.4	222	2	800	4.2	63.5	110
	T4	4VES-10-2NU-1Y	460/3/60	21.4	111	2	800	2.2	29.0	50
	T5	4VES-10-5PU-1Y	575/3/60	17.1	89	2	800	1.8	23.2	40
BESB121H8-*	T3	4TES-12-2NU-1Y	208-230/3/60	52.1	252	2	1560	7.2	72.3	110
	T4	4TES-12-2NU-1Y	460/3/60	23.6	126	2	1560	3.4	32.9	50
	T5	4TES-12-5PU-1Y	575/3/60	18.9	101	2	1560	2.8	26.4	45
BESB150H8-*	T3	4PES-15-2NU-1Y	208-230/3/60	60.0	294	2	1560	7.2	82.2	125
	T4	4PES-15-2NU-1Y	460/3/60	27.1	147	2	1560	3.4	37.3	60
	T5	4PES-15-5PU-1Y	575/3/60	21.8	117	2	1560	2.8	30.1	50
BESB200H8-*	T3	4NES-20-2NU-1Y	208-230/3/60	71.1	352	2	1560	7.2	96.1	150
	T4	4NES-20-2NU-1Y	460/3/60	32.1	176	2	1560	3.4	43.5	70
	T5	4NES-20-5PU-1Y	575/3/60	26.3	140	2	1560	2.8	35.7	60

* I = Indoor, H = Outdoor. Above listed RLA value is based on UL rating method and may differ from published compressor RLA data.

table continues on next page >>>

ELECTRICAL DATA

BITZER MODELS (cont'd)

MODEL BES		COMPRESSOR MODEL NO.	POWER SUPPLY	COMPRESSOR		CONDENSER FAN MOTOR			MCA	MOP
				RLA	LRA	QTY	WATTS	FLA		
BESB010L 6/8 -*	T3	2HES-1-2EU-Y	208-230/1/60	12.9	56.5	1	130	0.5	16.6	25
	T4	2HES-1-2DU-Y	208-230/3/60	8.1	42	1	130	0.5	10.6	15
BESB015L 6/8 -*	S2	2FES-2-2EU-Y	208-230/1/60	14.6	60	1	240	1.1	19.4	30
	T3	2FES-2-2DU-Y	208-230/3/60	11.1	54	1	240	1.1	15.0	25
	T4	2FES-2-4SU-Y	460/3/60	4.6	24	1	240	0.6	6.4	15
	T5	2FES-2-5SU-Y	575/3/60	3.6	17	1	240	0.5	5.0	15
BESB020L 6/8 -*	T3	2EES-2-2DU-Y	208-230/3/60	13.3	70	1	240	1.1	17.7	30
	T4	2EES-2-4SU-Y	460/3/60	5.4	28.5	1	240	0.6	7.4	15
	T5	2EES-2-5SU-Y	575/3/60	4.0	20.5	1	240	0.5	5.5	15
BESB025L 6/8 -*	T3	2DES-2-2DU-Y	208-230/3/60	14.5	80.5	1	240	1.1	19.2	30
	T4	2DES-2-4SU-Y	460/3/60	6.4	33	1	240	0.6	8.6	15
	T5	2DES-2-5SU-Y	575/3/60	4.7	23.5	1	240	0.5	6.4	15
BESB030L 6/8 -*	T3	2CES-3-2DU-Y	208-230/3/60	16.5	97	1	400	2.1	22.7	35
	T4	2CES-3-4SU-Y	460/3/60	7.0	39.5	1	400	1.1	9.9	15
	T5	2CES-3-5SU-Y	575/3/60	5.6	28.5	1	400	0.9	7.9	15
BESB031L 6/8 -*	T3	4FES-3-2DU-1Y	208-230/3/60	22.2	115.5	1	400	2.1	29.9	50
	T4	4FES-3-4SU-1Y	460/3/60	9.0	47.5	1	400	1.1	12.4	20
	T5	4FES-3-5SU-1Y	575/3/60	6.9	34	1	400	0.9	9.5	15
BESB039L 6/8 -*	T3	4EES-4-2DU-1Y	208-230/3/60	24.8	142	1	400	2.1	33.1	50
	T4	4EES-4-4SU-1Y	460/3/60	10.3	58	1	400	1.1	14.0	20
	T5	4EES-4-5SU-1Y	575/3/60	8.3	41.5	1	400	0.9	11.3	15
BESB050L 6/8 -*	T3	4DES-5-2DU-1Y	208-230/3/60	25.4	163	1	400	2.1	33.9	50
	T4	4DES-5-4SU-1Y	460/3/60	12.0	66.5	1	400	1.1	16.1	25
	T5	4DES-5-5SU-1Y	575/3/60	10.0	48	1	400	0.9	13.4	20
BESB060L 6/8 -*	T3	4CES-6-2DU-1Y	208-230/3/60	30.8	215	1	400	2.1	40.6	70
	T4	4CES-6-4SU-1Y	460/3/60	15.8	88	1	400	1.1	20.9	35
	T5	4CES-6-5SU-1Y	575/3/60	12.5	63.5	1	400	0.9	16.5	25
BESB080L 6/8 -*	T3	4TES-9-2NU-1Y	208-230/3/60	34.8	180	2	800	4.2	47.7	80
	T4	4TES-9-2NU-1Y	460/3/60	15.7	90	2	800	2.2	21.8	35
	T5	4TES-9-5PU-1Y	575/3/60	13.6	72	2	800	1.8	18.8	30
BESB100L 6/8 -*	T3	4PES-12-2NU-1Y	208-230/3/60	42.7	222	2	800	4.2	57.6	100
	T4	4PES-12-2NU-1Y	460/3/60	19.3	111	2	800	2.2	26.3	45
	T5	4PES-12-5PU-1Y	575/3/60	16.0	89	2	800	1.8	21.8	35
BESB120L 6/8 -*	T3	4NES-14-2NU-1Y	208-230/3/60	49.0	252	2	800	4.2	65.5	110
	T4	4NES-14-2NU-1Y	460/3/60	22.1	126	2	800	2.2	29.8	50
	T5	4NES-14-5PU-1Y	575/3/60	17.7	101	2	800	1.8	23.9	40

* I = Indoor, H = Outdoor. Above listed RLA value is based on UL rating method and may differ from published compressor RLA data.

ELECTRICAL DATA - COPELAND MODELS

Models with EC Motor(s)[†]

MODEL BES	COMPRESSOR MODEL NO.	POWER SUPPLY	COMPRESSOR		ECM CONDENSER FAN			MCA	MOP	
			RLA	LRA	QTY	WATTS	FLA			
BESA008H2-*	S2B	KAN2-0075-CAV	208-230/1/60	6.1	36	1	100	1.0	8.6	15
	T3B	KAN1-0075-TAC	208-230/3/60	3.5	19.9	1	100	1.0	5.4	15
BESA010H2-*	S2B	KAR2-0100-CAV	208-230/1/60	7.4	40	1	100	1.0	10.3	15
	T3B	KAR1-0100-TAC	208-230/3/60	4.3	27	1	100	1.0	6.4	15
BESA015H2-*	S2B	KAGB-0150-CAV	208-230/1/60	9.6	55	1	175	2.0	14.0	20
	T3B	KAGA-0150-TAC	208-230/3/60	5.5	35.5	1	175	2.0	8.9	15
BESA020H2-*	S2B	KAKB-0200-CAV	208-230/1/60	10.6	55	1	175	2.0	15.3	26
	T3B	KAKA-0200-TAC	208-230/3/60	6.8	50	1	175	2.0	10.5	15
BESA030H2-*	S3A	ERF2-0310-CAB	230/1/60	17.0	86	1	315	3.5	24.8	42
	T3B	ERF1-0310-TAC	208-230/3/60	11.7	82	1	315	3.5	18.1	25
	S2B	KAE2-0075-CAV	208-230/1/60	5.4	36	1	100	0.5	7.3	15
BESA008M2-*	T3B	KAE1-0075-TAC	208-230/3/60	3.4	19.9	1	100	0.5	4.8	15
	S2B	KAM2-0100-CAV	208-230/1/60	7.5	40	1	100	0.5	9.9	15
BESA010M2-*	T3B	KAM1-0100-TAC	208-230/3/60	4.5	27	1	100	0.5	6.1	15
	S2B	KAKB-0200-CAV	208-230/1/60	10.6	55	1	175	1.1	14.4	25
BESA020M2-*	T3B	KAKA-0200-TAC	208-230/3/60	6.8	50	1	175	1.1	9.6	15
	S3A	ERC2-0200-CAB	230/1/60	10.9	58	1	175	1.1	14.7	25
BESA021M2-*	T3B	ERC1-0200-TAC	208-230/3/60	6.8	46	1	175	1.1	9.6	15
	S2B	KARB-010E-CAV	208-230/1/60	7.1	40	1	100	0.5	9.4	15
BESA010M6-*	T3B	KARA-010E-TAC	208-230/3/60	4.3	27	1	100	0.5	5.9	15
	S2B	KAKB-021E-CAV	208-230/1/60	10.1	55	1	175	1.1	13.7	20
BESA020M6-*	T3B	KAKA-020E-TAC	208-230/3/60	6.5	50	1	175	1.1	9.2	15
	T3B	ERCA-021E-TAC	208-230/3/60	8.8	46	1	175	1.1	12.1	20
BESA021M6-*	S3A	ERFB-031E-CAB	230/1/60	17.0	86	1	315	3.5	24.8	40
	T3B	ERFA-031E-TAC	208-230/3/60	12.4	82	1	315	3.5	19.0	30
BESA030M6-*	T4B	ERFA-031E-TAD	460/3/60	5.8	41	1	315	1.8	9.1	15
	T5B	ERFA-031E-TAE	575/3/60	5.2	30	1	315	1.4	7.9	15
	T3B	2DC3R53KE-TFC	208-230/3/60	22.3	120	1	315	3.5	31.4	50
BESA050H8-*	T3B	2DC3R53KE-TFC	208-230/3/60	22.3	120	1	315	3.5	31.4	50
	T4B	2DC3R53KE-TFD	460/3/60	10.4	60	1	315	1.8	14.8	20
	T5B	2DC3R53KE-TFE	575/3/60	7.7	49	1	315	1.4	11.0	15
BESA051H8-*	T3B	2DD3R63KE-TFC	208-230/3/60	22.3	120	1	315	3.5	31.4	50
	T4B	2DD3R63KE-TFD	460/3/60	10.5	60	1	315	1.8	14.9	25
	T5B	2DD3R63KE-TFE	575/3/60	7.9	49	1	315	1.4	11.3	15
BESA075H8-*	T3B	2DL3R78KE-TFC	208-230/3/60	31.6	169	1	315	3.5	43.0	70
	T4B	2DL3R78KE-TFD	460/3/60	13.8	85	1	315	1.8	19.1	30
	T5B	2DL3R78KE-TFE	575/3/60	13.2	67	1	315	1.4	17.9	30
BESA077H8-*	T3B	2DA3R89KE-TFC	208-230/3/60	32.0	169	2	630	7.0	47.0	70
	T4B	2DA3R89KE-TFD	460/3/60	14.1	85	2	630	3.6	21.2	35
	T5B	2DA3R89KE-TFE	575/3/60	13.3	67	2	630	2.8	19.4	30
BESA080H8-*	T3B	3DA3R10ME-TFC	208-230/3/60	41.0	215	2	630	7.0	58.3	90
	T4B	3DA3R10ME-TFD	460/3/60	20.0	106	2	630	3.6	28.6	45
	T5B	3DA3R10ME-TFE	575/3/60	16.5	84	2	630	2.8	23.4	35
BESA100H8-*	T3B	3DB3R12ME-TFC	208-230/3/60	43.6	215	2	630	7.0	61.5	100
	T4B	3DB3R12ME-TFD	460/3/60	20.0	106	2	630	3.6	28.6	45
	T5B	3DB3R12ME-TFE	575/3/60	16.5	84	2	630	2.8	23.4	35
BESA120H8-*	T3B	3DF3R15ME-TFC	208-230/3/60	48.1	275	2	1180	10.6	70.7	110
	T4B	3DF3R15ME-TFD	460/3/60	23.6	138	2	1180	5.4	34.9	50
BESA150H8-*	T3B	3DS3R17ME-TFC	208-230/3/60	59.6	275	2	1180	10.6	85.1	125
	T4B	3DS3R17ME-TFD	460/3/60	29.0	138	2	1180	5.4	41.7	70
	T5B	3DS3R17ME-TFE	575/3/60	23.6	110	2	1180	4.2	33.7	50

* I = Indoor, H = Outdoor.

Above listed RLA value is based on UL rating method and may differ from published compressor RLA data.

460 & 575V models use a 230V EC motor with transformer

† Applies to units with variable speed EC motors, SmartSpeed (1/2 - 5 HP only), or LIMITROL+ (5+ HP only). Contact factory for details.

table continues on next page >>>

**ELECTRICAL DATA -
COPELAND MODELS**
Models with EC Motor(s)[†] (cont'd)

MODEL BES	COMPRESSOR MODEL NO.	POWER SUPPLY	COMPRESSOR		ECM CONDENSER FAN			MCA	MOP	
			RLA	LRA	QTY	WATTS	FLA			
BESA005L8-*	S2B	KANB-005E-CAV	208-230/1/60	3.6	24	1	100	1.0	5.5	15
	T3B	KANA-006E-TAC	208-230/3/60	2.2	13.2	1	100	1.0	3.8	15
BESA008L8-*	S2B	KAMB-007E-CAV	208-230/1/60	5.6	36	1	100	1.0	8.0	15
	T3B	KAMA-007E-TAC	208-230/3/60	3.2	19.9	1	100	1.0	5.0	15
BESA010L8-*	S2B	KAJB-010E-CAV	208-230/1/60	6.9	40	1	100	1.0	9.6	15
	T3B	KAJA-011E-TAC	208-230/3/60	4.6	27	1	100	1.0	6.8	15
BESA015L8-*	S2B	KALB-015E-CAV	208-230/1/60	9.9	55	1	175	2.0	14.4	20
	T3B	KALA-016E-TAC	208-230/3/60	6.6	50	1	175	2.0	10.3	15
BESA020L8-*	S3A	EADB-021E-CAB	230/1/60	10.0	58	1	175	2.0	14.5	20
	T3B	EADA-020E-TAC	208-230/3/60	6.8	46	1	175	2.0	10.5	15
BESA021L8-*	S2B	EAVB-021E-CAV	208-230/1/60	14.7	102	1	175	2.0	20.4	35
	T3B	EAVA-021E-TAC	208-230/3/60	7.4	50	1	175	2.0	11.3	15
BESA030L8-*	S3A	LAHB-032E-CAB	230/1/60	16.7	105	1	315	3.5	24.4	40
	T3B	LAHA-032E-TAC	208-230/3/60	12.8	112	1	315	3.5	19.5	30
	T4B	LAHA-032E-TAD	460/3/60	6.0	56	1	315	1.8	9.3	15
	T5B	LAHA-032E-TAE	575/3/60	4.1	30	1	315	1.4	6.5	15
BESA032L8-*	S3A	LACB-032E-CAB	230/1/60	15.5	105	1	315	3.5	22.9	35
	T3B	LACA-032E-TAC	208-230/3/60	12.8	112	1	315	3.5	19.5	30
	T4B	LACA-032E-TAD	460/3/60	6.0	56	1	315	1.8	9.3	15
BESA035L 6/8-*	S3A	2DF3F16KE-CFB	230/1/60	23.2	125	1	315	3.5	32.4	50
	T3B	2DF3F16KE-TFC	208-230/3/60	16.8	102	1	315	3.5	24.5	40
	T4B	2DF3F16KE-TFD	460/3/60	8.1	52	1	315	1.8	11.9	20
	T5B	2DF3F16KE-TFE	575/3/60	6.7	41	1	315	1.4	9.8	15
BESA040L 6/8-*	T3B	2DL3F20KE-TFC	208-230/3/60	26.3	161	1	315	3.5	36.4	60
	T4B	2DL3F20KE-TFD	460/3/60	10.2	60	1	315	1.8	14.6	20
	T5B	2DL3F20KE-TFE	575/3/60	7.7	49	1	315	1.4	11.0	15
BESA060L 6/8-*	T3B	2DB3F25KE-TFC	208-230/3/60	28.2	161	1	315	3.5	38.8	60
	T4B	2DB3F25KE-TFD	460/3/60	13.3	80	1	315	1.8	18.4	30
	T5B	2DB3F25KE-TFE	575/3/60	9.6	63	1	315	1.4	13.4	20
BESA061L 6/8-*	T3B	3DA3F28KE-TFC	208-230/3/60	26.8	150	1	315	3.5	37.0	60
	T4B	3DA3F28KE-TFD	460/3/60	12.0	77	1	315	1.8	16.8	25
	T5B	3DA3F28KE-TFE	575/3/60	10.5	62	1	315	1.4	14.5	25
BESA075L 6/8-*	T3B	3DB3F33KE-TFC	208-230/3/60	30.7	161	1	315	3.5	41.9	70
	T4B	3DB3F33KE-TFD	460/3/60	15.7	83	1	315	1.8	21.4	35
	T5B	3DB3F33KE-TFE	575/3/60	11.0	67	1	315	1.4	15.2	25
BESA090L 6/8-*	T3B	3DF3F40KE-TFC	208-230/3/60	37.0	215	2	630	7	53.3	90
	T4B	3DF3F40KE-TFD	460/3/60	16.7	106	2	630	3.5	24.4	40
	T5B	3DF3F40KE-TFE	575/3/60	15.7	84	2	630	2.8	22.4	35
BESA100L 6/8-*	T3B	3DS3F46KE-TFC	208-230/3/60	41.4	215	2	630	7	58.8	100
	T4B	3DS3F46KE-TFD	460/3/60	18.6	106	2	630	3.5	26.8	45
	T5B	3DS3F46KE-TFE	575/3/60	16.2	84	2	630	2.8	23.1	35
BESA130L 6/8-*	T3B	4DBNF54KE-TSK	208/230/3/60	51.3	220	2	1180	10.6	74.7	125
	T4B	4DBNF54KE-TSK	460/3/60	25.6	110	2	1180	5.4	37.4	60
	T5B	4DBNF54KE-TSE	575/3/60	17.4	106	2	1560	4.2	26.0	40
BESA150L 6/8-*	T3B	4DHNF63KE-TSK	208/230/3/60	52.6	278	2	1180	10.6	76.4	125
	T4B	4DHNF63KE-TSK	460/3/60	26.3	139	2	1180	5.4	38.3	60
	T5B	4DHNF63KE-TSE	575/3/60	20.9	113	2	1180	4.2	30.3	50
BESA220L 6/8-*	T3B	4DJNF76KE-TSK	208/230/3/60	64.3	374	2	1180	10.6	91.0	150
	T4B	4DJNF76KE-TSK	460/3/60	32.1	187	2	1180	5.4	45.5	70
	T5B	4DJNF76KE-TSE	575/3/60	29.1	135	2	1180	4.2	40.6	60

* I = Indoor, H = Outdoor.

Above listed RLA value is based on UL rating method and may differ from published compressor RLA data.

460& 575V models use a 230V EC motor with transformer

† Applies to units with variable speed EC motors, SmartSpeed (1/2 - 5 HP only), or LIMITROL+ (5+ HP only). Contact factory for details.

**ELECTRICAL DATA -
BITZER MODELS**
Models with EC Motor(s)[†]

MODEL BES	COMPRESSOR MODEL NO.	POWER SUPPLY	COMPRESSOR		ECM CONDENSER FAN			MCA	MOP	
			RLA	LRA	QTY	WATTS	FLA			
BESB010H8-*	S2B	2KES-05-2EU-Y	208-230/1/60	9.2	37	1	100	1.0	12.5	20
	T3B	2KES-05-2DU-Y	208-230/3/60	6.0	32	1	100	1.0	8.5	15
BESB015H8-*	S2B	2JES-07-2EU-Y	208-230/1/60	10.5	40	1	175	2.0	15.1	25
	T3B	2JES-07-2DU-Y	208-230/3/60	7.4	40	1	175	2.0	11.3	15
BESB020H8-*	S2B	2HES-2-2EU-Y	208-230/1/60	14.1	58.5	1	175	2.0	19.6	30
	T3B	2HES-2-2DU-Y	208-230/3/60	12.2	54	1	175	2.0	17.3	25
BESB025H8-*	S2B	2GES-2-2EU-Y	208-230/1/60	17.8	58.5	1	175	2.0	24.3	40
	T3B	2GES-2-2DU-Y	208-230/3/60	12.1	54	1	175	2.0	17.1	25
BESB029H8-*	T3B	2FES-3-2DU-Y	208-230/3/60	13.9	60	1	315	3.5	20.9	30
BESB030H8-*	S2B	2EES-3-2EU-Y	208-230/1/60	28.8	109	1	315	3.5	39.5	60
	T3B	2EES-3-2DU-Y	208-230/3/60	17.3	97	1	315	3.5	25.1	40
	T4B	2EES-3-4SU-Y	460/3/60	7.3	39.5	1	315	1.8	10.9	15
	T5B	2EES-3-5SU-Y	575/3/60	5.9	28.5	1	315	1.4	8.8	15
BESB035H8-*	S2B	2DES-3-2EU-Y	208-230/1/60	29.6	113	1	315	3.5	40.5	70
	T3B	2DES-3-2DU-Y	208-230/3/60	18.8	97	1	315	3.5	27.0	40
	T4B	2DES-3-4SU-Y	460/3/60	8.1	39.5	1	315	1.8	11.9	20
	T5B	2DES-3-5SU-Y	575/3/60	5.7	28.5	1	315	1.4	8.5	15
BESB040H8-*	T3B	2CES-4-2DU-Y	208-230/3/60	22.4	115.5	1	315	3.5	31.5	50
	T4B	2CES-4-4SU-Y	460/3/60	9.1	47.5	1	315	1.8	13.2	20
	T5B	2CES-4-5SU-Y	575/3/60	7.3	34	1	315	1.4	10.5	15
BESB050H8-*	T3B	4FES-5-2DU-1Y	208-230/3/60	29.9	163	1	315	3.5	40.9	70
	T4B	4FES-5-4SU-1Y	460/3/60	14.6	66.5	1	315	1.8	20.1	30
	T5B	4FES-5-5SU-1Y	575/3/60	9.7	48	1	315	1.4	13.5	20
BESB060H8-*	T3B	4EES-6-2DU-1Y	208-230/3/60	34.6	163	1	315	3.5	46.8	80
	T4B	4EES-6-4SU-1Y	460/3/60	14.9	66.5	1	315	1.8	20.4	35
	T5B	4EES-6-5SU-1Y	575/3/60	10.5	48	1	315	1.4	14.5	25
BESB076H8-*	T3B	4DES-7-2DU-1Y	208-230/3/60	38.1	215	2	630	7	54.6	90
	T4B	4DES-7-4SU-1Y	460/3/60	17.0	88	2	630	3.6	24.9	40
	T5B	4DES-7-5SU-1Y	575/3/60	12.3	63.5	2	630	2.8	18.2	30
BESB090H8-*	T3B	4CES-9-2DU-1Y	208-230/3/60	42.1	215	2	630	7	59.6	100
	T4B	4CES-9-4SU-1Y	460/3/60	19.0	88	2	630	3.6	27.4	40
	T5B	4CES-9-5SU-1Y	575/3/60	15.2	63.5	2	630	2.8	21.8	35
BESB100H8-*	T3B	4VES-10-2NU-1Y	208-230/3/60	47.4	222	2	630	7	66.3	110
	T4B	4VES-10-2NU-1Y	460/3/60	21.4	111	2	630	3.6	30.4	50
	T5B	4VES-10-5PU-1Y	575/3/60	17.1	89	2	630	2.8	24.2	40
BESB121H8-*	T3B	4BES-12-2NU-1Y	208-230/3/60	52.1	252	2	1180	10.6	75.7	125
	T4B	4BES-12-2NU-1Y	460/3/60	23.6	126	2	1180	5.4	34.9	50
	T5B	4BES-12-5PU-1Y	575/3/60	18.9	101	2	1180	4.2	27.8	40
BESB150H8-*	T3B	4PES-15-2NU-1Y	208-230/3/60	60.0	294	2	1180	10.6	85.6	125
	T4B	4PES-15-2NU-1Y	460/3/60	27.1	147	2	1180	5.4	39.3	60
	T5B	4PES-15-5PU-1Y	575/3/60	21.8	117	2	1180	4.2	31.5	50
BESB200H8-*	T3B	4NES-20-2NU-1Y	208-230/3/60	71.1	352	2	1180	10.6	99.5	150
	T4B	4NES-20-2NU-1Y	460/3/60	32.1	176	2	1180	5.4	45.5	70
	T5B	4NES-20-5PU-1Y	575/3/60	26.3	140	2	1180	4.2	37.1	60

* I = Indoor, H = Outdoor. Above listed RLA value is based on UL rating method and may differ from published compressor RLA data.

† Applies to units with variable speed EC motors, SmartSpeed (1/2 - 5 HP only), or LIMITROL+ (5+ HP only). Contact factory for details.

table continues on next page >>>

**ELECTRICAL DATA -
BITZER MODELS**
Models with EC Motor(s)[†] (cont'd)

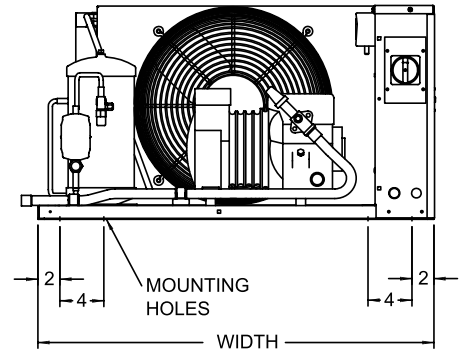
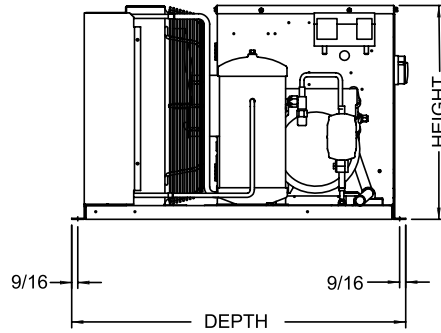
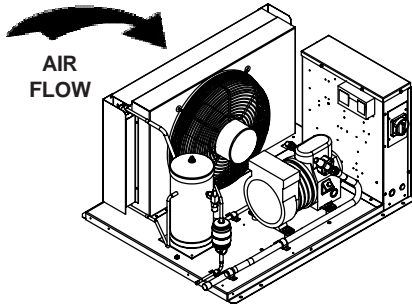
MODEL BES	COMPRESSOR MODEL NO.	POWER SUPPLY	COMPRESSOR		ECM CONDENSER FAN			MCA	MOP	
			RLA	LRA	QTY	WATTS	FLA			
BESB010L 6/8 -*	S2B	2HES-1-2EU-Y	208-230/1/60	12.9	56.5	1	100	1.0	17.1	30
	T3B	2HES-1-2DU-Y	208-230/3/60	8.1	42	1	100	1.0	11.1	15
BESB015L 6/8 -*	S2B	2FES-2-2EU-Y	208-230/1/60	14.6	60	1	175	2.0	20.3	30
	T3B	2FES-2-2DU-Y	208-230/3/60	11.1	54	1	175	2.0	15.9	25
BESB020L 6/8 -*	T3B	2EES-2-2DU-Y	208-230/3/60	13.3	70	1	175	2.0	18.6	30
BESB025L 6/8 -*	T3B	2DES-2-2DU-Y	208-230/3/60	14.5	80.5	1	175	2.0	20.1	30
BESB030L 6/8 -*	T3B	2CES-3-2DU-Y	208-230/3/60	16.5	97	1	315	3.5	24.1	40
	T4B	2CES-3-4SU-Y	460/3/60	7.0	39.5	1	315	1.8	10.6	15
	T5B	2CES-3-5SU-Y	575/3/60	5.6	28.5	1	315	1.4	8.4	15
BESB031L 6/8 -*	T3B	4FES-3-2DU-1Y	208-230/3/60	22.2	115.5	1	315	3.5	31.3	50
	T4B	4FES-3-4SU-1Y	460/3/60	9.0	47.5	1	315	1.8	13.1	20
	T5B	4FES-3-5SU-1Y	575/3/60	6.9	34	1	315	1.4	10.0	15
BESB039L 6/8 -*	T3B	4EES-4-2DU-1Y	208-230/3/60	24.8	142	1	315	3.5	34.5	50
	T4B	4EES-4-4SU-1Y	460/3/60	10.3	58	1	315	1.8	14.7	20
	T5B	4EES-4-5SU-1Y	575/3/60	8.3	41.5	1	315	1.4	11.8	20
BESB050L 6/8 -*	T3B	4DES-5-2DU-1Y	208-230/3/60	25.4	163	1	315	3.5	35.3	60
	T4B	4DES-5-4SU-1Y	460/3/60	12.0	66.5	1	315	1.8	16.8	25
	T5B	4DES-5-5SU-1Y	575/3/60	10.0	48	1	315	1.4	13.9	20
BESB060L 6/8 -*	T3B	4CES-6-2DU-1Y	208-230/3/60	30.8	215	1	315	3.5	42.0	70
	T4B	4CES-6-4SU-1Y	460/3/60	15.8	88	1	315	1.8	21.6	35
	T5B	4CES-6-5SU-1Y	575/3/60	12.5	63.5	1	315	1.4	17.0	25
BESB080L 6/8 -*	T3B	4BES-9-2NU-1Y	208-230/3/60	34.8	180	2	630	7	50.5	80
	T4B	4BES-9-2NU-1Y	460/3/60	15.7	90	2	630	3.6	23.2	35
	T5B	4BES-9-5PU-1Y	575/3/60	13.6	72	2	630	2.8	19.8	30
BESB100L 6/8 -*	T3B	4PES-12-2NU-1Y	208-230/3/60	42.7	222	2	630	7	60.4	100
	T4B	4PES-12-2NU-1Y	460/3/60	19.3	111	2	630	3.6	27.7	45
	T5B	4PES-12-5PU-1Y	575/3/60	16.0	89	2	630	2.8	22.8	35
BESB120L 6/8 -*	T3B	4NES-14-2NU-1Y	208-230/3/60	49.0	252	2	630	7	68.3	110
	T4B	4NES-14-2NU-1Y	460/3/60	22.1	126	2	630	3.6	31.2	50
	T5B	4NES-14-5PU-1Y	575/3/60	17.7	101	2	630	2.8	24.9	40

* I = Indoor, H = Outdoor. Above listed RLA value is based on UL rating method and may differ from published compressor RLA data.

† Applies to units with variable speed EC motors, SmartSpeed (1/2 - 5 HP only), or LIMITROL+ (5+ HP only). Contact factory for details.

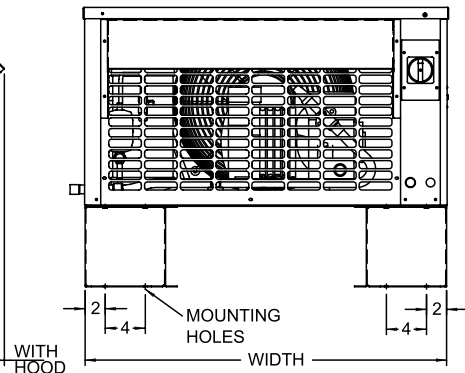
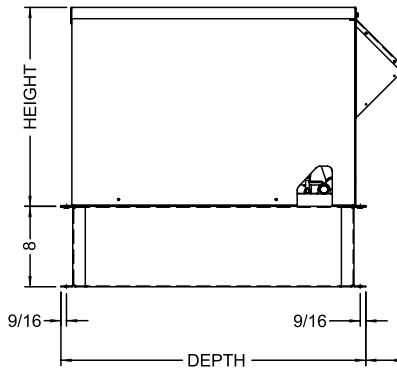
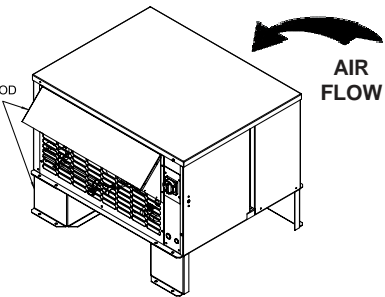
DIMENSIONAL DATA (1 Fan Models - Small Chassis)

DRAWING #1



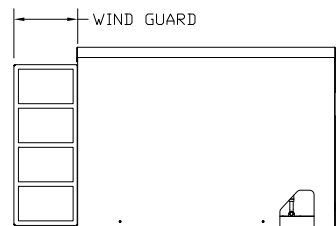
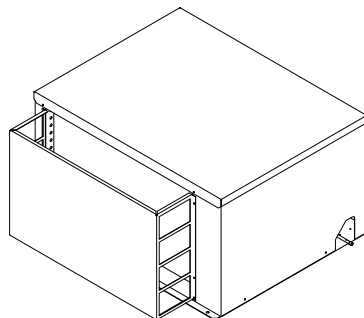
INDOOR DIMENSIONS

OPTIONAL AIR DISCHARGE HOOD AND LEGS



OUTDOOR DIMENSIONS

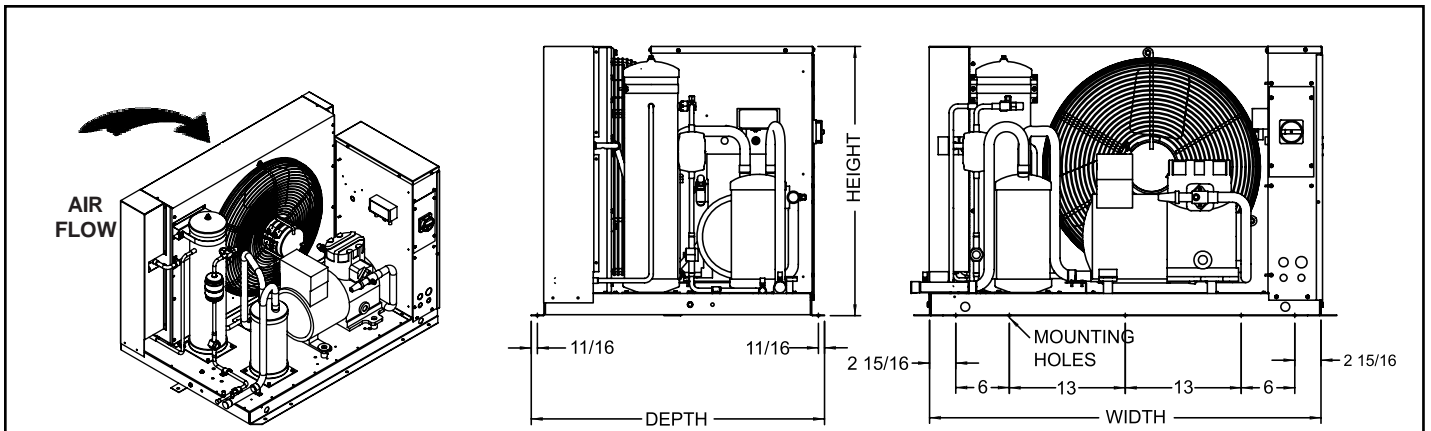
NOTE: Discharge hood, legs and wind guard are optional components



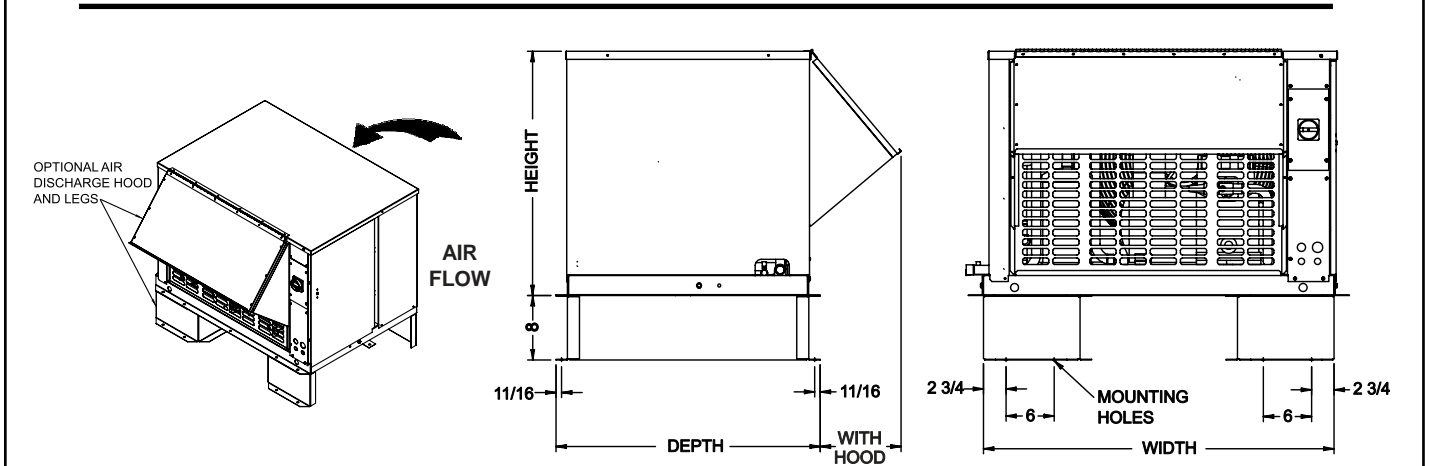
REFER TO PAGES 57-58 FOR
DIMENSIONAL DATA FOR SPECIFIC MODELS

DIMENSIONAL DATA (1 Fan Models - Large Chassis)

DRAWING #2

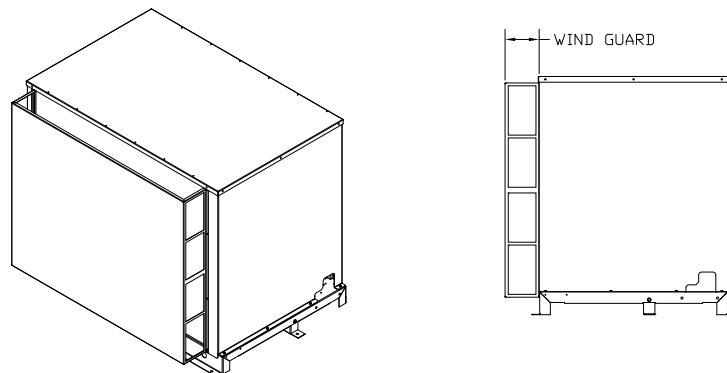


INDOOR DIMENSIONS



OUTDOOR DIMENSIONS

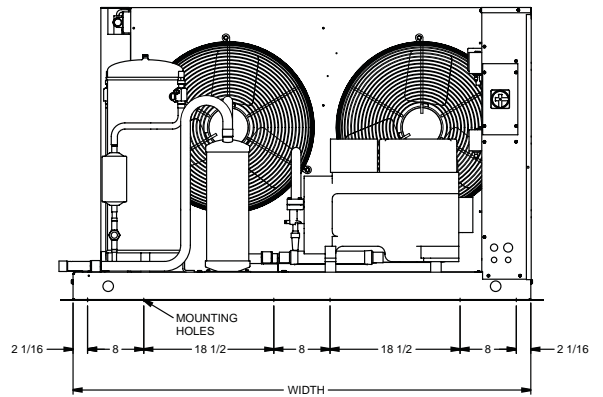
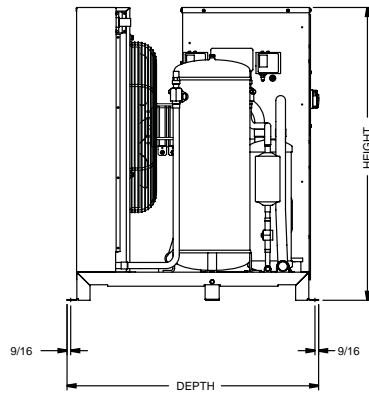
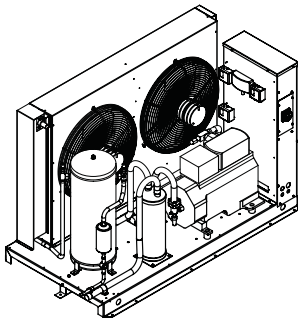
NOTE: Discharge hood, legs and wind guard are optional components



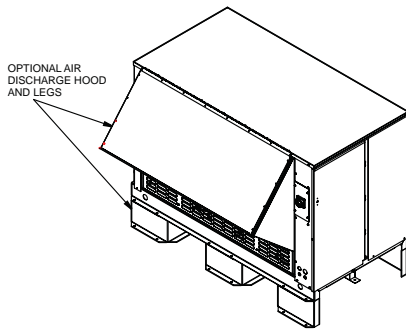
**REFER TO PAGES 57-58 FOR
DIMENSIONAL DATA FOR SPECIFIC MODELS**

DIMENSIONAL DATA (2 Fan Models - Small Chassis)

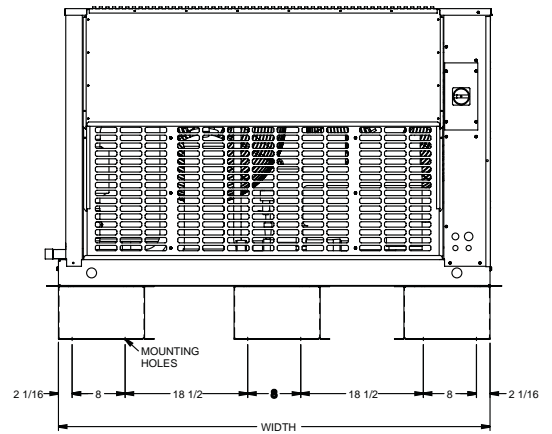
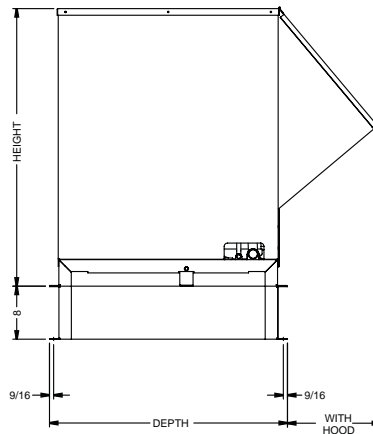
DRAWING #3



INDOOR DIMENSIONS

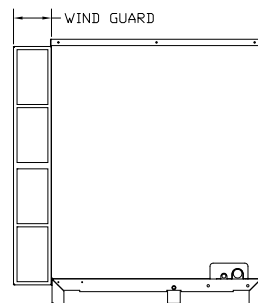
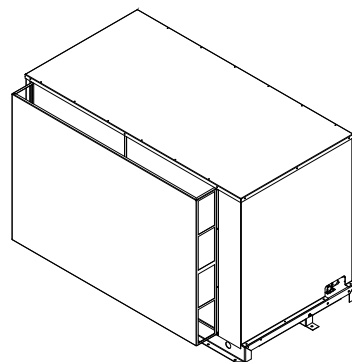


OPTIONAL AIR DISCHARGE HOOD AND LEGS



OUTDOOR DIMENSIONS

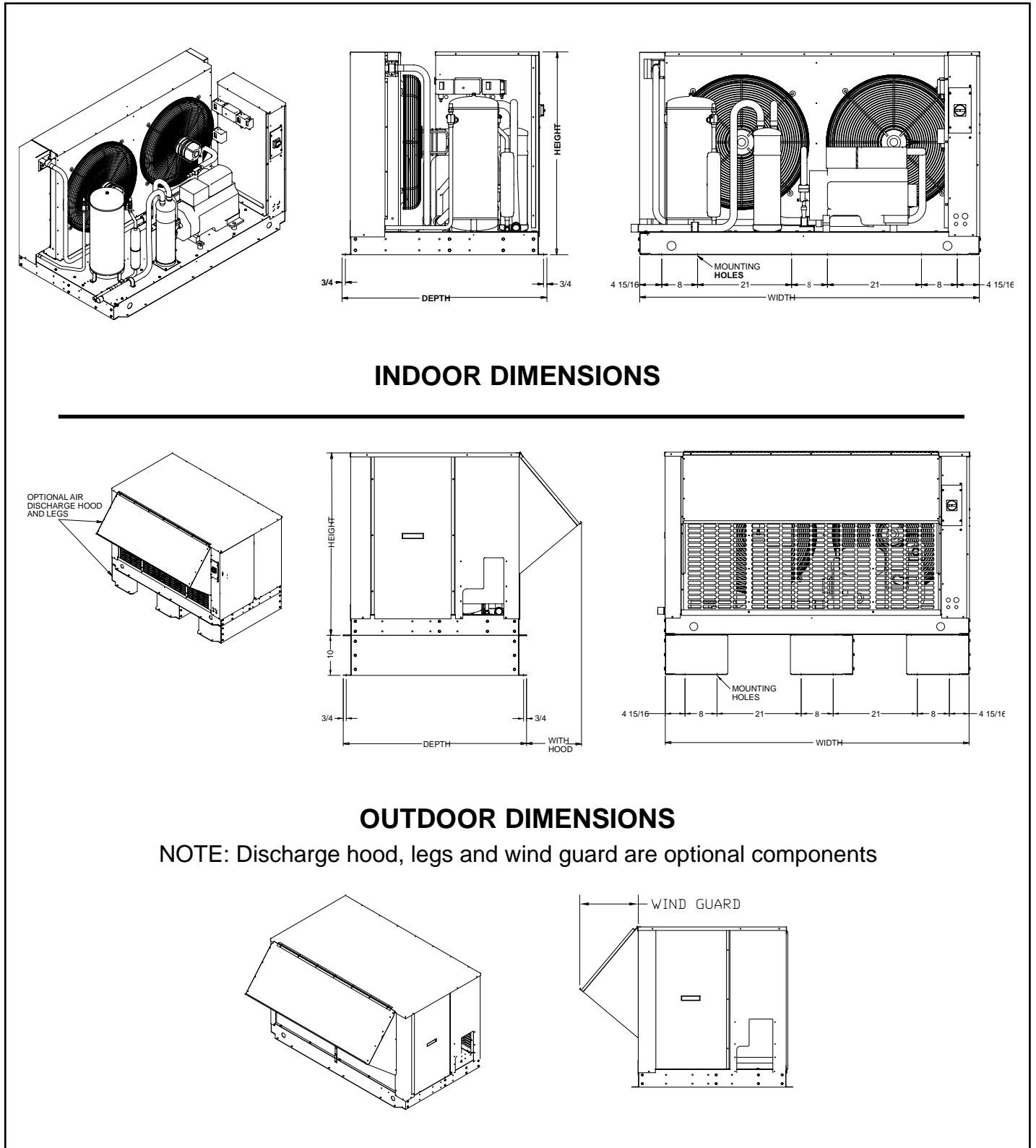
NOTE: Discharge hood and legs are optional components



REFER TO PAGES 57-58 FOR
DIMENSIONAL DATA FOR SPECIFIC MODELS

DIMENSIONAL DATA (2 Fan Models - Large Chassis)

DRAWING #4



**REFER TO PAGES 55-56 FOR
DIMENSIONAL DATA FOR SPECIFIC MODELS**

**DIMENSIONAL DATA
COPELAND MODELS**

MODEL BES	CHASSIS	DRAWING # (see table below)	OUTDOOR MODELS										INDOOR MODELS					
			WIDTH		DEPTH						HEIGHT		WIDTH		DEPTH		HEIGHT	
					Base	With Hood, add:		Wind Guard, add:										
			Inches	mm	Inches	mm	Inches	mm	Inches	mm	Inches	mm	Inches	mm	Inches	mm	Inches	mm
BESA008H2	A	1	24 7/8	632	30 3/8	772	4	102	6	152	16 7/8	429	24 5/8	625	30 3/8	772	16 1/2	419
BESA010H2	A	1	24 7/8	632	30 3/8	772	4	102	6	152	16 7/8	429	24 5/8	625	30 3/8	772	16 1/2	419
BESA015H2	B	1	36 3/8	924	30 3/8	772	4	102	7	178	19 7/8	505	36 3/8	924	30 3/8	772	19 1/2	495
BESA020H2	B	1	36 3/8	924	30 3/8	772	4	102	7	178	19 7/8	505	36 3/8	924	30 3/8	772	19 1/2	495
BESA030H2	C	2	43 7/8	1114	32 7/8	835	10 1/8	257	8	203	30 3/8	772	43 7/8	1114	32 7/8	835	30 3/16	767
BESA008M2	A	1	24 7/8	632	30 3/8	772	4	102	6	152	16 7/8	429	24 5/8	625	30 3/8	772	16 1/2	419
BESA010M2	A	1	24 7/8	632	30 3/8	772	4	102	6	152	16 7/8	429	24 5/8	625	30 3/8	772	16 1/2	419
BESA020M2	B	1	36 3/8	924	30 3/8	772	4	102	7	178	19 7/8	505	36 3/8	924	30 3/8	772	19 1/2	495
BESA021M2	B	1	36 3/8	924	30 3/8	772	4	102	7	178	19 7/8	505	36 3/8	924	30 3/8	772	19 1/2	495
BESA010M6	A	1	24 7/8	632	30 3/8	772	4	102	6	152	16 7/8	429	24 5/8	625	30 3/8	772	16 1/2	419
BESA015M6	B	1	36 3/8	924	30 3/8	772	4	102	7	178	19 7/8	505	36 3/8	924	30 3/8	772	19 1/2	495
BESA020M6	B	1	36 3/8	924	30 3/8	772	4	102	7	178	19 7/8	505	36 3/8	924	30 3/8	772	19 1/2	495
BESA021M6	B	1	36 3/8	924	30 3/8	772	4	102	7	178	19 7/8	505	36 3/8	924	30 3/8	772	19 1/2	495
BESA030M6	C	2	43 7/8	1114	32 7/8	835	10 1/8	257	8	203	30 3/8	772	43 7/8	1114	32 7/8	835	30 3/16	767
BESA050H8	D	2	52 1/8	1324	35 7/8	911	10 1/8	257	6	152	41 7/8	1064	52 1/8	1324	35 7/8	911	41 11/16	1059
BESA051H8	D	2	52 1/8	1324	35 7/8	911	10 1/8	257	6	152	41 7/8	1064	52 1/8	1324	35 7/8	911	41 11/16	1059
BESA075H8	D	2	52 1/8	1324	35 7/8	911	10 1/8	257	6	152	41 7/8	1064	52 1/8	1324	35 7/8	911	41 11/16	1059
BESA077H8	E	3	65 1/8	1654	35 7/8	911	7 1/8	181	6	152	41 7/8	1064	65 1/8	1654	35 7/8	911	41 11/16	1059
BESA080H8	E	3	65 1/8	1654	35 7/8	911	7 1/8	181	6	152	41 7/8	1064	65 1/8	1654	35 7/8	911	41 11/16	1059
BESA100H8	E	3	65 1/8	1654	35 7/8	911	7 1/8	181	6	152	41 7/8	1064	65 1/8	1654	35 7/8	911	41 11/16	1059
BESA120H8	F	4	75 7/8	1927	45 3/4	1162	13 1/4	349	16 5/8	422	45 1/2	1156	75 7/8	1927	45 3/4	1162	45 17/32	1156
BESA150H8	F	4	75 7/8	1927	45 3/4	1162	13 1/4	349	16 5/8	422	45 1/2	1156	75 7/8	1927	45 3/4	1162	45 17/32	1156
BESA005L6	A	1	24 7/8	632	30 3/8	772	4	102	6	152	16 7/8	429	24 5/8	625	30 3/8	772	16 1/2	419
BESA008L6	A	1	24 7/8	632	30 3/8	772	4	102	6	152	16 7/8	429	24 5/8	625	30 3/8	772	16 1/2	419
BESA010L6	A	1	24 7/8	632	30 3/8	772	4	102	6	152	16 7/8	429	24 5/8	625	30 3/8	772	16 1/2	419
BESA015L6	B	1	36 3/8	924	30 3/8	772	4	102	7	178	19 7/8	505	36 3/8	924	30 3/8	772	19 1/2	495
BESA020L6	B	1	36 3/8	924	30 3/8	772	4	102	7	178	19 7/8	505	36 3/8	924	30 3/8	772	19 1/2	495
BESA021L6	B	1	36 3/8	924	30 3/8	772	4	102	7	178	19 7/8	505	36 3/8	924	30 3/8	772	19 1/2	495
BESA030L6	C	2	43 7/8	1114	32 7/8	835	10 1/8	257	8	203	30 3/8	772	43 7/8	1114	32 7/8	835	30 3/16	767
BESA032L6	C	2	43 7/8	1114	32 7/8	835	10 1/8	257	8	203	30 3/8	772	43 7/8	1114	32 7/8	835	30 3/16	767
BESA035L 6/8	C	2	43 7/8	1114	32 7/8	835	10 1/8	257	8	203	30 3/8	772	43 7/8	1114	32 7/8	835	30 3/16	767
BESA040L 6/8	C	2	43 7/8	1114	32 7/8	835	10 1/8	257	8	203	30 3/8	772	43 7/8	1114	32 7/8	835	30 3/16	767
BESA060L 6/8	D	2	52 1/8	1324	35 7/8	911	10 1/8	257	6	152	41 7/8	1064	52 1/8	1324	35 7/8	911	41 11/16	1059
BESA061L 6/8	D	2	52 1/8	1324	35 7/8	911	10 1/8	257	6	152	41 7/8	1064	52 1/8	1324	35 7/8	911	41 11/16	1059
BESA075L 6/8	D	2	52 1/8	1324	35 7/8	911	10 1/8	257	6	152	41 7/8	1064	52 1/8	1324	35 7/8	911	41 11/16	1059
BESA090L 6/8	E	3	65 1/8	1654	35 7/8	911	7 1/8	181	6	152	41 7/8	1064	65 1/8	1654	35 7/8	911	41 11/16	1059
BESA100L 6/8	E	3	65 1/8	1654	35 7/8	911	7 1/8	181	6	152	41 7/8	1064	65 1/8	1654	35 7/8	911	41 11/16	1059
BESA130L 6/8	F	4	75 7/8	1927	45 3/4	1162	13 1/4	349	16 5/8	422	45 1/2	1156	75 7/8	1927	45 3/4	1162	45 17/32	1156
BESA150L 6/8	F	4	75 7/8	1927	45 3/4	1162	13 1/4	349	16 5/8	422	45 1/2	1156	75 7/8	1927	45 3/4	1162	45 17/32	1156
BESA220L 6/8	F	4	75 7/8	1927	45 3/4	1162	13 1/4	349	16 5/8	422	45 1/2	1156	75 7/8	1927	45 3/4	1162	45 17/32	1156

DRAWING #	PAGE #
1	53
2	54
3	55
4	56

**ANNUAL WALK-IN ENERGY FACTOR (AWEF) RATINGS
FOR HIGH/MEDIUM TEMP. APPLICATIONS**

COPELAND MODELS

BASE UNIT MODEL BESA	AWEF	
	OUTDOOR MODELS	INDOOR MODELS
BESA010M8	6.42	4.96
BESA020M8	7.30	5.45
BESA021M8	7.63	5.63
BESA030M8	7.59	5.84

BASE UNIT MODEL BESA	AWEF	
	OUTDOOR MODELS	INDOOR MODELS
BESA050H8	9.37	7.05
BESA075H8	9.05	6.67
BESA077H8	8.49	6.77
BESA080H8	8.49	6.63
BESA100H8	8.37	6.34
BESA120H8	8.41	6.48
BESA150H8	8.31	6.39

MODEL BES	CHASSIS	DRAWING # (see table below)	OUTDOOR MODELS										INDOOR MODELS					
			WIDTH		DEPTH						HEIGHT		WIDTH		DEPTH		HEIGHT	
					Base		With Hood, add:		Wind Guard, add:									
Inches	mm	Inches	mm	Inches	mm	Inches	mm	Inches	mm	Inches	mm	Inches	mm	Inches	mm	Inches	mm	
BESB010H8	A	1	24 7/8	632	30 3/8	772	4	102	6	152	16 7/8	429	24 5/8	625	30 3/8	772	16 1/2	419
BESB015H8		1	36 3/8	924	30 3/8	772	4	102	7	178	19 7/8	505	36 3/8	924	30 3/8	772	19 1/2	495
BESB020H8	B	1	36 3/8	924	30 3/8	772	4	102	7	178	19 7/8	505	36 3/8	924	30 3/8	772	19 1/2	495
BESB025H8		1	36 3/8	924	30 3/8	772	4	102	7	178	19 7/8	505	36 3/8	924	30 3/8	772	19 1/2	495
BESB029H8		2	43 7/8	1114	32 7/8	835	10 1/8	257	8	203	30 3/8	772	43 7/8	1114	32 7/8	835	30 3/16	767
BESB030H8	C	2	43 7/8	1114	32 7/8	835	10 1/8	257	8	203	30 3/8	772	43 7/8	1114	32 7/8	835	30 3/16	767
BESB035H8		2	43 7/8	1114	32 7/8	835	10 1/8	257	8	203	30 3/8	772	43 7/8	1114	32 7/8	835	30 3/16	767
BESB040H8		2	43 7/8	1114	32 7/8	835	10 1/8	257	8	203	30 3/8	772	43 7/8	1114	32 7/8	835	30 3/16	767
BESB050H8	D	2	52 1/8	1324	35 7/8	911	10 1/8	257	6	152	41 7/8	1064	52 1/8	1324	35 7/8	911	41 11/16	1059
BESB060H8		2	52 1/8	1324	35 7/8	911	10 1/8	257	6	152	41 7/8	1064	52 1/8	1324	35 7/8	911	41 11/16	1059
BESB076H8		3	65 1/8	1654	35 7/8	911	7 1/8	181	6	152	41 7/8	1064	65 1/8	1654	35 7/8	911	41 11/16	1059
BESB090H8	E	3	65 1/8	1654	35 7/8	911	7 1/8	181	6	152	41 7/8	1064	65 1/8	1654	35 7/8	911	41 11/16	1059
BESB100H8		3	65 1/8	1654	35 7/8	911	7 1/8	181	6	152	41 7/8	1064	65 1/8	1654	35 7/8	911	41 11/16	1059
BESB121H8		4	75 7/8	1927	45 3/4	1162	13 1/4	349	16 5/8	422	45 1/2	1156	75 7/8	1927	45 3/4	1162	45 17/32	1156
BESB150H8	F	4	75 7/8	1927	45 3/4	1162	13 1/4	349	16 5/8	422	45 1/2	1156	75 7/8	1927	45 3/4	1162	45 17/32	1156
BESB200H8		4	75 7/8	1927	45 3/4	1162	13 1/4	349	16 5/8	422	45 1/2	1156	75 7/8	1927	45 3/4	1162	45 17/32	1156
BESB010L 6/8	A	1	24 7/8	632	30 3/8	772	4	102	6	152	16 7/8	429	24 5/8	625	30 3/8	772	16 1/2	419
BESB015L 6/8		1	36 3/8	899	29 3/8	746	4	102	7	178	18 7/8	479	35 3/8	899	29 3/8	746	18 1/2	470
BESB020L 6/8	B	1	36 3/8	924	30 3/8	772	4	102	7	178	19 7/8	505	36 3/8	924	30 3/8	772	19 1/2	495
BESB025L 6/8		1	36 3/8	924	30 3/8	772	4	102	7	178	19 7/8	505	36 3/8	924	30 3/8	772	19 1/2	495
BESB030L 6/8		2	43 7/8	1114	32 7/8	835	10 1/8	257	8	203	30 3/8	772	43 7/8	1114	32 7/8	835	30 3/16	767
BESB031L 6/8	C	2	43 7/8	1114	32 7/8	835	10 1/8	257	8	203	30 3/8	772	43 7/8	1114	32 7/8	835	30 3/16	767
BESB039L 6/8		2	43 7/8	1114	32 7/8	835	10 1/8	257	8	203	30 3/8	772	43 7/8	1114	32 7/8	835	30 3/16	767
BESB050L 6/8	D	2	52 1/8	1324	35 7/8	911	10 1/8	257	6	152	41 7/8	1064	52 1/8	1324	35 7/8	911	41 11/16	1059
BESB060L 6/8		2	52 1/8	1324	35 7/8	911	10 1/8	257	6	152	41 7/8	1064	52 1/8	1324	35 7/8	911	41 11/16	1059
BESB080L 6/8		3	65 1/8	1654	35 7/8	911	7 1/8	181	6	152	41 7/8	1064	65 1/8	1654	35 7/8	911	41 11/16	1059
BESB100L 6/8	E	3	65 1/8	1654	35 7/8	911	7 1/8	181	6	152	41 7/8	1064	65 1/8	1654	35 7/8	911	41 11/16	1059
BESB120L 6/8		3	65 1/8	1654	35 7/8	911	7 1/8	181	6	152	41 7/8	1064	65 1/8	1654	35 7/8	911	41 11/16	1059

DRAWING #	PAGE #
1	53
2	54
3	55
4	56

ANNUAL WALK-IN ENERGY FACTOR (AWEF) RATINGS
FOR HIGH/MEDIUM TEMP. APPLICATIONS

BITZER MODELS

BASE UNIT MODEL BESA	AWEF	
	OUTDOOR MODELS	INDOOR MODELS
BESB010H8	5.88	4.67
BESB015H8	6.42	5.14
BESB020H8	6.64	5.23
BESB025H8	6.87	5.40
BESB029H8	7.25	5.85
BESB030H8	7.82	6.24
BESB035H8	7.87	6.25
BESB040H8	7.81	6.09

BASE UNIT MODEL BESA	AWEF	
	OUTDOOR MODELS	INDOOR MODELS
BESB050H8	8.32	6.57
BESB060H8	8.16	6.28
BESB076H8	8.09	6.42
BESB090H8	7.96	6.18
BESB100H8	8.37	6.41
BESB121H8	8.29	6.53
BESB150H8	8.31	6.46
BESB200H8	8.27	6.31

MODEL BES	UNIT CONNECTIONS				R404A		SHIPPING WEIGHT			
	SUCTION (OD)		LIQUID (OD)		RECEIVER CAPACITY 90% FULL *		OUTDOOR MODELS		INDOOR MODELS	
	Inches	mm	Inches	mm	Lbs.	Kgs	Lbs.	Kgs	Lbs.	Kgs
BESA008H2	1/2	13	3/8	10	6	2.7	240	109	230	104
BESA010H2	5/8	16	3/8	10	6	2.7	270	122	260	118
BESA015H2	7/8	22	3/8	10	16	7.3	310	141	295	134
BESA020H2	7/8	22	3/8	10	16	7.3	320	145	305	138
BESA030H2	7/8	22	1/2	13	25	11.3	477	216	432	196
BESA008M2	5/8	16	3/8	10	6	2.7	240	109	230	104
BESA010M2	5/8	16	3/8	10	6	2.7	270	122	260	118
BESA021M2	7/8	22	3/8	10	16	7.3	390	177	370	168
BESA010M6	5/8	16	3/8	10	5.2	2.4	270	122	260	118
BESA020M6	7/8	22	3/8	10	14	6.4	320	145	305	138
BESA021M6	7/8	22	3/8	10	14	6.4	390	177	370	168
BESA030M6	7/8	22	1/2	13	22	10.0	477	216	432	196
BESA050H8	1 1/8	29	1/2	13	31	14.1	766	347	721	327
BESA051H8	1 1/8	29	1/2	13	31	14.1	769	349	724	328
BESA075H8	1 3/8	35	5/8	16	31	14.1	780	354	735	333
BESA077H8	1 3/8	35	5/8	16	54	24.5	885	401	830	376
BESA080H8	1 3/8	35	5/8	16	54	24.5	885	401	830	376
BESA100H8	1 3/8	35	5/8	16	54	24.5	885	401	830	376
BESA120H8	1 3/8	35	7/8	22	76	34.5	1085	492	1030	467
BESA150H8	1 3/8	35	7/8	22	76	34.5	1085	492	1030	467
BESA005L6	1/2	13	3/8	10	5.2	2.4	240	109	230	104
BESA008L6	5/8	16	3/8	10	5.2	2.4	270	122	260	118
BESA010L6	5/8	16	3/8	10	5.2	2.4	290	132	275	125
BESA015L6	7/8	22	3/8	10	14	6.4	315	143	300	136
BESA020L6	7/8	22	3/8	10	14	6.4	385	175	370	168
BESA021L6	7/8	22	3/8	10	14	6.4	390	177	375	170
BESA030L6	1 1/8	29	1/2	13	22	10.0	493	224	448	203
BESA032L6	1 1/8	29	1/2	13	22	10.0	491	223	446	202
BESA035L 6/8	1 1/8	29	1/2	13	22	10.0	588	267	543	246
BESA040L 6/8	1 1/8	29	1/2	13	22	10.0	618	280	573	260
BESA060L 6/8	1 1/8	29	1/2	13	31	14.1	781	354	736	334
BESA061L 6/8	1 3/8	35	5/8	16	31	14.1	819	371	774	351
BESA075L 6/8	1 3/8	35	5/8	16	31	14.1	827	375	782	355
BESA090L 6/8	1 3/8	35	5/8	16	54	24.5	885	401	830	376
BESA100L 6/8	1 3/8	35	5/8	16	54	24.5	885	401	830	376
BESA130L 6/8	1 5/8	41	7/8	22	76	34.5	1185	538	1130	513
BESA150L 6/8	1 5/8	41	7/8	22	76	34.5	1185	538	1130	513
BESA220L 6/8	2 1/8	54	7/8	22	76	34.5	1185	538	1130	513

*** NOTE ON ALTERNATE REFRIGERANTS:**

* PUBLISHED RECEIVER CAPACITY IS BASED ON **R404A** ON MODELS USING "8" AS REFRIGERANT CODE.
FOR ALTERNATE REFRIGERANTS, MULTIPLY **R404A** VALUE BY THE APPROPRIATE VALUE BELOW:

R407A	R407C	R448A	R507	R22
1.10	1.10	1.05	1.00	1.15

- For R449A, use R448A data.

MODEL BES	UNIT CONNECTIONS				R404A RECEIVER CAPACITY 90% FULL *		SHIPPING WEIGHT			
	SUCTION (OD)		LIQUID (OD)		Lbs.	Kgs	OUTDOOR MODELS		INDOOR MODELS	
	Inches	mm	Inches	mm			Lbs.	Kgs	Lbs.	Kgs
BESB010H8	5/8	16	3/8	10	5.2	2	275	125	260	118
BESB015H8	7/8	22	3/8	10	14	6	350	159	330	150
BESB020H8	7/8	22	3/8	10	14	6	360	163	340	154
BESB025H8	7/8	22	3/8	10	14	6	375	170	355	161
BESB029H8	1 1/8	29	1/2	13	22	10	386	175	361	164
BESB030H8	1 1/8	29	1/2	13	22	10	437	198	392	178
BESB035H8	1 1/8	29	1/2	13	22	10	449	204	404	183
BESB040H8	1 1/8	29	1/2	13	22	10	452	205	407	185
BESB050H8	1 1/8	29	5/8	16	31	14.1	648	294	603	274
BESB060H8	1 3/8	35	5/8	16	31	14.1	652	296	607	275
BESB076H8	1 3/8	35	5/8	16	54	24.5	700	318	660	299
BESB090H8	1 3/8	35	5/8	16	54	24.5	750	340	695	315
BESB100H8	1 3/8	35	5/8	16	54	24.5	800	363	745	338
BESB121H8	1 3/8	35	7/8	22	76	34.5	1005	456	950	431
BESB150H8	1 5/8	41	7/8	22	76	34.5	1005	456	950	431
BESB200H8	1 5/8	41	7/8	22	76	34.5	1005	456	950	431
BESB010L 6/8	5/8	16	3/8	10	5.2	2	275	125	260	118
BESB015L 6/8	7/8	22	3/8	10	14	6	350	159	330	150
BESB020L 6/8	7/8	22	3/8	10	14	6	360	163	340	154
BESB025L 6/8	7/8	22	3/8	10	14	6	375	170	355	161
BESB030L 6/8	1 1/8	29	1/2	13	22	10	436	198	391	177
BESB031L 6/8	1 1/8	29	1/2	13	22	10	463	210	418	190
BESB039L 6/8	1 1/8	29	1/2	13	22	10	479	217	434	197
BESB050L 6/8	1 3/8	35	5/8	16	31	14.1	647	293	602	273
BESB060L 6/8	1 3/8	35	5/8	16	31	14.1	658	298	613	278
BESB080L 6/8	1 3/8	35	5/8	16	54	24.5	790	358	735	333
BESB100L 6/8	1 3/8	35	5/8	16	54	24.5	800	363	745	338
BESB120L 6/8	1 3/8	35	5/8	16	54	24.5	805	365	750	340

*** NOTE ON ALTERNATE REFRIGERANTS:**

* PUBLISHED RECEIVER CAPACITY IS BASED ON **R404A** ON MODELS USING "8" AS REFRIGERANT CODE.
FOR ALTERNATE REFRIGERANTS, MULTIPLY **R404A** VALUE BY THE APPROPRIATE VALUE BELOW:

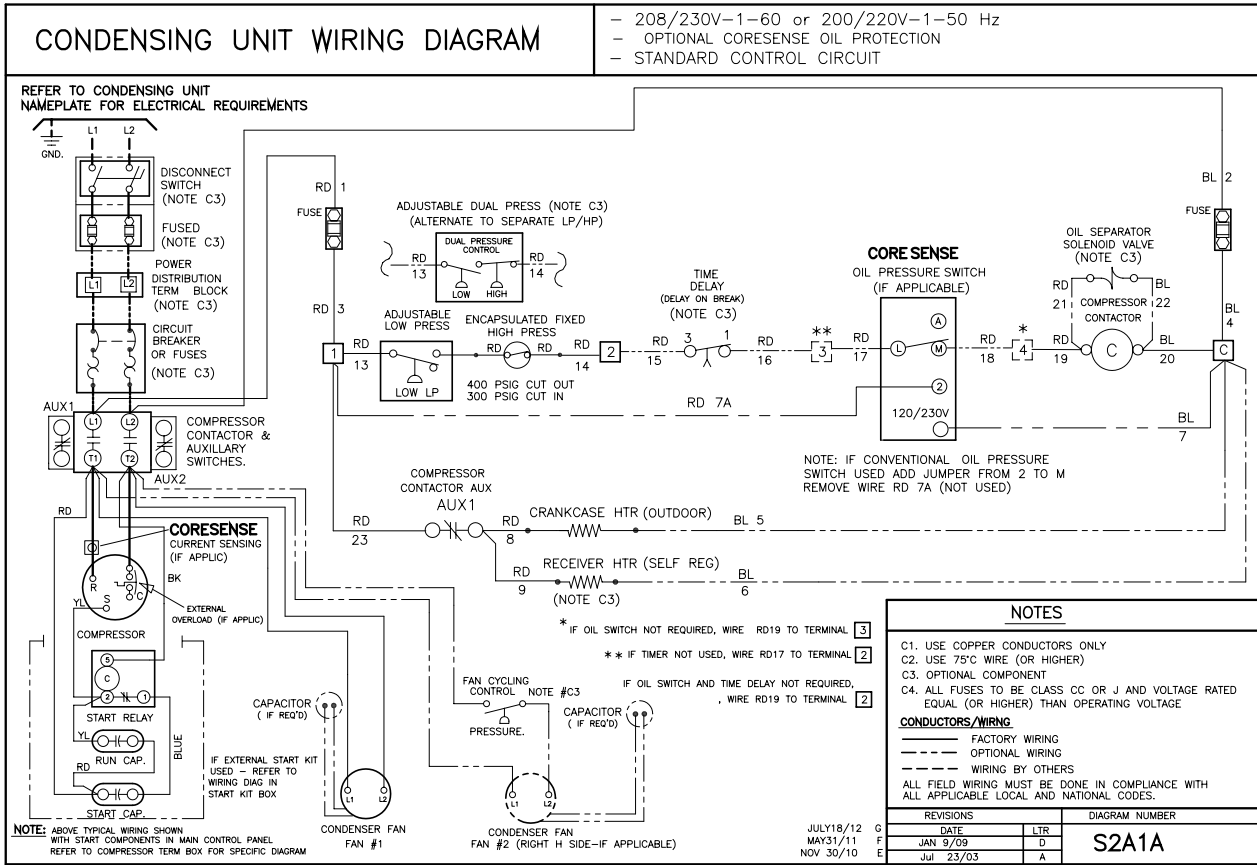
R407A	R407C	R448A	R507	R22
1.10	1.10	1.05	1.00	1.15

- For R449A, use R448A data.

TYPICAL SYSTEM WIRING DIAGRAM

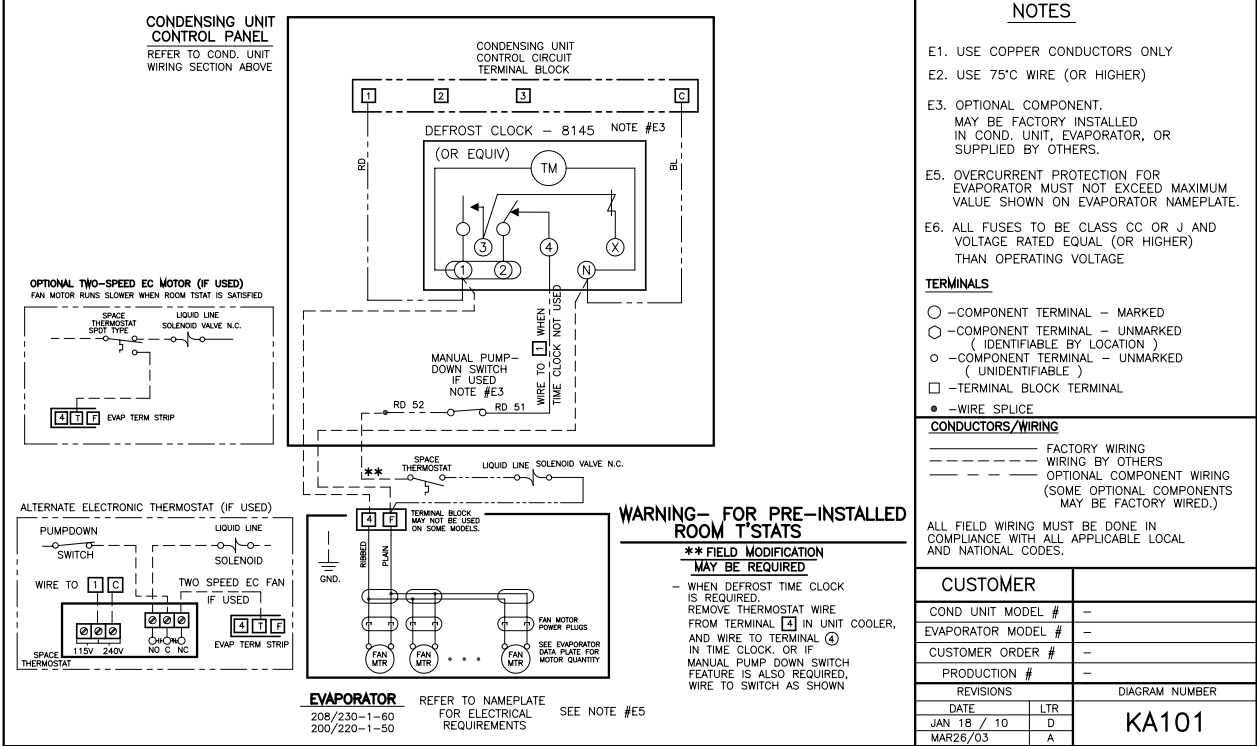
208-230/1/60 Unit

with 230V Air Defrost Evaporator



TYPICAL EVAPORATOR WIRING: FOR SINGLE AIR DEFROST EVAPORATOR– SINGLE POINT

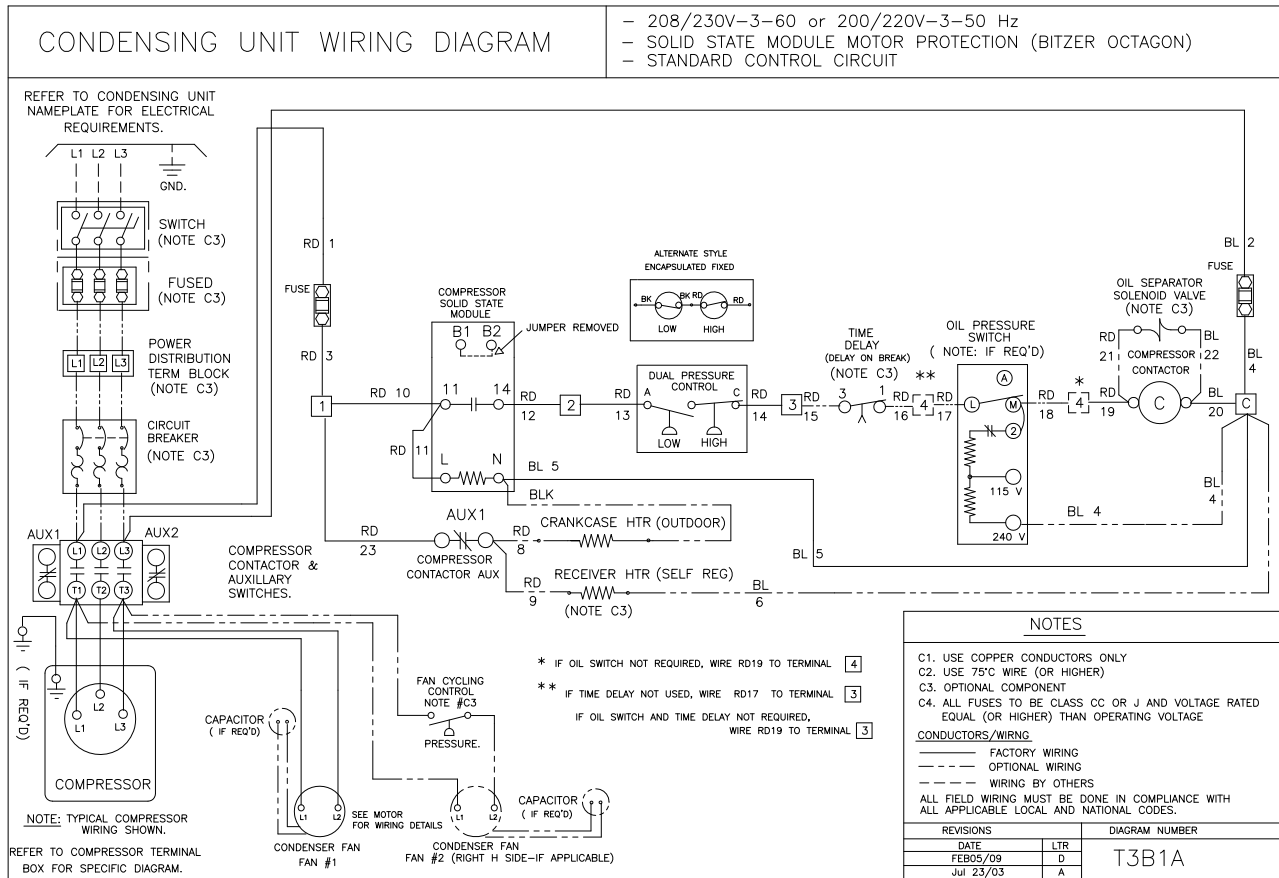
FOR USE WITH: 208/230–1–60, 200/220–1–50 OR 208/230–3–60, 200/220–3–50 CONDENSING UNITS WITH OR WITHOUT DEFROST TIME CLOCK AND FOR TOTAL EVAP FAN AMPS NOT EXCEEDING 12A



TYPICAL SYSTEM WIRING DIAGRAM

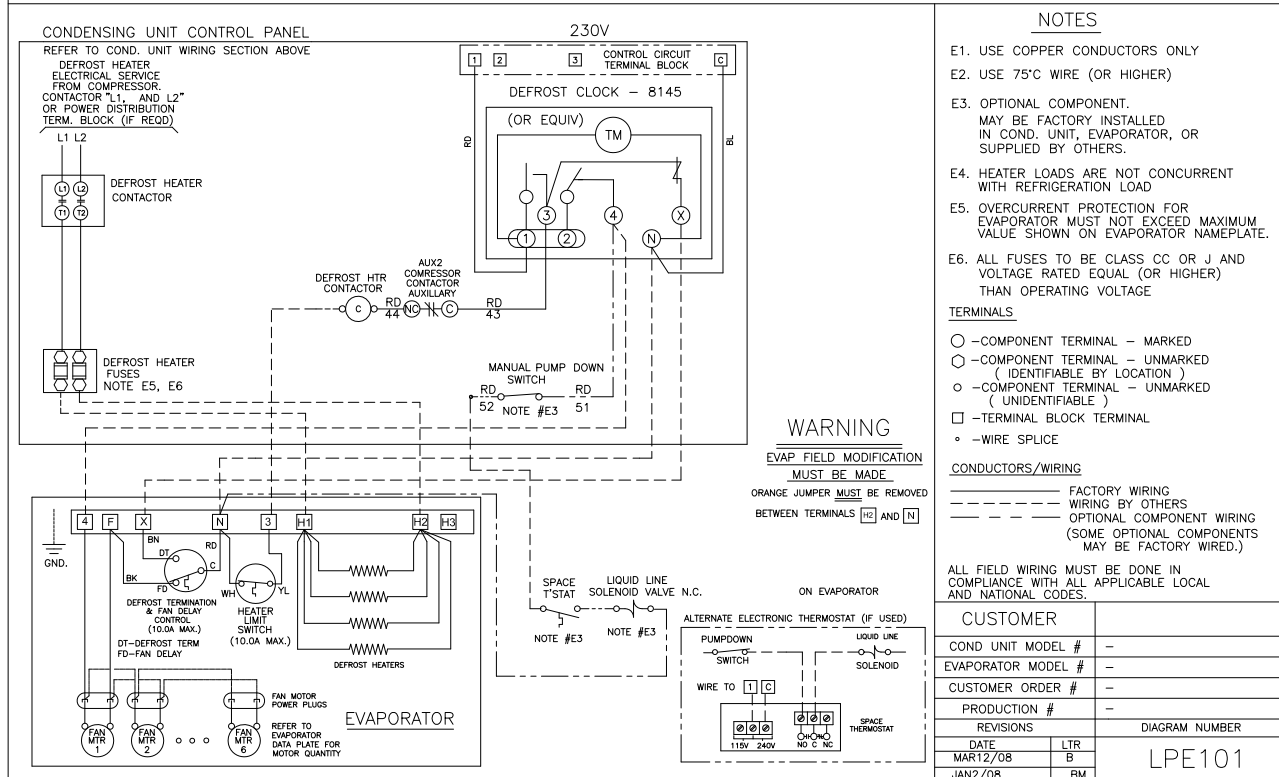
208-230/3/60 Unit

with 230V Electric Defrost Evaporator



TYPICAL EVAPORATOR WIRING: FOR SINGLE LOW PROFILE ELECT 1 PHASE DEFROST EVAPORATOR-SINGLE POINT

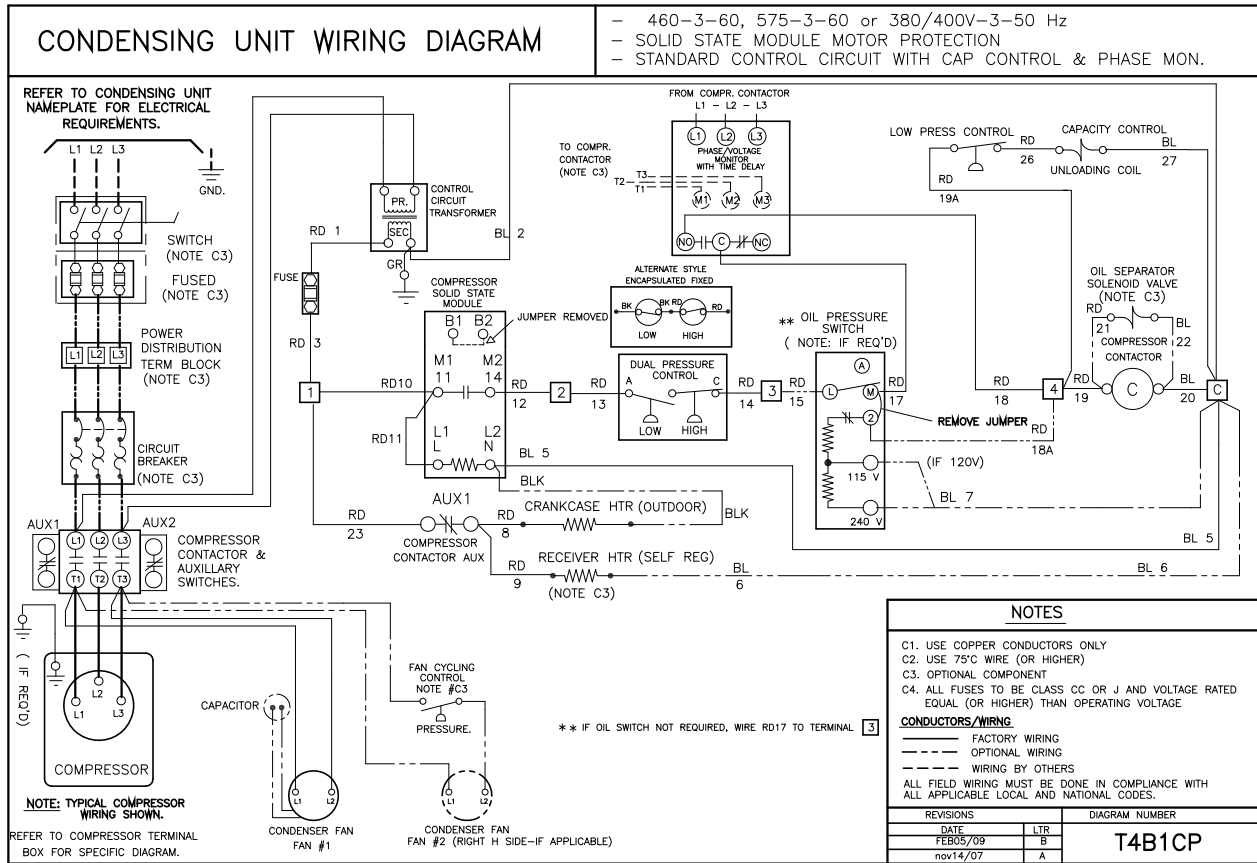
FOR USE WITH: 230V SINGLE OR THREE PHASE CONDENSING UNITS WITH DEFROST TIME CLOCK, AND DEFROST HEATER CONTACTOR



TYPICAL SYSTEM WIRING DIAGRAM

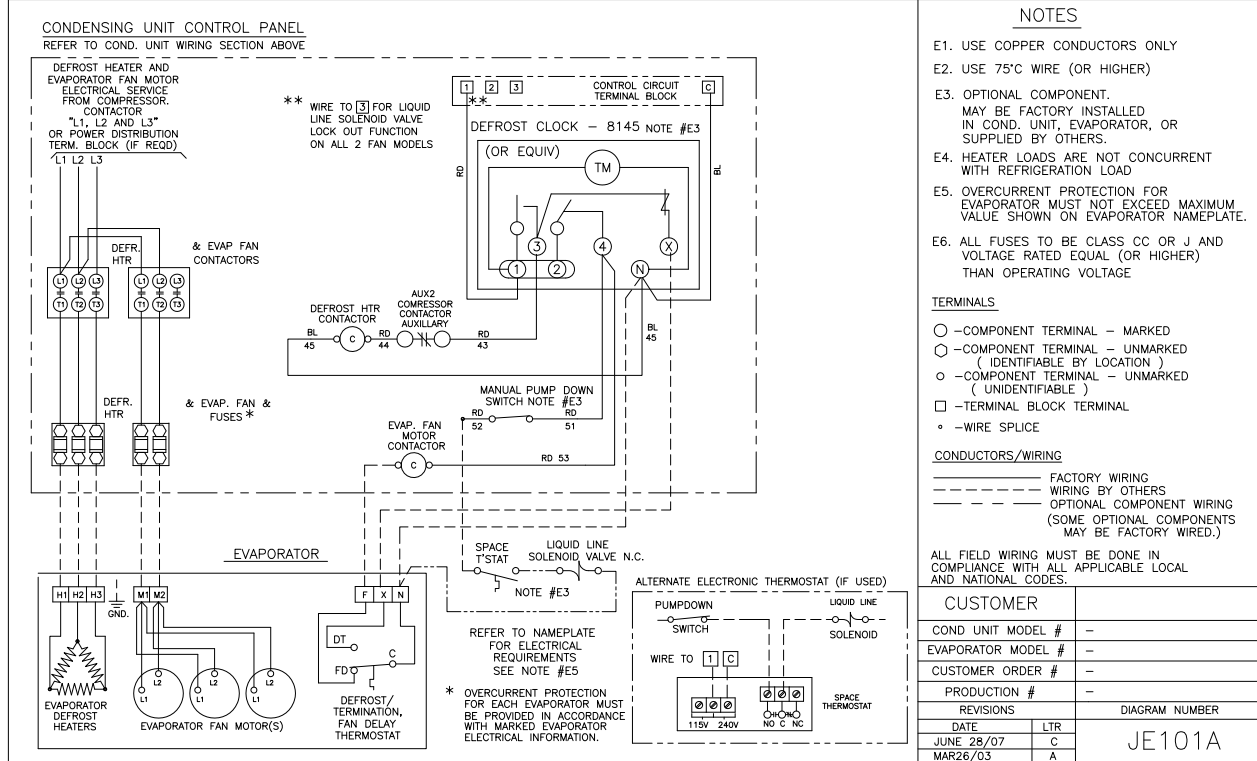
460/3/60 or 575/3/60 Unit

with 460 or 575V Electric Defrost Evaps

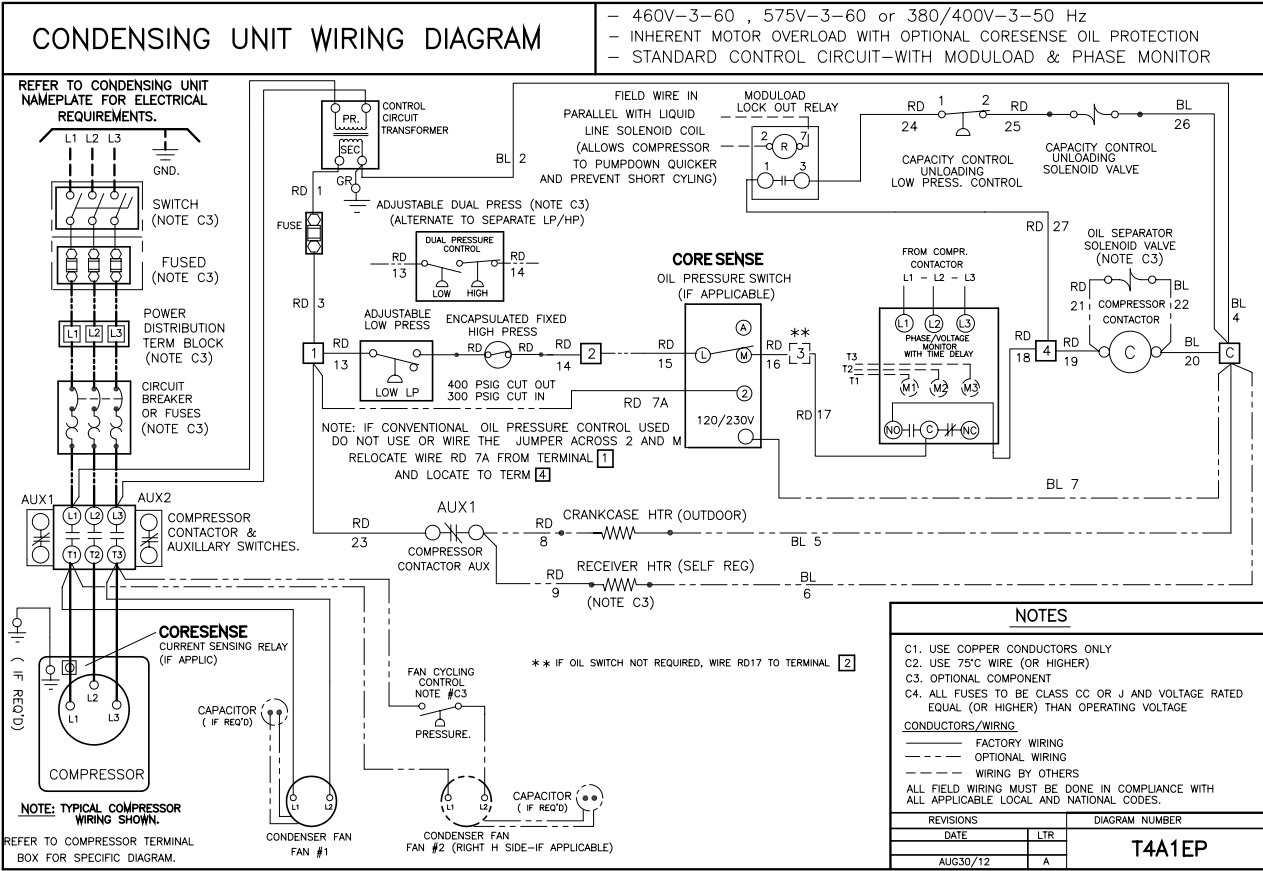


TYPICAL EVAPORATOR WIRING: FOR SINGLE MED PROFILE ELECT DEFROST EVAPORATOR- SINGLE POINT

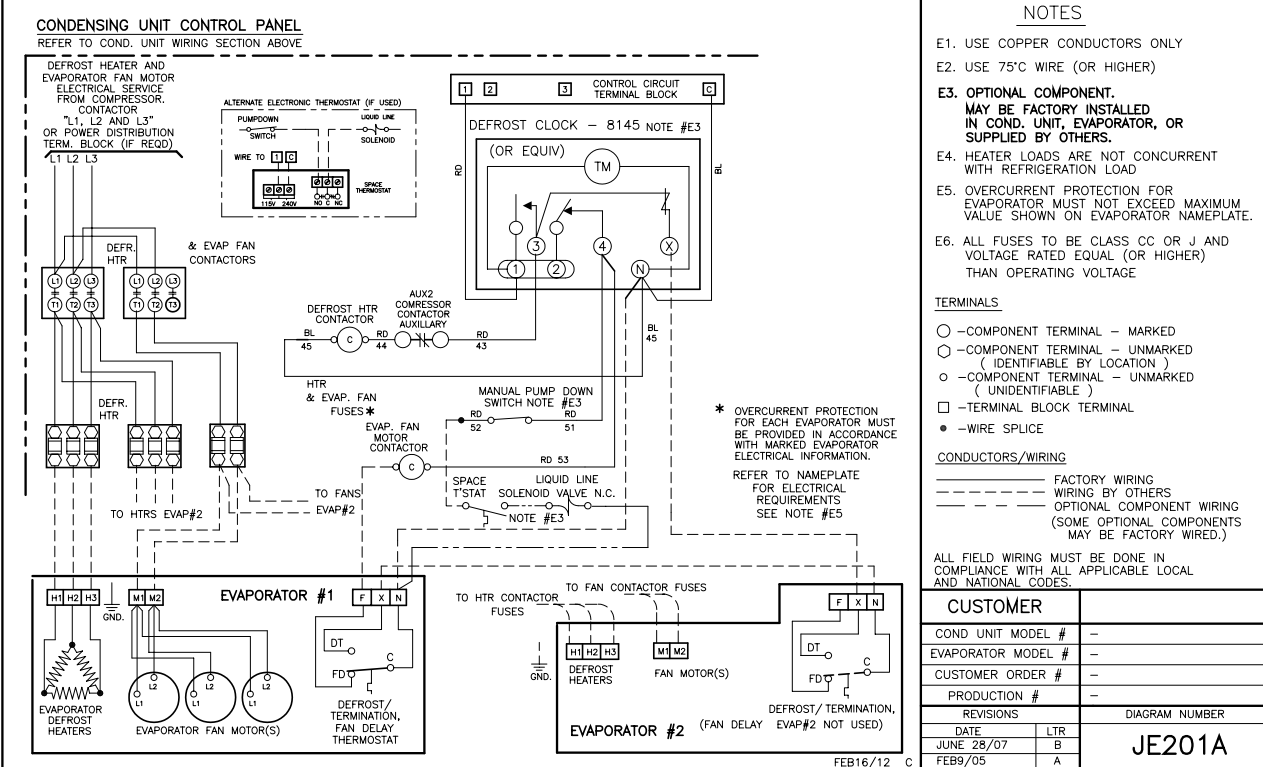
FOR USE WITH: THREE PHASE CONDENSING UNITS WITH DEFROST TIME CLOCK, & EVAP FAN AND DEF. HTR. CONTACTORS.



460/3/60 or 575/3/60 Unit with Two (2) 460 or 575V Electric Defrost Evaps



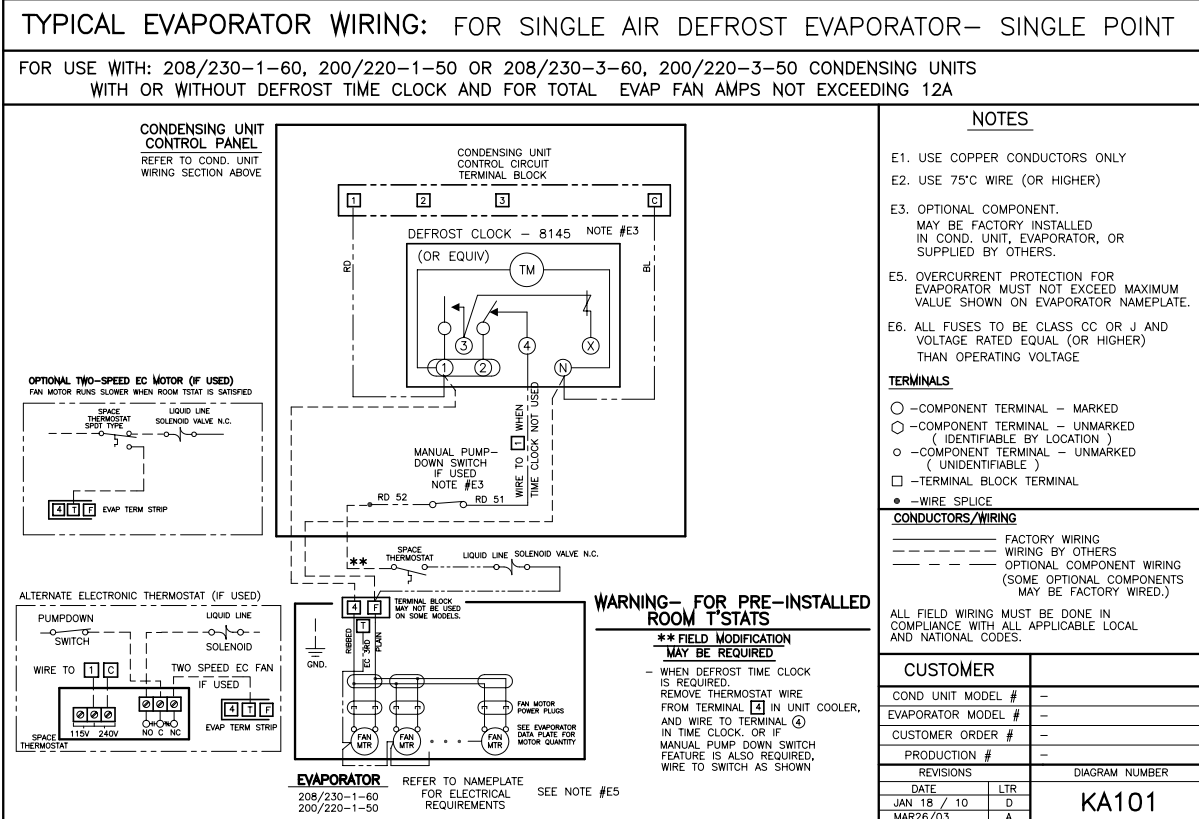
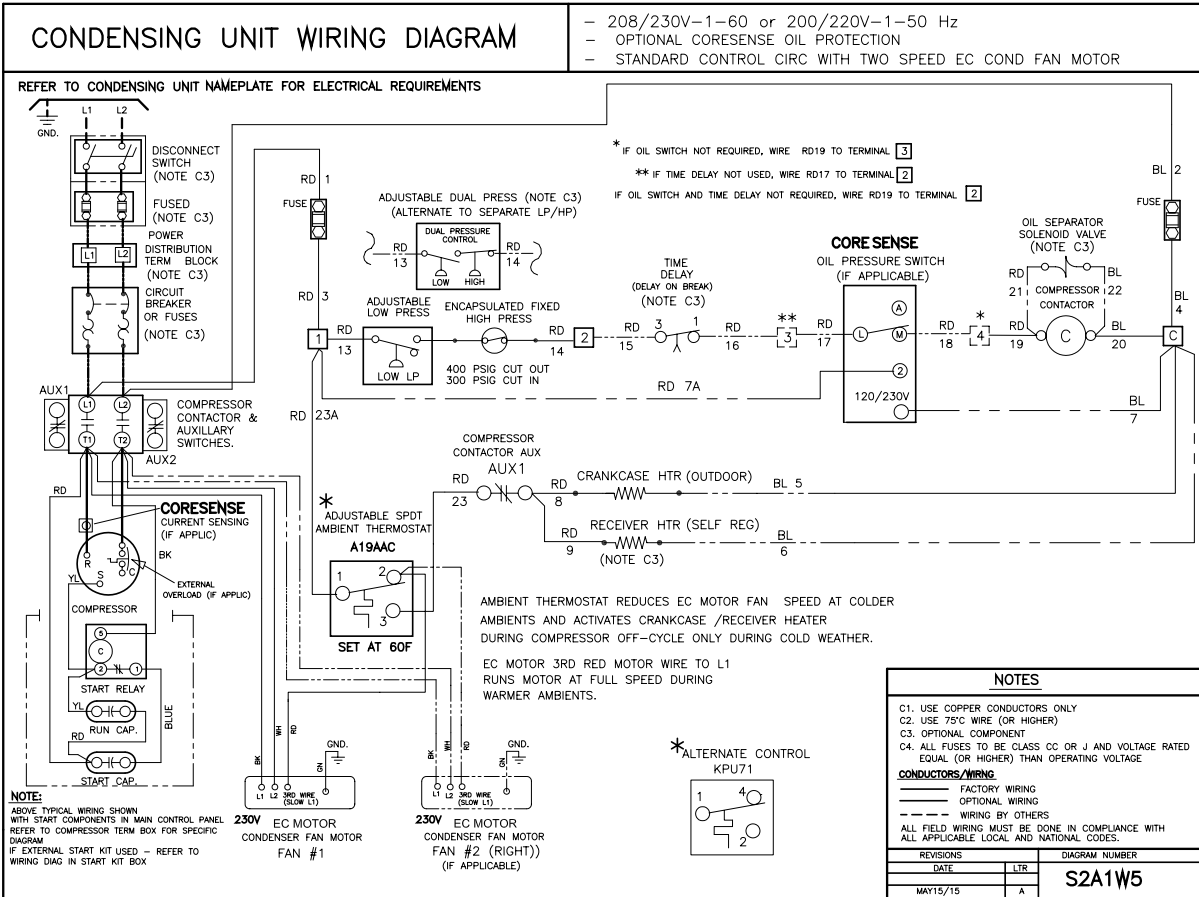
TYPICAL EVAPORATOR WIRING: FOR TWO MED PROFILE ELECT DEFROST EVAPORATORS- SINGLE POINT FOR USE WITH: THREE PHASE CONDENSING UNITS WITH DEFROST TIME CLOCK, & EVAP FAN AND DEFR. HTR. CONTACTORS.



TYPICAL SYSTEM WIRING DIAGRAM

208-230/1/60 Unit with SMARTSPEED™

with 230V Air Defrost Evaporator




System	
Model Number	Date of Start-Up
Serial Number	Service Contractor
Refrigerant	Phone
Electrical Supply	E-mail


 <p>PRODUCT SUPPORT</p>	<p><i>web:</i> b-rp.ca/bes <i>email:</i> smcu@b-rp.ca <i>call:</i> 1-844-893-3222 x521</p>
---	---

 <p>TROUBLESHOOTING</p>	<p><i>email:</i> troubleshooting@b-rp.ca <i>call:</i> 1-844-893-3222 x529</p>
---	---

 <p>SERVICE PARTS</p>	<p><i>web:</i> b-rp.ca/parts <i>email:</i> parts@b-rp.ca <i>call:</i> 1-844-893-3222 x501</p>
---	--

 <p>WARRANTY</p>	<p><i>web:</i> b-rp.ca/warranty <i>email:</i> warranty@b-rp.ca <i>call:</i> 1-844-893-3222 x501</p>
---	--

 <p>ORDERS</p>	<p><i>email:</i> orders@b-rp.ca <i>call:</i> 1-844-893-3222 x501</p>
--	--

 <p>SHIPPING</p>	<p><i>email:</i> shipping@b-rp.ca <i>call:</i> 1-844-893-3222 x503</p>
--	--



General Sales, Parts & Service, Manufacturing & Engineering
135 Little Nine Drive, Morehead City, NC 28557
252-240-2829 • 1-800-24-BALLY • FAX: 252-240-0384
e-mail: ballysales@ballyrefboxes.com • www.ballyrefboxes.com



DISTRIBUTED BY: _____

Due to the manufacturer's policy of continuous product improvement, we reserve the right to make changes without notice.