



BEH-Line Condensing Units

PRODUCT DATA & SPECIFICATIONS

Bulletin B40-BEH-PDS-10

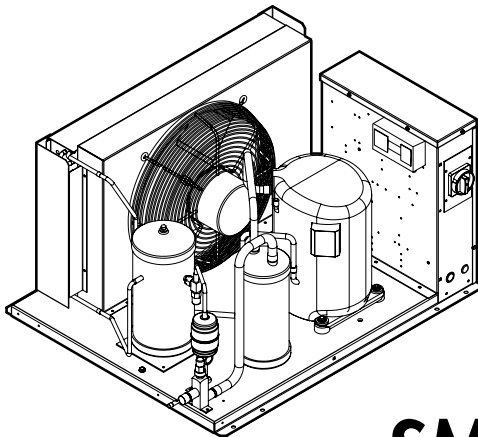
Part # 1087389

	PRODUCT SUPPORT	
	web: b-rp.ca/beh	
	email: smcu@b-rp.ca	
	call: 1-844-893-3222 x521	

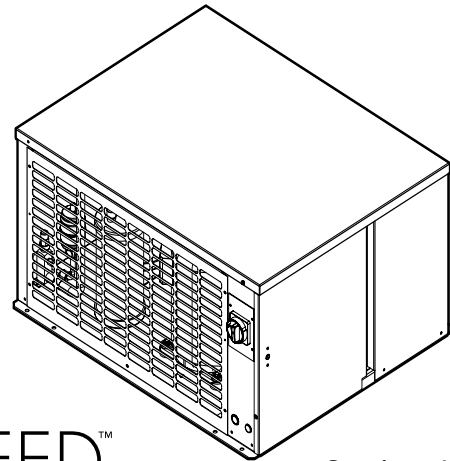
60
Hz

Indoor/Outdoor
Air-Cooled Hermetic
Condensing Units

1 to 7.5 HP -
High, Medium and Low
Temperature Refrigeration



Indoor Unit



Outdoor Unit

SMARTSPEED™

FAN MOTOR TECHNOLOGY

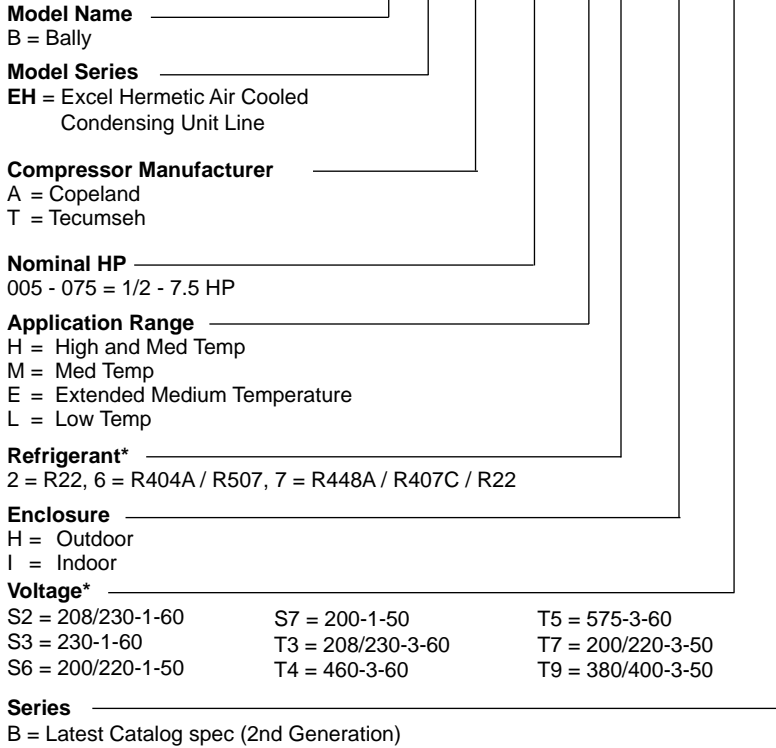
See Page 4 for details

CONTENTS

	Page
Nomenclature.....	2
Features and Options.....	2 - 3
SMARTSPEED™ Fan Motor Technology	4
Capacity Data (Imperial and <i>Metric</i>).....	5 - 18
Electrical Data.....	19 - 22
Dimensional Data.....	23 - 26
Annual Walk-In Energy Factor (AWEF) Ratings.....	27 - 28
Specifications.....	27 - 28
Wiring Diagrams.....	29 - 33
Wiring Diagrams - Models with SMARTSPEED™	34
Project Information.....	35
Product Support Resources.....	BACK

NOMENCLATURE

B E H A 020 E 6 - H T4 B - A



Model Name

B = Bally

Model Series

EH = Excel Hermetic Air Cooled
Condensing Unit Line

Compressor Manufacturer

A = Copeland
T = Tecumseh

Nominal HP

005 - 075 = 1/2 - 7.5 HP

Application Range

H = High and Med Temp
M = Med Temp
E = Extended Medium Temperature
L = Low Temp

Refrigerant*

2 = R22, 6 = R404A / R507, 7 = R448A / R407C / R22

Enclosure

H = Outdoor
I = Indoor

Voltage*

S2 = 208/230-1-60	S7 = 200-1-50	T5 = 575-3-60
S3 = 230-1-60	T3 = 208/230-3-60	T7 = 200/220-3-50
S6 = 200/220-1-50	T4 = 460-3-60	T9 = 380/400-3-50

Series

B = Latest Catalog spec (2nd Generation)

* subject to compressor availability

Optional Feature Packages (Factory Mounted)

- A = Standard Features (see below)
- B = Standard Features (see below)
Plus Sealed Liquid Line Filter Drier and Sight Glass
- C = Standard Features (see below)
*Plus Sealed Liquid Line Filter Drier and Sight Glass
Plus Suction Accumulator
Plus Electric Defrost Kit*
- D = Standard Features (see below)
*Plus Sealed Liquid Line Filter Drier and Sight Glass
Plus Heated and Insulated Receiver*
- E = Standard Features (see below)
*Plus Sealed Liquid Line Filter Drier and Sight Glass
Plus Heated and Insulated Receiver
Plus Suction Accumulator
Plus Electric Defrost Kit*
- F = Standard Features (see below)
*Plus Sealed liquid line filter drier and sight glass
Plus Electric Defrost Kit*
- G = Standard Features (see below)
*Plus Sealed liquid line filter drier and sight glass
Plus Electric Defrost Kit
Plus Heated and insulated receiver*
- H = Standard Features (see below)
*Plus Sealed Liquid Line Filter Drier and Sight Glass
Plus Timeclock*
- J = Standard Features (see below)
*Plus Sealed Liquid Line Filter Drier and Sight Glass
Plus Heated and insulated receiver
Plus Suction Accumulator*

STANDARD FEATURES

Indoor Unit:

- Weatherproof electrical control box with compressor contactor and fused control circuit
- Welded-hermetic compressor (Copeland or Tecumseh)
- High efficiency enhanced tube and fin condenser design
- Pre-formed piping
- Quiet fan motor operation
- Energy efficient PSC condenser fan motor
- Electrical control panel away from air flow stream
- Wide-open front design, spring latches and handle on 5Hp MT & HT or larger
- Unit leak tested and shipped with helium holding charge
- Painted cabinet

- Receiver with fusible plug and liquid shut off valve
- Suction service valve
- Copper tubing secured with cushion clamps
- Fixed high and low pressure control

Outdoor Unit: All Standard Features of Indoor Unit, Plus:

- Outdoor painted weather-resistant housing with removable hood
- Flooded head pressure control (non adjustable)
- Crankcase heater

OPTIONAL FEATURE PACKAGES (Factory Mounted)

Package A:

- Standard Features (see pg. 2)

Package B:

- Standard Features (see pg. 2)
- *Plus* Sealed Liquid Line Filter Drier & Sight Glass

Package C:

- Standard Features (see pg. 2)
- *Plus* Sealed Liquid Line Filter Drier & Sight Glass
- *Plus* Suction Accumulator
- *Plus* Electric Defrost Kit

Package D:

- Standard Features (see pg. 2)
- *Plus* Sealed Liquid Line Filter Drier & Sight Glass
- *Plus* Heated and Insulated Receiver

Package E:

- Standard Features (see pg. 2)
- *Plus* Sealed Liquid Line Filter Drier & Sight Glass
- *Plus* Heated and Insulated Receiver
- *Plus* Suction Accumulator
- *Plus* Electric Defrost Kit

Package F:

- Standard Features (see pg. 2)
- *Plus* Sealed liquid line filter drier and sight glass
- *Plus* Electric Defrost Kit

Package G:

- Standard Features (see pg. 2)
- *Plus* Sealed liquid line filter drier and sight glass
- *Plus* Electric Defrost Kit
- *Plus* Heated and insulated receiver

Package H:

- Standard Features (see pg. 2)
- *Plus* Sealed Liquid Line Filter Drier and Sight Glass
- *Plus* Timeclock

Package J:

- Standard Features (see pg. 2)
- *Plus* Sealed Liquid Line Filter Drier and Sight Glass
- *Plus* Heated and insulated receiver
- *Plus* Suction Accumulator

AVAILABLE OPTIONS

- Sealed suction filter
- Suction accumulator
- Suction accumulator with boil-out coil
- Heated and insulated receiver
- Sealed liquid line filter drier and sight glass
- Liquid line solenoid valve with 230-volt coil (shipped loose)
- Compressor circuit breaker
- Compressor time delay relay
- Adjustable low pressure control with flex hose
- Variable speed EC motors only as head pressure control (see Bulletin B40-HPC-AG for details)
- QuickVac Evacuation and Refrigerant Recovery Valves
- **SmartSpeed Fan Motor Technology (see page 4)**
- Galvanized Cabinet
- Pump down toggle switch
- Electric defrost kit with mechanical time clock and contactors, as required
- Hoffman variable fan speed control
- Lockout control circuit relay (for liquid solenoid valve)
- Disconnect switch (fused or non-fused)
- Electronic phase / voltage monitor
- Leg kit or air discharge hood

US Patent No.
9,297,567

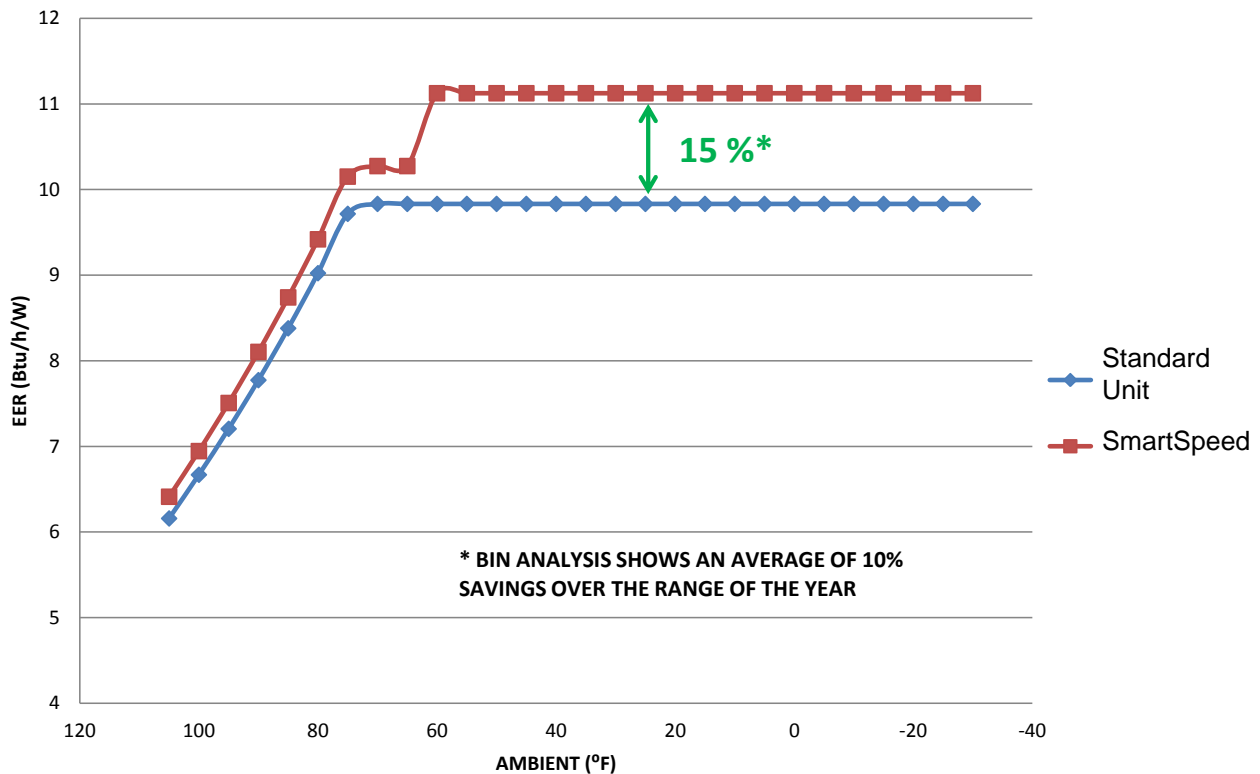
DESIGN FEATURES



• Available on 1/2 - 5 HP
Hermetic, Scroll or Semi-Hermetic Condensing Units

- No special controls required. No worries about wind or cold climates.
- Ambients above 60°F - EC motor operates at full speed, crankcase heater and heated + insulated receiver disabled from control circuit
- Ambients below 60°F - EC motor operates at low speed, crankcase heater and heated + insulated receiver enabled from control circuit

Condensing Unit EER - Standard Unit vs. SmartSpeed



**Refer to
Page 39
For Wiring
Details**

Condensing Unit with SmartSpeed Power Consumption Per Motor		
Chassis Size (see pages 29-30)	Ambients above 60°F. Fan Full Speed. Crackcase and Receiver Heaters Off.	Ambients below 60°F. Fan Low Speed. Crackcase and Receiver Heaters On.
A	102 W	19 W
B	168 W	37 W
C	362 W	76 W

CAPACITY DATA - R448A
HIGH / MEDIUM TEMPERATURE

MODEL BEH	SATURATED SUCTION TEMPERATURE		CAPACITY BTU/H (WATTS) R448A AMBIENT TEMPERATURE °F (°C)							
	° F	° C	80 (26.6)	85 (29.4)	90 (32.2)	95 (35.0)	100 (37.8)	105 (40.6)	110 (43.3)	
BEHA005H7 Compressor Model RST45C1E	45 (7.2)		10310 (3020)	9880 (2900)	9440 (2770)	9010 (2640)	8580 (2510)	8150 (2390)	7720 (2260)	
	40 (4.4)		9310 (2730)	8910 (2610)	8530 (2500)	8130 (2380)	7730 (2270)	7340 (2150)	6950 (2040)	
	35 (1.7)		8380 (2460)	8010 (2350)	7670 (2250)	7300 (2140)	6950 (2040)	6580 (1930)	6230 (1830)	
	30 (-1.1)		7510 (2200)	7190 (2110)	6860 (2010)	6530 (1910)	6210 (1820)	5890 (1730)	5550 (1630)	
	25 (-3.9)		6700 (1960)	6410 (1880)	6110 (1790)	5820 (1710)	5520 (1620)	5240 (1540)	4950 (1450)	
	20 (-6.7)		5950 (1740)	5690 (1670)	5430 (1590)	5160 (1510)	4900 (1440)	4640 (1360)	4380 (1280)	
	15 (-9.4)		5260 (1540)	5030 (1470)	4800 (1410)	4570 (1340)	4340 (1270)	4100 (1200)	3860 (1130)	
10 (-12.2)		4630 (1360)	4420 (1300)	4210 (1230)	4010 (1180)	3800 (1110)	3590 (1050)	3390 (990)		
BEHA008H7 Compressor Model RST55C1E	45 (7.2)		12300 (3600)	11800 (3460)	11200 (3280)	10700 (3140)	10260 (3010)	9780 (2870)	9300 (2730)	
	40 (4.4)		11200 (3280)	10700 (3140)	10240 (3000)	9770 (2860)	9290 (2720)	8840 (2590)	8410 (2460)	
	35 (1.7)		10210 (2990)	9730 (2850)	9270 (2720)	8820 (2580)	8380 (2460)	7960 (2330)	7550 (2210)	
	30 (-1.1)		9210 (2700)	8770 (2570)	8340 (2440)	7920 (2320)	7510 (2200)	7120 (2090)	6750 (1980)	
	25 (-3.9)		8250 (2420)	7850 (2300)	7460 (2190)	7070 (2070)	6690 (1960)	6330 (1860)	5990 (1760)	
	20 (-6.7)		7370 (2160)	7000 (2050)	6630 (1940)	6270 (1840)	5930 (1740)	5600 (1640)	5280 (1550)	
	15 (-9.4)		6540 (1920)	6200 (1820)	5870 (1720)	5540 (1620)	5230 (1530)	4910 (1440)	4630 (1360)	
10 (-12.2)		5780 (1690)	5470 (1600)	5160 (1510)	4870 (1430)	4590 (1350)	4320 (1270)	4040 (1180)		
BEHA010H7 Compressor Model RST70C1E	45 (7.2)		14900 (4370)	14300 (4190)	13800 (4040)	13100 (3840)	12600 (3690)	12000 (3520)	11400 (3340)	
	40 (4.4)		13800 (4040)	13100 (3840)	12600 (3690)	12100 (3550)	11600 (3400)	11000 (3220)	10490 (3070)	
	35 (1.7)		12600 (3690)	12100 (3550)	11600 (3400)	11100 (3250)	10600 (3110)	10100 (2960)	9610 (2820)	
	30 (-1.1)		11600 (3400)	11000 (3220)	10600 (3110)	10130 (2970)	9670 (2830)	9210 (2700)	8760 (2570)	
	25 (-3.9)		10460 (3070)	10050 (2950)	9630 (2820)	9210 (2700)	8790 (2580)	8360 (2450)	7940 (2330)	
	20 (-6.7)		9480 (2780)	9090 (2660)	8730 (2560)	8330 (2440)	7940 (2330)	7550 (2210)	7150 (2100)	
	15 (-9.4)		8550 (2510)	8200 (2400)	7850 (2300)	7500 (2200)	7130 (2090)	6770 (1980)	6410 (1880)	
10 (-12.2)		7670 (2250)	7340 (2150)	7020 (2060)	6700 (1960)	6370 (1870)	6040 (1770)	5700 (1670)		
BEHA011H7 Compressor Model RST80C1E	45 (7.2)		16600 (4860)	16100 (4720)	15400 (4510)	14800 (4340)	14200 (4160)	13500 (3960)	12900 (3780)	
	40 (4.4)		15400 (4510)	14900 (4370)	14300 (4190)	13800 (4040)	13100 (3840)	12500 (3660)	11900 (3490)	
	35 (1.7)		14200 (4160)	13700 (4020)	13100 (3840)	12600 (3690)	12100 (3550)	11400 (3340)	10900 (3190)	
	30 (-1.1)		13000 (3810)	12600 (3690)	12100 (3550)	11600 (3400)	11000 (3220)	10490 (3070)	9940 (2910)	
	25 (-3.9)		12000 (3520)	11400 (3340)	11000 (3220)	10500 (3080)	10020 (2940)	9520 (2790)	9020 (2640)	
	20 (-6.7)		10800 (3170)	10410 (3050)	9960 (2920)	9510 (2790)	9060 (2660)	8600 (2520)	8130 (2380)	
	15 (-9.4)		9780 (2870)	9400 (2750)	8990 (2630)	8570 (2510)	8140 (2390)	7710 (2260)	7280 (2130)	
10 (-12.2)		8790 (2580)	8410 (2460)	8030 (2350)	7650 (2240)	7260 (2130)	6860 (2010)	6460 (1890)		
BEHA013H7 Compressor Model RST97C1E	45 (7.2)		19000 (5570)	18300 (5360)	17500 (5130)	16900 (4950)	16200 (4750)	15400 (4510)	14700 (4310)	
	40 (4.4)		17600 (5160)	17000 (4980)	16400 (4810)	15600 (4570)	15000 (4400)	14300 (4190)	13700 (4020)	
	35 (1.7)		16400 (4810)	15800 (4630)	15100 (4430)	14500 (4250)	13900 (4070)	13200 (3870)	12600 (3690)	
	30 (-1.1)		15000 (4400)	14500 (4250)	13900 (4070)	13300 (3900)	12700 (3720)	12100 (3550)	11600 (3400)	
	25 (-3.9)		13800 (4040)	13200 (3870)	12700 (3720)	12200 (3580)	11700 (3430)	11000 (3220)	10500 (3080)	
	20 (-6.7)		12500 (3660)	12100 (3550)	11600 (3400)	11000 (3220)	10500 (3080)	10050 (2950)	9530 (2790)	
	15 (-9.4)		11300 (3310)	10900 (3190)	10420 (3050)	9960 (2920)	9500 (2780)	9050 (2650)	8590 (2520)	
10 (-12.2)		10170 (2980)	9770 (2860)	9350 (2740)	8940 (2620)	8520 (2500)	8100 (2370)	7670 (2250)		

NOTES:

- Above ratings are based on mean temperature.
- To convert to dew point ratings, use 0.95 multiplier.
- For R449A, use R448A data.

CAPACITY DATA - R407C
HIGH / MEDIUM TEMPERATURE

MODEL BEH	SATURATED SUCTION TEMPERATURE ° F ° C	CAPACITY BTU/H (WATTS) R407C AMBIENT TEMPERATURE ° F (° C)								
		80 (26.6)	85 (29.4)	90 (32.2)	95 (35.0)	100 (37.8)	105 (40.6)	110 (43.3)		
BEHA005H7 Compressor Model RST45C1E	45 (7.2)	9960 (2920)	9600 (2810)	9210 (2700)	8830 (2590)	8450 (2480)	8070 (2370)	7700 (2260)		
	40 (4.4)	9040 (2650)	8680 (2540)	8350 (2450)	8000 (2340)	7670 (2250)	7320 (2150)	6980 (2050)		
	35 (1.7)	8150 (2390)	7840 (2300)	7530 (2210)	7210 (2110)	6900 (2020)	6590 (1930)	6290 (1840)		
	30 (-1.1)	7310 (2140)	7040 (2060)	6750 (1980)	6470 (1900)	6180 (1810)	5910 (1730)	5640 (1650)		
	25 (-3.9)	6530 (1910)	6270 (1840)	6020 (1760)	5760 (1690)	5510 (1610)	5260 (1540)	5020 (1470)		
	20 (-6.7)	5800 (1700)	5570 (1630)	5330 (1560)	5110 (1500)	4880 (1430)	4660 (1370)	4430 (1300)		
	15 (-9.4)	5120 (1500)	4920 (1440)	4710 (1380)	4500 (1320)	4320 (1270)	4110 (1200)	3910 (1150)		
10 (-12.2)	4530 (1330)	4340 (1270)	4150 (1220)	3960 (1160)	3780 (1110)	3590 (1050)	3420 (1000)			
BEHA008H7 Compressor Model RST55C1E	45 (7.2)	11700 (3430)	11200 (3280)	10800 (3170)	10320 (3020)	9870 (2890)	9410 (2760)	8950 (2620)		
	40 (4.4)	10600 (3110)	10190 (2990)	9780 (2870)	9360 (2740)	8960 (2630)	8540 (2500)	8110 (2380)		
	35 (1.7)	9570 (2800)	9210 (2700)	8840 (2590)	8460 (2480)	8100 (2370)	7710 (2260)	7320 (2150)		
	30 (-1.1)	8620 (2530)	8300 (2430)	7960 (2330)	7620 (2230)	7280 (2130)	6930 (2030)	6590 (1930)		
	25 (-3.9)	7730 (2270)	7430 (2180)	7130 (2090)	6840 (2000)	6530 (1910)	6220 (1820)	5910 (1730)		
	20 (-6.7)	6890 (2020)	6630 (1940)	6360 (1860)	6100 (1790)	5820 (1710)	5540 (1620)	5270 (1540)		
	15 (-9.4)	6120 (1790)	5890 (1730)	5650 (1660)	5420 (1590)	5170 (1520)	4920 (1440)	4680 (1370)		
10 (-12.2)	5410 (1590)	5200 (1520)	4990 (1460)	4780 (1400)	4570 (1340)	4350 (1270)	4140 (1210)			
BEHA010H7 Compressor Model RST70C1E	45 (7.2)	15200 (4450)	14700 (4310)	14100 (4130)	13500 (3960)	12900 (3780)	12400 (3630)	11800 (3460)		
	40 (4.4)	13900 (4070)	13300 (3900)	12800 (3750)	12300 (3600)	11800 (3460)	11200 (3280)	10700 (3140)		
	35 (1.7)	12500 (3660)	12100 (3550)	11700 (3430)	11100 (3250)	10700 (3140)	10190 (2990)	9690 (2840)		
	30 (-1.1)	11300 (3310)	10900 (3190)	10500 (3080)	10070 (2950)	9650 (2830)	9210 (2700)	8770 (2570)		
	25 (-3.9)	10200 (2990)	9830 (2880)	9450 (2770)	9060 (2660)	8680 (2540)	8300 (2430)	7900 (2320)		
	20 (-6.7)	9160 (2680)	8810 (2580)	8460 (2480)	8140 (2390)	7780 (2280)	7440 (2180)	7080 (2070)		
	15 (-9.4)	8170 (2390)	7880 (2310)	7560 (2220)	7260 (2130)	6950 (2040)	6640 (1950)	6320 (1850)		
10 (-12.2)	7270 (2130)	6990 (2050)	6710 (1970)	6440 (1890)	6150 (1800)	5880 (1720)	5590 (1640)			
BEHA011H7 Compressor Model RST80C1E	45 (7.2)	17200 (5040)	16600 (4860)	15900 (4660)	15200 (4450)	14600 (4280)	13900 (4070)	13200 (3870)		
	40 (4.4)	15600 (4570)	15100 (4430)	14500 (4250)	13900 (4070)	13300 (3900)	12700 (3720)	12100 (3550)		
	35 (1.7)	14300 (4190)	13800 (4040)	13100 (3840)	12600 (3690)	12100 (3550)	11600 (3400)	10900 (3190)		
	30 (-1.1)	12900 (3780)	12400 (3630)	12000 (3520)	11400 (3340)	10900 (3190)	10430 (3060)	9910 (2900)		
	25 (-3.9)	11700 (3430)	11200 (3280)	10700 (3140)	10320 (3020)	9870 (2890)	9420 (2760)	8960 (2630)		
	20 (-6.7)	10440 (3060)	10060 (2950)	9660 (2830)	9270 (2720)	8860 (2600)	8450 (2480)	8050 (2360)		
	15 (-9.4)	9330 (2730)	8990 (2630)	8630 (2530)	8280 (2430)	7930 (2320)	7560 (2220)	7190 (2110)		
10 (-12.2)	8320 (2440)	7990 (2340)	7680 (2250)	7350 (2150)	7040 (2060)	6700 (1960)	6360 (1860)			
BEHA013H7 Compressor Model RST97C1E	45 (7.2)	19100 (5600)	18400 (5390)	17700 (5190)	17000 (4980)	16300 (4780)	15500 (4540)	14800 (4340)		
	40 (4.4)	17300 (5070)	16700 (4890)	16000 (4690)	15400 (4510)	14700 (4310)	14100 (4130)	13400 (3930)		
	35 (1.7)	15600 (4570)	15000 (4400)	14600 (4280)	14000 (4100)	13400 (3930)	12800 (3750)	12100 (3550)		
	30 (-1.1)	14100 (4130)	13600 (3990)	13100 (3840)	12600 (3690)	12000 (3520)	11500 (3370)	11000 (3220)		
	25 (-3.9)	12700 (3720)	12200 (3580)	11700 (3430)	11300 (3310)	10900 (3190)	10400 (3050)	9900 (2900)		
	20 (-6.7)	11300 (3310)	11000 (3220)	10600 (3110)	10100 (2960)	9700 (2840)	9270 (2720)	8830 (2590)		
	15 (-9.4)	10100 (2960)	9800 (2870)	9390 (2750)	9010 (2640)	8630 (2530)	8260 (2420)	7870 (2310)		
10 (-12.2)	9000 (2640)	8670 (2540)	8320 (2440)	7980 (2340)	7650 (2240)	7300 (2140)	6950 (2040)			
BEHA015H7 Compressor Model CR18K6E *	45 (7.2)	21000 (6150)	20300 (5950)	19600 (5740)	18900 (5540)	18300 (5360)	17500 (5130)	16900 (4950)		
	40 (4.4)	19000 (5570)	18400 (5390)	17700 (5190)	17100 (5010)	16500 (4840)	15900 (4660)	15100 (4430)		
	35 (1.7)	17100 (5010)	16600 (4860)	16000 (4690)	15300 (4480)	14800 (4340)	14200 (4160)	13500 (3960)		
	30 (-1.1)	15300 (4480)	14800 (4340)	14300 (4190)	13800 (4040)	13100 (3840)	12600 (3690)	12000 (3520)		
	25 (-3.9)	13800 (4040)	13200 (3870)	12700 (3720)	12200 (3580)	11700 (3430)	11100 (3250)	10600 (3110)		
	20 (-6.7)	12200 (3580)	11700 (3430)	11200 (3280)	10700 (3140)	10220 (3000)	9730 (2850)	9240 (2710)		
	15 (-9.4)	10600 (3110)	10220 (3000)	9780 (2870)	9320 (2730)	8870 (2600)	8410 (2460)	7950 (2330)		
10 (-12.2)	9250 (2710)	8840 (2590)	8430 (2470)	8010 (2350)	7580 (2220)	7150 (2100)	6740 (1980)			
BEHA020H7 Compressor Model CR24K6E *	45 (7.2)	26300 (7710)	25400 (7440)	24500 (7180)	23600 (6920)	22800 (6680)	21800 (6390)	21000 (6150)		
	40 (4.4)	23800 (6980)	23000 (6740)	22200 (6510)	21300 (6240)	20600 (6040)	19700 (5770)	18900 (5540)		
	35 (1.7)	21500 (6300)	20800 (6100)	20000 (5860)	19200 (5630)	18500 (5420)	17600 (5160)	16900 (4950)		
	30 (-1.1)	19300 (5660)	18600 (5450)	18000 (5280)	17200 (5040)	16500 (4840)	15800 (4630)	15000 (4400)		
	25 (-3.9)	17200 (5040)	16600 (4860)	16000 (4690)	15300 (4480)	14600 (4280)	14000 (4100)	13200 (3870)		
	20 (-6.7)	15300 (4480)	14700 (4310)	14100 (4130)	13400 (3930)	12800 (3750)	12200 (3580)	11600 (3400)		
	15 (-9.4)	13400 (3930)	12900 (3780)	12300 (3600)	11800 (3460)	11100 (3250)	10600 (3110)	9990 (2930)		
10 (-12.2)	11700 (3430)	11100 (3250)	10600 (3110)	10090 (2960)	9540 (2800)	9010 (2640)	8460 (2480)			
BEHA025H7 Compressor Model CR32K6E *	45 (7.2)	34300 (10050)	33200 (9730)	32000 (9380)	30900 (9060)	29700 (8700)	28600 (8380)	27400 (8030)		
	40 (4.4)	31200 (9140)	30100 (8820)	29100 (8530)	27900 (8180)	26900 (7880)	25800 (7560)	24700 (7240)		
	35 (1.7)	28100 (8240)	27200 (7970)	26100 (7650)	25200 (7390)	24200 (7090)	23100 (6770)	22200 (6510)		
	30 (-1.1)	25300 (7410)	24500 (7180)	23500 (6890)	22600 (6620)	21600 (6330)	20600 (6040)	19600 (5740)		
	25 (-3.9)	22700 (6650)	21800 (6390)	20900 (6130)	20100 (5890)	19100 (5600)	18300 (5360)	17300 (5070)		
	20 (-6.7)	20100 (5890)	19300 (5660)	18500 (5420)	17600 (5160)	16800 (4920)	16000 (4690)	15200 (4450)		
	15 (-9.4)	17600 (5160)	16900 (4950)	16200 (4750)	15400 (4510)	14600 (4280)	13900 (4070)	13100 (3840)		
10 (-12.2)	15300 (4480)	14700 (4310)	14000 (4100)	13200 (3870)	12500 (3660)	11900 (3490)	11100 (3250)			

NOTES: - Above ratings are based on mean temperature. - To convert to dew point ratings, use 0.95 multiplier.

* Not suitable for R448A

table continues on next page >>>

CAPACITY DATA - **R407C**

HIGH / MEDIUM TEMPERATURE (cont'd)

MODEL BEH	SATURATED SUCTION TEMPERATURE		CAPACITY BTU/H (WATTS) R407C AMBIENT TEMPERATURE °F (°C)						
	° F	° C	80 (26.6)	85 (29.4)	90 (32.2)	95 (35.0)	100 (37.8)	105 (40.6)	110 (43.3)
BEHA029H7 Compressor Model CR38K6E *	45 (7.2)		39700 (11630)	38000 (11140)	36400 (10670)	34800 (10200)	33100 (9700)	31400 (9200)	29700 (8700)
	40 (4.4)		36000 (10550)	34400 (10080)	32900 (9640)	31400 (9200)	29800 (8730)	28100 (8240)	26600 (7800)
	35 (1.7)		32400 (9500)	31000 (9090)	29600 (8670)	28100 (8240)	26600 (7800)	25100 (7360)	23600 (6920)
	30 (-1.1)		29100 (8530)	27700 (8120)	26400 (7740)	25000 (7330)	23600 (6920)	22300 (6540)	20900 (6130)
	25 (-3.9)		25900 (7590)	24700 (7240)	23400 (6860)	22100 (6480)	20800 (6100)	19500 (5710)	18200 (5330)
	20 (-6.7)		22900 (6710)	21700 (6360)	20500 (6010)	19300 (5660)	18100 (5300)	16900 (4950)	15600 (4570)
	15 (-9.4)		20000 (5860)	18900 (5540)	17700 (5190)	16700 (4890)	15500 (4540)	14400 (4220)	13300 (3900)
10 (-12.2)		17200 (5040)	16200 (4750)	15100 (4430)	14100 (4130)	13000 (3810)	12000 (3520)	10900 (3190)	
BEHA030H7 Compressor Model CR38K6E *	45 (7.2)		44100 (12920)	42400 (12430)	40700 (11930)	39000 (11430)	37200 (10900)	35400 (10370)	33500 (9820)
	40 (4.4)		39700 (11630)	38100 (11170)	36500 (10700)	34900 (10230)	33200 (9730)	31500 (9230)	29800 (8730)
	35 (1.7)		35500 (10400)	34100 (9990)	32600 (9550)	31100 (9110)	29500 (8650)	27900 (8180)	26400 (7740)
	30 (-1.1)		31700 (9290)	30300 (8880)	29000 (8500)	27500 (8060)	26000 (7620)	24600 (7210)	23100 (6770)
	25 (-3.9)		28000 (8210)	26800 (7850)	25500 (7470)	24300 (7120)	22900 (6710)	21500 (6300)	20200 (5920)
	20 (-6.7)		24700 (7240)	23500 (6890)	22400 (6560)	21100 (6180)	19800 (5800)	18600 (5450)	17300 (5070)
	15 (-9.4)		21500 (6300)	20500 (6010)	19300 (5660)	18200 (5330)	17000 (4980)	15800 (4630)	14600 (4280)
10 (-12.2)		18500 (5420)	17500 (5130)	16500 (4840)	15300 (4480)	14300 (4190)	13100 (3840)	12100 (3550)	
BEHA035H7 Compressor Model CR42K6E *	45 (7.2)		48000 (14070)	46200 (13540)	44200 (12950)	42300 (12400)	40300 (11810)	38200 (11200)	36200 (10610)
	40 (4.4)		43300 (12690)	41500 (12160)	39700 (11630)	37900 (11110)	36000 (10550)	34100 (9990)	32200 (9440)
	35 (1.7)		38700 (11340)	37200 (10900)	35500 (10400)	33800 (9910)	32000 (9380)	30200 (8850)	28500 (8350)
	30 (-1.1)		34500 (10110)	33100 (9700)	31500 (9230)	29900 (8760)	28200 (8260)	26700 (7820)	25000 (7330)
	25 (-3.9)		30700 (9000)	29300 (8590)	27800 (8150)	26400 (7740)	24800 (7270)	23300 (6830)	21700 (6360)
	20 (-6.7)		27000 (7910)	25700 (7530)	24400 (7150)	23000 (6740)	21500 (6300)	20100 (5890)	18700 (5480)
	15 (-9.4)		23500 (6890)	22400 (6560)	21000 (6150)	19700 (5770)	18400 (5390)	17100 (5010)	15800 (4630)
10 (-12.2)		20300 (5950)	19100 (5600)	18000 (5280)	16700 (4890)	15400 (4510)	14200 (4160)	12900 (3780)	
BEHA040H7 Compressor Model CR53KQE *	45 (7.2)		59200 (17350)	56900 (16680)	54400 (15940)	52000 (15240)	49500 (14510)	46900 (13740)	44400 (13010)
	40 (4.4)		53700 (15740)	51300 (15030)	49000 (14360)	46700 (13690)	44400 (13010)	42000 (12310)	39600 (11610)
	35 (1.7)		48300 (14160)	46100 (13510)	44000 (12900)	41800 (12250)	39600 (11610)	37400 (10960)	35200 (10320)
	30 (-1.1)		43200 (12660)	41300 (12100)	39200 (11490)	37200 (10900)	35100 (10290)	33000 (9670)	31000 (9090)
	25 (-3.9)		38400 (11250)	36500 (10700)	34700 (10170)	32800 (9610)	30900 (9060)	28900 (8470)	27000 (7910)
	20 (-6.7)		33900 (9940)	32100 (9410)	30500 (8940)	28700 (8410)	26800 (7850)	25000 (7330)	23200 (6800)
	15 (-9.4)		29600 (8670)	27900 (8180)	26400 (7740)	24700 (7240)	23000 (6740)	21300 (6240)	19600 (5740)
10 (-12.2)		25500 (7470)	23900 (7000)	22500 (6590)	20900 (6130)	19300 (5660)	17700 (5190)	16200 (4750)	
BEHA050H7 Compressor Model CRNQ-050E *	45 (7.2)		73100 (21420)	70100 (20540)	67100 (19660)	64100 (18790)	61000 (17880)	58000 (17000)	54900 (16090)
	40 (4.4)		66700 (19550)	63800 (18700)	61000 (17880)	58200 (17060)	55300 (16210)	52500 (15390)	49700 (14570)
	35 (1.7)		60400 (17700)	57800 (16940)	55100 (16150)	52500 (15390)	49900 (14620)	47300 (13860)	44700 (13100)
	30 (-1.1)		54400 (15940)	52000 (15240)	49600 (14540)	47000 (13770)	44600 (13070)	42300 (12400)	39900 (11690)
	25 (-3.9)		48600 (14240)	46400 (13600)	44200 (12950)	41900 (12280)	39700 (11630)	37500 (10990)	35400 (10370)
	20 (-6.7)		43300 (12690)	41200 (12070)	39100 (11460)	37100 (10870)	35000 (10260)	33000 (9670)	31100 (9110)
	15 (-9.4)		38100 (11170)	36200 (10610)	34300 (10050)	32400 (9500)	30600 (8970)	28800 (8440)	27000 (7910)
10 (-12.2)		33400 (9790)	31600 (9260)	29800 (8730)	28100 (8240)	26500 (7770)	24800 (7270)	23200 (6800)	

NOTES: - Above ratings are based on mean temperature. - To convert to dew point ratings, use 0.95 multiplier.

* Not suitable for R448A

CAPACITY DATA - R404A R507
HIGH / MEDIUM TEMPERATURE

MODEL BEH	SATURATED SUCTION TEMPERATURE		CAPACITY BTU/H (WATTS) R404A R507 AMBIENT TEMPERATURE °F (°C)									
	° F	° C	80 (26.6)	85 (29.4)	90 (32.2)	95 (35.0)	100 (37.8)	105 (40.6)	110 (43.3)			
BEHA006E6 Compressor Model RST45C1E*	30 (-1.1)		7970 (2335)	7620 (2233)	7260 (2127)	6890 (2019)	6520 (1910)	6130 (1796)	5740 (1682)			
	25 (-3.9)		7290 (2136)	6970 (2042)	6650 (1948)	6310 (1849)	5960 (1746)	5620 (1647)	5260 (1541)			
	20 (-6.7)		6650 (1948)	6350 (1861)	6060 (1776)	5750 (1685)	5450 (1597)	5120 (1500)	4810 (1409)			
	15 (-9.4)		6040 (1770)	5780 (1694)	5500 (1612)	5230 (1532)	4950 (1450)	4660 (1365)	4370 (1280)			
	10 (-12.2)		5450 (1597)	5220 (1529)	4970 (1456)	4730 (1386)	4470 (1310)	4210 (1234)	3950 (1157)			
	5 (-15.0)		4890 (1433)	4680 (1371)	4460 (1307)	4240 (1242)	4010 (1175)	3780 (1108)	3540 (1037)			
	0 (-17.8)		4370 (1280)	4170 (1222)	3970 (1163)	3770 (1105)	3570 (1046)	3350 (982)	3140 (920)			
	-5 (-20.6)		3670 (1075)	3510 (1028)	3340 (979)	3160 (926)	2980 (873)	2800 (820)	2620 (768)			
	-10 (-23.3)		3210 (941)	3060 (897)	2900 (850)	2740 (803)	2580 (756)	2420 (709)	2260 (662)			
	-15 (-26.1)		2760 (809)	2620 (768)	2480 (727)	2330 (683)	2190 (642)	2040 (598)	1890 (554)			
-20 (-28.9)		2320 (680)	2190 (642)	2060 (604)	1920 (563)	1790 (524)	1660 (486)	1520 (445)				
-25 (-31.7)		1890 (554)	1770 (519)	1640 (481)	1520 (445)	1390 (407)	1270 (372)	1150 (337)				
BEHA008E6 Compressor Model RST55C1E*	30 (-1.1)		9400 (2754)	8930 (2616)	8450 (2476)	7990 (2341)	7520 (2203)	7060 (2069)	6600 (1934)			
	25 (-3.9)		8650 (2534)	8210 (2406)	7770 (2277)	7340 (2151)	6900 (2022)	6470 (1896)	6050 (1773)			
	20 (-6.7)		7930 (2323)	7520 (2203)	7110 (2083)	6700 (1963)	6300 (1846)	5900 (1729)	5500 (1612)			
	15 (-9.4)		7220 (2115)	6850 (2007)	6470 (1896)	6090 (1784)	5720 (1676)	5360 (1570)	4990 (1462)			
	10 (-12.2)		6550 (1919)	6210 (1820)	5860 (1717)	5510 (1614)	5170 (1515)	4830 (1415)	4490 (1316)			
	5 (-15.0)		5910 (1732)	5600 (1641)	5270 (1544)	4960 (1453)	4640 (1360)	4330 (1269)	4020 (1178)			
	0 (-17.8)		5300 (1553)	5020 (1471)	4730 (1386)	4430 (1298)	4150 (1216)	3860 (1131)	3590 (1052)			
	-5 (-20.6)		4510 (1321)	4260 (1248)	4010 (1175)	3760 (1102)	3510 (1028)	3270 (958)	3030 (888)			
	-10 (-23.3)		4000 (1172)	3780 (1108)	3560 (1043)	3330 (976)	3110 (911)	2890 (847)	2680 (785)			
	-15 (-26.1)		3550 (1040)	3350 (982)	3150 (923)	2950 (864)	2750 (806)	2550 (747)	2360 (691)			
-20 (-28.9)		3140 (920)	2960 (867)	2780 (815)	2600 (762)	2430 (712)	2260 (662)	2090 (612)				
-25 (-31.7)		2780 (815)	2620 (768)	2470 (724)	2310 (677)	2150 (630)	2000 (586)	1860 (545)				
BEHA009E6 Compressor Model RST64C1E*	30 (-1.1)		10800 (3164)	10300 (3018)	9830 (2880)	9320 (2731)	8810 (2581)	8280 (2426)	7760 (2274)			
	25 (-3.9)		10000 (2930)	9540 (2795)	9080 (2660)	8610 (2523)	8140 (2385)	7650 (2241)	7160 (2098)			
	20 (-6.7)		9190 (2693)	8770 (2570)	8340 (2444)	7910 (2318)	7480 (2192)	7040 (2063)	6580 (1928)			
	15 (-9.4)		8400 (2461)	8010 (2347)	7620 (2233)	7230 (2118)	6840 (2004)	6430 (1884)	6020 (1764)			
	10 (-12.2)		7640 (2239)	7290 (2136)	6930 (2030)	6570 (1925)	6210 (1820)	5840 (1711)	5470 (1603)			
	5 (-15.0)		6920 (2028)	6590 (1931)	6270 (1837)	5940 (1740)	5610 (1644)	5270 (1544)	4950 (1450)			
	0 (-17.8)		6230 (1825)	5930 (1737)	5640 (1653)	5330 (1562)	5040 (1477)	4740 (1389)	4430 (1298)			
	-5 (-20.6)		5310 (1556)	5050 (1480)	4790 (1403)	4540 (1330)	4280 (1254)	4020 (1178)	3770 (1105)			
	-10 (-23.3)		4720 (1383)	4490 (1316)	4260 (1248)	4030 (1181)	3790 (1110)	3570 (1046)	3340 (979)			
	-15 (-26.1)		4180 (1225)	3970 (1163)	3760 (1102)	3550 (1040)	3340 (979)	3140 (920)	2940 (861)			
-20 (-28.9)		3690 (1081)	3490 (1023)	3300 (967)	3110 (911)	2930 (858)	2750 (806)	2580 (756)				
-25 (-31.7)		3240 (949)	3060 (897)	2890 (847)	2720 (797)	2560 (750)	2400 (703)	2250 (659)				
BEHA010E6 Compressor Model RST70C1E	30 (-1.1)		11600 (3400)	11100 (3253)	10600 (3107)	10100 (2960)	9620 (2819)	9120 (2673)	8610 (2523)			
	25 (-3.9)		10700 (3136)	10200 (2989)	9790 (2869)	9350 (2740)	8880 (2602)	8430 (2471)	7960 (2333)			
	20 (-6.7)		9790 (2869)	9390 (2752)	8990 (2635)	8580 (2515)	8160 (2391)	7740 (2268)	7250 (2125)			
	15 (-9.4)		8940 (2620)	8580 (2515)	8200 (2403)	7770 (2277)	7390 (2166)	7000 (2051)	6600 (1934)			
	10 (-12.2)		8070 (2365)	7740 (2268)	7400 (2169)	7060 (2069)	6710 (1966)	6340 (1858)	5990 (1755)			
	5 (-15.0)		7280 (2134)	6970 (2043)	6670 (1955)	6350 (1861)	6030 (1767)	5700 (1670)	5380 (1577)			
	0 (-17.8)		6510 (1908)	6240 (1829)	5950 (1744)	5670 (1662)	5330 (1562)	5040 (1477)	4740 (1389)			
	-5 (-20.6)		5490 (1609)	5250 (1539)	5000 (1465)	4750 (1392)	4490 (1316)	4230 (1240)	3960 (1161)			
	-10 (-23.3)		4840 (1418)	4620 (1354)	4390 (1287)	4160 (1219)	3930 (1152)	3690 (1081)	3440 (1008)			
	-15 (-26.1)		4230 (1240)	4030 (1181)	3820 (1120)	3610 (1058)	3390 (994)	3180 (932)	2930 (859)			
-20 (-28.9)		3670 (1076)	3480 (1020)	3290 (964)	3080 (903)	2880 (844)	2670 (782)	2460 (721)				
-25 (-31.7)		3150 (923)	2960 (867)	2780 (815)	2600 (762)	2420 (709)	2230 (654)	2030 (595)				

--- Outside Operating Range † Max 40°F RGT * Not suitable for use with R-507

table continues on next page >>>

CAPACITY DATA - R404A R507
HIGH / MEDIUM TEMPERATURE (cont'd)

MODEL BEH	SATURATED SUCTION TEMPERATURE		CAPACITY BTU/H (WATTS) R404A R507 AMBIENT TEMPERATURE °F (°C)																																																																																																
	° F	° C	80 (26.6)	85 (29.4)	90 (32.2)	95 (35.0)	100 (37.8)	105 (40.6)	110 (43.3)																																																																																										
BEHA015E6 Compressor Model CS10K6E	30 (-1.1)	20200 (5920)	19000 (5569)	17900 (5246)	16700 (4894)	15600 (4572)	14400 (4220)	13300 (3898)	25 (-3.9)	18400 (5393)	17300 (5070)	16300 (4777)	15200 (4455)	14100 (4132)	13100 (3839)	12100 (3546)	20 (-6.7)	16600 (4865)	15700 (4601)	14700 (4308)	13700 (4015)	12700 (3722)	11800 (3458)	10800 (3165)	15 (-9.4)	14900 (4367)	14000 (4103)	13100 (3839)	12200 (3576)	11300 (3312)	10500 (3077)	9590 (2811)	10 (-12.2)	13200 (3869)	12400 (3634)	11600 (3400)	10800 (3165)	9990 (2928)	9180 (2691)	8380 (2456)	5 (-15.0)	11600 (3400)	10900 (3195)	10100 (2960)	9400 (2755)	8660 (2538)	7930 (2324)	7200 (2110)	0 (-17.8)	10100 (2960)	9400 (2755)	8730 (2559)	8060 (2362)	7390 (2166)	6730 (1972)	6070 (1779)	-5 (-20.6)	8180 (2397)	7600 (2227)	7030 (2060)	6460 (1893)	5596 (1640)	5320 (1559)	4741 (1389)	-10 (-23.3)	6888 (2019)	6375 (1868)	5852 (1715)	5349 (1568)	4826 (1414)	4313 (1264)	3791 (1111)	-15 (-26.1)	5710 (1673)	5244 (1537)	4788 (1403)	4332 (1270)	3857 (1130)	3392 (994)	2926 (858)	-20 (-28.9)	4646 (1362)	4247 (1245)	3838 (1125)	3420 (1002)	3002 (880)	2575 (755)	2147 (629)	-25 (-31.7)	3743 (1097)	3382 (991)	3012 (883)	2641 (774)	2261 (663)	1872 (549)	1482 (434)			
	BEHA020E6 Compressor Model CS12K6E	30 (-1.1)	23000 (6741)	21800 (6389)	20500 (6008)	19300 (5657)	18100 (5305)	16800 (4924)	15600 (4572)	25 (-3.9)	20800 (6096)	19700 (5774)	18500 (5422)	17400 (5100)	16200 (4748)	15100 (4426)	13900 (4074)	20 (-6.7)	18800 (5510)	17700 (5188)	16600 (4865)	15600 (4572)	14500 (4250)	13500 (3957)	12400 (3634)	15 (-9.4)	16800 (4924)	15800 (4631)	14900 (4367)	13900 (4074)	12900 (3781)	11900 (3488)	11000 (3224)	10 (-12.2)	15000 (4396)	14100 (4132)	13200 (3869)	12300 (3605)	11400 (3341)	10500 (3077)	9610 (2817)	5 (-15.0)	13300 (3898)	12400 (3634)	11600 (3400)	10700 (3136)	9920 (2907)	9120 (2673)	8320 (2438)	0 (-17.8)	11600 (3400)	10800 (3165)	10100 (2960)	9300 (2726)	8560 (2509)	7830 (2295)	7110 (2084)	-5 (-20.6)	9595 (2812)	8864 (2598)	8199 (2403)	7543 (2211)	6907 (2024)	6270 (1838)	5653 (1657)	-10 (-23.3)	8170 (2394)	7524 (2205)	6907 (2024)	6308 (1849)	5729 (1679)	5159 (1512)	4608 (1350)	-15 (-26.1)	6840 (2005)	6242 (1829)	5672 (1662)	5121 (1501)	4598 (1348)	4095 (1200)	3601 (1055)	-20 (-28.9)	5567 (1632)	5016 (1470)	4475 (1311)	3981 (1167)	3506 (1027)	3040 (891)	2613 (766)	-25 (-31.7)	4351 (1275)	3819 (1119)	3335 (977)	2869 (841)	2432 (713)	2024 (593)	1644 (482)		
		BEHA025E6 Compressor Model CS14K6E	30 (-1.1)	26400 (7737)	25000 (7327)	23500 (6887)	22100 (6477)	20700 (6067)	19200 (5627)	17800 (5217)	25 (-3.9)	24200 (7093)	22900 (6712)	21600 (6331)	20300 (5950)	19000 (5569)	17700 (5188)	16300 (4777)	20 (-6.7)	22100 (6477)	20900 (6125)	19700 (5774)	18500 (5422)	17300 (5070)	16100 (4719)	14900 (4367)	15 (-9.4)	20000 (5862)	18900 (5539)	17800 (5217)	16700 (4894)	15600 (4572)	14500 (4250)	13400 (3927)	10 (-12.2)	17900 (5246)	16900 (4953)	15900 (4660)	14900 (4367)	13900 (4074)	13000 (3810)	12000 (3517)	5 (-15.0)	15900 (4660)	15000 (4396)	14100 (4132)	13200 (3869)	12300 (3605)	11400 (3341)	10500 (3077)	0 (-17.8)	14000 (4103)	13200 (3869)	12400 (3634)	11600 (3400)	10800 (3165)	9950 (2916)	9160 (2685)	-5 (-20.6)	11495 (3369)	10830 (3174)	10165 (2979)	9481 (2779)	8797 (2578)	8123 (2381)	7448 (2183)	-10 (-23.3)	9880 (2896)	9301 (2726)	8683 (2545)	8066 (2364)	7467 (2188)	6859 (2010)	6261 (1835)	-15 (-26.1)	8417 (2467)	7866 (2305)	7325 (2147)	6774 (1985)	6232 (1826)	5700 (1671)	5168 (1515)	-20 (-28.9)	7068 (2072)	6584 (1930)	6090 (1785)	5605 (1643)	5130 (1504)	4646 (1362)	4180 (1225)	-25 (-31.7)	5900 (1729)	5453 (1598)	5016 (1470)	4579 (1342)	4161 (1220)	3734 (1094)	3316 (972)	
			BEHA029E6 Compressor Model CS18K6E	30 (-1.1)	32200 (9437)	30400 (8910)	28600 (8382)	26800 (7855)	24900 (7298)	23100 (6770)	21300 (6243)	25 (-3.9)	29800 (8734)	28100 (8236)	26300 (7708)	24600 (7210)	23000 (6741)	21300 (6243)	19600 (5744)	20 (-6.7)	27200 (7972)	25600 (7503)	24100 (7063)	22500 (6594)	20900 (6125)	19400 (5686)	17800 (5217)	15 (-9.4)	24700 (7239)	23200 (6800)	21700 (6360)	20300 (5950)	18800 (5510)	17400 (5100)	16000 (4689)	10 (-12.2)	22100 (6477)	20800 (6096)	19400 (5686)	18100 (5305)	16800 (4924)	15500 (4543)	14200 (4162)	5 (-15.0)	19600 (5744)	18400 (5393)	17100 (5012)	15900 (4660)	14700 (4308)	13500 (3957)	12400 (3634)	0 (-17.8)	17200 (5041)	16100 (4719)	14900 (4367)	13800 (4045)	12700 (3722)	11700 (3429)	10600 (3107)	-5 (-20.6)	14060 (4121)	13110 (3842)	12160 (3564)	11210 (3285)	10355 (3035)	9405 (2756)	8541 (2503)	-10 (-23.3)	11970 (3508)	11115 (3258)	10260 (3007)	9462 (2773)	8645 (2534)	7857 (2303)	7106 (2083)	-15 (-26.1)	10070 (2951)	9358 (2743)	8607 (2523)	7866 (2305)	7163 (2099)	6489 (1902)	5833 (1710)	-20 (-28.9)	8417 (2467)	7771 (2278)	7125 (2088)	6498 (1904)	5890 (1726)	5320 (1559)	4788 (1403)	-25 (-31.7)	7002 (2052)	6451 (1891)	5909 (1732)	5377 (1576)	4874 (1428)	4408 (1292)	4000 (1172)

--- Outside Operating Range † Max 40°F RGT * Not suitable for use with R-507

table continues on next page >>>

CAPACITY DATA - R404A R507
HIGH / MEDIUM TEMPERATURE (cont'd)

MODEL BEH	SATURATED SUCTION TEMPERATURE		CAPACITY BTU/H (WATTS) R404A R507								AMBIENT TEMPERATURE °F (°C)	
	° F	° C	80 (26.6)	85 (29.4)	90 (32.2)	95 (35.0)	100 (37.8)	105 (40.6)	110 (43.3)			
BEHA030E6 Compressor Model CS18K6E	30 (-1.1)		36200 (10610)	34300 (10053)	32300 (9467)	30300 (8880)	28300 (8294)	26300 (7708)	24400 (7151)			
	25 (-3.9)		33200 (9730)	31400 (9203)	29600 (8675)	27700 (8118)	25900 (7591)	24000 (7034)	22200 (6506)			
	20 (-6.7)		30200 (8851)	28500 (8353)	26800 (7855)	25100 (7356)	23400 (6858)	21700 (6360)	20000 (5862)			
	15 (-9.4)		27200 (7972)	25600 (7503)	24100 (7063)	22500 (6594)	20900 (6125)	19400 (5686)	17800 (5217)			
	10 (-12.2)		24200 (7093)	22800 (6682)	21400 (6272)	19900 (5832)	18500 (5422)	17100 (5012)	15700 (4601)			
	5 (-15.0)		21300 (6243)	20000 (5862)	18700 (5481)	17400 (5100)	16100 (4719)	14800 (4338)	13600 (3986)			
	0 (-17.8)		18500 (5422)	17400 (5100)	16200 (4748)	15000 (4396)	13800 (4045)	12700 (3722)	11600 (3400)			
	-5 (-20.6)		15105 (4427)	14155 (4149)	13110 (3842)	12160 (3564)	11115 (3258)	10165 (2979)	9215 (2701)			
	-10 (-23.3)		12825 (3759)	11875 (3480)	11020 (3230)	10165 (2979)	9263 (2715)	8417 (2467)	7610 (2230)			
	-15 (-26.1)		10735 (3146)	9975 (2924)	9149 (2681)	8379 (2456)	7619 (2233)	6897 (2021)	6204 (1818)			
	-20 (-28.9)		8864 (2598)	8199 (2403)	7534 (2208)	6859 (2010)	6223 (1824)	5605 (1643)	5035 (1476)			
-25 (-31.7)		7344 (2152)	6764 (1982)	6194 (1815)	5643 (1654)	5111 (1498)	4617 (1353)	4161 (1220)				
BEHA035E6 Compressor Model CS20K6E	30 (-1.1)		41700 (12222)	39300 (11518)	36900 (10815)	34600 (10141)	32200 (9437)	30000 (8792)	27800 (8148)			
	25 (-3.9)		37400 (10961)	35200 (10317)	33000 (9672)	30800 (9027)	28700 (8411)	26600 (7796)	24600 (7210)			
	20 (-6.7)		33400 (9789)	31400 (9203)	29400 (8617)	27400 (8030)	25500 (7474)	23600 (6917)	21700 (6360)			
	15 (-9.4)		29800 (8734)	27900 (8177)	26100 (7649)	24300 (7122)	22500 (6594)	20800 (6096)	19100 (5598)			
	10 (-12.2)		26500 (7767)	24800 (7268)	23100 (6770)	21500 (6301)	19900 (5832)	18300 (5363)	16700 (4894)			
	5 (-15.0)		23400 (6858)	21900 (6419)	20400 (5979)	18900 (5539)	17400 (5100)	16000 (4689)	14600 (4279)			
	0 (-17.8)		20600 (6038)	19300 (5657)	17900 (5246)	16500 (4836)	15200 (4455)	13900 (4074)	12600 (3693)			
	-5 (-20.6)		17195 (5040)	15960 (4678)	14820 (4343)	13680 (4009)	12445 (3647)	11305 (3313)	10260 (3007)			
	-10 (-23.3)		14915 (4371)	13775 (4037)	12730 (3731)	11685 (3425)	10640 (3118)	9595 (2812)	8541 (2503)			
	-15 (-26.1)		12730 (3731)	11780 (3453)	10830 (3174)	9785 (2868)	8835 (2589)	7857 (2303)	6897 (2021)			
	-20 (-28.9)		10640 (3118)	9785 (2868)	8854 (2595)	7961 (2333)	7049 (2066)	6137 (1799)	5216 (1529)			
-25 (-31.7)		8550 (2506)	7752 (2272)	6926 (2030)	6090 (1785)	5216 (1529)	4351 (1275)	3468 (1016)				
BEHA040E6 Compressor Model CS27K6E	30 (-1.1)		49100 (14390)	46700 (13687)	44200 (12954)	41700 (12222)	39300 (11518)	36800 (10785)	34400 (10082)			
	25 (-3.9)		44700 (13101)	42400 (12427)	40100 (11753)	37900 (11108)	35600 (10434)	33400 (9789)	31100 (9115)			
	20 (-6.7)		40400 (11841)	38300 (11225)	36200 (10610)	34200 (10023)	32100 (9408)	30100 (8822)	28000 (8206)			
	15 (-9.4)		36300 (10639)	34400 (10082)	32500 (9525)	30600 (8968)	28700 (8411)	26900 (7884)	25000 (7327)			
	10 (-12.2)		32300 (9467)	30600 (8968)	28900 (8470)	27200 (7972)	25600 (7503)	23900 (7005)	22200 (6506)			
	5 (-15.0)		28600 (8382)	27000 (7913)	25500 (7474)	24000 (7034)	22500 (6594)	21000 (6155)	19600 (5744)			
	0 (-17.8)		25000 (7327)	23700 (6946)	22400 (6565)	21000 (6155)	19700 (5774)	18400 (5393)	17100 (5012)			
	-5 (-20.6)		20700 (6067)	19600 (5744)	18500 (5422)	17400 (5100)	16300 (4777)	15200 (4455)	14100 (4132)			
	-10 (-23.3)		17800 (5217)	16800 (4924)	15900 (4660)	14900 (4367)	14000 (4103)	13100 (3839)	12100 (3546)			
	-15 (-26.1)		15100 (4426)	14300 (4191)	13500 (3957)	12700 (3722)	12000 (3517)	11200 (3283)	10400 (3048)			
	-20 (-28.9)		12700 (3722)	12000 (3517)	11400 (3341)	10800 (3165)	10100 (2960)	9500 (2784)	8840 (2591)			
-25 (-31.7)		10500 (3077)	10000 (2931)	9520 (2790)	9040 (2649)	8550 (2506)	8060 (2362)	7540 (2210)				
BEHA050E6 Compressor Model CS33K6E	30 (-1.1)		55800 (16354)	53100 (15563)	50300 (14742)	47600 (13951)	44900 (13159)	42200 (12368)	39500 (11577)			
	25 (-3.9)		51200 (15006)	48700 (14273)	46200 (13540)	43700 (12808)	41200 (12075)	38700 (11342)	36300 (10639)			
	20 (-6.7)		46600 (13658)	44300 (12984)	42000 (12309)	39800 (11665)	37500 (10991)	35300 (10346)	33100 (9701)			
	15 (-9.4)		42100 (12339)	40000 (11723)	38000 (11137)	35900 (10522)	33900 (9936)	31900 (9349)	29900 (8763)			
	10 (-12.2)		37700 (11049)	35900 (10522)	34000 (9965)	32200 (9437)	30400 (8910)	28500 (8353)	26700 (7825)			
	5 (-15.0)		33500 (9818)	31900 (9349)	30200 (8851)	28600 (8382)	26900 (7884)	25300 (7415)	23700 (6946)			
	0 (-17.8)		29500 (8646)	28100 (8236)	26600 (7796)	25100 (7356)	23700 (6946)	22200 (6506)	20700 (6067)			
	-5 (-20.6)		24600 (7210)	23400 (6858)	22100 (6477)	20900 (6125)	19600 (5744)	18400 (5393)	17100 (5012)			
	-10 (-23.3)		21300 (6243)	20200 (5920)	19200 (5627)	18100 (5305)	17000 (4982)	15800 (4631)	14700 (4308)			
	-15 (-26.1)		18400 (5393)	17500 (5129)	16500 (4836)	15500 (4543)	14500 (4250)	13500 (3957)	12500 (3664)			
	-20 (-28.9)		15800 (4631)	15000 (4396)	14200 (4162)	13300 (3898)	12400 (3634)	11500 (3370)	10600 (3107)			
-25 (-31.7)		13700 (4015)	13000 (3810)	12200 (3576)	11500 (3370)	10700 (3136)	9850 (2887)	9020 (2644)				

--- Outside Operating Range † Max 40°F RGT * Not suitable for use with R-507

CAPACITY DATA - R404A R507

LOW TEMPERATURE

MODEL BEH	SATURATED SUCTION TEMPERATURE		CAPACITY BTU/H (WATTS)								R404A R507		AMBIENT TEMPERATURE °F (°C)	
	° F	° C	80 (26.6)	85 (29.4)	90 (32.2)	95 (35)	100 (37.8)	105 (40.6)	110 (43.3)					
BEHA006L6 Compressor Model RFT22C1E	10 (-12.2)	5580 (1635)	5380 (1577)	5160 (1512)	4940 (1448)	4690 (1374)	4460 (1307)	4200 (1231)						
	5 (-15.0)	5030 (1474)	4840 (1418)	4650 (1363)	4440 (1301)	4220 (1237)	4000 (1172)	3770 (1105)						
	0 (-17.8)	4500 (1319)	4340 (1272)	4160 (1219)	3970 (1163)	3770 (1105)	3530 (1035)	3320 (973)						
	-5 (-20.6)	4010 (1175)	3820 (1120)	3660 (1073)	3490 (1023)	3310 (970)	3120 (914)	2920 (856)						
	-10 (-23.3)	3540 (1037)	3370 (988)	3220 (944)	3070 (900)	2910 (853)	2730 (800)	2550 (747)						
	-15 (-26.1)	3100 (909)	2950 (865)	2810 (824)	2680 (785)	2520 (739)	2370 (695)	2220 (651)						
	-20 (-28.9)	2690 (788)	2550 (747)	2430 (712)	2300 (674)	2170 (636)	2040 (598)	1890 (554)						
	-25 (-31.7)	2300 (674)	2180 (639)	2070 (607)	1960 (574)	1850 (542)	1720 (504)	1610 (472)						
-30 (-34.4)	1940 (569)	1840 (539)	1740 (510)	1650 (484)	1540 (451)	1430 (419)	1320 (387)							
BEHA008L6 Compressor Model RFT26C1E	10 (-12.2)	6570 (1925)	6310 (1849)	6040 (1770)	5760 (1688)	5500 (1612)	5170 (1515)	4890 (1433)						
	5 (-15.0)	5950 (1744)	5660 (1659)	5420 (1588)	5170 (1515)	4900 (1436)	4660 (1366)	4400 (1290)						
	0 (-17.8)	5310 (1556)	5090 (1492)	4870 (1427)	4640 (1360)	4400 (1290)	4180 (1225)	3940 (1155)						
	-5 (-20.6)	4760 (1395)	4550 (1333)	4350 (1275)	4140 (1213)	3930 (1152)	3720 (1090)	3510 (1029)						
	-10 (-23.3)	4220 (1237)	4040 (1184)	3850 (1128)	3660 (1073)	3470 (1017)	3290 (964)	3090 (906)						
	-15 (-26.1)	3720 (1090)	3550 (1040)	3380 (991)	3190 (935)	3010 (882)	2850 (835)	2680 (785)						
	-20 (-28.9)	3240 (950)	3080 (903)	2930 (859)	2770 (812)	2610 (765)	2470 (724)	2310 (677)						
	-25 (-31.7)	2800 (821)	2660 (780)	2520 (739)	2380 (698)	2250 (659)	2110 (618)	1980 (580)						
-30 (-34.4)	2390 (700)	2260 (662)	2140 (627)	2030 (595)	1910 (560)	1790 (525)	1670 (489)							
BEHA010L6 Compressor Model CF04K6E*	10 (-12.2)	11200 (3283)	10500 (3077)	9740 (2855)	9010 (2641)	8270 (2424)	7540 (2210)	6810 (1996)						
	5 (-15.0)	9850 (2887)	9200 (2696)	8550 (2506)	7880 (2309)	7200 (2110)	6540 (1917)	5880 (1723)						
	0 (-17.8)	8640 (2532)	8060 (2362)	7470 (2189)	6870 (2013)	6260 (1835)	5660 (1659)	5060 (1483)						
	-5 (-20.6)	7560 (2216)	7040 (2063)	6500 (1905)	5960 (1747)	5420 (1589)	4870 (1427)	4340 (1272)						
	-10 (-23.3)	6570 (1926)	6110 (1791)	5630 (1650)	5150 (1509)	4660 (1366)	4170 (1222)	3700 (1084)						
	-15 (-26.1)	5680 (1665)	5260 (1542)	4830 (1416)	4400 (1290)	3970 (1164)	3540 (1038)	3120 (914)						
	-20 (-28.9)	4840 (1419)	4470 (1310)	4100 (1202)	3710 (1087)	3320 (973)	2940 (862)	2570 (753)						
	-25 (-31.7)	4040 (1184)	3720 (1090)	3370 (988)	3030 (888)	2690 (788)	2360 (692)	2050 (601)						
-30 (-34.4)	3240 (950)	2960 (868)	2660 (780)	2350 (689)	2060 (604)	1770 (519)	1500 (440)							
BEHA015L6 Compressor Model CF06K6E*	10 (-12.2)	13500 (3956)	12700 (3721)	11900 (3487)	11100 (3252)	10300 (3018)	9540 (2795)	8740 (2561)						
	5 (-15.0)	12400 (3633)	11700 (3428)	11000 (3223)	10200 (2989)	9490 (2781)	8760 (2567)	8020 (2350)						
	0 (-17.8)	11300 (3311)	10600 (3106)	9960 (2918)	9290 (2722)	8610 (2523)	7940 (2326)	7270 (2130)						
	-5 (-20.6)	10200 (2989)	9580 (2807)	8950 (2622)	8330 (2441)	7720 (2262)	7100 (2080)	6490 (1902)						
	-10 (-23.3)	9060 (2655)	8490 (2488)	7930 (2323)	7360 (2156)	6800 (1992)	6250 (1831)	5700 (1670)						
	-15 (-26.1)	7950 (2329)	7420 (2174)	6910 (2025)	6390 (1872)	5900 (1729)	5410 (1585)	4920 (1442)						
	-20 (-28.9)	6860 (2010)	6380 (1869)	5910 (1732)	5460 (1600)	5010 (1468)	4580 (1342)	4160 (1219)						
	-25 (-31.7)	5820 (1705)	5390 (1579)	4970 (1456)	4560 (1336)	4170 (1222)	3800 (1113)	3440 (1008)						
-30 (-34.4)	4850 (1421)	4450 (1304)	4070 (1193)	3730 (1093)	3390 (993)	3080 (902)	2780 (815)							
BEHA020L6 Compressor Model CF06K6E*	10 (-12.2)	15200 (4455)	14300 (4191)	13500 (3957)	12700 (3722)	11800 (3458)	11000 (3224)	10100 (2960)						
	5 (-15.0)	13900 (4074)	13100 (3839)	12300 (3605)	11500 (3370)	10700 (3136)	9950 (2916)	9170 (2688)						
	0 (-17.8)	12500 (3664)	11800 (3458)	11100 (3253)	10400 (3048)	9660 (2831)	8940 (2620)	8210 (2406)						
	-5 (-20.6)	11200 (3283)	10600 (3107)	9890 (2899)	9230 (2705)	8580 (2515)	7920 (2321)	7270 (2131)						
	-10 (-23.3)	9910 (2904)	9300 (2726)	8690 (2547)	8100 (2374)	7500 (2198)	6910 (2025)	6320 (1852)						
	-15 (-26.1)	8640 (2532)	8070 (2365)	7530 (2207)	6980 (2046)	6450 (1890)	5920 (1735)	5400 (1583)						
	-20 (-28.9)	7410 (2172)	6900 (2022)	6410 (1879)	5910 (1732)	5440 (1594)	4970 (1457)	4520 (1325)						
	-25 (-31.7)	6260 (1835)	5800 (1700)	5340 (1565)	4900 (1436)	4480 (1313)	4080 (1196)	3700 (1084)						
-30 (-34.4)	5200 (1524)	4770 (1398)	4370 (1281)	3980 (1166)	3620 (1061)	3280 (961)	2960 (868)							
BEHA025L6 Compressor Model CF09K6E*	10 (-12.2)	23900 (7005)	22600 (6624)	21300 (6243)	20100 (5891)	18800 (5510)	17500 (5129)	16300 (4777)						
	5 (-15.0)	21700 (6360)	20500 (6008)	19300 (5657)	18100 (5305)	17000 (4982)	15800 (4631)	14600 (4279)						
	0 (-17.8)	19500 (5715)	18400 (5393)	17300 (5070)	16200 (4748)	15200 (4455)	14100 (4132)	13100 (3839)						
	-5 (-20.6)	17300 (5070)	16300 (4777)	15300 (4484)	14400 (4220)	13400 (3927)	12400 (3634)	11500 (3370)						
	-10 (-23.3)	15200 (4455)	14300 (4191)	13400 (3927)	12500 (3664)	11700 (3429)	10800 (3165)	9940 (2913)						
	-15 (-26.1)	13200 (3869)	12400 (3634)	11600 (3400)	10800 (3165)	10000 (2931)	9230 (2705)	8470 (2482)						
	-20 (-28.9)	11300 (3312)	10500 (3077)	9810 (2875)	9100 (2667)	8420 (2468)	7750 (2271)	7090 (2078)						
	-25 (-31.7)	9440 (2767)	8790 (2576)	8150 (2389)	7540 (2210)	6940 (2034)	6360 (1864)	5810 (1703)						
-30 (-34.4)	7760 (2274)	7180 (2104)	6640 (1946)	6110 (1791)	5610 (1644)	5110 (1498)	4650 (1363)							
BEHA030L6 Compressor Model CF12K6E*	10 (-12.2)	27900 (8177)	26400 (7737)	24800 (7268)	23300 (6829)	21800 (6389)	20200 (5920)	18700 (5481)						
	5 (-15.0)	25300 (7415)	23900 (7005)	22500 (6594)	21100 (6184)	19700 (5774)	18300 (5363)	16900 (4953)						
	0 (-17.8)	22900 (6712)	21600 (6331)	20300 (5950)	19000 (5569)	17700 (5188)	16500 (4836)	15200 (4455)						
	-5 (-20.6)	20600 (6038)	19400 (5686)	18200 (5334)	17000 (4982)	15900 (4660)	14700 (4308)	13600 (3986)						
	-10 (-23.3)	18400 (5393)	17300 (5070)	16200 (4748)	15200 (4455)	14100 (4132)	13100 (3839)	12000 (3517)						
	-15 (-26.1)	16200 (4748)	15300 (4484)	14300 (4191)	13300 (3898)	12400 (3634)	11400 (3341)	10500 (3077)						
	-20 (-28.9)	14200 (4162)	13400 (3927)	12500 (3664)	11600 (3400)	10700 (3136)	9870 (2893)	9020 (2644)						
	-25 (-31.7)	12300 (3605)	11500 (3370)	10700 (3136)	9910 (2904)	9110 (2670)	8330 (2441)	7560 (2216)						
-30 (-34.4)	10500 (3077)	9750 (2858)	9010 (2641)	8270 (2424)	7540 (2210)	6810 (1996)	6110 (1791)							

--- Outside Operating Range † Max 40°F RGT * Not suitable for use with R-507

CAPACITY DATA - R22 HIGH / MEDIUM TEMPERATURE

MODEL BEH	SATURATED SUCTION TEMPERATURE		CAPACITY BTU/H (WATTS) R22 AMBIENT TEMPERATURE °F (°C)													
	° F	° C	80	(26.6)	85	(29.4)	90	(32.2)	95	(35)	100	(37.8)	105	(40.6)	110	(43.3)
	BEHA015H7 Compressor Model CR18K6E	45	(7.2)	23600	(6917)	22600	(6624)	21600	(6331)	20600	(6038)	19700	(5774)	18700	(5481)	17700
40		(4.4)	21400	(6272)	20400	(5979)	19500	(5715)	18600	(5451)	17700	(5188)	16700	(4894)	15800	(4631)
35		(1.7)	19200	(5627)	18400	(5393)	17500	(5129)	16600	(4865)	15800	(4631)	14900	(4367)	14000	(4103)
30		(-1.1)	17200	(5041)	16400	(4807)	15600	(4572)	14700	(4308)	13900	(4074)	13100	(3839)	12300	(3605)
25		(-3.9)	15200	(4455)	14500	(4250)	13700	(4015)	13000	(3810)	12200	(3576)	11400	(3341)	10700	(3136)
20		(-6.7)	13400	(3927)	12700	(3722)	12000	(3517)	11300	(3312)	10600	(3107)	9840	(2884)	9120	(2673)
15		(-9.4)	11700	(3429)	11000	(3224)	10400	(3048)	9700	(2843)	9030	(2647)	8370	(2453)	7700	(2257)
10		(-12.2)	10100†	(2960)†	9480†	(2778)†	8870†	(2600)†	8250†	(2418)†	7630†	(2236)†	7000†	(2052)†	6370†	(1867)†
5		(-15.0)	8640†	(2532)†	8090†	(2371)†	7520†	(2204)†	6940†	(2034)†	6350†	(1861)†	5760†	(1688)†	5180†	(1518)†
0		(-17.8)	7350†	(2154)†	6840†	(2005)†	6300†	(1846)†	5750†	(1685)†	5210†	(1527)†	---	---	---	---
BEHA020H7 Compressor Model CR24K6E	45	(7.2)	27800	(8148)	26800	(7855)	25700	(7532)	24500	(7181)	23400	(6858)	22300	(6536)	21100	(6184)
	40	(4.4)	25400	(7444)	24400	(7151)	23300	(6829)	22300	(6536)	21200	(6213)	20200	(5920)	19100	(5598)
	35	(1.7)	23000	(6741)	22100	(6477)	21100	(6184)	20100	(5891)	19200	(5627)	18200	(5334)	17100	(5012)
	30	(-1.1)	20800	(6096)	19900	(5832)	19000	(5569)	18100	(5305)	17200	(5041)	16200	(4748)	15300	(4484)
	25	(-3.9)	18600	(5451)	17800	(5217)	17000	(4982)	16100	(4719)	15300	(4484)	14400	(4220)	13500	(3957)
	20	(-6.7)	16600	(4865)	15900	(4660)	15100	(4426)	14300	(4191)	13500	(3957)	12700	(3722)	11900	(3488)
	15	(-9.4)	14700	(4308)	14000	(4103)	13300	(3898)	12600	(3693)	11900	(3488)	11100	(3253)	10400	(3048)
	10	(-12.2)	12900	(3781)	12300	(3605)	11700	(3429)	11000	(3224)	10300	(3019)	9670	(2834)	8980	(2632)
	5	(-15.0)	11300	(3312)	10700	(3136)	10100	(2960)	9540	(2796)	8950	(2623)	8330	(2441)	7700	(2257)
	0	(-17.8)	9770	(2863)	9260	(2714)	8750	(2564)	8220	(2409)	7690	(2254)	---	---	---	---
BEHA025H7 Compressor Model CR32K6E	45	(7.2)	36100	(10580)	34800	(10199)	33500	(9818)	32200	(9437)	30800	(9027)	29500	(8646)	28200	(8265)
	40	(4.4)	33000	(9672)	31800	(9320)	30600	(8968)	29400	(8617)	28200	(8265)	26900	(7884)	25700	(7532)
	35	(1.7)	30100	(8822)	29000	(8499)	27900	(8177)	26700	(7825)	25600	(7503)	24500	(7181)	23300	(6829)
	30	(-1.1)	27300	(8001)	26300	(7708)	25300	(7415)	24200	(7093)	23200	(6800)	22100	(6477)	21100	(6184)
	25	(-3.9)	24700	(7239)	23800	(6975)	22800	(6682)	21800	(6389)	20800	(6096)	19900	(5832)	18900	(5539)
	20	(-6.7)	22200	(6506)	21300	(6243)	20400	(5979)	19500	(5715)	18600	(5451)	17700	(5188)	16900	(4953)
	15	(-9.4)	19800	(5803)	19000	(5569)	18100	(5305)	17300	(5070)	16500	(4836)	15700	(4601)	14900	(4367)
	10	(-12.2)	17500	(5129)	16700	(4894)	15900	(4660)	15200	(4455)	14400	(4220)	13700	(4015)	12900	(3781)
	5	(-15.0)	15200	(4455)	14500	(4250)	13800	(4045)	13100	(3839)	12400	(3634)	11700	(3429)	---	---
	0	(-17.8)	13100	(3839)	12300	(3605)	11700	(3429)	11000	(3224)	---	---	---	---	---	---
BEHA029H7 Compressor Model CR38K6E	45	(7.2)	40400	(11841)	38900	(11401)	37300	(10932)	35800	(10492)	34400	(10082)	32900	(9642)	---	---
	40	(4.4)	37100	(10873)	35700	(10463)	34300	(10053)	32800	(9613)	31400	(9203)	30100	(8822)	---	---
	35	(1.7)	34000	(9965)	32600	(9555)	31300	(9174)	29900	(8763)	28600	(8382)	27300	(8001)	26100	(7649)
	30	(-1.1)	30900	(9056)	29600	(8675)	28400	(8324)	27100	(7943)	25900	(7591)	24600	(7210)	23400	(6858)
	25	(-3.9)	27900	(8177)	26700	(7825)	25500	(7474)	24400	(7151)	23200	(6800)	22000	(6448)	20900	(6125)
	20	(-6.7)	25100	(7356)	24000	(7034)	22800	(6682)	21700	(6360)	20600	(6038)	19500	(5715)	18500	(5422)
	15	(-9.4)	22300	(6536)	21300	(6243)	20200	(5920)	19200	(5627)	18100	(5305)	17100	(5012)	16100	(4719)
	10	(-12.2)	19700	(5774)	18700	(5481)	17700	(5188)	16700	(4894)	15800	(4631)	14800	(4338)	13800	(4045)
	5	(-15.0)	17200	(5041)	16300	(4777)	15400	(4513)	14400	(4220)	13500	(3957)	12600	(3693)	---	---
	0	(-17.8)	14900	(4367)	14000	(4103)	13100	(3839)	12200	(3576)	---	---	---	---	---	---
BEHA030H7 Compressor Model CR38K6E	45	(7.2)	44900	(13159)	43200	(12661)	41600	(12192)	40000	(11723)	38300	(11225)	36700	(10756)	35100	(10287)
	40	(4.4)	41000	(12016)	39500	(11577)	38000	(11137)	36400	(10668)	34900	(10229)	33400	(9789)	31900	(9349)
	35	(1.7)	37300	(10932)	35900	(10522)	34500	(10111)	33000	(9672)	31600	(9261)	30200	(8851)	28700	(8411)
	30	(-1.1)	33800	(9906)	32400	(9496)	31100	(9115)	29800	(8734)	28400	(8324)	27100	(7943)	25700	(7532)
	25	(-3.9)	30400	(8910)	29100	(8529)	27900	(8177)	26600	(7796)	25400	(7444)	24100	(7063)	22900	(6712)
	20	(-6.7)	27200	(7972)	26000	(7620)	24800	(7268)	23600	(6917)	22400	(6565)	21300	(6243)	20100	(5891)
	15	(-9.4)	24100	(7063)	23000	(6741)	21900	(6419)	20800	(6096)	19700	(5774)	18600	(5451)	17500	(5129)
	10	(-12.2)	21200	(6213)	20200	(5920)	19100	(5598)	18100	(5305)	17000	(4982)	16000	(4689)	15000	(4396)
	5	(-15.0)	18500	(5422)	17500	(5129)	16500	(4836)	15500	(4543)	14500	(4250)	13600	(3986)	12600	(3693)
	0	(-17.8)	15900	(4660)	15000	(4396)	14100	(4132)	13100	(3839)	12200	(3576)	---	---	---	---

--- Outside Operating Range † Max 40°F RGT

table continues on next page >>>

CAPACITY DATA - R22
HIGH / MEDIUM TEMPERATURE (cont'd)

MODEL BEH	SATURATED SUCTION TEMPERATURE		CAPACITY BTU/H (WATTS) R22 AMBIENT TEMPERATURE °F (°C)									
	° F	° C	80 (26.6)	85 (29.4)	90 (32.2)	95 (35)	100 (37.8)	105 (40.6)	110 (43.3)			
BEHA035H7 Compressor Model CR42K6E	45 (7.2)		49400 (14478)	47600 (13951)	45800 (13423)	44000 (12896)	42200 (12368)	40400 (11841)	38500 (11284)			
	40 (4.4)		45000 (13189)	43400 (12720)	41800 (12251)	40100 (11753)	38400 (11254)	36800 (10785)	35100 (10287)			
	35 (1.7)		40900 (11987)	39400 (11547)	37900 (11108)	36400 (10668)	34800 (10199)	33300 (9760)	31800 (9320)			
	30 (-1.1)		36900 (10815)	35500 (10404)	34100 (9994)	32800 (9613)	31400 (9203)	30000 (8792)	28600 (8382)			
	25 (-3.9)		33100 (9701)	31800 (9320)	30600 (8968)	29300 (8587)	28100 (8236)	26800 (7855)	25500 (7474)			
	20 (-6.7)		29500 (8646)	28400 (8324)	27200 (7972)	26100 (7649)	24900 (7298)	23700 (6946)	22600 (6624)			
	15 (-9.4)		26200 (7679)	25100 (7356)	24000 (7034)	23000 (6741)	21900 (6419)	20900 (6125)	19800 (5803)			
	10 (-12.2)		23000† (6741)†	22100† (6477)†	21100† (6184)†	20100† (5891)†	19100† (5598)†	18100† (5305)†	17200† (5041)†			
	5 (-15.0)		20100† (5891)†	19200† (5627)†	18300† (5363)†	17400† (5100)†	16500† (4836)†	15600† (4572)†	---	---		
0 (-17.8)		17500† (5129)†	16600† (4865)†	15800† (4631)†	14900† (4367)†	---	---	---	---			
BEHA040H7 Compressor Model CR53KQE	45 (7.2)		60200 (17644)	58000 (16999)	55800 (16354)	53500 (15680)	51200 (15006)	48900 (14332)	---	---		
	40 (4.4)		55200 (16178)	53100 (15563)	51100 (14977)	49000 (14361)	46900 (13746)	44800 (13130)	42700 (12515)			
	35 (1.7)		50300 (14742)	48400 (14185)	46500 (13628)	44600 (13072)	42700 (12515)	40700 (11928)	38800 (11372)			
	30 (-1.1)		45500 (13335)	43800 (12837)	42100 (12339)	40300 (11811)	38600 (11313)	36800 (10785)	35000 (10258)			
	25 (-3.9)		41000 (12016)	39400 (11547)	37800 (11079)	36200 (10610)	34600 (10141)	33000 (9672)	31400 (9203)			
	20 (-6.7)		36700 (10756)	35200 (10317)	33800 (9906)	32300 (9467)	30800 (9027)	29400 (8617)	27900 (8177)			
	15 (-9.4)		32600 (9555)	31300 (9174)	29900 (8763)	28600 (8382)	27200 (7972)	25900 (7591)	24500 (7181)			
	10 (-12.2)		28800† (8441)†	27500† (8060)†	26300† (7708)†	25000† (7327)†	23800† (6975)†	22600† (6624)†	21300† (6243)†			
	5 (-15.0)		25200† (7386)†	24000† (7034)†	22900† (6712)†	21700† (6360)†	20600† (6038)†	19400† (5686)†	---	---		
0 (-17.8)		21900† (6419)†	20800† (6096)†	19700† (5774)†	18600† (5451)†	---	---	---	---			
BEHA050H7 Compressor Model CRNQ-050E	45 (7.2)		72000 (21102)	69500 (20369)	67000 (19637)	64600 (18933)	62200 (18230)	59800 (17526)	57400 (16823)			
	40 (4.4)		65800 (19285)	63500 (18611)	61300 (17966)	59000 (17292)	56800 (16647)	54600 (16002)	52300 (15328)			
	35 (1.7)		60000 (17585)	57900 (16970)	55800 (16354)	53700 (15739)	51700 (15152)	49600 (14537)	47500 (13921)			
	30 (-1.1)		54400 (15944)	52500 (15387)	50600 (14830)	48700 (14273)	46800 (13716)	44900 (13159)	42900 (12573)			
	25 (-3.9)		49200 (14420)	47400 (13892)	45700 (13394)	43900 (12866)	42100 (12339)	40300 (11811)	38500 (11284)			
	20 (-6.7)		44200 (12954)	42600 (12485)	40900 (11987)	39300 (11518)	37600 (11020)	35900 (10522)	34200 (10023)			
	15 (-9.4)		39400 (11547)	37900 (11108)	36400 (10668)	34800 (10199)	33200 (9730)	31600 (9261)	29900 (8763)			
	10 (-12.2)		34900† (10229)†	33500† (9818)†	32000† (9379)†	30500† (8939)†	29000† (8499)†	27400† (8030)†	25800† (7562)†			
	5 (-15.0)		30500† (8939)†	29100† (8529)†	27800† (8148)†	26300† (7708)†	24800† (7268)†	23200† (6800)†	---	---		
0 (-17.8)		26300† (7708)†	25000† (7327)†	23600† (6917)†	22200† (6506)†	---	---	---	---			

--- Outside Operating Range † Max 40°F RGT

CAPACITY DATA - R407C

HIGH / MEDIUM TEMPERATURE

MODEL BEH	SATURATED SUCTION TEMPERATURE		CAPACITY BTU/H (WATTS) R407C AMBIENT TEMPERATURE °F (°C)													
	° F	° C	80	(26.6)	85	(29.4)	90	(32.2)	95	(35)	100	(37.8)	105	(40.6)	110	(43.3)
	BEHT015H7 Compressor Model AWG5520WX	45 40 35 30 25 20 15 10	(7.2) (4.4) (1.7) (-1.1) (-3.9) (-6.7) (-9.4) (-12.2)	22400 20100 17900 15800 13800 12100 10600 9640	(6560) (5890) (5250) (4630) (4040) (3550) (3110) (2830)	21500 19400 17200 15100 13200 11600 10170 9170	(6300) (5690) (5040) (4430) (3870) (3400) (2980) (2690)	20700 18700 16600 14600 12700 11100 9720 8680	(6070) (5480) (4860) (4280) (3720) (3250) (2850) (2540)	19800 17900 16000 14000 12200 10600 9250 8210	(5800) (5250) (4690) (4100) (3580) (3110) (2710) (2410)	18900 17100 15200 13300 11700 10080 8750 7710	(5540) (5010) (4450) (3900) (3430) (2950) (2560) (2260)	18000 16200 14500 12700 11000 9490 8190 7150	(5280) (4750) (4250) (3720) (3220) (2780) (2400) (2100)	16900 15200 13500 12000 10330 8850 7560 6540
BEHT020H7 Compressor Model AWG5524WX	45 40 35 30 25 20 15 10	(7.2) (4.4) (1.7) (-1.1) (-3.9) (-6.7) (-9.4) (-12.2)	25900 23400 20900 18500 16300 14200 12400 10900	(7590) (6860) (6130) (5420) (4780) (4160) (3630) (3190)	24900 22500 20100 17700 15500 13400 11700 10120	(7300) (6590) (5890) (5190) (4540) (3930) (3430) (2970)	23800 21500 19200 16900 14700 12700 10900 9300	(6980) (6300) (5630) (4950) (4310) (3720) (3190) (2730)	22800 20600 18300 16100 14000 11900 10090 8490	(6680) (6040) (5360) (4720) (4100) (3490) (2960) (2490)	21600 19500 17400 15200 13100 11100 9310 7710	(6330) (5710) (5100) (4450) (3840) (3250) (2730) (2260)	20600 18600 16500 14400 12400 10400 8580 6950	(6040) (5450) (4840) (4220) (3630) (3050) (2510) (2040)	19400 17600 15600 13700 11700 9690 7890 6250	(5690) (5160) (4570) (4020) (3430) (2840) (2310) (1830)
BEHT025H7 Compressor Model AWG5530WX	45 40 35 30 25 20 15 10	(7.2) (4.4) (1.7) (-1.1) (-3.9) (-6.7) (-9.4) (-12.2)	31500 28700 25900 23400 21100 18800 16400 14000	(9230) (8410) (7590) (6860) (6180) (5510) (4810) (4100)	30500 27700 25100 22700 20400 18200 16000 13500	(8940) (8120) (7360) (6650) (5980) (5330) (4690) (3960)	29300 26700 24200 21800 19600 17400 15200 13000	(8590) (7820) (7090) (6390) (5740) (5100) (4450) (3810)	28100 25500 23100 20900 18700 16600 14500 12300	(8240) (7470) (6770) (6130) (5480) (4860) (4250) (3600)	26900 24400 22100 19800 17900 15800 13700 11600	(7880) (7150) (6480) (5800) (5250) (4630) (4020) (3400)	25600 23200 21000 18900 16900 14900 12900 10800	(7500) (6800) (6150) (5540) (4950) (4370) (3780) (3170)	24500 22200 20000 18000 16100 14200 12200 10120	(7180) (6510) (5860) (5280) (4720) (4160) (3580) (2970)
BEHT029H7 Compressor Model AVA5538WX	45 40 35 30 25 20 15 10	(7.2) (4.4) (1.7) (-1.1) (-3.9) (-6.7) (-9.4) (-12.2)	39500 36000 32600 29200 25900 22900 20000 17400	(11580) (10550) (9550) (8560) (7590) (6710) (5860) (5100)	37800 34500 31200 27900 24800 21800 19100 16600	(11080) (10110) (9140) (8180) (7270) (6390) (5600) (4860)	36200 33100 29900 26800 23700 20800 18100 15600	(10610) (9700) (8760) (7850) (6950) (6100) (5300) (4570)	34500 31600 28600 25500 22600 19700 17100 14700	(10110) (9260) (8380) (7470) (6620) (5770) (5010) (4310)	33000 30000 27100 24300 21400 18700 16200 13800	(9670) (8790) (7940) (7120) (6270) (5480) (4750) (4040)	31200 28500 25700 23000 20300 17600 15100 12800	(9140) (8350) (7530) (6740) (5950) (5160) (4430) (3750)	27000 24300 21600 19000 16500 14100 11900	(7910) (7120) (6330) (5570) (4840) (4130) (3490)
BEHT030H7 Compressor Model AVA5538WX	45 40 35 30 25 20 15 10	(7.2) (4.4) (1.7) (-1.1) (-3.9) (-6.7) (-9.4) (-12.2)	43900 39600 35500 31500 27800 24500 21300 18700	(12870) (11610) (10400) (9230) (8150) (7180) (6240) (5480)	42200 38100 34100 30300 26800 23400 20400 17700	(12370) (11170) (9990) (8880) (7850) (6860) (5980) (5190)	40500 36600 32800 29100 25600 22400 19400 16800	(11870) (10730) (9610) (8530) (7500) (6560) (5690) (4920)	38900 35100 31400 27800 24500 21300 18500 15900	(11400) (10290) (9200) (8150) (7180) (6240) (5420) (4660)	37100 33500 29900 26600 23300 20300 17400 14900	(10870) (9820) (8760) (7800) (6830) (5950) (5100) (4370)	35300 31900 28500 25200 22200 19100 16400 14000	(10350) (9350) (8350) (7390) (6510) (5600) (4810) (4100)	33500 30200 27000 23900 20900 18100 15300 12900	(9820) (8850) (7910) (7000) (6130) (5300) (4480) (3780)
BEHT035H7 Compressor Model AVA5542WX	45 40 35 30 25 20 15 10	(7.2) (4.4) (1.7) (-1.1) (-3.9) (-6.7) (-9.4) (-12.2)	48600 43600 38700 34000 29700 25800 22400 19600	(14240) (12780) (11340) (9960) (8700) (7560) (6560) (5740)	45900 41200 36400 32000 27900 24300 21100 18600	(13450) (12070) (10670) (9380) (8180) (7120) (6180) (5450)	43500 38900 34400 30200 26300 22800 20000 17600	(12750) (11400) (10080) (8850) (7710) (6680) (5860) (5160)	41200 36800 32600 28600 24900 21600 18900 16800	(12070) (10780) (9550) (8380) (7300) (6330) (5540) (4920)	39100 34900 30900 27000 23500 20500 18000 16100	(11460) (10230) (9060) (7910) (6890) (6010) (5280) (4720)	37100 33100 29200 25600 22300 19400 17100 15300	(10870) (9700) (8560) (7500) (6540) (5690) (5010) (4480)	35200 31400 27700 24300 21100 18400 16200 14500	(10320) (9200) (8120) (7120) (6180) (5390) (4750) (4250)
BEHT040H7 Compressor Model AGA5553WX	45 40 35 30 25 20 15 10	(7.2) (4.4) (1.7) (-1.1) (-3.9) (-6.7) (-9.4) (-12.2)	55100 49700 44400 39500 34900 30700 26800 23200	(16150) (14570) (13010) (11580) (10230) (9000) (7850) (6800)	52700 47500 42400 37800 33400 29300 25500 22200	(15440) (13920) (12430) (11080) (9790) (8590) (7470) (6510)	50300 45300 40400 35900 31700 27800 24300 21000	(14740) (13280) (11840) (10520) (9290) (8150) (7120) (6150)	47800 42900 38300 34000 29900 26300 22800 19600	(14010) (12570) (11220) (9960) (8760) (7710) (6680) (5740)	45300 40600 36200 32000 28200 24700 21300 18400	(13280) (11900) (10610) (9380) (8260) (7240) (6240) (5390)	42700 38300 34000 30100 26400 23000 19800 16900	(12510) (11220) (9960) (8820) (7740) (6740) (5800) (4950)	40300 36000 31900 28100 24600 21300 18300 15400	(11810) (10550) (9350) (8240) (7210) (6240) (5360) (4510)
BEHT045H7 Compressor Model AGA5561WX	45 40 35 30 25 20 15 10	(7.2) (4.4) (1.7) (-1.1) (-3.9) (-6.7) (-9.4) (-12.2)	65500 59400 53400 47800 42400 37500 33000 29100	(19200) (17410) (15650) (14010) (12430) (10990) (9670) (8530)	62500 56600 50800 45400 40200 35500 31200 27300	(18320) (16590) (14890) (13310) (11780) (10400) (9140) (8000)	59400 53800 48300 43100 38100 33500 29300 25500	(17410) (15770) (14160) (12630) (11170) (9820) (8590) (7470)	56400 51000 45900 40800 36000 31600 27500 23700	(16530) (14950) (13450) (11960) (10550) (9260) (8060) (6950)	53400 48400 43500 38600 34000 29600 25600 21900	(15650) (14180) (12750) (11310) (9960) (8670) (7500) (6420)	50600 45800 41100 36400 32000 27700 23800 20200	(14830) (13420) (12050) (10670) (9380) (8120) (6980) (5920)	47900 43400 38700 34300 30000 25900 22100 18500	(14040) (12720) (11340) (10050) (8790) (7590) (6480) (5420)
BEHT050H7 Compressor Model AGA5568WX	45 40 35 30 25 20 15 10	(7.2) (4.4) (1.7) (-1.1) (-3.9) (-6.7) (-9.4) (-12.2)	69400 62700 56300 50200 44400 39000 34000 29600	(20340) (18380) (16500) (14710) (13010) (11430) (9960) (8670)	67000 60600 54400 48500 43100 38000 33400 29400	(19640) (17760) (15940) (14210) (12630) (11140) (9790) (8620)	64600 58400 52400 46800 41600 36900 32600 28900	(18930) (17120) (15360) (13720) (12190) (10810) (9550) (8470)	62100 56100 50300 44900 40000 35500 31500 28000	(18200) (16440) (14740) (13160) (11720) (10400) (9230) (8210)	59600 53700 48100 42900 38100 33800 30000 26900	(17470) (15740) (14100) (12570) (11170) (9910) (8790) (7880)	57000 51200 45800 40700 36100 32000 28500 25400	(16700) (15010) (13420) (11930) (10580) (9380) (8350) (7440)	54400 48600 43300 38400 33900 29900 26600 23600	(15940) (14240) (12690) (11250) (9940) (8760) (7800) (6920)

NOTES: - Above ratings are based on mean temperature. - To convert to dew point ratings, use 0.95 multiplier.

CAPACITY DATA - R404A R507
MEDIUM TEMPERATURE

MODEL BEH	SATURATED SUCTION TEMPERATURE		CAPACITY BTU/H (WATTS) R404A R507 AMBIENT TEMPERATURE °F (°C)						
	° F	° C	80 (26.6)	85 (29.4)	90 (32.2)	95 (35)	100 (37.8)	105 (40.6)	110 (43.3)
BEHT006M6 Compressor Model AKA9451ZX	30 (-1.1)	9290 (2720)	8780 (2570)	8280 (2430)	7810 (2290)	7350 (2150)	6900 (2020)	6450 (1890)	
	25 (-3.9)	8410 (2460)	7920 (2320)	7440 (2180)	7000 (2050)	6560 (1920)	6140 (1800)	5730 (1680)	
	20 (-6.7)	7620 (2230)	7140 (2090)	6690 (1960)	6260 (1830)	5850 (1710)	5450 (1600)	5050 (1480)	
	15 (-9.4)	6940 (2030)	6470 (1900)	6030 (1770)	5610 (1640)	5210 (1530)	4820 (1410)	4430 (1300)	
	10 (-12.2)	6370 (1870)	5910 (1730)	5470 (1600)	5050 (1480)	4640 (1360)	4260 (1250)	3890 (1140)	
	5 (-15)	5930 (1740)	5460 (1600)	5010 (1470)	4590 (1350)	4180 (1230)	3790 (1110)	3410 (1000)	
0 (-17.8)	5630 (1650)	5130 (1500)	4670 (1370)	4230 (1240)	3810 (1120)	3410 (1000)	3010 (880)		
BEHT008M6 Compressor Model AKA9455ZX	30 (-1.1)	10300 (3020)	9820 (2880)	9300 (2730)	8790 (2580)	8280 (2430)	7780 (2280)	7280 (2130)	
	25 (-3.9)	9430 (2760)	8950 (2620)	8470 (2480)	7990 (2340)	7520 (2200)	7060 (2070)	6590 (1930)	
	20 (-6.7)	8530 (2500)	8070 (2370)	7630 (2240)	7190 (2110)	6760 (1980)	6330 (1860)	5900 (1730)	
	15 (-9.4)	7640 (2240)	7230 (2120)	6830 (2000)	6420 (1880)	6020 (1760)	5620 (1650)	5220 (1530)	
	10 (-12.2)	6810 (2000)	6440 (1890)	6060 (1780)	5680 (1660)	5300 (1550)	4940 (1450)	4570 (1340)	
	5 (-15)	6060 (1780)	5700 (1670)	5340 (1560)	4990 (1460)	4640 (1360)	4290 (1260)	3960 (1160)	
0 (-17.8)	5390 (1580)	5050 (1480)	4710 (1380)	4390 (1290)	4060 (1190)	3740 (1100)	3410 (1000)		
BEHT010M6 Compressor Model AKA9462ZX	30 (-1.1)	11900 (3490)	11400 (3340)	10800 (3170)	10300 (3020)	9710 (2850)	9160 (2680)	8600 (2520)	
	25 (-3.9)	10900 (3190)	10300 (3020)	9830 (2880)	9300 (2730)	8780 (2570)	8250 (2420)	7740 (2270)	
	20 (-6.7)	9840 (2880)	9370 (2750)	8880 (2600)	8400 (2460)	7910 (2320)	7420 (2170)	6940 (2030)	
	15 (-9.4)	8880 (2600)	8440 (2470)	8000 (2340)	7550 (2210)	7090 (2080)	6640 (1950)	6180 (1810)	
	10 (-12.2)	7960 (2330)	7560 (2220)	7140 (2090)	6730 (1970)	6310 (1850)	5890 (1730)	5470 (1600)	
	5 (-15)	7060 (2070)	6690 (1960)	6310 (1850)	5920 (1730)	5530 (1620)	5150 (1510)	4770 (1400)	
0 (-17.8)	6150 (1800)	5810 (1700)	5460 (1600)	5110 (1500)	4760 (1400)	4400 (1290)	4050 (1190)		
BEHT015M6 Compressor Model AWA9490ZX	30 (-1.1)	19800 (5800)	18700 (5480)	17600 (5160)	16500 (4840)	15400 (4510)	14300 (4190)	13200 (3870)	
	25 (-3.9)	17900 (5250)	16900 (4950)	15900 (4660)	14900 (4370)	13900 (4070)	12900 (3780)	12000 (3520)	
	20 (-6.7)	16000 (4690)	15100 (4430)	14200 (4160)	13300 (3900)	12400 (3630)	11500 (3370)	10700 (3140)	
	15 (-9.4)	14200 (4160)	13400 (3930)	12600 (3690)	11800 (3460)	11000 (3220)	10200 (2990)	9400 (2750)	
	10 (-12.2)	12500 (3660)	11800 (3460)	11000 (3220)	10300 (3020)	9570 (2800)	8860 (2600)	8170 (2390)	
	5 (-15)	11000 (3220)	10300 (3020)	9600 (2810)	8940 (2620)	8270 (2420)	7640 (2240)	7020 (2060)	
0 (-17.8)	9630 (2820)	8970 (2630)	8340 (2440)	7720 (2260)	7120 (2090)	6540 (1920)	5990 (1760)		
BEHT020M6 Compressor Model AWA7512ZX	30 (-1.1)	22200 (6510)	21100 (6180)	20000 (5860)	19000 (5570)	17900 (5250)	16800 (4920)	15700 (4600)	
	25 (-3.9)	20100 (5890)	19100 (5600)	18100 (5300)	17100 (5010)	16100 (4720)	15100 (4430)	14200 (4160)	
	20 (-6.7)	18100 (5300)	17200 (5040)	16300 (4780)	15400 (4510)	14500 (4250)	13500 (3960)	12600 (3690)	
	15 (-9.4)	16200 (4750)	15400 (4510)	14500 (4250)	13700 (4020)	12800 (3750)	12000 (3520)	11200 (3280)	
	10 (-12.2)	14400 (4220)	13600 (3990)	12900 (3780)	12100 (3550)	11300 (3310)	10500 (3080)	9780 (2870)	
	5 (-15)	12700 (3720)	12000 (3520)	11300 (3310)	10600 (3110)	9870 (2890)	9170 (2690)	8470 (2480)	
0 (-17.8)	11100 (3250)	10400 (3050)	9800 (2870)	9170 (2690)	8530 (2500)	7890 (2310)	7260 (2130)		
BEHT025M6 Compressor Model AWA7515ZX	30 (-1.1)	26300 (7710)	25200 (7390)	24000 (7030)	22800 (6680)	21600 (6330)	20400 (5980)	19200 (5630)	
	25 (-3.9)	24100 (7060)	23100 (6770)	22000 (6450)	20900 (6130)	19800 (5800)	18700 (5480)	17600 (5160)	
	20 (-6.7)	22000 (6450)	21000 (6150)	20000 (5860)	19000 (5570)	18000 (5280)	17000 (4980)	15900 (4660)	
	15 (-9.4)	19800 (5800)	18900 (5540)	18000 (5280)	17100 (5010)	16200 (4750)	15300 (4480)	14300 (4190)	
	10 (-12.2)	17800 (5220)	17000 (4980)	16100 (4720)	15300 (4480)	14400 (4220)	13600 (3990)	12700 (3720)	
	5 (-15)	15800 (4630)	15100 (4430)	14300 (4190)	13500 (3960)	12700 (3720)	12000 (3520)	11200 (3280)	
0 (-17.8)	14000 (4100)	13300 (3900)	12600 (3690)	11900 (3490)	11200 (3280)	10400 (3050)	9680 (2840)		
BEHT030M6 Compressor Model AVA9519ZX	30 (-1.1)	36600 (10730)	34900 (10230)	33100 (9700)	31400 (9200)	29600 (8670)	27800 (8150)	26100 (7650)	
	25 (-3.9)	33300 (9760)	31600 (9260)	29900 (8760)	28300 (8290)	26600 (7800)	24900 (7300)	23200 (6800)	
	20 (-6.7)	30500 (8940)	28800 (8440)	27200 (7970)	25600 (7500)	24000 (7030)	22400 (6560)	20800 (6100)	
	15 (-9.4)	28100 (8240)	26500 (7770)	24800 (7270)	23200 (6800)	21700 (6360)	20100 (5890)	18600 (5450)	
	10 (-12.2)	26000 (7620)	24300 (7120)	22700 (6650)	21200 (6210)	19600 (5740)	18100 (5300)	16600 (4860)	
	5 (-15)	24100 (7060)	22400 (6560)	20800 (6100)	19200 (5630)	17700 (5190)	16200 (4750)	14700 (4310)	
0 (-17.8)	22200 (6510)	20500 (6010)	18900 (5540)	17300 (5070)	15800 (4630)	14200 (4160)	12800 (3750)		
BEHT035M6 Compressor Model AVA9522ZX	30 (-1.1)	40600 (11900)	38600 (11310)	36600 (10730)	34600 (10140)	32600 (9550)	30600 (8970)	28600 (8380)	
	25 (-3.9)	36600 (10730)	34800 (10200)	32900 (9640)	31100 (9110)	29300 (8590)	27500 (8060)	25700 (7530)	
	20 (-6.7)	32900 (9640)	31200 (9140)	29500 (8650)	27900 (8180)	26200 (7680)	24600 (7210)	22900 (6710)	
	15 (-9.4)	29400 (8620)	27900 (8180)	26300 (7710)	24800 (7270)	23400 (6860)	21900 (6420)	20400 (5980)	
	10 (-12.2)	26200 (7680)	24800 (7270)	23400 (6860)	22000 (6450)	20700 (6070)	19300 (5660)	18000 (5280)	
	5 (-15)	23200 (6800)	21900 (6420)	20600 (6040)	19400 (5690)	18200 (5330)	17000 (4980)	15800 (4630)	
0 (-17.8)	20400 (5980)	19200 (5630)	18100 (5300)	17000 (4980)	15900 (4660)	14800 (4340)	13700 (4020)		
BEHT036M6 Compressor Model AVA7524ZX	30 (-1.1)	43200 (12660)	41100 (12050)	39000 (11430)	36900 (10810)	34800 (10200)	32800 (9610)	30800 (9030)	
	25 (-3.9)	39400 (11550)	37400 (10960)	35500 (10400)	33600 (9850)	31700 (9290)	29900 (8760)	28000 (8210)	
	20 (-6.7)	35800 (10490)	33900 (9940)	32200 (9440)	30400 (8910)	28700 (8410)	27000 (7910)	25300 (7410)	
	15 (-9.4)	32300 (9470)	30600 (8970)	28900 (8470)	27300 (8000)	25800 (7560)	24200 (7090)	22700 (6650)	
	10 (-12.2)	28900 (8470)	27400 (8030)	25900 (7590)	24400 (7150)	23000 (6740)	21500 (6300)	20100 (5890)	
	5 (-15)	25700 (7530)	24300 (7120)	22900 (6710)	21600 (6330)	20300 (5950)	19000 (5570)	17700 (5190)	
0 (-17.8)	22700 (6650)	21400 (6270)	20100 (5890)	18900 (5540)	17700 (5190)	16500 (4840)	15400 (4510)		

--- Outside Operating Range † Max 40°F RGT

table continues on next page >>>

CAPACITY DATA - R404A R507
MEDIUM TEMPERATURE (cont'd)

MODEL BEH	SATURATED SUCTION TEMPERATURE		CAPACITY BTU/H (WATTS) R404A R507 AMBIENT TEMPERATURE °F (°C)						
	° F	° C	80 (26.6)	85 (29.4)	90 (32.2)	95 (35)	100 (37.8)	105 (40.6)	110 (43.3)
BEHT040M6 Compressor Model AVA9528ZX	30 (-1.1)		48200 (14130)	46000 (13480)	43700 (12810)	41500 (12160)	39200 (11490)	37000 (10840)	34700 (10170)
	25 (-3.9)		43500 (12750)	41400 (12130)	39400 (11550)	37300 (10930)	35200 (10320)	33100 (9700)	31000 (9090)
	20 (-6.7)		39200 (11490)	37300 (10930)	35300 (10350)	33400 (9790)	31500 (9230)	29500 (8650)	27600 (8090)
	15 (-9.4)		35300 (10350)	33400 (9790)	31600 (9260)	29900 (8760)	28100 (8240)	26300 (7710)	24500 (7180)
	10 (-12.2)		31600 (9260)	29900 (8760)	28200 (8260)	26600 (7800)	25000 (7330)	23400 (6860)	21800 (6390)
	5 (-15)		28100 (8240)	26600 (7800)	25100 (7360)	23600 (6920)	22200 (6510)	20700 (6070)	19300 (5660)
	0 (-17.8)		24900 (7300)	23500 (6890)	22200 (6510)	20800 (6100)	19500 (5710)	18300 (5360)	17000 (4980)
BEHT050M6 Compressor Model AGA9530ZX	30 (-1.1)		54700 (16030)	52000 (15240)	49300 (14450)	46600 (13660)	43800 (12840)	41100 (12050)	38400 (11250)
	25 (-3.9)		49900 (14620)	47300 (13860)	44800 (13130)	42300 (12400)	39700 (11630)	37200 (10900)	34700 (10170)
	20 (-6.7)		45100 (13220)	42700 (12510)	40400 (11840)	38000 (11140)	35700 (10460)	33400 (9790)	31100 (9110)
	15 (-9.4)		40500 (11870)	38300 (11220)	36100 (10580)	33900 (9940)	31800 (9320)	29600 (8670)	27500 (8060)
	10 (-12.2)		36200 (10610)	34100 (9990)	32100 (9410)	30000 (8790)	28000 (8210)	26100 (7650)	24100 (7060)
	5 (-15)		32200 (9440)	30200 (8850)	28300 (8290)	26400 (7740)	24500 (7180)	22700 (6650)	21000 (6150)
	0 (-17.8)		28500 (8350)	26700 (7820)	24900 (7300)	23100 (6770)	21400 (6270)	19700 (5770)	18100 (5300)
BEHT060M6 Compressor Model AGA9534ZX	30 (-1.1)		64600 (18930)	61500 (18020)	58400 (17120)	55200 (16180)	52100 (15270)	49000 (14360)	45800 (13420)
	25 (-3.9)		59100 (17320)	56200 (16470)	53400 (15650)	50500 (14800)	47600 (13950)	44800 (13130)	41900 (12280)
	20 (-6.7)		52700 (15440)	50100 (14680)	47500 (13920)	44900 (13160)	42300 (12400)	39800 (11660)	37200 (10900)
	15 (-9.4)		45900 (13450)	43700 (12810)	41400 (12130)	39100 (11460)	36800 (10780)	34500 (10110)	32200 (9440)
	10 (-12.2)		39500 (11580)	37500 (10990)	35600 (10430)	33600 (9850)	31600 (9260)	29700 (8700)	27700 (8120)
	5 (-15)		33900 (9940)	32300 (9470)	30700 (9000)	29100 (8530)	27500 (8060)	25900 (7590)	24200 (7090)
	0 (-17.8)		30100 (8820)	28800 (8440)	27600 (8090)	26400 (7740)	25100 (7360)	23800 (6980)	22600 (6620)

--- Outside Operating Range † Max 40°F RGT

CAPACITY DATA - R404A R507
LOW TEMPERATURE

MODEL BEH	SATURATED SUCTION TEMPERATURE ° F ° C	CAPACITY BTU/H (WATTS) R404A R507 AMBIENT TEMPERATURE ° F (° C)							
		80 (26.6)	85 (29.4)	90 (32.2)	95 (35)	100 (37.8)	105 (40.6)	110 (43.3)	
BEHT008L6 Compressor Model AJA2425ZXD	0 (-17.8)	6200 (1820)	5660 (1660)	5180 (1520)	4740 (1390)	4350 (1270)	3980 (1170)	3640 (1070)	
	-5 (-20.6)	5400 (1580)	4900 (1440)	4460 (1310)	4070 (1190)	3720 (1090)	3400 (1000)	3110 (910)	
	-10 (-23.3)	4650 (1360)	4200 (1230)	3800 (1110)	3440 (1010)	3140 (920)	2870 (840)	2610 (760)	
	-15 (-26.1)	3970 (1160)	3560 (1040)	3190 (930)	2880 (840)	2600 (760)	2370 (690)	2150 (630)	
	-20 (-28.9)	3350 (980)	2970 (870)	2650 (780)	2360 (690)	2120 (620)	1920 (560)	1730 (510)	
	-25 (-31.7)	2790 (820)	2450 (720)	2150 (630)	1900 (560)	1690 (500)	1510 (440)	1340 (390)	
	-30 (-34.4)	2310 (680)	1980 (580)	1710 (500)	1490 (440)	1300 (380)	1140 (330)	1000 (290)	
	-35 (-37.2)	1880 (550)	1590 (470)	1330 (390)	1120 (330)	960 (280)	820 (240)	680 (200)	
	-40 (-40)	1520 (450)	1240 (360)	1010 (300)	820 (240)	660 (190)	540 (160)	410 (120)	
BEHT010L6 Compressor Model AWA2440ZX	0 (-17.8)	8330 (2440)	7760 (2270)	7190 (2110)	6640 (1950)	6070 (1780)	5500 (1610)	4950 (1450)	
	-5 (-20.6)	7380 (2160)	6870 (2010)	6350 (1860)	5840 (1710)	5320 (1560)	4810 (1410)	4290 (1260)	
	-10 (-23.3)	6450 (1890)	5990 (1760)	5520 (1620)	5050 (1480)	4590 (1350)	4130 (1210)	3650 (1070)	
	-15 (-26.1)	5550 (1630)	5130 (1500)	4730 (1390)	4310 (1260)	3900 (1140)	3480 (1020)	3060 (900)	
	-20 (-28.9)	4690 (1370)	4330 (1270)	3960 (1160)	3590 (1050)	3230 (950)	2870 (840)	2500 (730)	
	-25 (-31.7)	3870 (1130)	3560 (1040)	3240 (950)	2930 (860)	2630 (770)	2310 (680)	2000 (590)	
	-30 (-34.4)	3120 (910)	2860 (840)	2590 (760)	2330 (680)	2070 (610)	1810 (530)	1550 (450)	
	-35 (-37.2)	2430 (710)	2220 (650)	2010 (590)	1810 (530)	1600 (470)	1390 (410)	1180 (350)	
	-40 (-40)	1830 (540)	1670 (490)	1510 (440)	1370 (400)	1210 (350)	1050 (310)	890 (260)	
BEHT011L6 Compressor Model AWA2450ZX	0 (-17.8)	10100 (2960)	9470 (2780)	8810 (2580)	8150 (2390)	7510 (2200)	6870 (2010)	6250 (1830)	
	-5 (-20.6)	8980 (2630)	8360 (2450)	7740 (2270)	7130 (2090)	6540 (1920)	5950 (1740)	5380 (1580)	
	-10 (-23.3)	7840 (2300)	7270 (2130)	6710 (1970)	6150 (1800)	5610 (1640)	5070 (1490)	4550 (1330)	
	-15 (-26.1)	6750 (1980)	6240 (1830)	5720 (1680)	5210 (1530)	4710 (1380)	4230 (1240)	3760 (1100)	
	-20 (-28.9)	5720 (1680)	5260 (1540)	4790 (1400)	4340 (1270)	3890 (1140)	3450 (1010)	3020 (890)	
	-25 (-31.7)	4780 (1400)	4350 (1270)	3940 (1150)	3530 (1030)	3130 (920)	2740 (800)	2360 (690)	
	-30 (-34.4)	3910 (1150)	3530 (1030)	3160 (930)	2790 (820)	2450 (720)	2110 (620)	1790 (520)	
	-35 (-37.2)	3130 (920)	2800 (820)	2480 (730)	2160 (630)	1860 (550)	1560 (460)	1290 (380)	
	-40 (-40)	2470 (720)	2180 (640)	1910 (560)	1640 (480)	1390 (410)	1140 (330)	920 (270)	
BEHT020L6 Compressor Model AWA2460ZX	0 (-17.8)	12300 (3600)	11500 (3370)	10700 (3140)	9840 (2880)	9040 (2650)	8260 (2420)	7510 (2200)	
	-5 (-20.6)	11000 (3220)	10200 (2990)	9480 (2780)	8730 (2560)	7980 (2340)	7260 (2130)	6540 (1920)	
	-10 (-23.3)	9710 (2850)	9040 (2650)	8360 (2450)	7670 (2250)	6970 (2040)	6290 (1840)	5640 (1650)	
	-15 (-26.1)	8510 (2490)	7900 (2320)	7280 (2130)	6650 (1950)	6020 (1760)	5390 (1580)	4780 (1400)	
	-20 (-28.9)	7340 (2150)	6800 (1990)	6260 (1830)	5680 (1660)	5110 (1500)	4550 (1330)	3990 (1170)	
	-25 (-31.7)	6210 (1820)	5750 (1690)	5270 (1540)	4780 (1400)	4260 (1250)	3750 (1100)	3240 (950)	
	-30 (-34.4)	5120 (1500)	4750 (1390)	4350 (1270)	3910 (1150)	3470 (1020)	3010 (880)	2560 (750)	
	-35 (-37.2)	4080 (1200)	3790 (1110)	3470 (1020)	3100 (910)	2720 (800)	2330 (680)	1940 (570)	
	-40 (-40)	3090 (910)	2880 (840)	2630 (770)	2340 (690)	2030 (590)	1700 (500)	1380 (400)	
BEHT025L6 Compressor Model AVA2490ZX	0 (-17.8)	19000 (5570)	17900 (5250)	16700 (4890)	15600 (4570)	14500 (4250)	13300 (3900)	12200 (3580)	
	-5 (-20.6)	16800 (4920)	15800 (4630)	14800 (4340)	13800 (4040)	12800 (3750)	11800 (3460)	10800 (3170)	
	-10 (-23.3)	14800 (4340)	13900 (4070)	13000 (3810)	12100 (3550)	11200 (3280)	10300 (3020)	9380 (2750)	
	-15 (-26.1)	12900 (3780)	12100 (3550)	11400 (3340)	10600 (3110)	9730 (2850)	8910 (2610)	8100 (2370)	
	-20 (-28.9)	11100 (3250)	10500 (3080)	9800 (2870)	9090 (2660)	8370 (2450)	7630 (2240)	6900 (2020)	
	-25 (-31.7)	9370 (2750)	8880 (2600)	8330 (2440)	7730 (2270)	7090 (2080)	6440 (1890)	5790 (1700)	
	-30 (-34.4)	7800 (2290)	7410 (2170)	6960 (2040)	6450 (1890)	5890 (1730)	5310 (1560)	4740 (1390)	
	-35 (-37.2)	6330 (1860)	6050 (1770)	5680 (1660)	5240 (1540)	4770 (1400)	4250 (1250)	3750 (1100)	
	-40 (-40)	4960 (1450)	4770 (1400)	4470 (1310)	4120 (1210)	3700 (1080)	3260 (960)	2790 (820)	
BEHT030L6 Compressor Model AVA2512ZX	0 (-17.8)	23200 (6800)	21800 (6390)	20300 (5950)	18900 (5540)	17500 (5130)	16100 (4720)	14700 (4310)	
	-5 (-20.6)	20700 (6070)	19400 (5690)	18100 (5300)	16800 (4920)	15500 (4540)	14300 (4190)	13000 (3810)	
	-10 (-23.3)	18300 (5360)	17200 (5040)	16100 (4720)	14900 (4370)	13700 (4020)	12600 (3690)	11500 (3370)	
	-15 (-26.1)	16100 (4720)	15100 (4430)	14100 (4130)	13100 (3840)	12000 (3520)	11000 (3220)	9940 (2910)	
	-20 (-28.9)	13900 (4070)	13100 (3840)	12200 (3580)	11300 (3310)	10400 (3050)	9440 (2770)	8530 (2500)	
	-25 (-31.7)	11900 (3490)	11200 (3280)	10500 (3080)	9660 (2830)	8840 (2590)	8010 (2350)	7190 (2110)	
	-30 (-34.4)	9980 (2920)	9430 (2760)	8800 (2580)	8110 (2380)	7380 (2160)	6650 (1950)	5910 (1730)	
	-35 (-37.2)	8160 (2390)	7740 (2270)	7210 (2110)	6630 (1940)	6000 (1760)	5340 (1560)	4690 (1370)	
	-40 (-40)	6440 (1890)	6130 (1800)	5710 (1670)	5220 (1530)	4670 (1370)	4100 (1200)	3510 (1030)	

--- Outside Operating Range † Max 40°F RGT

CAPACITY DATA - R22
HIGH TEMPERATURE

MODEL BEH	SATURATED SUCTION TEMPERATURE		CAPACITY BTU/H (WATTS) R22 AMBIENT TEMPERATURE °F (°C)									
	°F	°C	80 (26.6)	85 (29.4)	90 (32.2)	95 (35)	100 (37.8)	105 (40.6)	110 (43.3)			
BEHT015H7 Compressor Model AWG5520WX	45 (7.2)		24600 (7210)	23700 (6950)	22800 (6680)	21900 (6420)	21000 (6150)	20100 (5890)	19200 (5630)			
	40 (4.4)		22300 (6540)	21500 (6300)	20700 (6070)	19800 (5800)	19000 (5570)	18200 (5330)	17300 (5070)			
	35 (1.7)		20200 (5920)	19400 (5690)	18600 (5450)	17900 (5250)	17100 (5010)	16300 (4780)	15600 (4570)			
	30 (-1.1)		18100 (5300)	17400 (5100)	16700 (4890)	16000 (4690)	15300 (4480)	14600 (4280)	13900 (4070)			
	25 (-3.9)		16200 (4750)	15600 (4570)	14900 (4370)	14300 (4190)	13600 (3990)	13000 (3810)	12400 (3630)			
	20 (-6.7)		14400 (4220)	13800 (4040)	13200 (3870)	12600 (3690)	12000 (3520)	11500 (3370)	10900 (3190)			
	15 (-9.4)		12700 (3720)	12200 (3580)	11600 (3400)	11100 (3250)	10600 (3110)	10000 (2930)	9510 (2790)			
	10 (-12.2)		11200 (3280)	10700 (3140)	10200 (2990)	9660 (2830)	9180 (2690)	8690 (2550)	8230 (2410)			
BEHT020H7 Compressor Model AWG5524WX	45 (7.2)		28500 (8350)	27500 (8060)	26500 (7770)	25500 (7470)	24600 (7210)	23600 (6920)	22600 (6620)			
	40 (4.4)		26000 (7620)	25100 (7360)	24200 (7090)	23200 (6800)	22300 (6540)	21400 (6270)	20500 (6010)			
	35 (1.7)		23600 (6920)	22700 (6650)	21900 (6420)	21000 (6150)	20200 (5920)	19400 (5690)	18500 (5420)			
	30 (-1.1)		21300 (6240)	20500 (6010)	19700 (5770)	19000 (5570)	18200 (5330)	17400 (5100)	16600 (4860)			
	25 (-3.9)		19200 (5630)	18400 (5390)	17700 (5190)	17000 (4980)	16300 (4780)	15600 (4570)	14800 (4340)			
	20 (-6.7)		17100 (5010)	16500 (4840)	15800 (4630)	15100 (4430)	14500 (4250)	13800 (4040)	13200 (3870)			
	15 (-9.4)		15200 (4450)	14600 (4280)	14000 (4100)	13400 (3930)	12800 (3750)	12100 (3550)	11600 (3400)			
	10 (-12.2)		13400 (3930)	12800 (3750)	12300 (3600)	11700 (3430)	11100 (3250)	10600 (3110)	10000 (2930)			
BEHT025H7 Compressor Model AWG5530WX	45 (7.2)		34200 (10020)	33100 (9700)	32100 (9410)	31000 (9090)	29900 (8760)	28800 (8440)	27700 (8120)			
	40 (4.4)		31300 (9170)	30300 (8880)	29300 (8590)	28300 (8290)	27300 (8000)	26300 (7710)	25300 (7410)			
	35 (1.7)		28400 (8320)	27600 (8090)	26600 (7800)	25700 (7530)	24800 (7270)	23900 (7000)	22900 (6710)			
	30 (-1.1)		25800 (7560)	24900 (7300)	24100 (7060)	23300 (6830)	22400 (6560)	21600 (6330)	20700 (6070)			
	25 (-3.9)		23200 (6800)	22500 (6590)	21700 (6360)	20900 (6130)	20200 (5920)	19400 (5690)	18600 (5450)			
	20 (-6.7)		20800 (6100)	20100 (5890)	19400 (5690)	18700 (5480)	18000 (5280)	17300 (5070)	16600 (4860)			
	15 (-9.4)		18500 (5420)	17900 (5250)	17200 (5040)	16600 (4860)	15900 (4660)	15300 (4480)	14600 (4280)			
	10 (-12.2)		16400 (4810)	15800 (4630)	15200 (4450)	14600 (4280)	14000 (4100)	13400 (3930)	12800 (3750)			
BEHT029H7 Compressor Model AVA5538WX	45 (7.2)		42600 (12480)	41000 (12020)	39400 (11550)	37800 (11080)	36200 (10610)	34500 (10110)	-			
	40 (4.4)		38900 (11400)	37400 (10960)	35900 (10520)	34400 (10080)	32900 (9640)	31400 (9200)	29900 (8760)			
	35 (1.7)		35300 (10350)	33900 (9940)	32500 (9520)	31100 (9110)	29800 (8730)	28400 (8320)	27000 (7910)			
	30 (-1.1)		31700 (9290)	30500 (8940)	29200 (8560)	28000 (8210)	26700 (7820)	25400 (7440)	24100 (7060)			
	25 (-3.9)		28400 (8320)	27200 (7970)	26100 (7650)	24900 (7300)	23800 (6980)	22600 (6620)	21400 (6270)			
	20 (-6.7)		25200 (7390)	24200 (7090)	23100 (6770)	22100 (6480)	21000 (6150)	19900 (5830)	18800 (5510)			
	15 (-9.4)		22300 (6540)	21300 (6240)	20400 (5980)	19400 (5690)	18400 (5390)	17400 (5100)	16400 (4810)			
	10 (-12.2)		19600 (5740)	18700 (5480)	17800 (5220)	16900 (4950)	16000 (4690)	15100 (4430)	14100 (4130)			
BEHT030H7 Compressor Model AVA5538WX	45 (7.2)		47500 (13920)	45800 (13420)	44000 (12900)	42300 (12400)	40600 (11900)	38900 (11400)	37100 (10870)			
	40 (4.4)		43000 (12600)	41400 (12130)	39800 (11660)	38300 (11220)	36700 (10760)	35100 (10290)	33500 (9820)			
	35 (1.7)		38700 (11340)	37300 (10930)	35800 (10490)	34400 (10080)	32900 (9640)	31500 (9230)	30000 (8790)			
	30 (-1.1)		34600 (10140)	33300 (9760)	32000 (9380)	30600 (8970)	29300 (8590)	28000 (8210)	26700 (7820)			
	25 (-3.9)		30700 (9000)	29500 (8650)	28400 (8320)	27200 (7970)	25900 (7590)	24700 (7240)	23500 (6890)			
	20 (-6.7)		27100 (7940)	26100 (7650)	25000 (7330)	23900 (7000)	22800 (6680)	21700 (6360)	20500 (6010)			
	15 (-9.4)		23800 (6980)	22900 (6710)	21900 (6420)	20900 (6130)	19900 (5830)	18800 (5510)	17800 (5220)			
	10 (-12.2)		20900 (6130)	20000 (5860)	19100 (5600)	18200 (5330)	17200 (5040)	16300 (4780)	15300 (4480)			
BEHT035H7 Compressor Model AVA5542WX	45 (7.2)		50200 (14710)	48400 (14180)	46500 (13630)	44700 (13100)	42900 (12570)	41100 (12050)	39400 (11550)			
	40 (4.4)		45500 (13330)	43900 (12870)	42200 (12370)	40500 (11870)	38900 (11400)	37300 (10930)	35600 (10430)			
	35 (1.7)		41200 (12070)	39700 (11630)	38100 (11170)	36600 (10730)	35100 (10290)	33600 (9850)	32100 (9410)			
	30 (-1.1)		37100 (10870)	35700 (10460)	34300 (10050)	32900 (9640)	31500 (9230)	30200 (8850)	28800 (8440)			
	25 (-3.9)		33300 (9760)	32000 (9380)	30700 (9000)	29400 (8620)	28200 (8260)	26900 (7880)	25700 (7530)			
	20 (-6.7)		29800 (8730)	28500 (8350)	27300 (8000)	26200 (7680)	25000 (7330)	23800 (6980)	22700 (6650)			
	15 (-9.4)		26400 (7740)	25300 (7410)	24200 (7090)	23100 (6770)	22000 (6450)	20900 (6130)	19900 (5830)			
	10 (-12.2)		23300 (6830)	22200 (6510)	21200 (6210)	20100 (5890)	19100 (5600)	18200 (5330)	17200 (5040)			
BEHT040H7 Compressor Model AGA5553WX	45 (7.2)		60800 (17820)	58600 (17170)	56300 (16500)	54100 (15860)	51900 (15210)	49700 (14570)	47600 (13950)			
	40 (4.4)		55200 (16180)	53100 (15560)	51000 (14950)	48900 (14330)	46900 (13740)	44800 (13130)	42800 (12540)			
	35 (1.7)		49900 (14620)	47900 (14040)	45900 (13450)	44000 (12900)	42000 (12310)	40100 (11750)	38300 (11220)			
	30 (-1.1)		44800 (13130)	42900 (12570)	41100 (12050)	39200 (11490)	37500 (10990)	35700 (10460)	34000 (9960)			
	25 (-3.9)		40000 (11720)	38200 (11200)	36500 (10700)	34800 (10200)	33200 (9730)	31500 (9230)	29900 (8760)			
	20 (-6.7)		35500 (10400)	33900 (9940)	32300 (9470)	30700 (9000)	29200 (8560)	27700 (8120)	26200 (7680)			
	15 (-9.4)		31400 (9200)	29900 (8760)	28400 (8320)	27000 (7910)	25500 (7470)	24100 (7060)	22800 (6680)			
	10 (-12.2)		27700 (8120)	26300 (7710)	24900 (7300)	23600 (6920)	22200 (6510)	20900 (6130)	19700 (5770)			
BEHT045H7 Compressor Model AGA5561WX	45 (7.2)		69700 (20430)	67300 (19720)	64900 (19020)	62500 (18320)	60200 (17640)	57800 (16940)	55500 (16270)			
	40 (4.4)		63200 (18520)	60900 (17850)	58700 (17200)	56400 (16530)	54200 (15880)	52100 (15270)	49900 (14620)			
	35 (1.7)		56900 (16680)	54800 (16060)	52700 (15440)	50700 (14860)	48600 (14240)	46600 (13660)	44600 (13070)			
	30 (-1.1)		51100 (14980)	49100 (14390)	47100 (13800)	45200 (13250)	43300 (12690)	41400 (12130)	39600 (11610)			
	25 (-3.9)		45600 (13360)	43700 (12810)	41900 (12280)	40100 (11750)	38400 (11250)	36600 (10730)	34900 (10230)			
	20 (-6.7)		40500 (11870)	38800 (11370)	37100 (10870)	35400 (10370)	33800 (9910)	32200 (9440)	30600 (8970)			
	15 (-9.4)		35900 (10520)	34300 (10050)	32700 (9580)	31200 (9140)	29700 (8700)	28200 (8260)	26700 (7820)			
	10 (-12.2)		31800 (9320)	30300 (8880)	28800 (8440)	27400 (8030)	26000 (7620)	24600 (7210)	23200 (6800)			
BEHT050H7 Compressor Model AGA5568WX	45 (7.2)		75200 (22040)	72700 (21310)	70300 (20600)	67800 (19870)	65400 (19170)	63000 (18460)	60500 (17730)			
	40 (4.4)		68200 (19990)	65900 (19310)	63600 (18640)	61300 (17970)	59000 (17290)	56800 (16650)	54500 (15970)			
	35 (1.7)		61500 (18020)	59300 (17380)	57200 (16760)	55100 (16150)	53000 (15530)	50900 (14920)	48800 (14300)			
	30 (-1.1)		55200 (16180)	53200 (15590)	51200 (15010)	49200 (14420)	47300 (13860)	45300 (13280)	43400 (12720)			
	25 (-3.9)		49400 (14480)	47500 (13920)	45600 (13360)	43800 (12840)	42000 (12310)	40200 (11780)	38400 (11250)			
	20 (-6.7)		44000 (12900)	42200 (12370)	40500 (11870)	38800 (11370)	37100 (10870)	35400 (10370)	33800 (9910)			
	15 (-9.4)		39100 (11460)	37500 (10990)	35900 (10520)	34300 (10050)	32700 (9580)	31200 (9140)	29600 (8670)			
	10 (-12.2)		34800 (10200)	33200 (9730)	31700 (9290)	30200 (8850)	28800 (8440)	27300 (8000)	25900 (7590)			

--- Outside Operating Range † Max 40°F RGT

MODEL BEH	COMPRESSOR MODEL NO.	POWER SUPPLY	COMPRESSOR		CONDENSER FAN MOTOR		UNIT		
			RLA	LRA	QTY	FLA	MCA	MOP	
BEHA005H7-*	S1	RST45C1E-CAA	115/1/60	9.4	54.5	1	1.2	13.0	20
	S2	RST45C1E-CAV	208-230/1/60	4.6	26.5	1	0.5	6.3	15
BEHA008H7-*	S1	RST55C1E-CAA	115/1/60	13.5	70.0	1	1.2	18.1	30
	S2	RST55C1E-CAV	208-230/1/60	6.1	33.7	1	0.5	8.1	15
BEHA010H7-*	S2	RST70C1E-PFV	208-230/1/60	6.9	46.0	1	0.5	9.1	15
	T3	RST70C1E-TA5	208-230/3/60	4.9	36.0	1	0.5	6.6	15
BEHA011H7-*	S2	RST80C1E-PFV	208-230/1/60	8.3	46.0	1	0.5	10.9	15
	T3	RST80C1E-TA5	208-230/3/60	5.1	36.0	1	0.5	6.9	15
BEHA013H7-*	S2	RST97C1E-PFV	208-230/1/60	9.0	51.0	1	1.1	12.4	20
	T3	RST97C1E-TA5	208-230/3/60	5.4	36.0	1	1.1	7.9	15
BEHA015H7-*	S2	CR18K6E-PFV	208-230/1/60	9.4	49.0	1	1.1	12.9	20
	T3	CR18K6E-TF5	208-230/3/60	5.4	49.0	1	1.1	7.9	15
BEHA020H7-*	S2	CR24K6E-PFV	208-230/1/60	11.2	61.0	1	1.1	15.1	25
	T3	CR24K6E-TF5	208-230/3/60	6.9	55.0	1	1.1	9.7	15
BEHA025H7-*	T4	CR24K6E-TFD	460/3/60	3.6	28.0	1	0.6	5.1	15
	S2	CR32K6E-PFV	208-230/1/60	14.4	82.0	1	1.1	19.1	30
BEHA029H7-*	T3	CR32K6E-TF5	208-230/3/60	9.0	72.0	1	1.1	12.4	20
	T4	CR32K6E-TFD	460/3/60	4.6	33.0	1	0.6	6.3	15
BEHA030H7-*	S2	CR38K6E-PFV	208-230/1/60	17.1	105.0	1	1.1	22.5	35
	T3	CR38K6E-TF5	208-230/3/60	10.7	85.0	1	1.1	14.5	25
BEHA035H7-*	T4	CR38K6E-TFD	460/3/60	5.3	42.0	1	0.6	7.2	15
	S2	CR42K6E-PFV	208-230/1/60	17.1	105.0	1	2.1	23.5	40
BEHA040H7-*	T3	CR42K6E-TF5	208-230/3/60	10.7	85.0	1	2.1	15.5	25
	T4	CR42K6E-TFD	460/3/60	5.3	42.0	1	1.1	7.7	15
BEHA050H7-*	S2	CR53KQE-PFV	208-230/1/60	18.3	102.0	1	2.1	25.0	40
	T3	CR53KQE-TF5	208-230/3/60	12.6	91.0	1	2.1	17.9	30
BEHA006E6-*	T4	CR42K6E-TFE	575/3/60	5.7	42.0	1	1.1	8.2	15
	S2	CR53KQE-TFD	460/3/60	4.7	39.0	1	0.9	6.7	15
BEHA008E6-*	S2	CR53KQE-PFV	208-230/1/60	26.0	140.0	1	2.1	34.6	60
	T3	CR53KQE-TF5	208-230/3/60	16.3	107.0	1	2.1	22.5	35
BEHA009E6-*	T4	CR53KQE-TFD	460/3/60	8.1	55.0	1	1.1	11.3	15
	S2	CRN0-050E-PFV	208-230/1/60	30.8	142.0	1	2.1	40.6	70
BEHA010E6-*	T3	CRN0-050E-TF5	208-230/3/60	19.2	130.0	1	2.1	26.1	45
	T4	CRN0-050E-TFD	460/3/60	8.7	65.0	1	1.1	11.9	20
BEHA015E6-*	T5	CRN0-050E-TFE	575/3/60	7.1	52.0	1	0.9	9.7	15
	S1	RST45C1E-CAA	115/1/60	9.4	54.5	1	1.2	13.0	20
BEHA015E6-*	S2	RST45C1E-CAV	208-230/1/60	4.6	26.5	1	0.5	6.3	15
	S1	RST55C1E-CAA	115/1/60	13.5	70.0	1	1.2	18.1	30
BEHA020E6-*	S2	RST55C1E-CAV	208-230/1/60	6.1	33.7	1	0.5	8.1	15
	S1	RST64C1E-CAA	115/1/60	13.1	77.0	1	1.2	17.6	30
BEHA025E6-*	S2	RST64C1E-CAV	208-230/1/60	8.0	43.0	1	0.5	10.5	15
	S2	RST70C1E-PFV	208-230/1/60	6.9	46.0	1	0.5	9.1	15
BEHA029E6-*	T3	RST70C1E-TA5	208-230/3/60	4.9	36.0	1	0.5	6.6	15
	S2	CS10K6E-PFV	208-230/1/60	9.8	56.0	1	1.1	13.4	20
BEHA030E6-*	T3	CS10K6E-TF5	208-230/3/60	6.7	51.0	1	1.1	9.5	15
	T4	CS10K6E-TFD	460/3/60	3.2	25.0	1	0.6	4.6	15
BEHA035E6-*	S2	CS12K6E-PFV	208-230/1/60	9.8	56.0	1	1.1	13.4	20
	T3	CS12K6E-TF5	208-230/3/60	6.7	51.0	1	1.1	9.5	15
BEHA040E6-*	S2	CS14K6E-PFV	208-230/1/60	11.2	61.0	1	1.1	15.1	25
	T3	CS14K6E-TF5	208-230/3/60	8.2	55.0	1	1.1	11.4	15
BEHA050E6-*	T4	CS14K6E-TFD	460/3/60	4.2	28.0	1	0.6	5.9	15
	S2	CS18K6E-PFV	208-230/1/60	14.4	82.0	1	1.1	19.0	30
BEHA006L6-*	T3	CS18K6E-TF5	208-230/3/60	7.9	65.5	1	1.1	11.0	15
	T4	CS18K6E-TFD	460/3/60	4.2	33.0	1	0.6	5.9	15
BEHA008L6-*	S2	CS18K6E-PFV	208-230/1/60	14.4	82.0	1	2.1	20.0	30
	T3	CS18K6E-TF5	208-230/3/60	7.9	65.5	1	2.1	12.0	15
BEHA010L6-*	T4	CS18K6E-TFD	460/3/60	4.2	33.0	1	1.1	6.4	15
	S2	CS20K6E-PFV	208-230/1/60	16.7	96.0	1	2.1	22.9	35
BEHA015L6-*	T3	CS20K6E-TF5	208-230/3/60	10.2	75.0	1	2.1	14.9	25
	T4	CS20K6E-TFD	460/3/60	4.6	40.0	1	1.1	6.8	15
BEHA020L6-*	S2	CS27K6E-PFV	208-230/1/60	21.5	95.4	1	2.1	28.9	50
	T3	CS27K6E-TF5	208-230/3/60	14.0	82.0	1	2.1	19.6	30
BEHA025L6-*	T4	CS27K6E-TFD	460/3/60	7.6	41.0	1	1.1	10.6	15
	S2	CS33K6E-PFV	208-230/1/60	27.6	125.0	1	2.1	36.6	60
BEHA030L6-*	T3	CS33K6E-TF5	208-230/3/60	16.8	102.0	1	2.1	23.1	35
	T4	CS33K6E-TFD	460/3/60	8.8	48.0	1	1.1	12.2	20
BEHA035L6-*	S1	RFT22C1E-CAA	115/1/60	7.1	54.5	1	1.2	10.1	15
	S2	RFT22C1E-CAV	208-230/1/60	4.7	29.0	1	0.5	6.4	15
BEHA040L6-*	S1	RFT26C1E-CAA	115/1/60	9.7	66.0	1	1.2	13.3	20
	S2	RFT26C1E-CAV	208-230/1/60	5.8	35.5	1	0.5	7.8	15
BEHA045L6-*	S2	CF04K6E-PFV	208-230/1/60	9.9	59.2	1	0.5	12.9	20
	T3	CF04K6E-TF5	208-230/3/60	6.1	52.0	1	0.5	8.1	15
BEHA050L6-*	S2	CF06K6E-PFV	208-230/1/60	10.3	59.2	1	0.5	13.3	20
	T3	CF06K6E-TF5	208-230/3/60	6.3	52.0	1	0.5	8.4	15
BEHA055L6-*	S2	CF06K6E-PFV	208-230/1/60	10.3	59.2	1	0.5	13.3	20
	T3	CF06K6E-TF5	208-230/3/60	6.3	52.0	1	0.5	8.4	15
BEHA060L6-*	S2	CF09K6E-PFV	208-230/1/60	15.0	87.0	1	1.1	19.9	30
	T3	CF09K6E-TF5	208-230/3/60	9.2	72.2	1	1.1	12.6	20
BEHA065L6-*	T4	CF09K6E-TFD	460/3/60	4.9	35.8	1	0.6	6.8	15
	S2	CF12K6E-PFV	208-230/1/60	18.4	105.0	1	1.1	24.1	40
BEHA070L6-*	T3	CF12K6E-TF5	208-230/3/60	11.0	85.0	1	1.1	14.9	25
	T4	CF12K6E-TFD	460/3/60	5.9	42.0	1	0.6	8.0	15

* I = Indoor, H = Outdoor. Above listed RLA value is based on UL rating method and may differ from published compressor RLA data.

MODEL BEH	COMPRESSOR MODEL NO.	POWER SUPPLY	COMPRESSOR		CONDENSER FAN MOTOR		UNIT		
			RLA	LRA	QTY	FLA	MCA	MOP	
BEHT015H7- *	S2	AWG5520WXN	208-230/1/60	9.5	52	1	1.1	13.0	20
	T3	AWG5520WXT	208-230/3/60	6.1	51	1	1.1	8.7	15
	T4	AWG5520WXG	460/3/60	3.9	25	1	0.6	5.4	15
BEHT020H7- *	S2	AWG5524WXN	208-230/1/60	11.7	60	1	1.1	15.8	25
	T3	AWG5524WXT	208-230/3/60	7.8	50	1	1.1	10.8	15
	T4	AWG5524WXG	460/3/60	3.8	25	1	0.6	5.4	15
BEHT025H7- *	S2	AWG5530WXN	208-230/1/60	13.9	70.0	1	1.1	18.5	30
	T3	AWG5530WXT	208-230/3/60	10.4	63.4	1	1.1	14.1	20
BEHT029H7- *	S2	AVA5538WXN	208-230/1/60	19.7	95	1	1.1	25.8	45
	T3	AVA5538WXT	208-230/3/60	13.5	73.4	1	1.1	17.9	30
	T4	AVA5538WXG	460/3/60	5.8	37.7	1	0.6	7.9	15
BEHT030H7- *	S2	AVA5538WXN	208-230/1/60	19.7	95	1	2.1	26.8	40
	T3	AVA5538WXT	208-230/3/60	13.5	73.4	1	2.1	18.9	30
	T4	AVA5538WXG	460/3/60	5.8	37.7	1	1.1	8.4	15
BEHT035H7- *	S2	AVA5542WXA	208-230/1/60	22.1	108.0	1	2.1	29.7	50
	T3	AVA5542WXT	208-230/3/60	13.7	74	1	2.1	19.2	30
	T4	AVA5542WXG	460/3/60	6.2	37	1	1.1	8.8	15
BEHT040H7- *	S2	AGA5553WXN	208-230/1/60	28.5	132	1	2.1	37.8	60
	T3	AGA5553WXT	208-230/3/60	16.5	103	1	2.1	22.7	35
BEHT045H7- *	S2	AGA5561WXN	208-230/1/60	30.5	165	1	2.1	40.2	70
	T3	AGA5561WXT	208-230/3/60	18.8	126	1	2.1	25.6	40
BEHT050H7- *	S2	AGA5568WXN	208-230/1/60	34.6	179	1	2.1	45.4	80
	T3	AGA5568WXT	208-230/3/60	21.5	135	1	2.1	29.0	50
BEHT006M6- *	S2	AKA9451ZXD	208-230/1/60	5.9	31	1	0.5	7.9	15
BEHT008M6- *	S2	AKA9455ZXD	208-230/1/60	5.8	31	1	0.5	7.8	15
BEHT010M6- *	S2	AKA9462ZXD	208-230/1/60	6.3	34	1	0.5	8.4	15
BEHT015M6- *	S2	AWA9490ZXX	208-230/1/60	10.6	52	1	1.1	14.4	25
	T3	AWA9490ZXT	208-230/3/60	6.7	51	1	1.1	9.5	15
	T4	AWA9490ZXG	460/3/60	3.8	25	1	0.6	5.4	15
BEHT020M6- *	S2	AWA7512ZXD	208-230/1/60	12.8	73	1	1.1	17.1	25
	T3	AWA7512ZXT	208-230/3/60	8.3	63.4	1	1.1	11.5	15
BEHT025M6- *	S2	AWA7515ZXD	208-230/1/60	16.0	96.8	1	1.1	21.1	35
	T3	AWA7515ZXT	208-230/3/60	8.3	63.4	1	1.1	11.5	15
BEHT030M6- *	S2	AVA9519ZXX	208-230/1/60	20.3	95	1	2.1	27.5	40
	T3	AVA9519ZXT	208-230/3/60	13.8	73.4	1	2.1	19.3	30
	T4	AVA9519ZXG	460/3/60	5.8	37.7	1	1.1	8.4	15
BEHT035M6- *	S2	AVA9522ZXX	208-230/1/60	22.6	108	1	2.1	30.4	50
	T3	AVA9522ZXT	208-230/3/60	15.7	74	1	2.1	21.7	35
	T4	AVA9522ZXG	460/3/60	6.0	37	1	1.1	8.6	15
BEHT036M6- *	S2	AVA7524ZXX	208-230/1/60	21.3	106.6	1	2.1	28.8	50
	T3	AVA7524ZXT	208-230/3/60	11.3	65.1	1	2.1	16.3	25
	T4	AVA7524ZXG	460/3/60	6.3	38.3	1	1.1	9.0	15
BEHT040M6- *	S2	AVA9528ZXX	208-230/1/60	30.3	132	1	2.1	40.0	70
	T3	AVA9528ZXT	208-230/3/60	19.3	110	1	2.1	26.2	45
BEHT050M6- *	S2	AGA9530ZXX	208-230/1/60	34.5	165	1	2.1	45.2	70
	T3	AGA9530ZXT	208-230/3/60	18.7	126	1	2.1	25.5	40
	T4	AGA9530ZXG	460/3/60	9.0	62	1	1.1	12.4	20
BEHT060M6- *	S2	AGA9534ZXX	208-230/1/60	39.8	179	1	2.1	51.9	90
	T3	AGA9534ZXT	208-230/3/60	22.9	135	1	2.1	30.7	50
BEHT008L6- *	S2	AJA2425ZXD	208-230/1/60	4.5	38.7	1	0.5	6.1	15
BEHT010L6- *	S2	AWA2440ZXD	208-230/1/60	8.7	73	1	0.5	11.3	20
	T3	AWA2440ZXT	208-230/3/60	4.9	40.5	1	0.5	6.7	15
BEHT011L6- *	S2	AWA2450ZXD	208-230/1/60	9.4	56.0	1	0.5	12.3	20
	T3	AWA2450ZXT	208-230/3/60	5.8	40.5	1	0.5	7.8	15
BEHT020L6- *	S2	AWA2460ZXD	208-230/1/60	12.6	86	1	0.5	16.2	25
	T3	AWA2460ZXT	208-230/3/60	8.3	63.4	1	0.5	10.9	15
BEHT025L6- *	S2	AVA2490ZXX	208-230/1/60	16.2	106.6	1	1.1	21.4	35
	T3	AVA2490ZXT	208-230/3/60	9.9	65.1	1	1.1	13.4	20
	T4	AVA2490ZXG	460/3/60	5.3	38.3	1	0.6	7.3	15
BEHT030L6- *	S2	AVA2512ZXX	208-230/1/60	20.8	120.3	1	1.1	27.1	40
	T3	AVA2512ZXT	208-230/3/60	11.0	65.1	1	1.1	14.8	25
	T4	AVA2512ZXG	460/3/60	6.2	38.3	1	0.6	8.3	15

* I = Indoor, H = Outdoor. Above listed RLA value is based on UL rating method and may differ from published compressor RLA data.

MODEL BEH	COMPRESSOR MODEL NO.	POWER SUPPLY	COMPRESSOR		ECM CONDENSER FAN		UNIT	
			RLA	LRA	QTY	FLA	MCA	MOP
BEHA005H7- * S2B	RST45C1E-CAV	208-230/1/60	4.6	26.5	1	1.0	6.8	15
BEHA008H7- * S2B	RST55C1E-CAV	208-230/1/60	6.1	33.7	1	1.0	8.6	15
BEHA010H7- * S2B	RST70C1E-PFV	208-230/1/60	6.9	46.0	1	1.0	9.6	15
	T3B	RST70C1E-TFC	208-230/3/60	4.9	36.0	1	1.0	7.1
BEHA011H7- * S2B	RST80C1E-PFV	208-230/1/60	8.3	46.0	1	1.0	11.4	15
	T3B	RST80C1E-TA5	208-230/3/60	5.1	36.0	1	1.0	7.4
BEHA013H7- * S2B	RST97C1E-PFV	208-230/1/60	9.0	51.0	1	2.0	13.3	20
	T3B	RST97C1E-TA5	208-230/3/60	5.4	36.0	1	2.0	8.8
BEHA015H7- * S2B	CR18K6E-PFV	208-230/1/60	9.4	49.0	1	2.0	13.8	20
	T3B	CR18K6E-TF5	208-230/3/60	5.4	49.0	1	2.0	8.8
BEHA020H7- * S2B	CR24K6E-PFV	208-230/1/60	11.2	61.0	1	2.0	16.0	25
	T3B	CR24K6E-TF5	208-230/3/60	6.9	55.0	1	2.0	10.6
BEHA025H7- * S2B	CR32K6E-PFV	208-230/1/60	14.4	82.0	1	2.0	20.0	30
	T3B	CR32K6E-TF5	208-230/3/60	9.0	72.0	1	2.0	13.3
BEHA029H7- * S2B	CR38K6E-PFV	208-230/1/60	17.1	105.0	1	2.0	23.4	40
	T3B	CR38K6E-TF5	208-230/3/60	10.7	85.0	1	2.0	15.4
BEHA030H7- * S2B	CR38K6E-PFV	208-230/1/60	17.1	105.0	1	3.5	24.9	40
	T3B	CR38K6E-TF5	208-230/3/60	10.7	85.0	1	3.5	16.9
BEHA035H7- * S2B	CR42K6E-PFV	208-230/1/60	18.3	102.0	1	3.5	26.4	40
	T3B	CR42K6E-TF5	208-230/3/60	12.6	91.0	1	3.5	19.3
BEHA040H7- * S2B	CR53KQE-PFV	208-230/1/60	26.0	140.0	1	3.5	36.0	60
	T3B	CR53KQE-TF5	208-230/3/60	16.3	107.0	1	3.5	23.9
BEHA050H7- * S2B	CRNQ-050E-PFV	208-230/1/60	30.8	142.0	1	3.5	42.0	70
	T3B	CRNQ-050E-TF5	208-230/3/60	19.2	130.0	1	3.5	27.5
BEHA006E6- * S2B	RST45C1E-CAV	208-230/1/60	4.6	26.5	1	1.0	6.8	15
BEHA008E6- * S2B	RST55C1E-CAV	208-230/1/60	6.1	33.7	1	1.0	8.6	15
BEHA009E6- * S2B	RST64C1E-CAV	208-230/1/60	8.1	43.0	1	1.0	11.1	15
BEHA010E6- * S2B	RST70C1E-PFV	208-230/1/60	6.9	46.0	1	1.0	9.6	15
	T3B	RST70C1E-TFC	208-230/3/60	4.9	36.0	1	1.0	7.1
BEHA015E6- * S2B	CS10K6E-PFV	208-230/1/60	9.8	56.0	1	2.0	14.3	20
	T3B	CS10K6E-TF5	208-230/3/60	6.7	51.0	1	2.0	10.4
BEHA020E6- * S2B	CS12K6E-PFV	208-230/1/60	9.8	56.0	1	2.0	14.3	20
	T3B	CS12K6E-TF5	208-230/3/60	6.7	51.0	1	2.0	10.4
BEHA025E6- * S2B	CS14K6E-PFV	208-230/1/60	11.2	61.0	1	2.0	16.0	25
	T3B	CS14K6E-TF5	208-230/3/60	8.2	55.0	1	2.0	12.3
BEHA029E6- * S2B	CS18K6E-PFV	208-230/1/60	14.4	82.0	1	2.0	19.9	30
	T3B	CS18K6E-TF5	208-230/3/60	9.4	65.5	1	2.0	13.8
BEHA030E6- * S2B	CS18K6E-PFV	208-230/1/60	14.4	82.0	1	3.5	21.4	35
	T3B	CS18K6E-TF5	208-230/3/60	9.4	65.5	1	3.5	15.3
BEHA035E6- * S2B	CS20K6E-PFV	208-230/1/60	16.7	96.0	1	3.5	24.3	40
	T3B	CS20K6E-TF5	208-230/3/60	10.2	75.0	1	3.5	16.3
BEHA040E6- * S2B	CS27K6E-PFV	208-230/1/60	21.5	121.0	1	3.5	30.3	50
	T3B	CS27K6E-TF5	208-230/3/60	14.0	105.0	1	3.5	21.0
BEHA050E6- * S2B	CS33K6E-PFV	208-230/1/60	27.6	125.0	1	3.5	38.0	60
	T3B	CS33K6E-TF5	208-230/3/60	16.8	102.0	1	3.5	24.5
BEHA006L6- * S2B	RFT22C1E-CAV	208-230/1/60	4.7	29.0	1	1.0	6.9	15
BEHA008L6- * S2B	RFT26C1E-CAV	208-230/1/60	5.8	35.5	1	1.0	8.3	15
BEHA010L6- * S2B	CF04K6E-PFV	208-230/1/60	8.6	59.2	1	1.0	11.8	20
	T3B	CF04K6E-TF5	208-230/3/60	5.7	52.0	1	1.0	8.1
BEHA015L6- * S2B	CF06K6E-PFV	208-230/1/60	10.3	59.2	1	1.0	13.8	20
	T3B	CF06K6E-TF5	208-230/3/60	6.3	52.0	1	1.0	8.9
BEHA020L6- * S2B	CF06K6E-PFV	208-230/1/60	10.3	59.2	1	1.0	13.8	20
	T3B	CF06K6E-TF5	208-230/3/60	6.3	52.0	1	1.0	8.9
BEHA025L6- * S2B	CF09K6E-PFV	208-230/1/60	15.0	87.0	1	2.0	20.8	35
	T3B	CF09K6E-TF5	208-230/3/60	9.2	72.2	1	2.0	13.5
BEHA030L6- * S2B	CF12K6E-PFV	208-230/1/60	18.4	105.0	1	2.0	25.0	40
	T3B	CF12K6E-TF5	208-230/3/60	11.0	85.0	1	2.0	15.8

* I = Indoor, H = Outdoor. Above listed RLA value is based on UL rating method and may differ from published compressor RLA data.

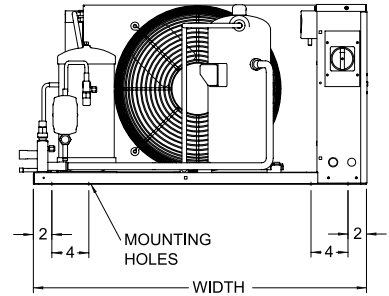
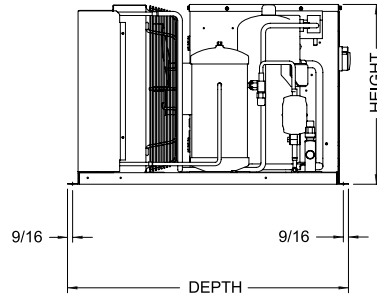
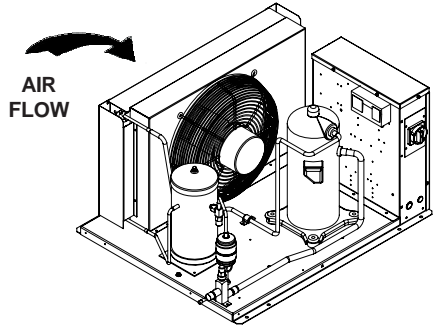
† Applies to units with variable speed EC motors or SmartSpeed (1/2 - 5 HP only). Contact factory for details.

MODEL BEH	COMPRESSOR MODEL NO.	POWER SUPPLY	COMPRESSOR		ECM CONDENSER FAN		UNIT		
			RLA	LRA	QTY	FLA	MCA	MOP	
BEHT015H7- *	S2B	AWG5520WXN	208-230/1/60	9.5	52	1	2.0	13.9	20
	T3B	AWG5520WXT	208-230/3/60	6.1	51	1	2.0	9.6	15
BEHT020H7- *	S2B	AWG5524WXN	208-230/1/60	11.7	60	1	2.0	16.7	25
	T3B	AWG5524WXT	208-230/3/60	7.8	50	1	2.0	11.7	15
BEHT025H7- *	S2B	AWG5530WXN	208-230/1/60	13.9	70.0	1	2.0	19.4	30
	T3B	AWG5530WXT	208-230/3/60	10.4	63.4	1	2.0	15.0	25
BEHT029H7- *	S2B	AVA5538WXN	208-230/1/60	19.7	95	1	2.0	26.7	45
	T3B	AVA5538WXT	208-230/3/60	13.5	73.4	1	2.0	18.8	30
BEHT030H7- *	S2B	AVA5538WXN	208-230/1/60	19.7	95	1	3.5	28.2	40
	T3B	AVA5538WXT	208-230/3/60	13.5	73.4	1	3.5	20.3	30
BEHT035H7- *	S2B	AVA5542WXA	208-230/1/60	22.1	108.0	1	3.5	31.1	50
	T3B	AVA5542WXT	208-230/3/60	13.7	74	1	3.5	20.6	30
BEHT040H7- *	S2B	AGA5553WXN	208-230/1/60	28.5	132	1	3.5	39.2	60
	T3B	AGA5553WXT	208-230/3/60	16.5	103	1	3.5	24.1	40
BEHT045H7- *	S2B	AGA5561WXN	208-230/1/60	30.5	165	1	3.5	41.6	70
	T3B	AGA5561WXT	208-230/3/60	18.8	126	1	3.5	27.0	40
BEHT050H7- *	S2B	AGA5568WXN	208-230/1/60	34.6	179	1	3.5	46.8	80
	T3B	AGA5568WXT	208-230/3/60	21.5	135	1	3.5	30.4	50
BEHT006M6- *	S2B	AKA9451ZXD	208-230/1/60	5.9	31	1	1.0	8.4	15
BEHT008M6- *	S2B	AKA9455ZXD	208-230/1/60	5.8	31	1	1.0	8.3	15
BEHT010M6- *	S2B	AKA9462ZXD	208-230/1/60	6.3	34	1	1.0	8.9	15
BEHT015M6- *	S2B	AWA9490ZXN	208-230/1/60	10.6	52	1	2.0	15.3	25
	T3B	AWA9490ZXT	208-230/3/60	6.7	51	1	2.0	10.4	15
BEHT020M6- *	S2B	AWA7512ZXD	208-230/1/60	12.8	73	1	2.0	18.0	30
	T3B	AWA7512ZXT	208-230/3/60	8.3	63.4	1	2.0	12.4	20
BEHT025M6- *	S2B	AWA7515ZXD	208-230/1/60	16.0	96.8	1	2.0	22.0	35
	T3B	AWA7515ZXT	208-230/3/60	8.3	63.4	1	2.0	12.4	20
BEHT030M6- *	S2B	AVA9519ZXN	208-230/1/60	20.3	95	1	3.5	28.9	40
	T3B	AVA9519ZXT	208-230/3/60	13.8	73.4	1	3.5	20.7	30
BEHT035M6- *	S2B	AVA9522ZXN	208-230/1/60	22.6	108	1	3.5	31.8	50
	T3B	AVA9522ZXT	208-230/3/60	15.7	74	1	3.5	23.1	35
BEHT036M6- *	S2B	AVA7524ZXN	208-230/1/60	21.3	106.6	1	3.5	30.2	50
	T3B	AVA7524ZXT	208-230/3/60	11.3	65.1	1	3.5	17.7	25
BEHT040M6- *	S2B	AVA9528ZXN	208-230/1/60	30.3	132	1	3.5	41.4	70
	T3B	AVA9528ZXT	208-230/3/60	19.3	110	1	3.5	27.6	45
BEHT050M6- *	S2B	AGA9530ZXN	208-230/1/60	34.5	165	1	3.5	46.6	80
	T3B	AGA9530ZXT	208-230/3/60	18.7	126	1	3.5	26.9	40
BEHT060M6- *	S2B	AGA9534ZXN	208-230/1/60	39.8	179	1	3.5	53.3	90
	T3B	AGA9534ZXT	208-230/3/60	22.9	135	1	3.5	32.1	50
BEHT008L6- *	S2B	AJA2425ZXD	208-230/1/60	4.5	38.7	1	1.0	6.6	15
BEHT010L6- *	S2B	AWA2440ZXD	208-230/1/60	8.7	73	1	1.0	11.8	20
	T3B	AWA2440ZXT	208-230/3/60	4.9	40.5	1	1.0	7.2	15
BEHT011L6- *	S2B	AWA2450ZXD	208-230/1/60	9.4	56.0	1	1.0	12.8	20
	T3B	AWA2450ZXT	208-230/3/60	5.8	40.5	1	1.0	8.3	15
BEHT020L6- *	S2B	AWA2460ZXD	208-230/1/60	12.6	86	1	1.0	16.7	25
	T3B	AWA2460ZXT	208-230/3/60	8.3	63.4	1	1.0	11.4	15
BEHT025L6- *	S2B	AVA2490ZXN	208-230/1/60	16.2	106.6	1	2.0	22.3	35
	T3B	AVA2490ZXT	208-230/3/60	9.9	65.1	1	2.0	14.3	20
BEHT030L6- *	S2B	AVA2512ZXN	208-230/1/60	20.8	120.3	1	2.0	28.0	40
	T3B	AVA2512ZXT	208-230/3/60	11.0	65.1	1	2.0	15.7	25

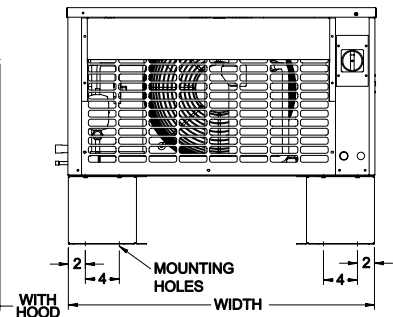
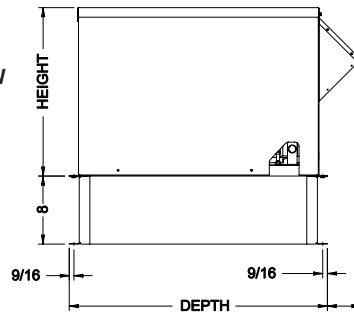
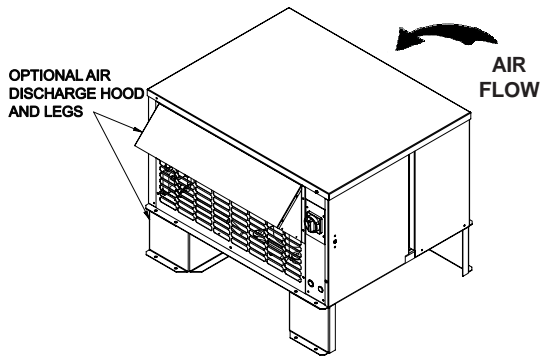
* I = Indoor, H = Outdoor. Above listed RLA value is based on UL rating method and may differ from published compressor RLA data.

† Applies to units with variable speed EC motors or SmartSpeed (1/2 - 5 HP only). Contact factory for details.

DRAWING #1

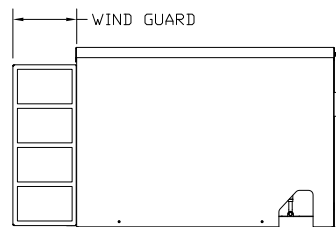
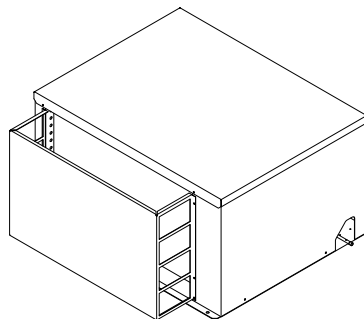


INDOOR DIMENSIONS



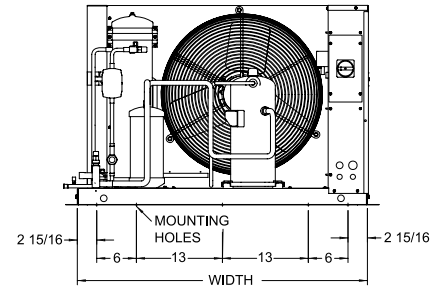
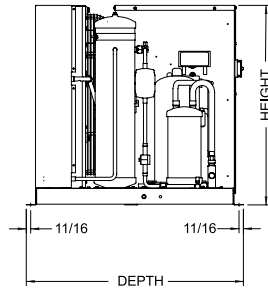
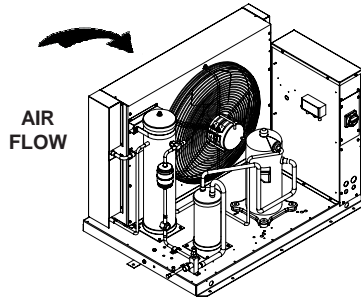
OUTDOOR DIMENSIONS

NOTE: Discharge hood, legs and wind guard are optional components

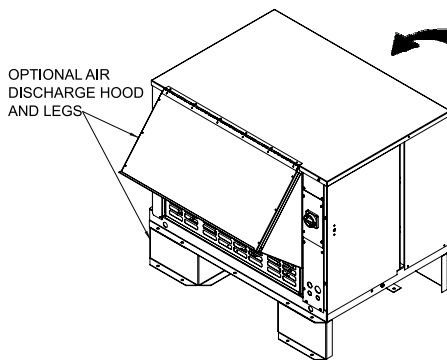


**REFER TO PAGES 25-26 FOR
DIMENSIONAL DATA FOR SPECIFIC MODELS**

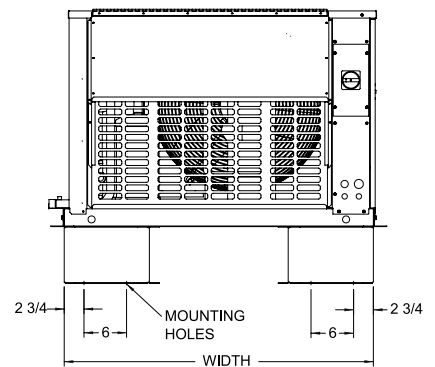
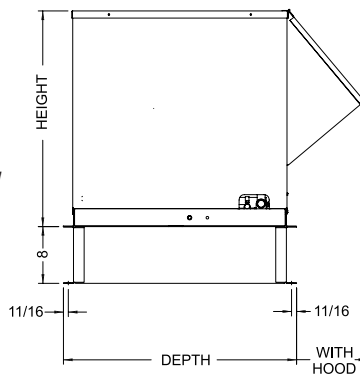
DRAWING #2



INDOOR DIMENSIONS

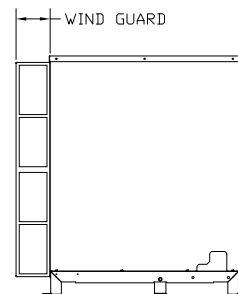
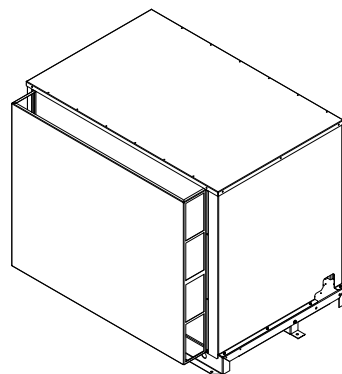


AIR FLOW



OUTDOOR DIMENSIONS

NOTE: Discharge hood, legs and wind guard are optional components



**REFER TO PAGES 25-26 FOR
DIMENSIONAL DATA FOR SPECIFIC MODELS**

DIMENSIONAL DATA
COPELAND MODELS

MODEL BEH	CHASSIS	DRAWING # (see table below)	OUTDOOR MODELS										INDOOR MODELS					
			WIDTH		DEPTH				HEIGHT		WIDTH		DEPTH		HEIGHT			
					Base		With Hood, add:										Wind Guard, add:	
Inches	mm	Inches	mm	Inches	mm	Inches	mm	Inches	mm	Inches	mm	Inches	mm	Inches	mm	Inches	mm	
BEHA005H7	A	1	24 7/8	632	30 3/8	772	4	102	6	152	24 7/8	632	30 3/8	772	34 3/8	873	16 7/8	429
BEHA008H7		1	24 7/8	632	30 3/8	772	4	102	6	152	24 7/8	632	30 3/8	772	34 3/8	873	16 7/8	429
BEHA010H7		1	24 7/8	632	30 3/8	772	4	102	6	152	24 7/8	632	30 3/8	772	34 3/8	873	16 7/8	429
BEHA011H7		1	24 7/8	632	30 3/8	772	4	102	6	152	24 7/8	632	30 3/8	772	34 3/8	873	16 7/8	429
BEHA013H7	B	1	36 3/8	924	30 3/8	772	4	102	7	178	19 7/8	505	36 1/8	918	30 3/8	772	19 1/2	495
BEHA015H7		1	36 3/8	924	30 3/8	772	4	102	7	178	19 7/8	505	36 1/8	918	30 3/8	772	19 1/2	495
BEHA020H7		1	36 3/8	924	30 3/8	772	4	102	7	178	19 7/8	505	36 1/8	918	30 3/8	772	19 1/2	495
BEHA025H7		1	36 3/8	924	30 3/8	772	4	102	7	178	19 7/8	505	36 1/8	918	30 3/8	772	19 1/2	495
BEHA029H7		1	36 3/8	924	30 3/8	772	4	102	7	178	19 7/8	505	36 1/8	918	30 3/8	772	19 1/2	495
BEHA030H7	C	2	43 7/8	1114	32 7/8	835	10 1/8	257	8	203	30 3/8	772	43 7/8	1114	32 7/8	835	30 3/16	767
BEHA035H7		2	43 7/8	1114	32 7/8	835	10 1/8	257	8	203	30 3/8	772	43 7/8	1114	32 7/8	835	30 3/16	767
BEHA040H7		2	43 7/8	1114	32 7/8	835	10 1/8	257	8	203	30 3/8	772	43 7/8	1114	32 7/8	835	30 3/16	767
BEHA050H7		2	43 7/8	1114	32 7/8	835	10 1/8	257	8	203	30 3/8	772	43 7/8	1114	32 7/8	835	30 3/16	767
BEHA006E6	A	1	24 7/8	632	30 3/8	772	4	102	6	152	16 7/8	429	24 5/8	625	30 3/8	772	16 1/2	419
BEHA008E6		1	24 7/8	632	30 3/8	772	4	102	6	152	16 7/8	429	24 5/8	625	30 3/8	772	16 1/2	419
BEHA009E6		1	24 7/8	632	30 3/8	772	4	102	6	152	16 7/8	429	24 5/8	625	30 3/8	772	16 1/2	419
BEHA010E6		1	24 7/8	632	30 3/8	772	4	102	6	152	16 7/8	429	24 5/8	625	30 3/8	772	16 1/2	419
BEHA015E6	B	1	36 3/8	924	30 3/8	772	4	102	7	178	19 7/8	505	36 1/8	918	30 3/8	772	19 1/2	495
BEHA020E6		1	36 3/8	924	30 3/8	772	4	102	7	178	19 7/8	505	36 1/8	918	30 3/8	772	19 1/2	495
BEHA025E6		1	36 3/8	924	30 3/8	772	4	102	7	178	19 7/8	505	36 1/8	918	30 3/8	772	19 1/2	495
BEHA029E6		1	36 3/8	924	30 3/8	772	4	102	7	178	19 7/8	505	36 1/8	918	30 3/8	772	19 1/2	495
BEHA030E6	C	2	43 7/8	1114	32 7/8	835	10 1/8	257	8	203	30 3/8	772	43 7/8	1114	32 7/8	835	30 3/16	767
BEHA035E6		2	43 7/8	1114	32 7/8	835	10 1/8	257	8	203	30 3/8	772	43 7/8	1114	32 7/8	835	30 3/16	767
BEHA040E6		2	43 7/8	1114	32 7/8	835	10 1/8	257	8	203	30 3/8	772	43 7/8	1114	32 7/8	835	30 3/16	767
BEHA050E6		2	43 7/8	1114	32 7/8	835	10 1/8	257	8	203	30 3/8	772	43 7/8	1114	32 7/8	835	30 3/16	767
BEHA006L6	A	1	24 7/8	632	30 3/8	772	4	102	6	152	16 7/8	429	24 5/8	625	30 3/8	772	16 1/2	419
BEHA008L6		1	24 7/8	632	30 3/8	772	4	102	6	152	16 7/8	429	24 5/8	625	30 3/8	772	16 1/2	419
BEHA010L6		1	24 7/8	632	30 3/8	772	4	102	6	152	16 7/8	429	24 5/8	625	30 3/8	772	16 1/2	419
BEHA015L6		1	24 7/8	632	30 3/8	772	4	102	6	152	16 7/8	429	24 5/8	625	30 3/8	772	16 1/2	419
BEHA020L6	B	1	24 7/8	632	30 3/8	772	4	102	6	152	16 7/8	429	24 5/8	625	30 3/8	772	16 1/2	419
BEHA025L6		1	36 3/8	924	30 3/8	772	4	102	7	178	19 7/8	505	36 1/8	918	30 3/8	772	19 1/2	495
BEHA030L6		1	36 3/8	924	30 3/8	772	4	102	7	178	19 7/8	505	36 1/8	918	30 3/8	772	19 1/2	495

DRAWING #	PAGE #
1	23
2	24

DIMENSIONAL DATA
TECUMSEH MODELS

MODEL BEH	CHASSIS	DRAWING # (see table below)	OUTDOOR MODELS										INDOOR MODELS					
			WIDTH		DEPTH						HEIGHT		WIDTH		DEPTH		HEIGHT	
					Base		With Hood, add:		Wind Guard, add:									
			Inches	mm	Inches	mm	Inches	mm	Inches	mm	Inches	mm	Inches	mm	Inches	mm	Inches	mm
BEHT015H7	B	1	36 3/8	924	30 3/8	772	4	102	7	178	19 7/8	505	36 1/8	918	30 3/8	772	19 1/2	495
BEHT020H7		1	36 3/8	924	30 3/8	772	4	102	7	178	19 7/8	505	36 1/8	918	30 3/8	772	19 1/2	495
BEHT025H7		1	36 3/8	924	30 3/8	772	4	102	7	178	19 7/8	505	36 1/8	918	30 3/8	772	19 1/2	495
BEHT029H7		1	36 3/8	924	30 3/8	772	4	102	7	178	19 7/8	505	36 1/8	918	30 3/8	772	19 1/2	495
BEHT030H7	C	2	43 7/8	1114	32 7/8	835	10 1/8	257	8	203	30 3/8	772	43 7/8	1114	32 7/8	835	30 3/16	767
BEHT035H7		2	43 7/8	1114	32 7/8	835	10 1/8	257	8	203	30 3/8	772	43 7/8	1114	32 7/8	835	30 3/16	767
BEHT040H7		2	43 7/8	1114	32 7/8	835	10 1/8	257	8	203	30 3/8	772	43 7/8	1114	32 7/8	835	30 3/16	767
BEHT045H7		2	43 7/8	1114	32 7/8	835	10 1/8	257	8	203	30 3/8	772	43 7/8	1114	32 7/8	835	30 3/16	767
BEHT050H7	2	43 7/8	1114	32 7/8	835	10 1/8	257	8	203	30 3/8	772	43 7/8	1114	32 7/8	835	30 3/16	767	
BEHT006M6	A	1	24 7/8	632	30 3/8	772	4	102	6	152	16 7/8	429	24 5/8	625	30 3/8	772	16 1/2	419
BEHT008M6		1	24 7/8	632	30 3/8	772	4	102	6	152	16 7/8	429	24 5/8	625	30 3/8	772	16 1/2	419
BEHT010M6		1	24 7/8	632	30 3/8	772	4	102	6	152	16 7/8	429	24 5/8	625	30 3/8	772	16 1/2	419
BEHT015M6	B	1	36 3/8	924	30 3/8	772	4	102	7	178	19 7/8	505	36 1/8	918	30 3/8	772	19 1/2	495
BEHT020M6		1	36 3/8	924	30 3/8	772	4	102	7	178	19 7/8	505	36 1/8	918	30 3/8	772	19 1/2	495
BEHT025M6		1	36 3/8	924	30 3/8	772	4	102	7	178	19 7/8	505	36 1/8	918	30 3/8	772	19 1/2	495
BEHT030M6	C	2	43 7/8	1114	32 7/8	835	10 1/8	257	8	203	30 3/8	772	43 7/8	1114	32 7/8	835	30 3/16	767
BEHT035M6		2	43 7/8	1114	32 7/8	835	10 1/8	257	8	203	30 3/8	772	43 7/8	1114	32 7/8	835	30 3/16	767
BEHT036M6		2	43 7/8	1114	32 7/8	835	10 1/8	257	8	203	30 3/8	772	43 7/8	1114	32 7/8	835	30 3/16	767
BEHT040M6		2	43 7/8	1114	32 7/8	835	10 1/8	257	8	203	30 3/8	772	43 7/8	1114	32 7/8	835	30 3/16	767
BEHT050M6	2	43 7/8	1114	32 7/8	835	10 1/8	257	8	203	30 3/8	772	43 7/8	1114	32 7/8	835	30 3/16	767	
BEHT060M6	D	2	52 1/8	1324	35 7/8	911	10 1/8	257	6	152	41 7/8	1064	52 1/8	1324	35 7/8	911	41 11/16	1059
BEHT008L6	A	1	24 7/8	632	30 3/8	772	4	102	6	152	16 7/8	429	24 5/8	625	30 3/8	772	16 1/2	419
BEHT010L6		1	24 7/8	632	30 3/8	772	4	102	6	152	16 7/8	429	24 5/8	625	30 3/8	772	16 1/2	419
BEHT011L6		1	24 7/8	632	30 3/8	772	4	102	6	152	16 7/8	429	24 5/8	625	30 3/8	772	16 1/2	419
BEHT020L6		1	24 7/8	632	30 3/8	772	4	102	6	152	16 7/8	429	24 5/8	625	30 3/8	772	16 1/2	419
BEHT025L6	B	1	36 3/8	924	30 3/8	772	4	102	7	178	19 7/8	505	36 1/8	918	30 3/8	772	19 1/2	495
BEHT030L6		1	36 3/8	924	30 3/8	772	4	102	7	178	19 7/8	505	36 1/8	918	30 3/8	772	19 1/2	495

DRAWING #	PAGE #
1	23
2	24

MODEL BEH	UNIT CONNECTIONS				R404A		APPROX. SHIPPING WEIGHT			
	SUCTION (OD)		LIQUID (OD)		RECEIVER CAPACITY 90% FULL *		OUTDOOR MODELS		INDOOR MODELS	
	Inches	mm	Inches	mm	Lbs.	Kgs	Lbs.	Kgs	Lbs.	Kgs
BEHA005H7	1/2	13	3/8	10	6	2.72	141	64	119	54
BEHA008H7	5/8	16	3/8	10	6	2.72	152	69	130	59
BEHA010H7	5/8	16	3/8	10	6	2.72	167	76	145	66
BEHA011H7	5/8	16	3/8	10	6	2.72	175	79	153	69
BEHA013H7	5/8	16	3/8	10	13	5.90	265	120	240	109
BEHA015H7	5/8	16	3/8	10	13	5.9	277	126	252	114
BEHA020H7	5/8	16	3/8	10	13	5.9	282	128	257	117
BEHA025H7	7/8	22	3/8	10	16	7.3	292	132	267	121
BEHA029H7	7/8	22	1/2	13	16	7.3	298	135	273	124
BEHA030H7	7/8	22	1/2	13	24	10.9	394	179	349	158
BEHA035H7	7/8	22	1/2	13	24	10.9	394	179	349	158
BEHA040H7	1 1/8	29	1/2	13	24	10.9	405	184	360	163
BEHA050H7	1 1/8	29	1/2	13	24	10.9	415	188	370	168
BEHA006E6	5/8	16	3/8	10	5.4	2.4	149	68	127	58
BEHA008E6	5/8	16	3/8	10	5.4	2.4	149	68	127	58
BEHA009E6	5/8	16	3/8	10	5.4	2.4	152	69	130	59
BEHA010E6	5/8	16	3/8	10	5.4	2.4	167	76	145	66
BEHA015E6	5/8	16	3/8	10	11.3	5.1	279	127	257	117
BEHA020E6	5/8	16	3/8	10	11.3	5.1	282	128	255	116
BEHA025E6	7/8	22	1/2	13	14.4	6.5	286	130	259	117
BEHA029E6	7/8	22	1/2	13	14.4	6.5	292	132	265	120
BEHA030E6	7/8	22	1/2	13	21.5	9.8	388	176	343	156
BEHA035E6	7/8	22	1/2	13	21.5	9.8	389	176	344	156
BEHA040E6	7/8	22	1/2	13	21.5	9.8	389	176	344	156
BEHA050E6	1 1/8	29	1/2	13	21.5	9.8	398	181	353	160
BEHA006L6	1/2	13	3/8	10	5.4	2.4	141	64	119	54
BEHA008L6	1/2	13	3/8	10	5.4	2.4	141	64	119	54
BEHA010L6	5/8	16	3/8	10	5.4	2.4	187	85	165	75
BEHA015L6	7/8	22	3/8	10	5.4	2.4	190	86	168	76
BEHA020L6	7/8	22	3/8	10	5.4	2.4	194	88	172	78
BEHA025L6	7/8	22	3/8	10	14.4	6.5	281	127	254	115
BEHA030L6	7/8	22	1/2	13	14.4	6.5	292	132	265	120

* NOTE ON ALTERNATE REFRIGERANTS:

* PUBLISHED RECEIVER CAPACITY IS BASED ON R404A ON MODELS USING "8" AS REFRIGERANT CODE.
FOR ALERNATE REFRIGERANTS, MULTIPLY R404A VALUE BY THE APPROPRIATE VALUE BELOW:

R407C	R448A	R507	R22
1.10	1.05	1.00	1.15

- For R449A, use R448A data.

**ANNUAL WALK-IN ENERGY
FACTOR (AWEF) RATINGS
FOR HIGH/MEDIUM TEMP. APPLICATIONS**

BASE UNIT MODEL BEH	AWEF	
	OUTDOOR MODELS	INDOOR MODELS
BEHA005H7	6.05	5.07
BEHA008H7	6.18	5.10
BEHA010H7	6.82	5.65
BEHA011H7	6.67	5.40
BEHA013H7	6.47	5.38
BEHA015H7	6.94	5.59
BEHA020H7	7.24	5.80
BEHA025H7	7.45	5.98
BEHA030H7	7.81	6.27
BEHA035H7	7.91	6.46
BEHA040H7	7.36	6.03
BEHA050H7	7.15	5.84

BASE UNIT MODEL BEH	AWEF	
	OUTDOOR MODELS	INDOOR MODELS
BEHA006E6	6.31	4.90
BEHA008E6	6.17	4.77
BEHA009E6	5.65	4.48
BEHA010E6	6.90	5.17
BEHA015E6	7.67	5.71
BEHA020E6	7.79	5.72
BEHA025E6	7.82	5.83
BEHA030E6	8.24	6.25
BEHA035E6	8.17	6.15
BEHA040E6	7.92	5.81
BEHA050E6	7.71	5.70

MODEL BEH	UNIT CONNECTIONS				R404A RECEIVER CAPACITY 90% FULL *		APPROX. SHIPPING WEIGHT			
	SUCTION (OD)		LIQUID (OD)		Lbs.	Kgs	OUTDOOR MODELS		INDOOR MODELS	
	Inches	mm	Inches	mm			Lbs.	Kgs	Lbs.	Kgs
BEHT015H7	5/8	16	3/8	10	12	5.4	280	127	255	116
BEHT020H7	5/8	16	3/8	10	12	5.4	280	127	255	116
BEHT025H7	7/8	22	3/8	10	15	6.9	300	136	275	125
BEHT029H7	7/8	22	1/2	13	15	6.9	305	138	280	127
BEHT030H7	7/8	22	1/2	13	23	10.3	400	181	355	161
BEHT035H7	7/8	22	1/2	13	23	10.3	405	184	360	163
BEHT040H7	1 1/8	29	1/2	13	23	10.3	415	188	370	168
BEHT045H7	1 1/8	29	1/2	13	23	10.4	420	191	385	175
BEHT050H7	1 1/8	29	1/2	13	23	10.3	430	195	390	177
BEHT006M6	5/8	16	3/8	10	5.4	2.4	150	68	130	59
BEHT008M6	5/8	16	3/8	10	5.4	2.4	150	68	130	59
BEHT010M6	5/8	16	3/8	10	5.4	2.4	155	70	135	61
BEHT015M6	5/8	16	3/8	10	14.4	6.5	170	77	145	66
BEHT020M6	5/8	16	3/8	10	14.4	6.5	285	129	260	118
BEHT025M6	7/8	22	1/2	13	14.4	6.5	295	134	270	122
BEHT030M6	7/8	22	1/2	13	21.5	9.8	390	177	345	156
BEHT035M6	7/8	22	1/2	13	21.5	9.8	390	177	345	156
BEHT036M6	7/8	22	1/2	13	21.5	9.8	395	179	350	159
BEHT040M6	7/8	22	1/2	13	21.5	9.8	400	181	355	161
BEHT050M6	1 1/8	29	1/2	13	21.5	9.8	405	184	360	163
BEHT060M6	1 1/8	29	1/2	13	31.0	14.1	410	186	370	168
BEHT008L6	1/2	13	3/8	10	5.4	2.4	145	66	125	57
BEHT010L6	5/8	16	3/8	10	5.4	2.4	185	84	165	75
BEHT011L6	7/8	22	3/8	10	5.4	2.4	190	86	170	77
BEHT020L6	7/8	22	3/8	10	5.4	2.4	195	88	175	79
BEHT025L6	7/8	22	3/8	10	14.4	6.5	290	132	265	120
BEHT030L6	7/8	22	1/2	13	14.4	6.5	300	136	275	125

*** NOTE ON ALTERNATE REFRIGERANTS:**

* PUBLISHED RECEIVER CAPACITY IS BASED ON **R404A** ON MODELS USING "8" AS REFRIGERANT CODE.
FOR ALTERNATE REFRIGERANTS, MULTIPLY **R404A** VALUE BY THE APPROPRIATE VALUE BELOW:

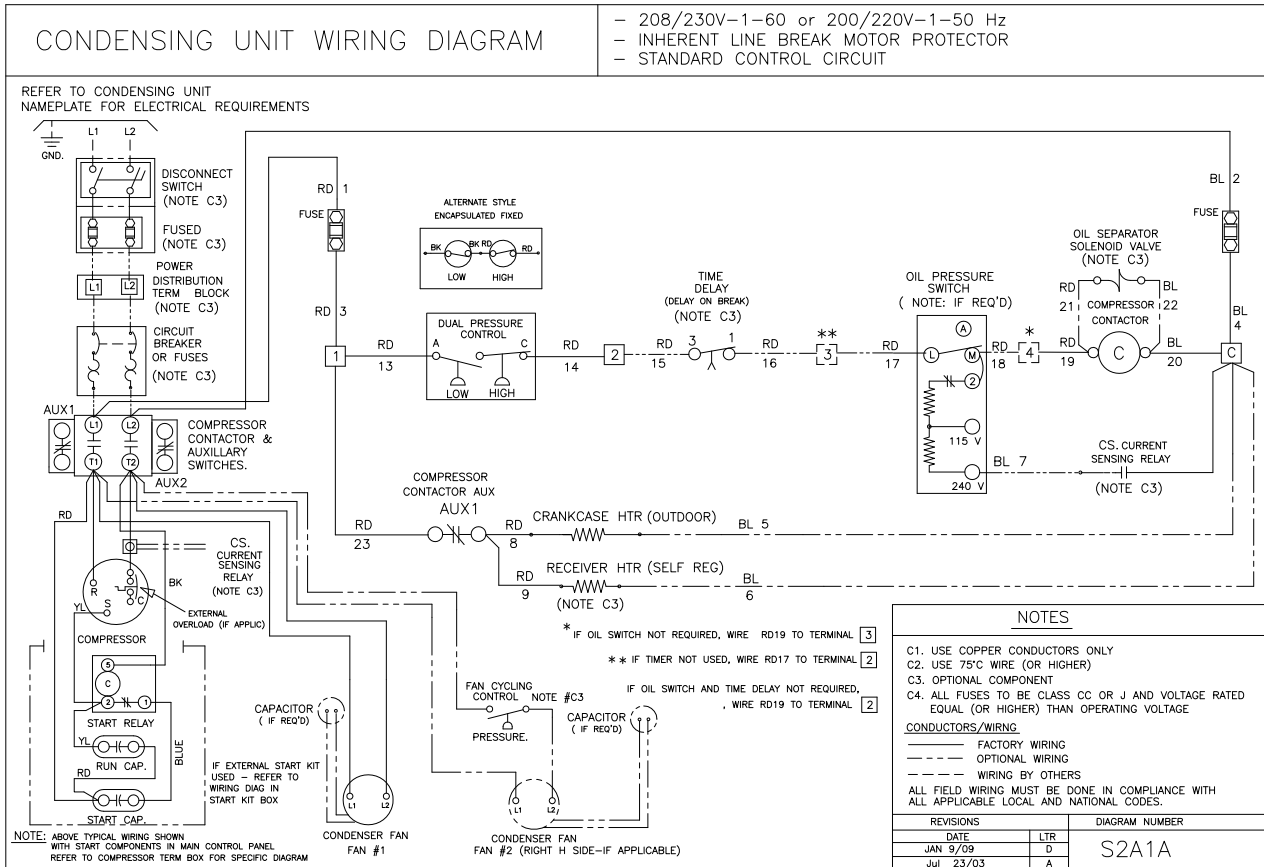
R407C	R507	R22
1.10	1.00	1.15

**ANNUAL WALK-IN ENERGY
FACTOR (AWEF) RATINGS
FOR HIGH/MEDIUM TEMP. APPLICATIONS**

BASE UNIT MODEL BEH	AWEF	
	OUTDOOR MODELS	INDOOR MODELS
BEHT015H7	6.20	5.23
BEHT020H7	5.94	5.08
BEHT025H7	6.33	5.48
BEHT029H7	6.83	5.49
BEHT030H7	6.80	5.62
BEHT035H7	6.65	5.45
BEHT040H7	6.33	5.36
BEHT045H7	6.67	5.43
BEHT050H7	5.87	5.27

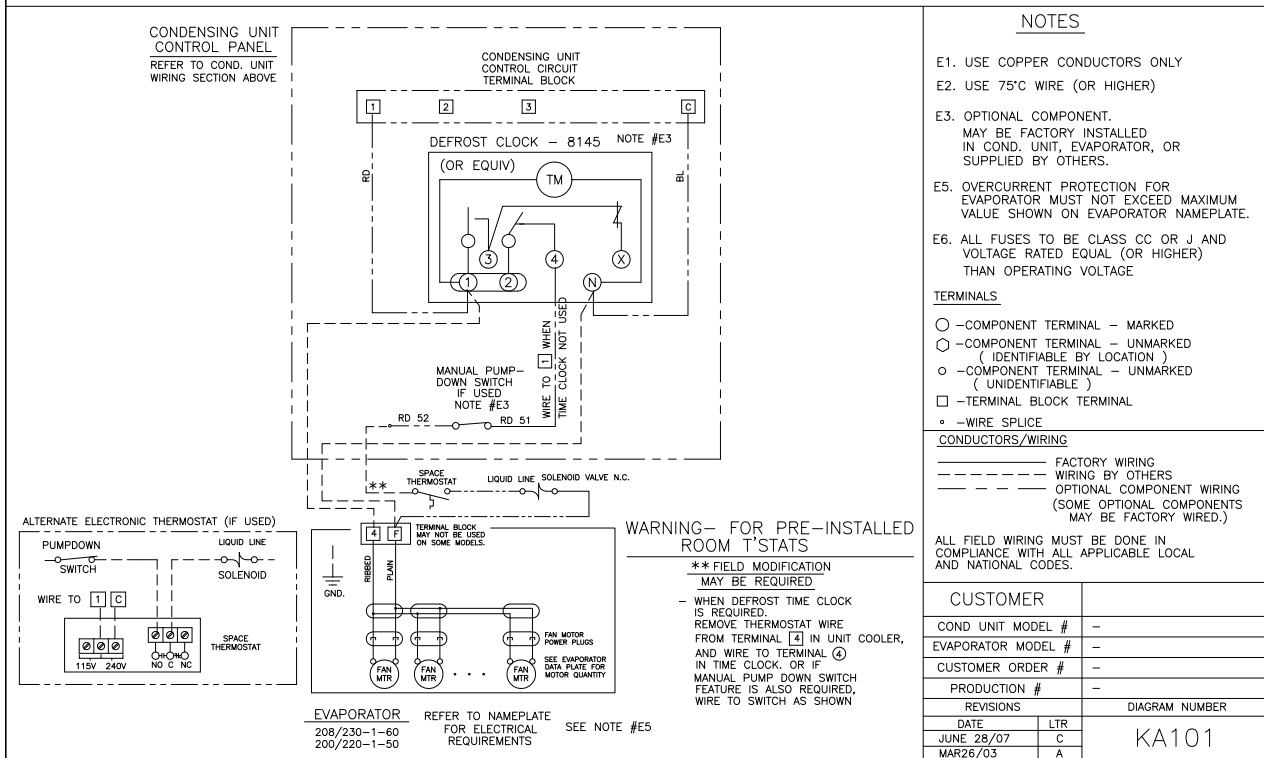
BASE UNIT MODEL BEH	AWEF	
	OUTDOOR MODELS	INDOOR MODELS
BEHT006M6	5.97	4.52
BEHT008M6	5.95	4.35
BEHT010M6	5.77	4.62
BEHT015M6	7.15	5.63
BEHT020M6	7.15	5.63
BEHT025M6	7.56	5.31
BEHT030M6	7.14	5.62
BEHT035M6	7.02	5.56
BEHT036M6	7.63	5.65
BEHT040M6	7.23	5.47
BEHT050M6	6.57	5.08
BEHT060M6	6.51	5.09

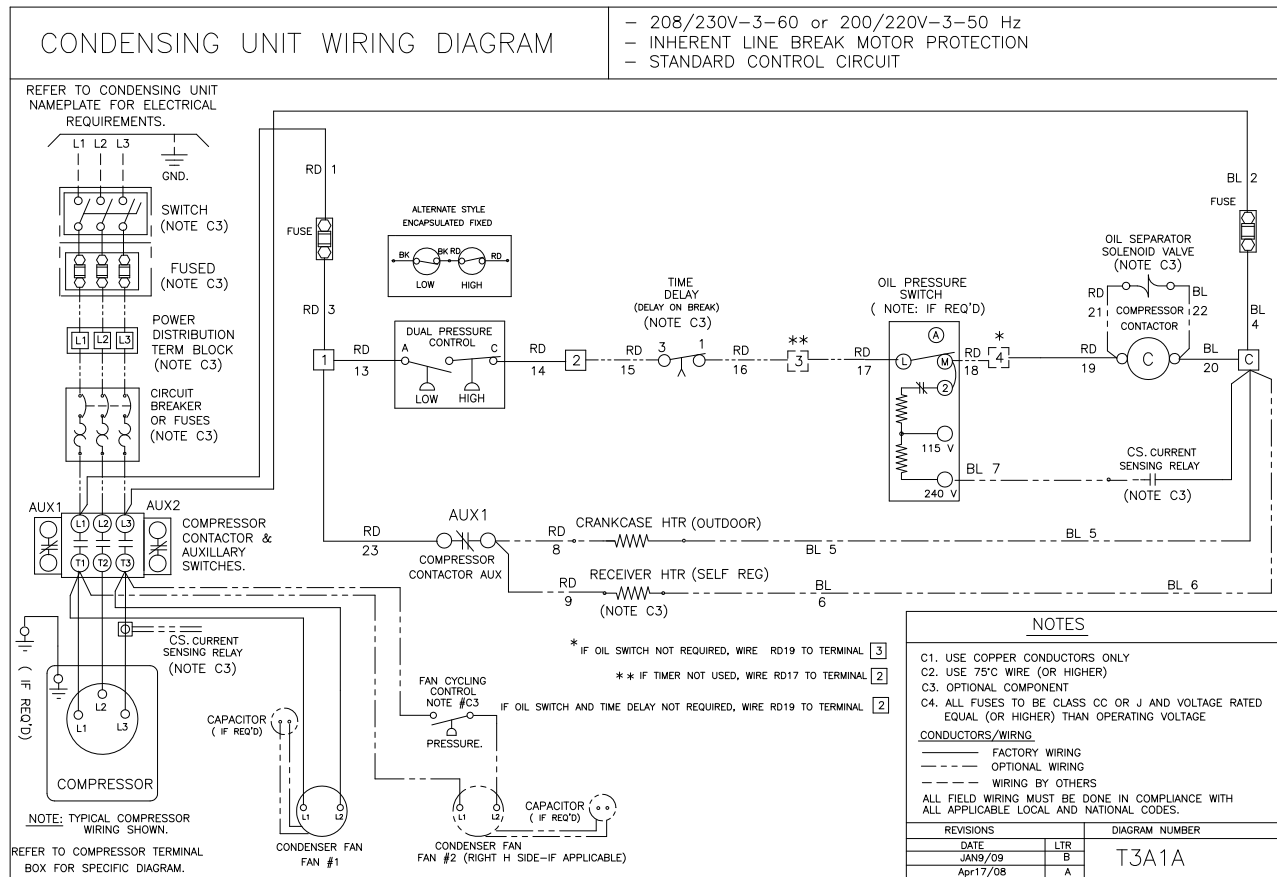
208-230/1/60



TYPICAL EVAPORATOR WIRING: FOR SINGLE AIR DEFROST EVAPORATOR- SINGLE POINT

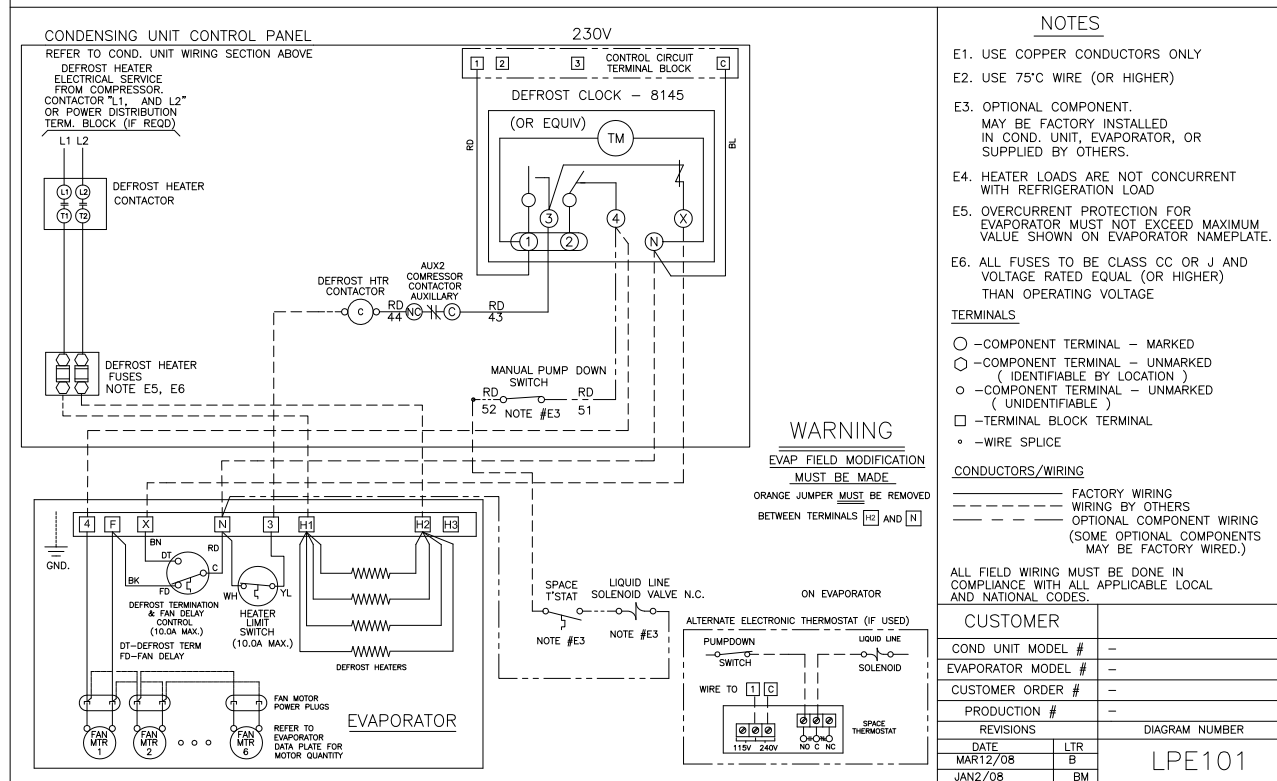
FOR USE WITH: 208/230-1-60, 200/220-1-50 OR 208/230-3-60, 200/220-3-50 CONDENSING UNITS WITH OR WITHOUT DEFROST TIME CLOCK AND FOR TOTAL EVAP FAN AMPS NOT EXCEEDING 12A





TYPICAL EVAPORATOR WIRING: FOR SINGLE LOW PROFILE ELECT 1 PHASE DEFROST EVAPORATOR—SINGLE POINT

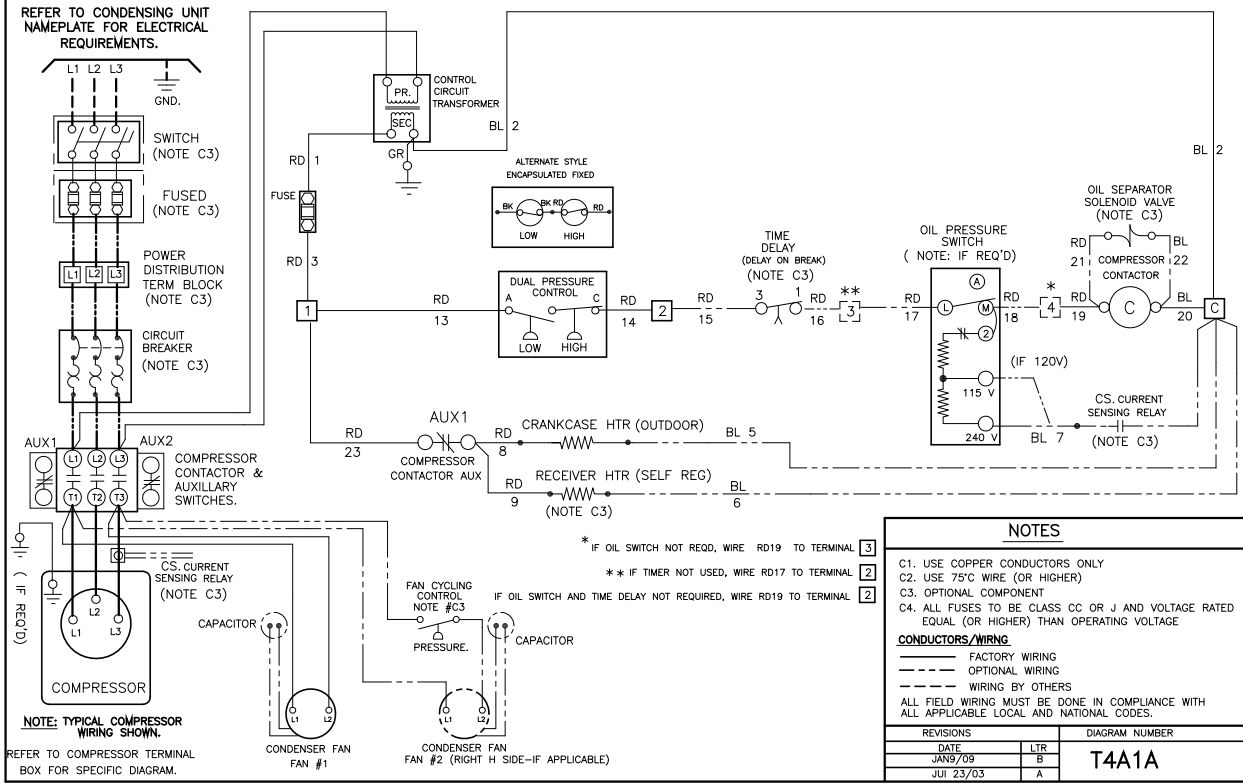
FOR USE WITH: 230V SINGLE OR THREE PHASE CONDENSING UNITS WITH DEFROST TIME CLOCK, AND DEFROST HEATER CONTACTOR



460/3/60, 575/3/60

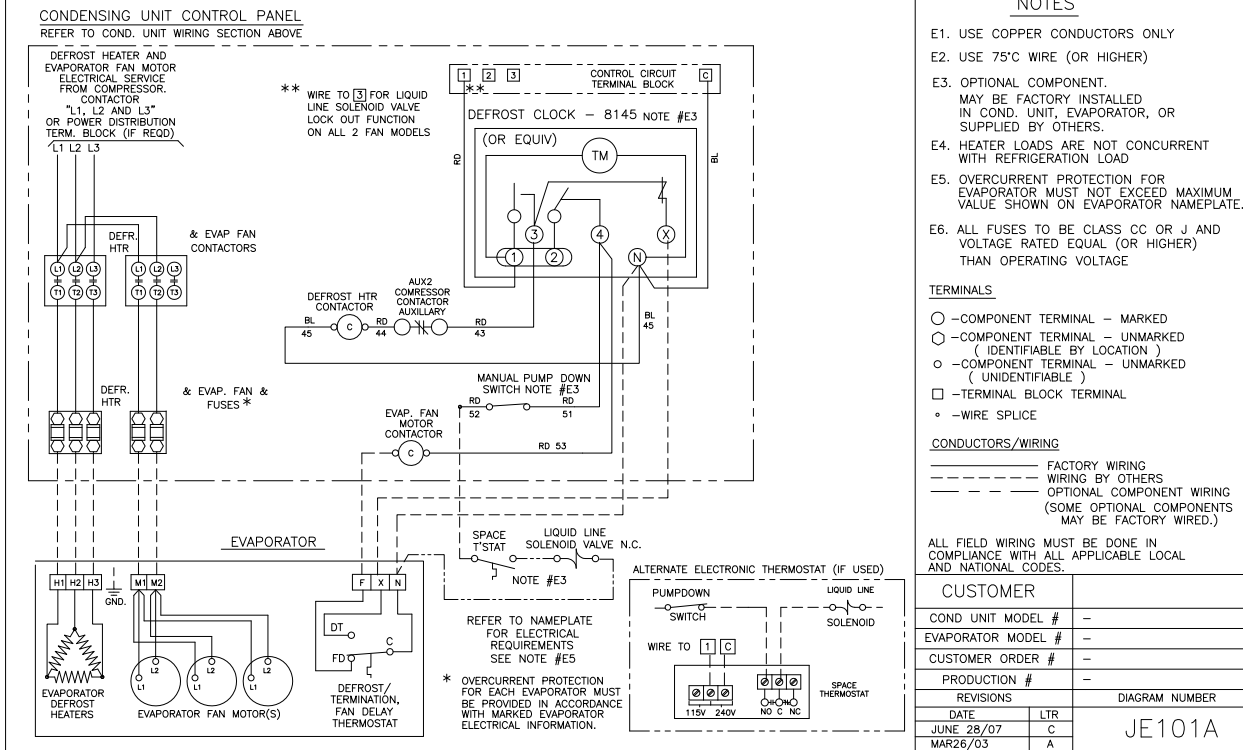
CONDENSING UNIT WIRING DIAGRAM

- 460V-3-60 , 575V-3-60 or 380/400V-3-50 Hz
- INHERENT LINE BREAK MOTOR PROTECTION
- STANDARD CONTROL CIRCUIT



TYPICAL EVAPORATOR WIRING: FOR SINGLE MED PROFILE ELECT DEFROST EVAPORATOR- SINGLE POINT

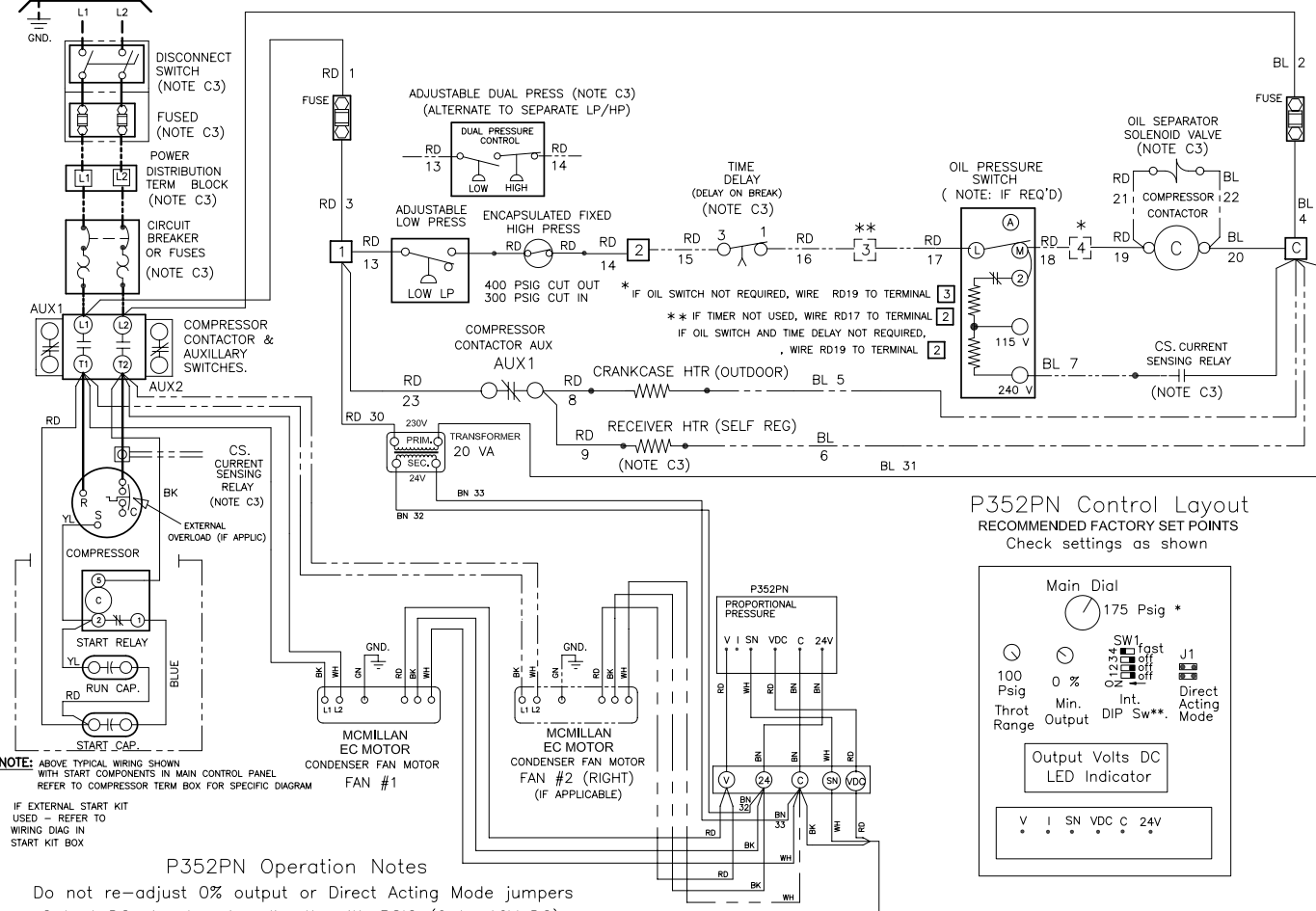
FOR USE WITH: THREE PHASE CONDENSING UNITS WITH DEFROST TIME CLOCK, & EVAP FAN AND DEFR. HTR. CONTACTORS.



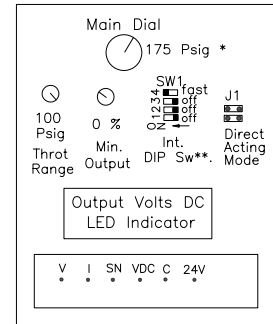
CONDENSING UNIT WIRING DIAGRAM

- 208/230V-1-60 or 200/220V-1-50 Hz
- INHERENT LINE BREAK MOTOR PROTECTOR
- WITH McMill. EC COND FAN MOTOR & P352 JOHNSON CONTROLLER

REFER TO CONDENSING UNIT NAMEPLATE FOR ELECTRICAL REQUIREMENTS



P352PN Control Layout
RECOMMENDED FACTORY SET POINTS
Check settings as shown



P352PN Operation Notes

Do not re-adjust 0% output or Direct Acting Mode jumpers
Output DC signal varies directly with PSIG (0 to 10V DC)

* Main Dial -Sets Fan for lowest speed PSIG set point.
Highest speed will be lowest set point plus throttle range
e.g. 175+100= 275 psig (approx 111F cond temp R404A)
Providing the ambient temp. is low, fan will maintain the desired set point
e.g. 175 psig set point (approx. 80F Cond Temp R404A)

**DIP Sw. set for Proportional / Integration Mode Fast Mode

Refer to P352 instruction sheet for further details.

NOTES

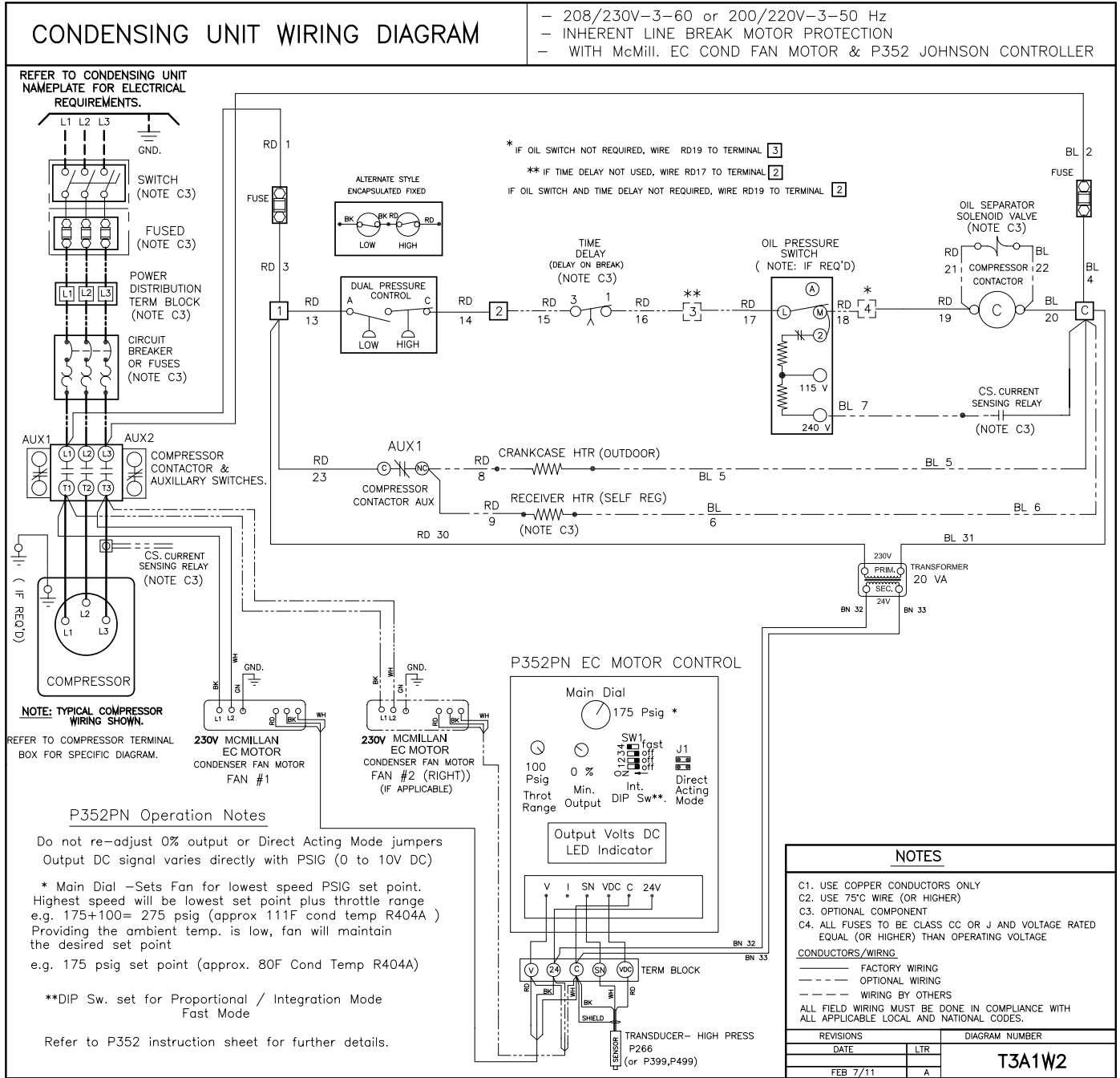
- C1. USE COPPER CONDUCTORS ONLY
- C2. USE 75°C WIRE (OR HIGHER)
- C3. OPTIONAL COMPONENT
- C4. ALL FUSES TO BE CLASS CC OR J AND VOLTAGE RATED EQUAL (OR HIGHER) THAN OPERATING VOLTAGE

CONDUCTORS/WIRING

- FACTORY WIRING
- - - - - OPTIONAL WIRING
- - - - - WIRING BY OTHERS

ALL FIELD WIRING MUST BE DONE IN COMPLIANCE WITH ALL APPLICABLE LOCAL AND NATIONAL CODES.

REVISIONS		DIAGRAM NUMBER
DATE	LTR	S2A1W2
FEB10/11	A	



P352PN Operation Notes

Do not re-adjust 0% output or Direct Acting Mode jumpers
 Output DC signal varies directly with PSIG (0 to 10V DC)

* Main Dial -Sets Fan for lowest speed PSIG set point.
 Highest speed will be lowest set point plus throttle range
 e.g. 175+100= 275 psig (approx 111F cond temp R404A)
 Providing the ambient temp. is low, fan will maintain the desired set point
 e.g. 175 psig set point (approx. 80F Cond Temp R404A)

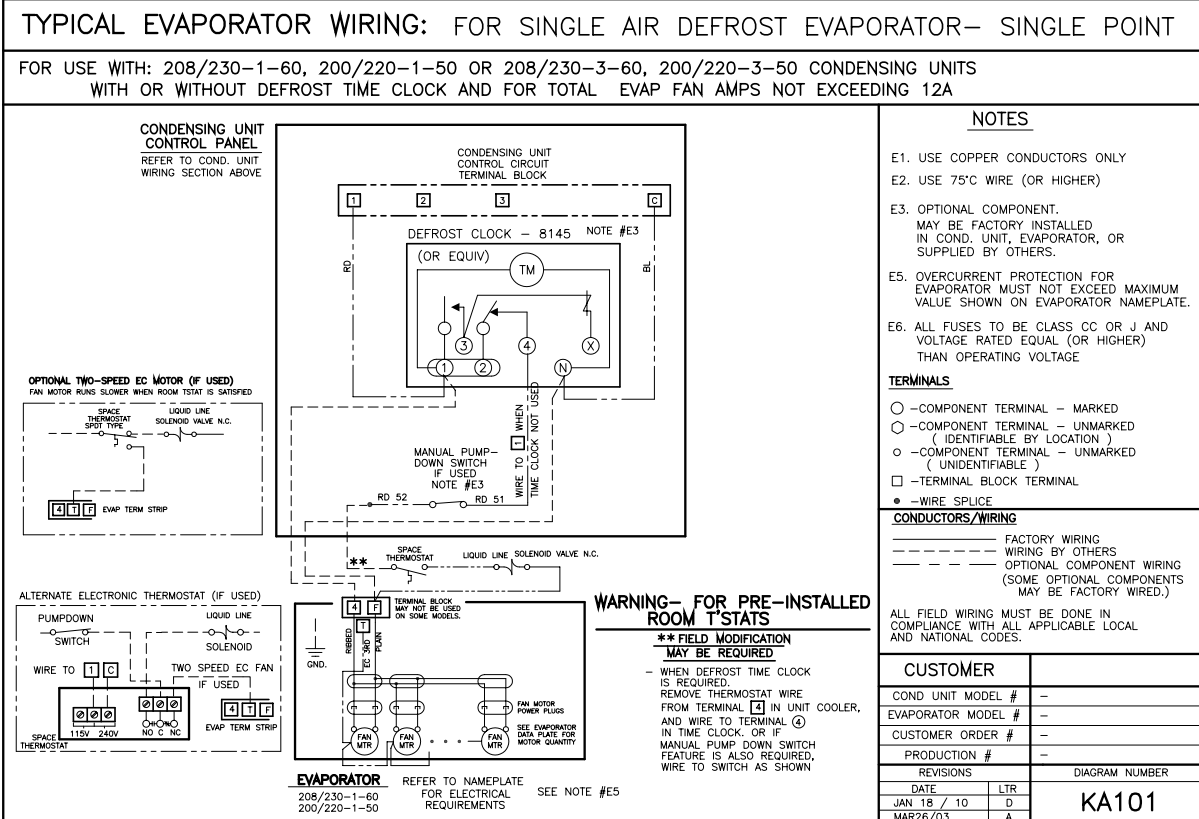
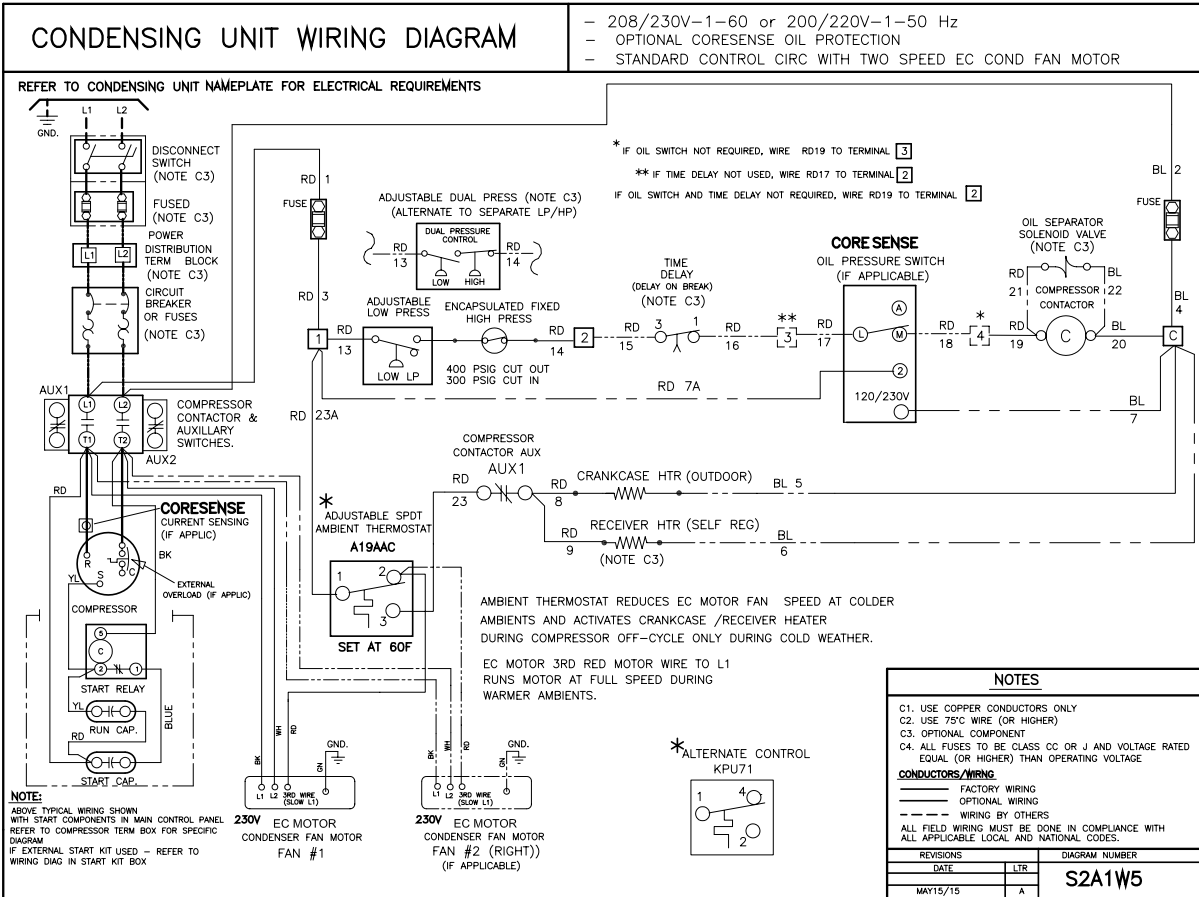
**DIP Sw. set for Proportional / Integration Mode
 Fast Mode

Refer to P352 instruction sheet for further details.

TYPICAL SYSTEM WIRING DIAGRAM

208-230/1/60 Unit with SMARTSPEED™

with 230V Air Defrost Evaporator



System	
Model Number	Date of Start-Up
Serial Number	Service Contractor
Refrigerant	Phone
Electrical Supply	E-Mail

 <p>PRODUCT SUPPORT</p>	<p><i>web: b-rp.ca/beh</i> <i>email: smcu@b-rp.ca</i> <i>call: 1-844-893-3222 x521</i></p>
 <p>TROUBLESHOOTING</p>	<p><i>email: troubleshooting@b-rp.ca</i> <i>call: 1-844-893-3222 x529</i></p>
 <p>SERVICE PARTS</p>	<p><i>web: b-rp.ca/parts</i> <i>email: parts@b-rp.ca</i> <i>call: 1-844-893-3222 x501</i></p>
 <p>WARRANTY</p>	<p><i>web: b-rp.ca/warranty</i> <i>email: warranty@b-rp.ca</i> <i>call: 1-844-893-3222 x501</i></p>
 <p>ORDERS</p>	<p><i>email: orders@b-rp.ca</i> <i>call: 1-844-893-3222 x501</i></p>
 <p>SHIPPING</p>	<p><i>email: shipping@b-rp.ca</i> <i>call: 1-844-893-3222 x503</i></p>



General Sales, Parts & Service, Manufacturing & Engineering
135 Little Nine Drive, Morehead City, NC 28557
252-240-2829 • 1-800-24-BALLY • FAX: 252-240-0384
e-mail: ballysales@ballyrefboxes.com • www.ballyrefboxes.com



DISTRIBUTED BY: