

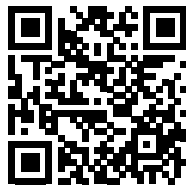
## PRICE LIST

**EFFECTIVE DATE:  
01 AUGUST 2018**

*SUPERCEDES:  
BLP-2018*

Bulletin BLP-2018-1-4

Part # 1090703-4



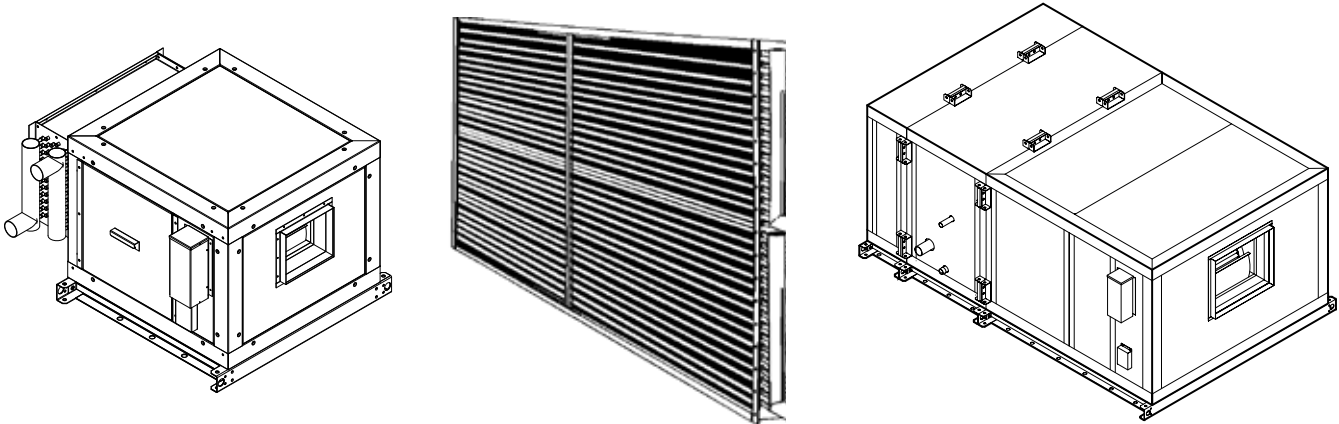
Prices are F.O.B. shipping point. Freight is allowed via lowest common carrier to nearest freight station in Canada and U.S.A. (except to Alaska or Hawaii) on shipments of \$4800 NET or more.

Shipments of less than \$4800 NET are F.O.B. shipping point and are not freight allowed.

Prices, weights and specifications subject to change without notice.

Terms: Net 30 days.

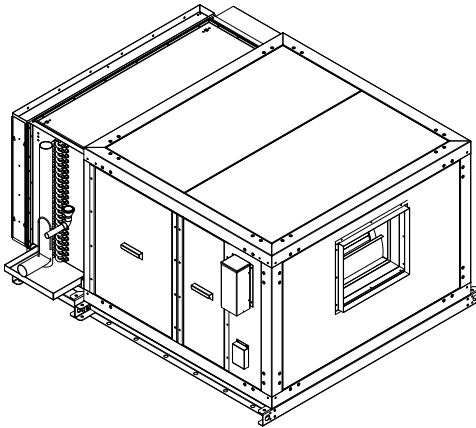
Subject to Terms and Conditions of Sale / General Warranty / Claims Procedures



### CONTENTS

BAP Product Cooler .....	2 - 5
BAB Air Cooled Condenser .....	4 - 5
BAC, BAF, BAH Air Handlers .....	6 - 18
BAC, BAF, BAH Air Handler Coils.....	19 - 20
Options and Accessories for BA* Units.....	21 - 22
Free Standing Coils .....	23 - 27
Product Support Resources.....	BACK

## BAP PRODUCT COOLERS



### NOMENCLATURE

**B AP 1 28 F - A - N - T4 A - 0000**

**B = Bally**

**Unit Style**

AP = Air Handler,  
Product Cooler

**Model Number**

1 = Number Of Fans  
28 = Model Number

**Blower Type**

F = Forward Curved  
A = Air Foil

**Defrost Type**

A = Air  
E = Electric  
G = Hot Gas

**Manufacturing Options**

**Series / Generation**  
A = First Generation

**Unit Electrical Designation**

S1 = 115/1/60  
S2 = 208/230/1/60  
T3 = 208-230/3/60  
T4 = 460/3/60  
T5 = 575/3/60

**Cabinet Type**

I = Insulated  
N = Non-Insulated



web: [www.b-rp.ca/bap](http://www.b-rp.ca/bap)  
email: [ahu@b-rp.ca](mailto:ahu@b-rp.ca)  
call: 1-844-893-3222 x527

### INDOOR BAP FAN SECTION

TYPE	PRODUCT NUMBER	LIST PRICE \$	
		NO INSULATION	WITH INSULATION
HIGH TEMP.	BAP108F-A	7841	8432
	BAP111F-A	10110	10811
	BAP114F-A	10699	11478
	BAP117F-A	11284	12950
	BAP122F-A	13971	15196
	BAP128F-A	20814	22245
	BAP137F-A	27041	29269
	BAP141F-A	32071	34559
	BAP150F-A	36865	39377
BAP164F-A	48434	51007	
ELECTRIC DEFROST	BAP108F-E	16281	16872
	BAP111F-E	18548	19249
	BAP114F-E	19361	20141
	BAP117F-E	19852	21517
	BAP122F-E	22746	23971
	BAP128F-E	29957	31388
	BAP137F-E	35657	37885
	BAP141F-E	43616	46104
	BAP150F-E	49915	52427
BAP164F-E	59049	61622	

See separate price sheet for matching cooling coil prices.

#### PRICE NOTES:

- Fan Section includes blower and motor slide base.
- Installations with high humidity may require an OPTIONAL fan head drain pan - See OPTIONS for LIST Prices
- Removable coil drain pan extends under bends and coil connection.
- On high temperature unit, coil drain pan is insulated.
- Electric or hot gas defrost is recommended when used for entering air conditions below 38°F.
- Electric defrost price includes coil heater, drain pan heater, terminal box and heater transformers (where required). All mounted and wired. Fail-safe thermostat, fan delay thermostat, and defrost termination thermostat supplied mounted but not wired.
- Electric coil heaters may be 208/3/60, 460/3/60 and 575/3/60.
- Drain pan heaters are 230 volt, single phase.
- Hot gas defrost price includes distributor with side port connection. Drain pan hot gas circuit comes with complete drain pan assembly hot dipped galvanized.
- The following are not included: - timer, room thermostat, control circuit transformer, pressure switch and contactors.

### INDOOR BAP FAN SECTION

TYPE	PRODUCT NUMBER	LIST PRICE \$	
		NO INSULATION	WITH INSULATION
HOT GAS DEFROST	BAP108F-G	9681	10272
	BAP111F-G	13066	13767
	BAP114F-G	14520	15300
	BAP117F-G	15323	16989
	BAP122F-G	18250	19476
	BAP128F-G	26027	27457
	BAP137F-G	31148	33376
	BAP141F-G	37800	40288
	BAP150F-G	43616	46128
BAP164F-G	52400	54973	

### BAP OPTIONS

TYPE	PRODUCT NUMBER	FAN SECTION DRAIN PAN
ALL	BAP103F	387
	BAP104F	435
	BAP106F	490
	BAP108F	511
	BAP111F	511
	BAP114F	554
	BAP117F	623
	BAP122F	674
	BAP128F	796
	BAP137F	Included
	BAP141F	Included
	BAP150F	Included
	BAP164F	Included
	BAP182F	Included

## BAP PRODUCT COOLERS

### BAP REFRIGERATION COIL

MODEL	COIL SIZES (ft <sup>2</sup> )	FPI	ROWS DEEP				
			4	5	6	8	10
			LIST PRICE \$				
BAP108	34 1/2" x 44" (10.5 ft <sup>2</sup> )	4	4205	5268	5979	7026	8781
		6	4292	5375	6107	7193	8994
		8	4395	5507	6264	7399	9252
BAP111	34 1/2" x 59" (14.1 ft <sup>2</sup> )	4	5017	6189	7077	8679	10850
		6	5125	6328	7249	8450	10564
		8	5268	6507	7460	8729	10912
BAP114	34 1/2" x 74" (17.1 ft <sup>2</sup> )	4	6003	7742	9174	10210	12765
		6	6147	7922	8955	10497	13121
		8	6322	8141	9218	10867	13555
BAP117	34 1/2" x 89" (21.3 ft <sup>2</sup> )	4	6712	8662	9844	11569	14465
		6	6885	8877	10105	11914	14896
		8	7095	9143	10417	12336	15420
BAP122	40 1/2" x 93" (26.2 ft <sup>2</sup> )	4	8017	10026	11948	14031	17535
		6	8229	10287	12267	14452	18067
		8	8489	10612	12653	14969	18711
BAP128	40 1/2" x 116 1/4" (32.6 ft <sup>2</sup> )	4	9416	12271	14538	17075	21345
		6	9861	12602	14931	17603	22002
		8	10181	13006	15414	18248	22810
BAP137	52 1/2" x 116 1/4" (43.6 ft <sup>2</sup> )	4	10297	14983	18161	21327	26657
		6	11956	15424	18684	22028	27535
		8	12389	15963	19330	22891	28614
BAP141	61 1/2" x 116 1/4" (49.6 ft <sup>2</sup> )	4	13132	17042	20883	24542	30677
		6	13531	17541	21502	25346	31681
		8	14000	18151	22237	26328	32907
BAP150	72" x 116 1/4" (58.1 ft <sup>2</sup> )	4	14898	19422	24313	28275	35350
		6	15369	20008	24785	29215	36519
		8	15944	20728	25361	30362	37953
BAP164	90" x 116 1/4" (72.6 ft <sup>2</sup> )	4	17928	23510	29558	34679	43347
		6	18516	24243	30414	35849	44815
		8	19232	25141	31493	37286	46609

**PRICE NOTES:**

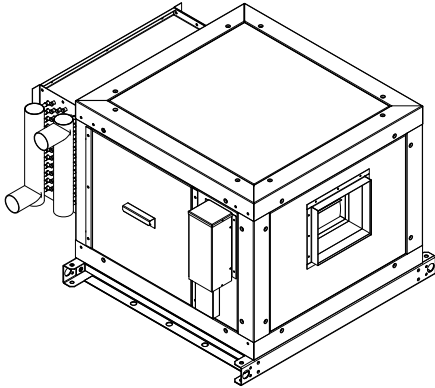
- Coils are fabricated with seamless copper tubes 5/8" with (1.5"x1.299") tube centres staggered in direction of air flow. Tubes are mechanically expanded into fully collared aluminum fins. No water is used in the expansion process.
- Fins have a V-waffle pattern for increased heat transfer and to provide additional stiffness to the fin. Fully drawn collars provide an efficient thermal bond with the tubes and allow accurate fin spacing.
- All coil models have standard 0.0055" thick aluminum fin material and optional fin thickness of 0.0075" or 0.0090". Copper fin material is also available at 0.0055" fin thickness.

Fin Thickness	Fin Spacing	Fin Material
0.0055"	8 to 14 FPI	Aluminum & Copper
0.0075"	6 to 12 FPI	Aluminum
0.0090"	4.5 to 8 FPI	Aluminum

- Coil casings are fabricated from 14 gauge galvanized sheet metal. Coil casing allows a maximum of 10 rows coil depth and is bolted directly to the fan section.
- Headers are made from type L, seamless copper tubing with brazed copper end discs.
- Direct expansion coils are supplied with suction and supply headers suitable for brazing to copper refrigerant line. Direct expansion coils are provided with 1/4" diameter equalizer line at the suction header.
- Refrigerant distributors are factory installed. Distributors may be supplied with auxiliary side connections for hot gas defrost or capacity control as an option.
- Coils are tested at 300 PSIG under water for several minutes to ensure leak free unit.
- Product Cooler Coils may be provided with header modification and multiple refrigeration circuits.

**Refer to Free Standing Coil Price Sheet for price adder on optional fin materials, header modification and multiple circuits. Consult factory for Copper fin and coil coating pricing.**

## BAB AIR COOLED CONDENSERS



web: [www.b-rp.ca/bab](http://www.b-rp.ca/bab)  
 email: [ahu@b-rp.ca](mailto:ahu@b-rp.ca)  
 call: 1-844-893-3222 x527

### NOMENCLATURE

**B AB 1 28 F - N - T4 A - 0000**

**B = Bally**

**Unit Style**

AB = Air Handler, Bolt-On Air Cooled Condenser/Heat Reclaim

**Model Number**

1 = Number Of Fans

28 = Model Number

**Blower Type**

F = Forward Curved

A = Air Foil

**Manufacturing Options**

**Series / Generation**

A = First Generation

**Unit Electrical Designation**

S1 = 115/1/60

S2 = 208/230/1/60

T3 = 208-230/3/60

T4 = 460/3/60

T5 = 575/3/60

**Cabinet Type**

I = Insulated

N = Non-Insulated

### INDOOR BAB FAN SECTION

PRODUCT NUMBER	LIST PRICE \$ NO INSULATION	LIST PRICE \$ WITH INSULATION
BAB103F	3611	4024
BAB104F	3937	4385
BAB106F	5678	6188
BAB108F	6149	6740
BAB111F	7676	8376
BAB114F	9572	10352
BAB117F	10589	12255
BAB122F	13047	14273
BAB128F	17582	19013
BAB137F	22126	24354
BAB141F	28166	30653
BAB150F	34043	36555
BAB164F	41636	44209
BAB182F	53346	56642

**PRICE NOTES:**

1. Basic unit consists of a blower section with forward curved fan, extended nylon lubrication lines, adjustable motor mount, galvanized sheet metal cabinet with removable access panels.
2. Coil, motor, V belt drive, fan section insulation are not included in fan section pricing.

## BAB AIR COOLED CONDENSERS

### BAB AIR COOLED CONDENSER COIL

MODEL	COIL SIZES (FACE AREA - ft <sup>2</sup> )	FPI	NO. CIRCUIT	ROWS DEEP				
				2	3	4	6	8
				LIST PRICE \$				
BAB103	18" x 30" (3.75 ft <sup>2</sup> )	8	1	1696	2067	2544	3305	3907
		10	1	1717	2100	2583	3370	3993
		12	1	1741	2138	2630	3437	4085
BAB104	21" x 36" (5.25 ft <sup>2</sup> )	8	1	2014	2402	3017	3985	4706
		10	1	2042	2445	3078	4074	4827
		12	1	2073	2497	3141	4173	4957
BAB106	24" x 45" (7.50 ft <sup>2</sup> )	8	1	2562	2910	3620	5014	5908
		10	1	2604	2914	3709	5142	6081
		12	1	2652	3042	3806	5282	6264
BAB108	33" x 44" (10.08 ft <sup>2</sup> )	8	1	3131	3461	4341	6157	7245
		10	1	3187	3550	4451	6327	7478
		12	1	3247	3643	4580	6514	7728
BAB111	33" x 58" (13.29 ft <sup>2</sup> )	8	1	3769	4129	5195	7475	8818
		10	1	3845	4241	5347	7706	9122
		12	1	3927	4365	5513	7953	9452
BAB114	33" x 74" (16.95 ft <sup>2</sup> )	8	1	4364	4904	6185	8997	10614
		10	1	4457	5048	6383	9290	11003
		12	1	4563	5210	6591	9604	11424
BAB117	33" x 88" (20.16 ft <sup>2</sup> )	8	1	4957	5648	7054	10328	12187
		10	1	5076	5819	7285	10673	12581
		12	1	5196	6004	7535	11052	13150
BAB122	39" x 92" (24.91 ft <sup>2</sup> )	8	1	5758	6117	8251	12232	14442
		10	1	5901	6334	8539	12681	15016
		12	1	6058	6563	8848	13379	15636
BAB128	39" x 116" (31.41 ft <sup>2</sup> )	8	1	7135	8000	9916	14925	17598
		10	1	7317	8264	10275	15469	18317
		12	1	7511	8559	10665	16053	19102
BAB137	51" x 116" (41.08 ft <sup>2</sup> )	8	2	9081	10765	12088	18800	22159
		10	2	9317	11118	12563	19507	23103
		12	2	9575	11499	13074	20273	24128
BAB141	60" x 116" (48.33 ft <sup>2</sup> )	8	2	10542	12841	13719	21687	25583
		10	2	10819	13254	14275	22517	26694
		12	2	11123	13707	14876	23421	27898
BAB150	69" x 116" (55.58 ft <sup>2</sup> )	8	2	12006	14930	15351	24605	29004
		10	2	12321	15407	15985	25560	30279
		12	2	12670	15929	16687	26598	31665
BAB164	87" x 116" (70.08 ft <sup>2</sup> )	8	2	14921	19066	19778	30409	35849
		10	2	15322	19669	20579	31618	37456
		12	2	15760	20325	21451	32928	39203
BAB182	87" x 153" (92.44 ft <sup>2</sup> )	8	2	19680	25147	26086	40108	47284
		10	2	20210	25943	27143	41704	49403
		12	2	20788	26808	28293	43431	51707

**PRICE NOTES:**

1. Coils are fabricated with seamless 1/2" copper tubes (0.016") with (1.5"x1.299") tube centres staggered in direction of the airflow. Tubes are mechanically expanded into fully collared aluminum fins (water is not used in expansion process).
2. Coil has a maximum of 8 rows deep and is directly bolted to the fan section.
3. Coil is constructed with standard corrugated aluminum fin pattern for increased heat transfer and to provide additional stiffness to the fin. Fully drawn collars provide an efficient thermal bond with the tubes and allow accurate fin spacing.
4. Standard fin spacing for catalogued ratings is 12 FPI.
5. All coil models have standard 0.0055" thick aluminum fin material and optional fin thickness of 0.0075" or 0.0090". Copper fin material is also available at 0.0055" fin thickness.

Fin Thickness	Fin Spacing	Fin Material
0.0055"	8 to 14 FPI	Aluminum & Copper
0.0075"	6 to 12 FPI	Aluminum
0.0090"	4.5 to 8 FPI	Aluminum

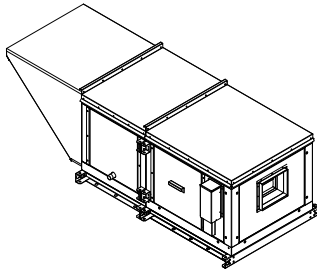
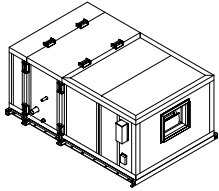
6. Headers are made from type L, seamless copper tubing with brazed copper end discs.
7. Coil casings are fabricated from 14 gauge galvanized sheet metal.
8. End plates are built with formed, collared tube holes to provide additional tube support. Coil over 60" finned tube length is provided with intermediate support channels across their width for additional rigidity.
9. Coils are tested at 450 PSIG under water for several minutes to ensure leak free unit.

**Refer to Free Standing Coil Price Sheet for price adder on optional fin materials, header modification and multiple circuits.  
Consult factory for Copper fin and coil coating pricing.**

## BAC, BAF, BAH AIR HANDLERS

### NOMENCLATURE

**B AC 128 F H - I T4 A - 0000**



**B = Bally**

**Unit Style**

AF = Air Handler, Fan Head

AH = Air Handler, Heating Coil Section

AC = Air Handler, Cooling Coil Section

**Model Number**

1 = Number Of Fans

28 = Coil Face Area (ft<sup>2</sup>)

**Blower Type**

F = Forward Curved (Standard)

A = Airfoil

**Unit Orientation**

H = Horizontal

V = Vertical

**Manufacturing Options**

**Series / Generation**

A = First Generation

**Unit Electrical Designation**

S1 = 115/1/60

S2 = 208/230/1/60

T3 = 208-230/3/60

T4 = 460/3/60

T5 = 575/3/60

**Enclosure Type**

I = Indoor (Standard)

H = Outdoor



web: [www.b-rp.ca/ba](http://www.b-rp.ca/ba)

email: [ahu@b-rp.ca](mailto:ahu@b-rp.ca)

call: 1-844-893-3222 x527

### BASIC UNIT

Basic unit consists of a blower section with forward curved fan(s), extended nylon lubrication lines, adjustable motor mount, V belt drive, heavy duty G90 galvanized sheet metal cabinet with removable access panels.

BAF horizontal model consists of fan section only

BAH model is fan section and heating coil sections arranged for horizontal air intake and horizontal air flow.

BAC horizontal is made up of fan section and cooling coil section. Unit is insulated with 2" thick mineral wool insulation and double wall panels. Units are arranged for horizontal air intake and horizontal air flow. Cooling coil section utilizes a stainless steel drain pan.

BAC vertical is similar to BAC horizontal model except that unit is arranged for horizontal air intake and vertical air flow.

### OPTIONAL FEATURES

**Fan & Htg. Coil Section Insulation:** 2" thick mineral wool insulation, with double wall panels.

**Fan Head Drain Pan:** Installations with high humidity may require a Fan Head Drain Pan

**Auxiliary Coil Section:** Un-insulated heating coil section accepts coils to maximum 8 row depth.

**Auxiliary Coil Section – Insulated:** 2" thick mineral wool insulation, with double wall panels.

**Heating/Cooling Coil Section:** Maximum 10 rows of coil depth may be accommodated in the insulated coil section provided with drain pan and male pipe thread drain fitting located on same end of unit as coil connections.

**Flat Filter Section:** Filter access doors on both sides of unit.

**Angular Filter Section (Models 114 to 182):** Filter access doors on both sides of unit.

**Combination Angle Filter Section and Mixing Box:** Standard equipment consists of filter and mixing box with two sets of dampers. Damper blades are parallel type with no sealing along edges. The mixing box is furnished with damper shaft extensions on both ends for automatic control installed by others. National Refrigeration and Air Conditioning Canada Corp. does not furnish damper motors or controls.

Filter/mixing box, supplied less dampers, has openings for fresh air and return air.

**Internal Face and Bypass Section** Internal face and by-pass sections may be used in conjunction with small face area coils only. Both internal and external face and by-pass sections are supplied with opposed blade, non-sealed dampers. Three inch shaft extensions are supplied at each end of the by-pass sections. Shaft extensions are 1/2" in diameter. Controls and damper motors are to be supplied and installed by others.



# 2018 Refrigeration Products Price List

BLP-2018-1 - EFFECTIVE DATE: 01 AUGUST 2018 - SUPERCEDES: BLP-2018



## BAC, BAF, BAH AIR HANDLERS

### OPTIONAL FEATURES (cont`d)

**Internal Bypass Section** Internal bypass sections may be used in conjunction with small face area coils only. Opposed blade, non-sealed dampers are provided in bypass section only. Three inch shaft extensions are supplied at each end of the bypass section. Shaft extensions are 1/2" diameter. Controls and damper motor are to be supplied and installed by others.

**External Face and Bypass Section (Models 114 to 182):** External face and by-pass sections on units 137 and 182 are available with by-pass duct at top of unit only. Motor and by-pass duct cannot be located on the same panel. Access section supplied between coil section and fan section to allow for bypass.

**Mixing Box and Dampers:** Similar to combination angular filter section/mixing box with 2" thick mineral wool insulation - but less filter racks.

**Access Section (Models 114 to 182):** Access section is similar to angular filter section without the filter rack. Standard access sections 20" deep, other sizes are available in 5" increments 15" – 50".

**Fresh Air Intake Hood:** Available for outdoor units only with either mesh screening or provisions for aluminium filters

**Painted Finish:** Consult factory for availability and pricing. Exterior metal surface is cleaned, primed and finished in one coat of air dry enamel. Supply paint chip sample to ensure correct paint application.

**OTHER OPTIONS ARE AVAILABLE AT YOUR REQUEST. CONSULT FACTORY FOR PRICING.**

### MODEL 103

PRODUCT NUMBER	ITEM	LIST PRICE \$
BAF103FH-I	Fan section only - Forward Curved Fan - Horizontal - Indoor Unit - No Insulation	3611
BAF103FH-H	Fan section only - Forward Curved Fan - Horizontal - Outdoor Unit - No Insulation	4153
BAH103FH-I	Fan section & Htg coil sect. - Forward Curved Fan - Horizontal - Indoor Unit - No Insulation	4287
BAH103FH-H	Fan section & Htg coil sect. - Forward Curved Fan - Horizontal - Outdoor Unit - With Insulation	4829
BAH-103FV-I	Fan section & Heating coil sect. - Forward Curved Fan - Vertical - Indoor Unit - No Insulation (less drain pan)	4287
BAC103FH-I	Fan section & Htg/Clg coil sect. - Forward Curved Fan - Horizontal - Indoor Unit - With Insulation	5375
BAC103FH-H	Fan section & Htg/Clg coil sect. - Forward Curved Fan - Horizontal - Outdoor Unit - With Insulation	5917
BAC103FV-I	Fan section & Htg/Clg coil sect. - Forward Curved Fan - Vertical - Indoor Unit - With Insulation	6047
OPTIONS AND ACCESSORIES	Fan section insulation (BAF & BAH only)	413
	Fan Head Drain Pan - Aluminium	387
	Htg. coil section insulation (BAH only)	102
	Aux. Htg. coil sect. - Indoor - No Insulation (8 row max.- Horizontal only)	818
	Aux. Htg. coil sect. - Indoor - With Insulation (8 row max.- Horizontal only)	1166
	Aux. Htg. coil sect. - Outdoor - With Insulation (8 row max.- Horizontal only)	1554
	Htg/Clg coil section -Horizontal - With Insulation - Indoor	1768
	Htg/Clg coil section -Horizontal - With Insulation - Outdoor	3359
	'Bolt On' Flat Filter Section - No Insulation - 2" filters Filter Qty & Size: 2 - 16x20x2	526
	Flat Filter Section: Indoor - No Insulation - 2" filters Filter Qty & Size: 2 - 16x20x2	1184
	Flat Filter Section: Indoor - With Insulation - 2" filters Filter Qty & Size: 2 - 16x20x2	1235
	Flat Filter Section: Indoor - With Insulation - 4" filters Filter Qty & Size: 2 - 16x20x4	1235
	Flat Filter Section: Outdoor - With Insulation - 2" filters Filter Qty & Size: 2 - 16x20x2	2250
	Flat Filter Section: Outdoor - With Insulation - 4" filters Filter Qty & Size: 2 - 16x20x4	2250
	Comb. Angle Filter Sect. with 2 dampers: Indoor - With Insulation - Filter Qty & Size: 2 - 16x25x2	2090
	Mixing box and 2 dampers: Indoor - With Insulation	1809
	Mixing box less dampers: Indoor - With Insulation	1597
	Access sect. (20") - Indoor - With Insulation	1235
	Access sect. (20") - Outdoor - With Insulation	2250
	Fresh Air Intake Hood - Outdoor - Mesh Screen	1512
	Fresh Air Intake Hood - Outdoor - Aluminum Mesh Filter - Filter Qty & Size: 4 - 16x20x2	955
	Internal Isolators (Consult Factory)	806

#### Notes:

- Filters not included in price of any filter section or intake hood, see page 22 for filter prices
- Access section: other sizes available in 5" increments 15-50", consult factory for price

## BAC, BAF, BAH AIR HANDLERS

### MODEL 104

PRODUCT NUMBER	ITEM	LIST PRICE \$
BAF104FH-I	Fan section only - Forward Curved Fan - Horizontal - Indoor Unit - No Insulation	3937
BAF104FH-H	Fan section only - Forward Curved Fan - Horizontal - Outdoor Unit - No Insulation	4527
BAH104FH-I	Fan section & Htg coil sect. - Forward Curved Fan - Horizontal - Indoor Unit - No Insulation	4725
BAH104FH-H	Fan section & Htg coil sect. - Forward Curved Fan - Horizontal - Outdoor Unit - With Insulation	5315
BAH-104FV-I	Fan section & Heating coil sect. - Forward Curved Fan - Vertical - Indoor Unit - No Insulation (less drain pan)	4725
BAC104FH-I	Fan section & Htg/Clg coil sect. - Forward Curved Fan - Horizontal - Indoor Unit - With Insulation	5698
BAC104FH-H	Fan section & Htg/Clg coil sect. - Forward Curved Fan - Horizontal - Outdoor Unit - With Insulation	6288
BAC104FV-I	Fan section & Htg/Clg coil sect. - Forward Curved Fan - Vertical - Indoor Unit - With Insulation	6437
OPTIONS AND ACCESSORIES	Fan section insulation (BAF & BAH only)	448
	Fan Head Drain Pan - Aluminium	435
	Htg. coil section insulation (BAH only)	137
	Aux. Htg. coil sect. - Indoor - No Insulation (8 row max.- Horizontal only)	881
	Aux. Htg. coil sect. - Indoor - With Insulation (8 row max.- Horizontal only)	1256
	Aux. Htg. coil sect. - Outdoor - With Insulation (8 row max.- Horizontal only)	1674
	Htg/Clg coil section -Horizontal - With Insulation - Indoor	1947
	Htg/Clg coil section -Horizontal - With Insulation - Outdoor	3699
	'Bolt On' Flat Filter Section - No Insulation - 2" filters Filter Qty & Size: 2 - 20x20x2	590
	Flat Filter Section: Indoor - No Insulation - 2" filters Filter Qty & Size: 2 - 20x20x2	1327
	Flat Filter Section: Indoor - With Insulation - 2" filters Filter Qty & Size: 2 - 20x20x2	1395
	Flat Filter Section: Indoor - With Insulation - 4" filters Filter Qty & Size: 2 - 20x20x4	1395
	Flat Filter Section: Outdoor - With Insulation - 2" filters Filter Qty & Size: 2 - 20x20x2	2521
	Flat Filter Section: Outdoor - With Insulation - 4" filters Filter Qty & Size: 2 - 20x20x4	2521
	Comb. Angle Filter Sect. with 2 dampers: Indoor - With Insulation - Filter Qty & Size: 4 - 16x20x2	2660
	Mixing box and 2 dampers: Indoor - With Insulation	2380
	Mixing box less dampers: Indoor - With Insulation	2005
	Access sect. (20") - Indoor - With Insulation	1395
	Access sect. (20") - Outdoor - With Insulation	2521
	Fresh Air Intake Hood - Outdoor - Mesh Screen	1982
Fresh Air Intake Hood - Outdoor - Aluminum Mesh Filter - Filter Qty & Size: 2 - 20x20x2 & 2 - 20x25x2	988	
Internal Isolators (Consult Factory)	806	

### MODEL 106

PRODUCT NUMBER	ITEM	LIST PRICE \$
BAF106FH-I	Fan section only - Forward Curved Fan - Horizontal - Indoor Unit - No Insulation	5678
BAF106FH-H	Fan section only - Forward Curved Fan - Horizontal - Outdoor Unit - No Insulation	6530
BAH106FH-I	Fan section & Htg coil sect. - Forward Curved Fan - Horizontal - Indoor Unit - No Insulation	7014
BAH106FH-H	Fan section & Htg coil sect. - Forward Curved Fan - Horizontal - Outdoor Unit - With Insulation	7865
BAH-106FV-I	Fan section & Heating coil sect. - Forward Curved Fan - Vertical - Indoor Unit - No Insulation (less drain pan)	7014
BAC106FH-I	Fan section & Htg/Clg coil sect. - Forward Curved Fan - Horizontal - Indoor Unit - With Insulation	8385
BAC106FH-H	Fan section & Htg/Clg coil sect. - Forward Curved Fan - Horizontal - Outdoor Unit - With Insulation	9237
BAC106FV-I	Fan section & Htg/Clg coil sect. - Forward Curved Fan - Vertical - Indoor Unit - With Insulation	9319
OPTIONS AND ACCESSORIES	Fan section insulation (BAF & BAH only)	510
	Fan Head Drain Pan - Aluminium	490
	Htg. coil section insulation (BAH only)	174
	Aux. Htg. coil sect. - Indoor - No Insulation (8 row max.- Horizontal only)	952
	Aux. Htg. coil sect. - Indoor - With Insulation (8 row max.- Horizontal only)	1357
	Aux. Htg. coil sect. - Outdoor - With Insulation (8 row max.- Horizontal only)	1809
	Htg/Clg coil section -Horizontal - With Insulation - Indoor	2457
	Htg/Clg coil section -Horizontal - With Insulation - Outdoor	4668
	'Bolt On' Flat Filter Section - No Insulation - 2" filters Filter Qty & Size: 3 - 16x25x2	764
	Flat Filter Section: Indoor - No Insulation - 2" filters Filter Qty & Size: 3 - 16x25x2	1719
	Flat Filter Section: Indoor - With Insulation - 2" filters Filter Qty & Size: 3 - 16x25x2	1806
	Flat Filter Section: Indoor - With Insulation - 4" filters Filter Qty & Size: 3 - 16x25x4	1806
	Flat Filter Section: Outdoor - With Insulation - 2" filters Filter Qty & Size: 3 - 16x25x2	3265
	Flat Filter Section: Outdoor - With Insulation - 4" filters Filter Qty & Size: 3 - 16x25x4	3265
	Comb. Angle Filter Sect. with 2 dampers: Indoor - With Insulation - Filter Qty & Size: 6 - 16x20x2	3004
	Mixing box and 2 dampers: Indoor - With Insulation	2604
	Mixing box less dampers: Indoor - With Insulation	2190
	Access sect. (20") - Indoor - With Insulation	1806
	Access sect. (20") - Outdoor - With Insulation	3265
	Fresh Air Intake Hood - Outdoor - Mesh Screen	1989
Fresh Air Intake Hood - Outdoor - Aluminum Mesh Filter - Filter Qty & Size: 6 - 16x25x2	1086	
Internal Isolators (Consult Factory)	806	

**Notes:**

- Filters not included in price of any filter section or intake hood, see page 22 for filter prices
- Access section: other sizes available in 5" increments 15-50", consult factory for price





# 2018 Refrigeration Products Price List

BLP-2018-1 - EFFECTIVE DATE: 01 AUGUST 2018 - SUPERCEDES: BLP-2018



## BAC, BAF, BAH AIR HANDLERS

### MODEL 108

PRODUCT NUMBER	ITEM	LIST PRICE \$
BAF108FH-I	Fan section only - Forward Curved Fan - Horizontal - Indoor Unit - No Insulation	6149
BAF108FH-H	Fan section only - Forward Curved Fan - Horizontal - Outdoor Unit - No Insulation	7072
BAH108FH-I	Fan section & Htg coil sect. - Forward Curved Fan - Horizontal - Indoor Unit - No Insulation	7593
BAH108FH-H	Fan section & Htg coil sect. - Forward Curved Fan - Horizontal - Outdoor Unit - With Insulation	8515
BAH-108FV-I	Fan section & Heating coil sect. - Forward Curved Fan - Vertical - Indoor Unit - No Insulation (less drain pan)	7593
BAC108FH-I	Fan section & Htg/Clg coil sect. - Forward Curved Fan - Horizontal - Indoor Unit - With Insulation	8385
BAC108FH-H	Fan section & Htg/Clg coil sect. - Forward Curved Fan - Horizontal - Outdoor Unit - With Insulation	9308
BAC108FV-I	Fan section & Htg/Clg coil sect. - Forward Curved Fan - Vertical - Indoor Unit - With Insulation	9346
OPTIONS AND ACCESSORIES	Fan section insulation (BAF & BAH only)	591
	Fan Head Drain Pan - Aluminium	511
	Htg. coil section insulation (BAH only)	240
	Aux. Htg. coil sect. - Indoor - No Insulation (8 row max.- Horizontal only)	1104
	Aux. Htg. coil sect. - Indoor - With Insulation (8 row max.- Horizontal only)	1574
	Aux. Htg. coil sect. - Outdoor - With Insulation (8 row max.- Horizontal only)	2098
	Htg/Clg coil section -Horizontal - With Insulation - Indoor	2529
	Htg/Clg coil section -Horizontal - With Insulation - Outdoor	4805
	'Bolt On' Flat Filter Section - No Insulation - 2" filters Filter Qty & Size: 2 - 16x20x2, 2 - 16x25x2	817
	Flat Filter Section: Indoor - No Insulation - 2" filters Filter Qty & Size: 2 - 16x20x2, 2 - 16x25x2	1838
	Flat Filter Section: Indoor - With Insulation - 2" filters Filter Qty & Size: 2 - 16x20x2, 2 - 16x25x2	1958
	Flat Filter Section: Indoor - With Insulation - 4" filters Filter Qty & Size: 2 - 16x20x4, 2 - 16x25x4	1958
	Flat Filter Section: Outdoor - With Insulation - 2" filters Filter Qty & Size: 2 - 16x20x2, 2 - 16x25x2	3491
	Flat Filter Section: Outdoor - With Insulation - 4" filters Filter Qty & Size: 2 - 16x20x4, 2 - 16x25x4	3491
	Comb. Angle Filter Sect. with 2 dampers: Indoor - With Insulation - Filter Qty & Size: 6 - 16x25x2	3392
	Mixing box and 2 dampers: Indoor - With Insulation	2869
	Mixing box less dampers: Indoor - With Insulation	2619
	Access sect. (20") - Indoor - With Insulation	1958
	Access sect. (20") - Outdoor - With Insulation	3491
	Fresh Air Intake Hood - Outdoor - Mesh Screen	2054
Fresh Air Intake Hood - Outdoor - Aluminum Mesh Filter - Filter Qty & Size: 6 - 16x25x2	1152	
Internal Isolators (Consult Factory)	806	

### MODEL 111

PRODUCT NUMBER	ITEM	LIST PRICE \$
BAF111FH-I	Fan section only - Forward Curved Fan - Horizontal - Indoor Unit - No Insulation	7676
BAF111FH-H	Fan section only - Forward Curved Fan - Horizontal - Outdoor Unit - No Insulation	8827
BAH111FH-I	Fan section & Htg coil sect. - Forward Curved Fan - Horizontal - Indoor Unit - No Insulation	9051
BAH111FH-H	Fan section & Htg coil sect. - Forward Curved Fan - Horizontal - Outdoor Unit - With Insulation	10202
BAH-111FV-I	Fan section & Heating coil sect. - Forward Curved Fan - Vertical - Indoor Unit - No Insulation (less drain pan)	9051
BAC111FH-I	Fan section & Htg/Clg coil sect. - Forward Curved Fan - Horizontal - Indoor Unit - With Insulation	10091
BAC111FH-H	Fan section & Htg/Clg coil sect. - Forward Curved Fan - Horizontal - Outdoor Unit - With Insulation	11242
BAC111FV-I	Fan section & Htg/Clg coil sect. - Forward Curved Fan - Vertical - Indoor Unit - With Insulation	11146
OPTIONS AND ACCESSORIES	Fan section insulation (BAF & BAH only)	701
	Fan Head Drain Pan - Aluminium	511
	Htg. coil section insulation (BAH only)	302
	Aux. Htg. coil sect. - Indoor - No Insulation (8 row max.- Horizontal only)	1267
	Aux. Htg. coil sect. - Indoor - With Insulation (8 row max.- Horizontal only)	1805
	Aux. Htg. coil sect. - Outdoor - With Insulation (8 row max.- Horizontal only)	2407
	Htg/Clg coil section -Horizontal - With Insulation - Indoor	2777
	Htg/Clg coil section -Horizontal - With Insulation - Outdoor	5276
	'Bolt On' Flat Filter Section - No Insulation - 2" filters Filter Qty & Size: 6 - 16x20x2	1006
	Flat Filter Section: Indoor - No Insulation - 2" filters Filter Qty & Size: 6 - 16x20x2	2264
	Flat Filter Section: Indoor - With Insulation - 2" filters Filter Qty & Size: 6 - 16x20x2	2415
	Flat Filter Section: Indoor - With Insulation - 4" filters Filter Qty & Size: 6 - 16x20x4	2415
	Flat Filter Section: Outdoor - With Insulation - 2" filters Filter Qty & Size: 6 - 16x20x2	4302
	Flat Filter Section: Outdoor - With Insulation - 4" filters Filter Qty & Size: 6 - 16x20x4	4302
	Comb. Angle Filter Sect. with 2 dampers: Indoor - With Insulation - Filter Qty & Size: 6 - 20x25x2	4115
	Mixing box and 2 dampers: Indoor - With Insulation	3499
	Mixing box less dampers: Indoor - With Insulation	3184
	Access sect. (20") - Indoor - With Insulation	2415
	Access sect. (20") - Outdoor - With Insulation	4302
	Fresh Air Intake Hood - Outdoor - Mesh Screen	3112
Fresh Air Intake Hood - Outdoor - Aluminum Mesh Filter - Filter Qty & Size: 8 - 16x25x2	1909	
Internal Isolators (Consult Factory)	1483	

#### Notes:

- Filters not included in price of any filter section or intake hood, see page 22 for filter prices
- Access section: other sizes available in 5" increments 15-50", consult factory for price

## BAC, BAF, BAH AIR HANDLERS

### MODEL 114

PRODUCT NUMBER	ITEM	LIST PRICE \$
<b>BAF114FH-I</b>	Fan section only - Forward Curved Fan - Horizontal - Indoor Unit - No Insulation	<b>9572</b>
<b>BAF114FH-H</b>	Fan section only - Forward Curved Fan - Horizontal - Outdoor Unit - No Insulation	<b>11008</b>
<b>BAH114FH-I</b>	Fan section & Htg coil sect. - Forward Curved Fan - Horizontal - Indoor Unit - No Insulation	<b>10993</b>
<b>BAH114FH-H</b>	Fan section & Htg coil sect. - Forward Curved Fan - Horizontal - Outdoor Unit - With Insulation	<b>12429</b>
<b>BAH-114FV-I</b>	Fan section & Heating coil sect. - Forward Curved Fan - Vertical - Indoor Unit - No Insulation (less drain pan)	<b>10993</b>
<b>BAC114FH-I</b>	Fan section & Htg/Clg coil sect. - Forward Curved Fan - Horizontal - Indoor Unit - With Insulation	<b>11933</b>
<b>BAC114FH-H</b>	Fan section & Htg/Clg coil sect. - Forward Curved Fan - Horizontal - Outdoor Unit - With Insulation	<b>13369</b>
<b>BAC114FV-I</b>	Fan section & Htg/Clg coil sect. - Forward Curved Fan - Vertical - Indoor Unit - With Insulation	<b>13002</b>
<b>OPTIONS AND ACCESSORIES</b>	Fan section insulation (BAF & BAH only)	<b>779</b>
	Fan Head Drain Pan - Aluminium	<b>554</b>
	Htg. coil section insulation (BAH only)	<b>302</b>
	Aux. Htg. coil sect. - Indoor - No Insulation (8 row max.- Horizontal only)	<b>1470</b>
	Aux. Htg. coil sect. - Indoor - With Insulation (8 row max.- Horizontal only)	<b>2094</b>
	Aux. Htg. coil sect. - Outdoor - With Insulation (8 row max.- Horizontal only)	<b>2792</b>
	Htg/Clg coil section -Horizontal - With Insulation - Indoor	<b>2811</b>
	Htg/Clg coil section -Horizontal - With Insulation - Outdoor	<b>5341</b>
	'Bolt On' Flat Filter Section - No Insulation - 2" filters      Filter Qty & Size: 6 - 16x25x2	<b>1226</b>
	Flat Filter Section: Indoor - No Insulation - 2" filters      Filter Qty & Size: 6 - 16x25x2	<b>2758</b>
	Flat Filter Section: Indoor - With Insulation - 2" filters      Filter Qty & Size: 6 - 16x25x2	<b>2909</b>
	Flat Filter Section: Indoor - With Insulation - 4" filters      Filter Qty & Size: 6 - 16x25x4	<b>2909</b>
	Flat Filter Section: Outdoor - With Insulation - 2" filters      Filter Qty & Size: 6 - 16x25x2	<b>5240</b>
	Flat Filter Section: Outdoor - With Insulation - 4" filters      Filter Qty & Size: 6 - 16x25x4	<b>5240</b>
	Angle Filter Section: No Insulation - Indoor - 2" filters      Filter Qty & Size: 2 - 16x25x2, 6 - 20x25x2	<b>2406</b>
	Angle Filter Section: With Insulation - Indoor - 2" filters      Filter Qty & Size: 2 - 16x25x2, 6 - 20x25x2	<b>2708</b>
	Angle Filter Section: With Insulation - Outdoor - 2" filters      Filter Qty & Size: 2 - 16x25x2, 6 - 20x25x2	<b>4572</b>
	Comb. Angle Filter Sect. with 2 dampers: Indoor - With Insulation - Filter Qty & Size: 2 - 16x25x2, 6 - 20x25x2	<b>4281</b>
	Internal face/bypass section: Indoor - With Insulation	<b>3121</b>
	Internal face/bypass section: Outdoor - With Insulation	<b>5930</b>
	Internal bypass section (less face dampers): Indoor - With Insulation	<b>1561</b>
	Internal bypass section (less face dampers): Outdoor - With Insulation	<b>2965</b>
	External face/bypass section: Indoor - With Insulation (top bypass only)	<b>4432</b>
	External face/bypass section: Outdoor - With Insulation (top bypass only)	<b>8421</b>
	Mixing box and 2 dampers: Indoor - With Insulation	<b>3752</b>
	Mixing box less dampers: Indoor - With Insulation	<b>3302</b>
	Access sect. (20") - Indoor - With Insulation	<b>2909</b>
	Access sect. (20") - Outdoor - With Insulation	<b>5240</b>
	Fresh Air Intake Hood - Outdoor - Mesh Screen	<b>3273</b>
	Fresh Air Intake Hood - Outdoor - Aluminum Mesh Filter - Filter Qty & Size: 8 - 20x25x2	<b>1975</b>
	Internal Isolators (Consult Factory)	<b>1483</b>

**Notes:**

- Filters not included in price of any filter section or intake hood, see page 22 for filter prices
- Access section: other sizes available in 5" increments 15-50", consult factory for price



# 2018 Refrigeration Products Price List

BLP-2018-1 - EFFECTIVE DATE: 01 AUGUST 2018 - SUPERCEDES: BLP-2018



## BAC, BAF, BAH AIR HANDLERS

### MODEL 117

PRODUCT NUMBER	ITEM	LIST PRICE \$
BAF117FH-I	Fan section only - Forward Curved Fan - Horizontal - Indoor Unit - No Insulation	10589
BAF117FH-H	Fan section only - Forward Curved Fan - Horizontal - Outdoor Unit - No Insulation	12177
BAH117FH-I	Fan section & Htg coil sect. - Forward Curved Fan - Horizontal - Indoor Unit - No Insulation	12145
BAH117FH-H	Fan section & Htg coil sect. - Forward Curved Fan - Horizontal - Outdoor Unit - With Insulation	13733
BAH-117FV-I	Fan section & Heating coil sect. - Forward Curved Fan - Vertical - Indoor Unit - No Insulation (less drain pan)	12145
BAC117FH-I	Fan section & Htg/Clg coil sect. - Forward Curved Fan - Horizontal - Indoor Unit - With Insulation	13169
BAC117FH-H	Fan section & Htg/Clg coil sect. - Forward Curved Fan - Horizontal - Outdoor Unit - With Insulation	14758
BAC117FV-I	Fan section & Htg/Clg coil sect. - Forward Curved Fan - Vertical - Indoor Unit - With Insulation	14343
OPTIONS AND ACCESSORIES	Fan section insulation (BAF & BAH only)	1666
	Fan Head Drain Pan - Aluminium	623
	Htg. coil section insulation (BAH only)	373
	Aux. Htg. coil sect. - Indoor - No Insulation (8 row max.- Horizontal only)	1666
	Aux. Htg. coil sect. - Indoor - With Insulation (8 row max.- Horizontal only)	2374
	Aux. Htg. coil sect. - Outdoor - With Insulation (8 row max.- Horizontal only)	3165
	Htg/Clg coil section -Horizontal - With Insulation - Indoor	3087
	Htg/Clg coil section -Horizontal - With Insulation - Outdoor	5866
	'Bolt On' Flat Filter Section - No Insulation - 2" filters Filter Qty & Size: 4 - 16x20x2, 4 - 16x25x2	1290
	Flat Filter Section: Indoor - No Insulation - 2" filters Filter Qty & Size: 4 - 16x20x2, 4 - 16x25x2	2903
	Flat Filter Section: Indoor - With Insulation - 2" filters Filter Qty & Size: 4 - 16x20x2, 4 - 16x25x2	3089
	Flat Filter Section: Indoor - With Insulation - 4" filters Filter Qty & Size: 4 - 16x20x4, 4 - 16x25x4	3089
	Flat Filter Section: Outdoor - With Insulation - 2" filters Filter Qty & Size: 4 - 16x20x2, 4 - 16x25x2	5516
	Flat Filter Section: Outdoor - With Insulation - 4" filters Filter Qty & Size: 4 - 16x20x4, 4 - 16x25x4	5516
	Angle Filter Section: No Insulation - Indoor - 2" filters Filter Qty & Size: 8 - 20x25x2	2660
	Angle Filter Section: With Insulation - Indoor - 2" filters Filter Qty & Size: 8 - 20x25x2	3033
	Angle Filter Section: With Insulation - Outdoor - 2" filters Filter Qty & Size: 8 - 20x25x2	5055
	Comb. Angle Filter Sect. with 2 dampers: Indoor - With Insulation - Filter Qty & Size: 8 - 20x25x2	4904
	Internal face/bypass section: Indoor - With Insulation	3829
	Internal face/bypass section: Outdoor - With Insulation	7276
	Internal bypass section (less face dampers): Indoor - With Insulation	1915
	Internal bypass section (less face dampers): Outdoor - With Insulation	3638
	External face/bypass section: Indoor - With Insulation (top bypass only)	4503
	External face/bypass section: Outdoor - With Insulation (top bypass only)	8556
	Mixing box and 2 dampers: Indoor - With Insulation	4115
	Mixing box less dampers: Indoor - With Insulation	3809
	Access sect. (20") - Indoor - With Insulation	3089
	Access sect. (20") - Outdoor - With Insulation	5516
	Fresh Air Intake Hood - Outdoor - Mesh Screen	3568
	Fresh Air Intake Hood - Outdoor - Aluminum Mesh Filter - Filter Qty & Size: 4 - 20x25x2 & 4 - 25x25x2	2173
	Internal Isolators (Consult Factory)	1483

#### Notes:

- Filters not included in price of any filter section or intake hood, see page 22 for filter prices
- Access section: other sizes available in 5" increments 15-50", consult factory for price



# 2018 Refrigeration Products Price List

BLP-2018-1 - EFFECTIVE DATE: 01 AUGUST 2018 - SUPERCEDES: BLP-2018



## BAC, BAF, BAH AIR HANDLERS

### MODEL 122

PRODUCT NUMBER	ITEM	LIST PRICE \$
BAF122FH-I	Fan section only - Forward Curved Fan - Horizontal - Indoor Unit - No Insulation	13047
BAF122FH-H	Fan section only - Forward Curved Fan - Horizontal - Outdoor Unit - No Insulation	15004
BAH122FH-I	Fan section & Htg coil sect. - Forward Curved Fan - Horizontal - Indoor Unit - No Insulation	14842
BAH122FH-H	Fan section & Htg coil sect. - Forward Curved Fan - Horizontal - Outdoor Unit - With Insulation	16799
BAH122FV-I	Fan section & Heating coil sect. - Forward Curved Fan - Vertical - Indoor Unit - No Insulation (less drain pan)	14842
BAC122FH-I	Fan section & Htg/Clg coil sect. - Forward Curved Fan - Horizontal - Indoor Unit - With Insulation	15927
BAC122FH-H	Fan section & Htg/Clg coil sect. - Forward Curved Fan - Horizontal - Outdoor Unit - With Insulation	17884
BAC122FV-I	Fan section & Htg/Clg coil sect. - Forward Curved Fan - Vertical - Indoor Unit - With Insulation	17910
OPTIONS AND ACCESSORIES	Fan section insulation (BAF & BAH only)	1226
	Fan Head Drain Pan - Aluminium	674
	Htg. coil section insulation (BAH only)	477
	Aux. Htg. coil sect. - Indoor - No Insulation (8 row max.- Horizontal only)	1901
	Aux. Htg. coil sect. - Indoor - With Insulation (8 row max.- Horizontal only)	2708
	Aux. Htg. coil sect. - Outdoor - With Insulation (8 row max.- Horizontal only)	3611
	Htg/Clg coil section -Horizontal - With Insulation - Indoor	3479
	Htg/Clg coil section -Horizontal - With Insulation - Outdoor	6610
	'Bolt On' Flat Filter Section - No Insulation - 2" filters Filter Qty & Size: 12 - 16x20x2	1619
	Flat Filter Section: Indoor - No Insulation - 2" filters Filter Qty & Size: 12 - 16x20x2	3643
	Flat Filter Section: Indoor - With Insulation - 2" filters Filter Qty & Size: 12 - 16x20x2	3882
	Flat Filter Section: Indoor - With Insulation - 4" filters Filter Qty & Size: 12 - 16x20x4	3882
	Flat Filter Section: Outdoor - With Insulation - 2" filters Filter Qty & Size: 12 - 16x20x2	6922
	Flat Filter Section: Outdoor - With Insulation - 4" filters Filter Qty & Size: 12 - 16x20x4	6922
	Angle Filter Section: No Insulation - Indoor - 2" filters Filter Qty & Size: 16 - 16x25x2	3054
	Angle Filter Section: With Insulation - Indoor - 2" filters Filter Qty & Size: 16 - 16x25x2	3531
	Angle Filter Section: With Insulation - Outdoor - 2" filters Filter Qty & Size: 16 - 16x25x2	5803
	Comb. Angle Filter Sect. with 2 dampers: Indoor - With Insulation - Filter Qty & Size: 16 - 16x25x2	5481
	Internal face/bypass section: Indoor - With Insulation	4098
	Internal face/bypass section: Outdoor - With Insulation	7786
	Internal bypass section (less face dampers): Indoor - With Insulation	2049
	Internal bypass section (less face dampers): Outdoor - With Insulation	3893
	External face/bypass section: Indoor - With Insulation (top bypass only)	5703
	External face/bypass section: Outdoor - With Insulation (top bypass only)	10835
	Mixing box and 2 dampers: Indoor - With Insulation	4909
	Mixing box less dampers: Indoor - With Insulation	4502
	Access sect. (20") - Indoor - With Insulation	3882
	Access sect. (20") - Outdoor - With Insulation	6922
	Fresh Air Intake Hood - Outdoor - Mesh Screen	3796
	Fresh Air Intake Hood - Outdoor - Aluminium Mesh Filter - Filter Qty & Size: 8 - 25x25x2	2304
	Internal Isolators (Consult Factory)	1483

#### Notes:

- Filters not included in price of any filter section or intake hood, see page 22 for filter prices
- Access section: other sizes available in 5" increments 15-50", consult factory for price



# 2018 Refrigeration Products Price List

BLP-2018-1 - EFFECTIVE DATE: 01 AUGUST 2018 - SUPERCEDES: BLP-2018



## BAC, BAF, BAH AIR HANDLERS

### MODEL 128

PRODUCT NUMBER	ITEM	LIST PRICE \$
BAF128FH-I	Fan section only - Forward Curved Fan - Horizontal - Indoor Unit - No Insulation	17582
BAF128FH-H	Fan section only - Forward Curved Fan - Horizontal - Outdoor Unit - No Insulation	20219
BAH128FH-I	Fan section & Htg coil sect. - Forward Curved Fan - Horizontal - Indoor Unit - No Insulation	20037
BAH128FH-H	Fan section & Htg coil sect. - Forward Curved Fan - Horizontal - Outdoor Unit - With Insulation	22675
BAH-128FV-I	Fan section & Heating coil sect. - Forward Curved Fan - Vertical - Indoor Unit - No Insulation (less drain pan)	20037
BAC128FH-I	Fan section & Htg/Clg coil sect. - Forward Curved Fan - Horizontal - Indoor Unit - With Insulation	20591
BAC128FH-H	Fan section & Htg/Clg coil sect. - Forward Curved Fan - Horizontal - Outdoor Unit - With Insulation	23228
BAC128FV-I	Fan section & Htg/Clg coil sect. - Forward Curved Fan - Vertical - Indoor Unit - With Insulation	22786
OPTIONS AND ACCESSORIES	Fan section insulation (BAF & BAH only)	1431
	Fan Head Drain Pan - Aluminium	796
	Htg. coil section insulation (BAH only)	557
	Aux. Htg. coil sect. - Indoor - No Insulation (8 row max.- Horizontal only)	2891
	Aux. Htg. coil sect. - Indoor - With Insulation (8 row max.- Horizontal only)	4120
	Aux. Htg. coil sect. - Outdoor - With Insulation (8 row max.- Horizontal only)	5494
	Htg/Clg coil section -Horizontal - With Insulation - Indoor	3850
	Htg/Clg coil section -Horizontal - With Insulation - Outdoor	7316
	'Bolt On' Flat Filter Section - No Insulation - 2" filters Filter Qty & Size: 12 - 20x20x2	1880
	Flat Filter Section: Indoor - No Insulation - 2" filters Filter Qty & Size: 12 - 20x20x2	4230
	Flat Filter Section: Indoor - With Insulation - 2" filters Filter Qty & Size: 12 - 20x20x2	4508
	Flat Filter Section: Indoor - With Insulation - 4" filters Filter Qty & Size: 12 - 20x20x4	4508
	Flat Filter Section: Outdoor - With Insulation - 2" filters Filter Qty & Size: 12 - 20x20x2	8036
	Flat Filter Section: Outdoor - With Insulation - 4" filters Filter Qty & Size: 12 - 20x20x4	8036
	Angle Filter Section: No Insulation - Indoor - 2" filters Filter Qty & Size: 12 - 20x25x2	3544
	Angle Filter Section: With Insulation - Indoor - 2" filters Filter Qty & Size: 12 - 20x25x2	4102
	Angle Filter Section: With Insulation - Outdoor - 2" filters Filter Qty & Size: 12 - 20x25x2	6734
	Comb. Angle Filter Sect. with 2 dampers: Indoor - With Insulation - Filter Qty & Size: 12 - 20x25x2	6886
	Internal face/bypass section: Indoor - With Insulation	4748
	Internal face/bypass section: Outdoor - With Insulation	9021
	Internal bypass section (less face dampers): Indoor - With Insulation	2374
	Internal bypass section (less face dampers): Outdoor - With Insulation	4511
	External face/bypass section: Indoor - With Insulation (top bypass only)	6612
	External face/bypass section: Outdoor - With Insulation (top bypass only)	12564
	Mixing box and 2 dampers: Indoor - With Insulation	5736
	Mixing box less dampers: Indoor - With Insulation	5392
	Access sect. (20") - Indoor - With Insulation	4508
	Access sect. (20") - Outdoor - With Insulation	8036
	Fresh Air Intake Hood - Outdoor - Mesh Screen	6438
	Fresh Air Intake Hood - Outdoor - Aluminum Mesh Filter - Filter Qty & Size: 24 - 16x20x2	3095
	Internal Isolators (Consult Factory)	1483

#### Notes:

- Filters not included in price of any filter section or intake hood, see page 22 for filter prices
- Access section: other sizes available in 5" increments 15-50", consult factory for price

## BAC, BAF, BAH AIR HANDLERS

### MODEL 137

PRODUCT NUMBER	ITEM	LIST PRICE \$
<b>BAF137FH-I</b>	Fan section insulation (BAF & BAH only)	22126
<b>BAF137FH-H</b>	Htg. coil section insulation (BAH only)	25445
<b>BAH137FH-I</b>	Aux. Htg. coil sect. - Indoor - No Insulation (8 row max.- Horizontal only)	25214
<b>BAH137FH-H</b>	Aux. Htg. coil sect. - Indoor - With Insulation (8 row max.- Horizontal only)	28533
<b>BAC137FH-I</b>	Aux. Htg. coil sect. - Outdoor - With Insulation (8 row max.- Horizontal only)	28325
<b>BAC137FH-H</b>	Htg/Clg coil section -Horizontal - With Insulation - Indoor	31643
<b>OPTIONS AND ACCESSORIES</b>	Fan section insulation (BAF & BAH only)	2228
	Htg. coil section insulation (BAH only)	738
	Aux. Htg. coil sect. - Indoor - No Insulation (8 row max.- Horizontal only)	4022
	Aux. Htg. coil sect. - Indoor - With Insulation (8 row max.- Horizontal only)	5731
	Aux. Htg. coil sect. - Outdoor - With Insulation (8 row max.- Horizontal only)	7641
	Htg/Clg coil section -Horizontal - With Insulation - Indoor	7023
	Htg/Clg coil section -Horizontal - With Insulation - Outdoor	13343
	'Bolt On' Flat Filter Section - No Insulation - 2" filters      Filter Qty & Size: 2 - 16x20x2	2144
	Flat Filter Section: Indoor - No Insulation - 2" filters      Filter Qty & Size: 12 - 20x25x2	4825
	Flat Filter Section: Indoor - With Insulation - 2" filters      Filter Qty & Size: 12 - 20x25x2	5194
	Flat Filter Section: Indoor - With Insulation - 4" filters      Filter Qty & Size: 12 - 20x25x4	5194
	Flat Filter Section: Outdoor - With Insulation - 2" filters      Filter Qty & Size: 12 - 20x25x2	9167
	Flat Filter Section: Outdoor - With Insulation - 4" filters      Filter Qty & Size: 12 - 20x25x4	9167
	Angle Filter Section: No Insulation - Indoor - 2" filters      Filter Qty & Size: 16 - 20x25x2	4027
	Angle Filter Section: With Insulation - Indoor - 2" filters      Filter Qty & Size: 16 - 20x25x2	4765
	Angle Filter Section: With Insulation - Outdoor - 2" filters      Filter Qty & Size: 16 - 20x25x2	7651
	Comb. Angle Filter Sect. with 2 dampers: Indoor - With Insulation - Filter Qty & Size: 16 - 20x25x2	8642
	Internal face/bypass section: Indoor - With Insulation	6344
	Internal face/bypass section: Outdoor - With Insulation	12054
	Internal bypass section (less face dampers): Indoor - With Insulation	3172
	Internal bypass section (less face dampers): Outdoor - With Insulation	6027
	External face/bypass section: Indoor - With Insulation (top bypass only)	8792
	External face/bypass section: Outdoor - With Insulation (top bypass only)	16704
	Mixing box and 2 dampers: Indoor - With Insulation	7699
	Mixing box less dampers: Indoor - With Insulation	6783
	Access sect. (20") - Indoor - With Insulation	5194
	Access sect. (20") - Outdoor - With Insulation	9167
	Fresh Air Intake Hood - Outdoor - Mesh Screen	6800
	Fresh Air Intake Hood - Outdoor - Aluminum Mesh Filter - Filter Qty & Size: 24 - 16x20x2	3457
	Internal Isolators (Consult Factory)	2071

**Notes:**

- Filters not included in price of any filter section or intake hood, see page 22 for filter prices
- Access section: other sizes available in 5" increments 15-50", consult factory for price



# 2018 Refrigeration Products Price List

BLP-2018-1 - EFFECTIVE DATE: 01 AUGUST 2018 - SUPERCEDES: BLP-2018



## BAC, BAF, BAH AIR HANDLERS

### MODEL 141

PRODUCT NUMBER	ITEM	LIST PRICE \$
<b>BAF141FH-I</b>	Fan section only - Forward Curved Fan - Horizontal - Indoor Unit - No Insulation	<b>28166</b>
<b>BAF141FH-H</b>	Fan section only - Forward Curved Fan - Horizontal - Outdoor Unit - No Insulation	<b>32391</b>
<b>BAH141FH-I</b>	Fan section & Htg coil sect. - Forward Curved Fan - Horizontal - Indoor Unit - No Insulation	<b>32256</b>
<b>BAH141FH-H</b>	Fan section & Htg coil sect. - Forward Curved Fan - Horizontal - Outdoor Unit - With Insulation	<b>36481</b>
<b>BAC141FH-I</b>	Fan section & Htg/Clg coil sect. - Forward Curved Fan - Horizontal - Indoor Unit - With Insulation	<b>33891</b>
<b>BAC141FH-H</b>	Fan section & Htg/Clg coil sect. - Forward Curved Fan - Horizontal - Outdoor Unit - With Insulation	<b>38115</b>
<b>OPTIONS AND ACCESSORIES</b>	Fan section insulation (BAF & BAH only)	<b>2488</b>
	Htg. coil section insulation (BAH only)	<b>925</b>
	Aux. Htg. coil sect. - Indoor - No Insulation (8 row max.- Horizontal only)	<b>4605</b>
	Aux. Htg. coil sect. - Indoor - With Insulation (8 row max.- Horizontal only)	<b>6562</b>
	Aux. Htg. coil sect. - Outdoor - With Insulation (8 row max.- Horizontal only)	<b>8749</b>
	Htg/Clg coil section -Horizontal - With Insulation - Indoor	<b>6936</b>
	Htg/Clg coil section -Horizontal - With Insulation - Outdoor	<b>13179</b>
	'Bolt On' Flat Filter Section - No Insulation - 2" filters Filter Qty & Size: 18 - 20x20x2	<b>2526</b>
	Flat Filter Section: Indoor - No Insulation - 2" filters Filter Qty & Size: 18 - 20x20x2	<b>5684</b>
	Flat Filter Section: Indoor - With Insulation - 2" filters Filter Qty & Size: 18 - 20x20x2	<b>6147</b>
	Flat Filter Section: Indoor - With Insulation - 4" filters Filter Qty & Size: 18 - 20x20x4	<b>6147</b>
	Flat Filter Section: Outdoor - With Insulation - 2" filters Filter Qty & Size: 18 - 20x20x2	<b>10800</b>
	Flat Filter Section: Outdoor - With Insulation - 4" filters Filter Qty & Size: 18 - 20x20x4	<b>10800</b>
	Angle Filter Section: No Insulation - Indoor - 2" filters Filter Qty & Size: 24 - 20x20x2	<b>4779</b>
	Angle Filter Section: With Insulation - Indoor - 2" filters Filter Qty & Size: 24 - 20x20x2	<b>5704</b>
	Angle Filter Section: With Insulation - Outdoor - 2" filters Filter Qty & Size: 24 - 20x20x2	<b>9080</b>
	Comb. Angle Filter Sect. with 2 dampers: Indoor - With Insulation - Filter Qty & Size: 24 - 20x20x2	<b>9420</b>
	Internal face/bypass section: Indoor - With Insulation	<b>6996</b>
	Internal face/bypass section: Outdoor - With Insulation	<b>13292</b>
	Internal bypass section (less face dampers): Indoor - With Insulation	<b>3498</b>
	Internal bypass section (less face dampers): Outdoor - With Insulation	<b>6646</b>
	External face/bypass section: Indoor - With Insulation (top bypass only)	<b>5055</b>
	External face/bypass section: Outdoor - With Insulation (top bypass only)	<b>9605</b>
	Mixing box and 2 dampers: Indoor - With Insulation	<b>8513</b>
	Mixing box less dampers: Indoor - With Insulation	<b>7522</b>
	Access sect. (20") - Indoor - With Insulation	<b>6147</b>
	Access sect. (20") - Outdoor - With Insulation	<b>10800</b>
	Fresh Air Intake Hood - Outdoor - Mesh Screen	<b>11736</b>
	Fresh Air Intake Hood - Outdoor - Aluminum Mesh Filter - Filter Qty & Size: 16 - 16x20x2 & 8 - 20x20x2	<b>8305</b>
	Internal Isolators (Consult Factory)	<b>2071</b>

#### Notes:

- Filters not included in price of any filter section or intake hood, see page 22 for filter prices
- Access section: other sizes available in 5" increments 15-50", consult factory for price

## BAC, BAF, BAH AIR HANDLERS

### MODEL 150

PRODUCT NUMBER	ITEM	LIST PRICE \$
<b>BAF150FH-I</b>	Fan section only - Forward Curved Fan - Horizontal - Indoor Unit - No Insulation	<b>34043</b>
<b>BAF150FH-H</b>	Fan section only - Forward Curved Fan - Horizontal - Outdoor Unit - No Insulation	<b>39149</b>
<b>BAH150FH-I</b>	Fan section & Htg coil sect. - Forward Curved Fan - Horizontal - Indoor Unit - No Insulation	<b>38800</b>
<b>BAH150FH-H</b>	Fan section & Htg coil sect. - Forward Curved Fan - Horizontal - Outdoor Unit - With Insulation	<b>43906</b>
<b>BAC150FH-I</b>	Fan section & Htg/Clg coil sect. - Forward Curved Fan - Horizontal - Indoor Unit - With Insulation	<b>41868</b>
<b>BAC150FH-H</b>	Fan section & Htg/Clg coil sect. - Forward Curved Fan - Horizontal - Outdoor Unit - With Insulation	<b>46975</b>
<b>OPTIONS AND ACCESSORIES</b>	Fan section insulation (BAF & BAH only)	<b>2512</b>
	Htg. coil section insulation (BAH only)	<b>1112</b>
	Aux. Htg. coil sect. - Indoor - No Insulation (8 row max.- Horizontal only)	<b>5634</b>
	Aux. Htg. coil sect. - Indoor - With Insulation (8 row max.- Horizontal only)	<b>8029</b>
	Aux. Htg. coil sect. - Outdoor - With Insulation (8 row max.- Horizontal only)	<b>10705</b>
	Htg/Clg coil section -Horizontal - With Insulation - Indoor	<b>9430</b>
	Htg/Clg coil section -Horizontal - With Insulation - Outdoor	<b>17918</b>
	"Bolt On" Flat Filter Section - No Insulation - 2" filters      Filter Qty & Size: 12 - 20x25x2, 6 - 20x20x2	<b>2831</b>
	Flat Filter Section: Indoor - No Insulation - 2" filters      Filter Qty & Size: 12 - 20x25x2, 6 - 20x20x2	<b>6369</b>
	Flat Filter Section: Indoor - With Insulation - 2" filters      Filter Qty & Size: 12 - 20x25x2, 6 - 20x20x2	<b>6925</b>
	Flat Filter Section: Indoor - With Insulation - 4" filters      Filter Qty & Size: 12 - 20x25x4, 6 - 20x20x4	<b>6925</b>
	Flat Filter Section: Outdoor - With Insulation - 2" filters      Filter Qty & Size: 12 - 20x25x2, 6 - 20x20x2	<b>12102</b>
	Flat Filter Section: Outdoor - With Insulation - 4" filters      Filter Qty & Size: 12 - 20x25x4, 6 - 20x20x4	<b>12102</b>
	Angle Filter Section: No Insulation - Indoor - 2" filters      Filter Qty & Size: 24 - 20x25x2	<b>5344</b>
	Angle Filter Section: With Insulation - Indoor - 2" filters      Filter Qty & Size: 24 - 20x25x2	<b>6456</b>
	Angle Filter Section: With Insulation - Outdoor - 2" filters      Filter Qty & Size: 24 - 20x25x2	<b>10154</b>
	Comb. Angle Filter Sect. with 2 dampers: Indoor - With Insulation - Filter Qty & Size: 24 - 20x25x2	<b>11309</b>
	Internal face/bypass section: Indoor - With Insulation	<b>8134</b>
	Internal face/bypass section: Outdoor - With Insulation	<b>15454</b>
	Internal bypass section (less face dampers): Indoor - With Insulation	<b>4067</b>
	Internal bypass section (less face dampers): Outdoor - With Insulation	<b>7727</b>
	External face/bypass section: Indoor - With Insulation (top bypass only)	<b>11198</b>
	External face/bypass section: Outdoor - With Insulation (top bypass only)	<b>21276</b>
	Mixing box and 2 dampers: Indoor - With Insulation	<b>10228</b>
	Mixing box less dampers: Indoor - With Insulation	<b>9028</b>
	Access sect. (20") - Indoor - With Insulation	<b>6925</b>
	Access sect. (20") - Outdoor - With Insulation	<b>12102</b>
	Fresh Air Intake Hood - Outdoor - Mesh Screen	<b>12015</b>
	Fresh Air Intake Hood - Outdoor - Aluminum Mesh Filter - Filter Qty & Size: 8 - 16x25x2 & 16 - 20x25x2	<b>8305</b>
	Internal Isolators (Consult Factory)	<b>2071</b>

**Notes:**

- Filters not included in price of any filter section or intake hood, see page 22 for filter prices
- Access section: other sizes available in 5" increments 15-50", consult factory for price





# 2018 Refrigeration Products Price List

BLP-2018-1 - EFFECTIVE DATE: 01 AUGUST 2018 - SUPERCEDES: BLP-2018



## BAC, BAF, BAH AIR HANDLERS

### MODEL 164

PRODUCT NUMBER	ITEM	LIST PRICE \$
<b>BAF164FH-I</b>	Fan section only - Forward Curved Fan - Horizontal - Indoor Unit - No Insulation	41636
<b>BAF164FH-H</b>	Fan section only - Forward Curved Fan - Horizontal - Outdoor Unit - No Insulation	47881
<b>BAH164FH-I</b>	Fan section & Htg coil sect. - Forward Curved Fan - Horizontal - Indoor Unit - No Insulation	46669
<b>BAH164FH-H</b>	Fan section & Htg coil sect. - Forward Curved Fan - Horizontal - Outdoor Unit - With Insulation	52914
<b>BAC164FH-I</b>	Fan section & Htg/Clg coil sect. - Forward Curved Fan - Horizontal - Indoor Unit - With Insulation	48700
<b>BAC164FH-H</b>	Fan section & Htg/Clg coil sect. - Forward Curved Fan - Horizontal - Outdoor Unit - With Insulation	54945
<b>OPTIONS AND ACCESSORIES</b>	Fan section insulation (BAF & BAH only)	2573
	Htg. coil section insulation (BAH only)	1454
	Aux. Htg. coil sect. - Indoor - No Insulation (8 row max.- Horizontal only)	6831
	Aux. Htg. coil sect. - Indoor - With Insulation (8 row max.- Horizontal only)	9733
	Aux. Htg. coil sect. - Outdoor - With Insulation (8 row max.- Horizontal only)	12978
	Htg/Clg coil section -Horizontal - With Insulation - Indoor	9063
	Htg/Clg coil section -Horizontal - With Insulation - Outdoor	17219
	'Bolt On' Flat Filter Section - No Insulation - 2" filters Filter Qty & Size: 6 - 20x25x2, 18 - 20x20x2	3237
	Flat Filter Section: Indoor - No Insulation - 2" filters Filter Qty & Size: 6 - 20x25x2, 18 - 20x20x2	7284
	Flat Filter Section: Indoor - With Insulation - 2" filters Filter Qty & Size: 6 - 20x25x2, 18 - 20x20x2	8011
	Flat Filter Section: Indoor - With Insulation - 4" filters Filter Qty & Size: 6 - 20x25x4, 18 - 20x20x4	8011
	Flat Filter Section: Outdoor - With Insulation - 2" filters Filter Qty & Size: 6 - 20x25x2, 18 - 20x20x2	13839
	Flat Filter Section: Outdoor - With Insulation - 4" filters Filter Qty & Size: 6 - 20x25x4, 18 - 20x20x4	13839
	Angle Filter Section: No Insulation - Indoor - 2" filters Filter Qty & Size: 30 - 20x25x2	6111
	Angle Filter Section: With Insulation - Indoor - 2" filters Filter Qty & Size: 30 - 20x25x2	7565
	Angle Filter Section: With Insulation - Outdoor - 2" filters Filter Qty & Size: 30 - 20x25x2	11610
	Comb. Angle Filter Sect. with 2 dampers: Indoor - With Insulation - Filter Qty & Size: 30 - 20x25x2	14058
	Internal face/bypass section: Indoor - With Insulation	9812
	Internal face/bypass section: Outdoor - With Insulation	18643
	Internal bypass section (less face dampers): Indoor - With Insulation	4906
	Internal bypass section (less face dampers): Outdoor - With Insulation	9322
	External face/bypass section: Indoor - With Insulation (top bypass only)	13460
	External face/bypass section: Outdoor - With Insulation (top bypass only)	25573
	Mixing box and 2 dampers: Indoor - With Insulation	12791
	Mixing box less dampers: Indoor - With Insulation	11295
	Access sect. (20") - Indoor - With Insulation	8011
	Access sect. (20") - Outdoor - With Insulation	13839
	Fresh Air Intake Hood - Outdoor - Mesh Screen	17729
	Fresh Air Intake Hood - Outdoor - Aluminum Mesh Filter - Filter Qty & Size: 24 - 16x25x2 & 6 - 20x25x2 & 6 - 25x25x2	12028
	Internal Isolators (Consult Factory)	2071

#### Notes:

- Filters not included in price of any filter section or intake hood, see page 22 for filter prices
- Access section: other sizes available in 5" increments 15-50", consult factory for price

## BAC, BAF, BAH AIR HANDLERS

### MODEL 182

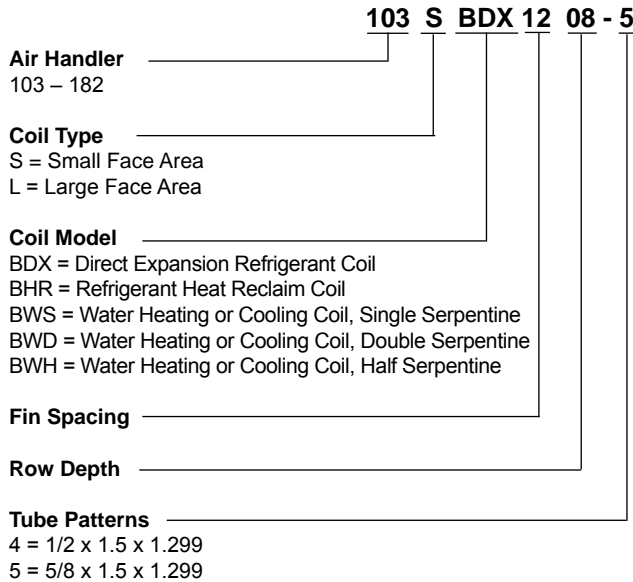
PRODUCT NUMBER	ITEM	LIST PRICE \$
<b>BAF182FH-I</b>	Fan section only - Forward Curved Fan - Horizontal - Indoor Unit - No Insulation	<b>53346</b>
<b>BAF182FH-H</b>	Fan section only - Forward Curved Fan - Horizontal - Outdoor Unit - No Insulation	<b>61348</b>
<b>BAH182FH-I</b>	Fan section & Htg coil sect. - Forward Curved Fan - Horizontal - Indoor Unit - No Insulation	<b>59795</b>
<b>BAH182FH-H</b>	Fan section & Htg coil sect. - Forward Curved Fan - Horizontal - Outdoor Unit - With Insulation	<b>67797</b>
<b>BAC182FH-I</b>	Fan section & Htg/Clg coil sect. - Forward Curved Fan - Horizontal - Indoor Unit - With Insulation	<b>62397</b>
<b>BAC182FH-H</b>	Fan section & Htg/Clg coil sect. - Forward Curved Fan - Horizontal - Outdoor Unit - With Insulation	<b>70399</b>
<b>OPTIONS AND ACCESSORIES</b>	Fan section insulation (BAF & BAH only)	<b>3296</b>
	Htg. coil section insulation (BAH only)	<b>1863</b>
	Aux. Htg. coil sect. - Indoor - No Insulation (8 row max.- Horizontal only)	<b>8752</b>
	Aux. Htg. coil sect. - Indoor - With Insulation (8 row max.- Horizontal only)	<b>12471</b>
	Aux. Htg. coil sect. - Outdoor - With Insulation (8 row max.- Horizontal only)	<b>16628</b>
	Htg/Clg coil section -Horizontal - With Insulation - Indoor	<b>11611</b>
	Htg/Clg coil section -Horizontal - With Insulation - Outdoor	<b>22062</b>
	Flat Filter Section: Indoor BAF ONLY - No Insulation - 2" filters Filter Qty & Size: 6 - 20x25x2, 18 - 20x20x2	<b>3237</b>
	Flat Filter Section: Indoor - No Insulation - 2" Filters Qty & Size: 6 - 20x25x2,18 - 20x20x2, 6 - 16x20x2,2 - 16x25x2	<b>7284</b>
	Flat Filter Section: Indoor - With Insulation - 2" Filters Qty & Size: 6 - 20x25x2,18 - 20x20x2, 6 - 16x20x2,2 - 16x25x2	<b>8215</b>
	Flat Filter Section: Indoor - With Insulation - 4" Filters Qty & Size: 6 - 20x25x4,18 - 20x20x4, 6 - 16x20x4,2 - 16x25x4	<b>8215</b>
	Flat Filter Section: Outdoor - With Insulation - 2" Filters Qty & Size: 6 - 20x25x2,18 - 20x20x2, 6 - 16x20x2,2 - 16x25x2	<b>13839</b>
	Flat Filter Section: Outdoor - With Insulation - 4" Filters Qty & Size: 6 - 20x25x4,18 - 20x20x4, 6 - 16x20x4,2 - 16x25x4	<b>13839</b>
	Angle Filter Section: No Insulation - Indoor - 2" filters Filter Qty & Size: 8 - 20x20x2 & 32- 20x25x2	<b>7829</b>
	Angle Filter Section: With Insulation - Indoor - 2" filters Filter Qty & Size: 8 - 20x20x2 & 32- 20x25x2	<b>9692</b>
	Angle Filter Section: With Insulation - Outdoor - 2" filters Filter Qty & Size: 8 - 20x20x2 & 32- 20x25x2	<b>14875</b>
	Comb. Angle Filter Sect. with 2 dampers: Indoor - With Insulation - Filter Qty & Size: 8 - 20x20x2 & 32- 20x25x2	<b>18012</b>
	Internal face/bypass section: Indoor - With Insulation	<b>12572</b>
	Internal face/bypass section: Outdoor - With Insulation	<b>23887</b>
	Internal bypass section (less face dampers): Indoor - With Insulation	<b>6286</b>
	Internal bypass section (less face dampers): Outdoor - With Insulation	<b>11943</b>
	External face/bypass section: Indoor - With Insulation (top bypass only)	<b>17245</b>
	External face/bypass section: Outdoor - With Insulation (top bypass only)	<b>32766</b>
	Mixing box and 2 dampers: Indoor - With Insulation	<b>16389</b>
	Mixing box less dampers: Indoor - With Insulation	<b>14471</b>
	Access sect. (20") - Indoor - With Insulation	<b>8215</b>
	Access sect. (20") - Outdoor - With Insulation	<b>13839</b>
	Fresh Air Intake Hood - Outdoor - Mesh Screen	<b>21832</b>
	Fresh Air Intake Hood - Outdoor - Aluminum Mesh Filter - Filter Qty & Size: 12 - 20x25x2 & 24 - 25x25x2	<b>15410</b>
	Internal Isolators (Consult Factory)	<b>2071</b>

**Notes:**

- Filters not included in price of any filter section or intake hood, see page 22 for filter prices
- Access section: other sizes available in 5" increments 15-50", consult factory for price

## BAC, BAF, BAH AIR HANDLER COILS

### NOMENCLATURE



### Coil Construction and Materials

Consult price notes in Free Standing Coil price sheets.

### Auxiliary Coil Section

Non insulated heating coil section as used on BAF models accepts coils to maximum 8 row depth.

### Heating/Cooling Coil Section (BAC Models)

Maximum 10 rows of coils depth may be accommodated in insulated coil section; provided with drain pan and male pipe thread drain fitting located on same end of unit as coil connections.

### Double Coils (Models 137 to 182)

Models 150 and 164 feature two coils on small and large face area (upper and lower coils).  
Models 141 and 137 has double coils for large face area.

Each coil is provided with individual end plates and top and bottom plates. The upper coil is "stacked" on the lower coil. Intermediate drain pans are supplied on upper cooling coils to remove condensate from the upper coil surface thus eliminating moisture carryover.

**OTHER OPTIONS AVAILABLE AT YOUR REQUEST -  
CONSULT FACTORY FOR PRICING**

### SMALL FACE AREA COILS

MODEL	COIL SIZES (FACE AREA)	FPI	ROWS DEEP							
			1	2	3	4	5	6	8	
			LIST PRICE \$							
114	1-24" x 65.5" (10.9 sq-ft)	8	2464	3266	3767	4765	5896	6724	7921	
		10	2497	3329	3862	4889	6052	6916	8175	
		12	2525	3399	3969	5029	6226	7124	8456	
117	1-24" x 80.5" (13.4 sq-ft)	8	2833	3718	4324	5511	6855	7833	9247	
		10	2873	3796	4441	5664	7050	8069	9560	
		12	2914	3878	4577	5838	7268	8327	9907	
122	1-27" x 84.5" (15.9 sq-ft)	8	3136	4217	4779	6100	7415	8787	10365	
		10	3181	4307	4919	6287	7651	9065	10740	
		12	3230	4410	5072	6493	7905	9376	11149	
128	1-27" x 107.5" (20.2 sq-ft)	8	3726	5053	5750	7426	9274	10747	12710	
		10	3786	5173	5924	7662	9571	11101	13145	
		12	3852	5308	6122	7921	9892	11491	13665	
137	1-39" x 107.5" (29.2 sq-ft)	8	4980	6934	7669	9653	12249	14442	17028	
		10	5063	7105	7923	9998	12678	14959	17712	
		12	5159	7297	8206	10371	13149	15523	18125	
141	1-42" x 107.5" (31.4 sq-ft)	8	5312	7408	8244	10200	12943	15469	18467	
		10	5414	7588	8508	10567	13405	15924	18862	
		12	5504	7790	8821	10970	13908	16531	19668	
150	1-27" x 107.5" 1-24" x 107.5" (38.0 sq-ft)	8	7215	9667	11055	14234	17801	20562	24283	
		10	7324	9889	11391	14681	18361	21260	25175	
		12	7446	10138	11757	15171	18975	21992	26154	
164	2-33" x 107.5" (49.3 sq-ft)	8	8638	11979	13040	17118	21725	25173	29677	
		10	8783	12273	13475	17699	22509	26044	30836	
		12	8939	12591	13947	18330	23244	26992	32109	
182	2-33" x 139.5" (63.9 sq-ft)	8	11210	15545	16922	22214	28192	32667	38511	
		10	11397	15926	17487	22968	29210	33796	40015	
		12	11600	16339	18099	23786	30164	35027	41667	



# 2018 Refrigeration Products Price List

BLP-2018-1 - EFFECTIVE DATE: 01 AUGUST 2018 - SUPERCEDES: BLP-2018



## BAC, BAF, BAH AIR HANDLER COILS

### LARGE FACE AREA COILS

MODEL	COIL SIZES (FACE AREA)	FPI	ROWS DEEP							
			1	2	3	4	5	6	8	
			LIST PRICE \$							
103	1-15" x 21.5" (2.3 sq-ft)	8	1008	1328	1718	2138	2459	2630	3102	
		10	1016	1338	1742	2161	2494	2672	3160	
		12	1019	1358	1761	2192	2531	2715	3218	
104	1-18" x 27.5" (3.5 sq-ft)	8	1222	1683	2073	2542	3010	3287	3872	
		10	1229	1703	2101	2579	3061	3348	3957	
		12	1238	1725	2138	2627	3115	3418	4046	
106	1-21" x 37.5" (5.5 sq-ft)	8	1629	2132	2542	3187	3824	4241	5002	
		10	1649	2163	2593	3253	3904	4341	5131	
		12	1665	2199	2645	3324	3992	4441	5275	
108	1-30" x 35.5" (7.4 sq-ft)	8	2033	2647	3024	3718	4605	5416	6397	
		10	2055	2691	3089	3810	4718	5549	6578	
		12	2076	2739	3163	3899	4834	5693	6766	
111	1-30" x 50.5" (10.6 sq-ft)	8	2440	3266	3673	4610	5750	6776	7988	
		10	2279	3326	3767	4735	5905	6967	8241	
		12	2505	3396	3871	4805	6079	7166	8510	
114	1-30" x 65.5" (13.7 sq-ft)	8	2907	3872	4348	5501	6886	8118	9577	
		10	2949	3411	4468	5657	7087	8363	9893	
		12	2994	4042	4603	5835	7310	8630	10249	
117	1-30" x 80.5" (16.8 sq-ft)	8	3314	4391	5008	6397	8880	9493	11181	
		10	3369	4489	5155	6596	9129	9793	11575	
		12	3423	4604	5326	6824	9413	10129	12024	
122	1-36" x 84.5" (21.2 sq-ft)	8	3924	5325	5845	7468	9444	10970	12940	
		10	3989	5446	6033	7718	9759	11344	13439	
		12	4057	5583	6235	7994	10101	11751	13984	
128	1-36" x 107.5" (26.9 sq-ft)	8	4646	6464	7094	9105	11556	13512	15934	
		10	4730	6619	7328	9423	11949	13990	16565	
		12	4813	6794	7588	9770	12380	14507	17258	
137	2-24" x 107.5" (35.9 sq-ft)	8	6969	9223	10614	13624	17056	19683	23225	
		10	7074	9437	10933	14046	17585	20322	24068	
		12	7186	9667	11279	14507	18163	21030	24992	
141	2-27" x 107.5" (40.4 sq-ft)	8	7457	10114	11497	14791	18544	21491	25337	
		10	7573	10347	11855	15263	20353	22199	26291	
		12	7706	10607	12242	15784	19818	22980	27330	
150	2-33" x 107.5" (49.3 sq-ft)	8	8638	11979	13040	17118	21725	25173	29677	
		10	8783	12273	13475	17699	22449	26044	30836	
		12	8939	12591	13969	18330	23244	26992	32109	
164	2-42" x 107.5" (62.8 sq-ft)	8	10661	15252	15982	20612	26407	30241	35603	
		10	10846	15622	16533	21351	27334	31344	37080	
		12	11110	16028	17137	22158	29175	32558	38715	
182	2-42" x 139.5" (81.4 sq-ft)	8	13834	19792	20740	26747	34268	39243	46202	
		10	14074	20272	21455	27706	35470	40675	48118	
		12	14417	20799	22238	28753	37860	42250	50240	



# 2018 Refrigeration Products Price List

BLP-2018-1 - EFFECTIVE DATE: 01 AUGUST 2018 - SUPERCEDES: BLP-2018



## OPTIONS AND ACCESSORIES FOR BA\* UNITS

### DRIVES AND PULLEYS

MOTOR H.P.	DESCRIPTION	LIST PRICE \$
7.5 or less	Adjustable Motor Pulley - Fixed Drive Fan Pulley	1282
10		1503
15		3431
20		6183
25		7376
30		8935
40		11431
50		18706
60		23270
75		25805
100		30876

### MOTOR AND DRIVE MOUNTING

Prior to shipment, motors and drives are installed, undergo a test run and are checked for vibration.

### SINGLE PHASE MOTORS (TEFC)

POWER	DESCRIPTION	HP	FRAME	WT (lbs)	LIST PRICE \$
115/208-230/1/60	Totally Enclosed Fan Cooled 1800 RPM, 1.15 SERVICE FACTOR Rigid Base, Ball Bearing, Manual Overload Protection, Air Over Temp. Range: -20°F to +104°F	1/3	56HC	24	1328
		1/2	56HC	26	1384
		3/4	56HC	30	1441
		1	56HC	33	1553
		1-1/2	56HC	41	1769
208-230/1/60		2	56HC	51	1956

### FRACTIONAL HORSEPOWER 3 PHASE MOTORS (TEFC)

POWER	DESCRIPTION	HP	FRAME	WT (lbs)	LIST PRICE \$
208-230/460/575	Totally Enclosed Fan Cooled 1800 RPM, 1.15 SERVICE FACTOR Rigid Base, Ball Bearing, Air Over Temp. Range: -20°F to +104°F Inverter Duty	1/3	56HC	20	1170
		1/2	56HC	23	1203
		3/4	56HC	25	1287

### LARGE 3 PHASE MOTORS (TEFC)

POWER	DESCRIPTION	HP	FRAME	WT (lbs)	LIST PRICE \$
208-230/460/575	Totally Enclosed Fan Cooled Class F Insulation, 1800 RPM, 1.15 SERVICE FACTOR, Air Over Temp. Range: -20°F to +104°F Inverter Duty	1	143T	40	1236
		1.5	145T	48	1341
		2	145T	51	1397
		3	182T	89	2016
		5	184T	101	2171
		7.5	213T	136	2960
		10	215T	160	3239
		15	254T	270	4704
		20	256T	306	5088
		25	284T	372	6675
	30	286T	387	7033	
	40	324T	521	8632	
	Totally Enclosed Fan Cooled Class F Insulation, 1200 RPM, 1.15 SERVICE FACTOR, Air Over Temp. Range: -20°F to +104°F Inverter Duty	50	326T	565	13263
		60	364T	730	16183
		75	365T	774	18454
		100	405T	1063	28677

#### Notes:

- Weights are approximate and are subject to change, drives not included.
- For air temperatures outside of this range consult factory.
- Manual reset thermal overload mounted externally on all 1 phase motors.
- NO thermal overload supplied on any 3 phase motors.
- Motor starters c/w overloads are required on all 3 phase motors (supplied and installed by others).

## OPTIONS AND ACCESSORIES FOR BA\* UNITS

### 2" FILTERS

DESCRIPTION	SIZES	LIST PRICE \$
FARR3030 Pleated Panel Filter (Throw away)	16x20x2	28
FARR3030 Pleated Panel Filter (Throw away)	16x25x2	31
FARR3030 Pleated Panel Filter (Throw away)	20x20x2	30
FARR3030 Pleated Panel Filter (Throw away)	20x25x2	34
FARR44 All Metal Impingement Type (Washable)	16x20x2	291
FARR44 All Metal Impingement Type (Washable)	16x25x2	429
FARR44 All Metal Impingement Type (Washable)	20x20x2	315
FARR44 All Metal Impingement Type (Washable)	20x25x2	354
Standard Duty Metal Frame (less filter media)	16x20x2	91
Standard Duty Metal Frame (less filter media)	16x25x2	97
Standard Duty Metal Frame (less filter media)	20x20x2	98
Standard Duty Metal Frame (less filter media)	20x25x2	104
Heavy Duty Metal Frame AAF RENU (less filter media)	16x20x2	328
Heavy Duty Metal Frame AAF RENU (less filter media)	16x25x2	337
Heavy Duty Metal Frame AAF RENU (less filter media)	20x20x2	328
Heavy Duty Metal Frame AAF RENU (less filter media)	20x25x2	346
Replaceable Filter Media FrontLine (FL) Gold	16x20x2	9
Replaceable Filter Media FrontLine (FL) Gold	16x25x2	10
Replaceable Filter Media FrontLine (FL) Gold	20x20x2	11
Replaceable Filter Media FrontLine (FL) Gold	20x25x2	12
CWA Aluminum Mesh Filter (for fresh air intake hood only)	16x20x2	121
CWA Aluminum Mesh Filter (for fresh air intake hood only)	16x25x2	131
CWA Aluminum Mesh Filter (for fresh air intake hood only)	20x20x2	131
CWA Aluminum Mesh Filter (for fresh air intake hood only)	20x25x2	141
CWA Aluminum Mesh Filter (for fresh air intake hood only)	25x25x2	334

### 4" FILTERS

DESCRIPTION	SIZES	LIST PRICE \$
FARR3030 Pleated Panel Filter	16x20x4	60
FARR3030 Pleated Panel Filter	16x25x4	72
FARR3030 Pleated Panel Filter	20x20x4	65
FARR3030 Pleated Panel Filter	20x25x4	39

### NON FUSED DISCONNECT SWITCH

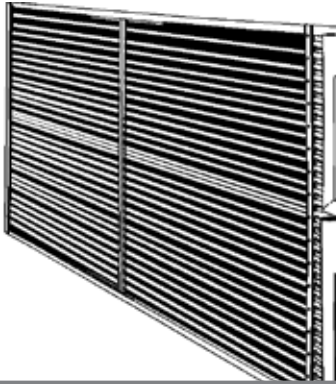
DISC SWITCH AMP SIZE	LIST PRICE \$
40	586
80	688
100	790
160	1794
200	2163

### FAN SECTION DRAIN PAN

TYPE	PRODUCT NUMBER	FAN SECTION DRAIN PAN
ALL	BAP103F	387
	BAP104F	435
	BAP106F	490
	BAP108F	511
	BAP111F	511
	BAP114F	554
	BAP117F	623
	BAP122F	674
	BAP128F	796
	BAP137F	Included
	BAP141F	Included
	BAP150F	Included
	BAP164F	Included
BAP182F	Included	

## FREE STANDING COILS

### NOMENCLATURE




 web: [www.b-rp.ca/coils](http://www.b-rp.ca/coils)  
 email: [ahu@b-rp.ca](mailto:ahu@b-rp.ca)  
 call: 1-844-893-3222 x527

**Coil Model** \_\_\_\_\_ **BDX 8 5 18 36 A --**  
 BDX = Direct Expansion Refrigerant Coil  
 BHR = Refrigerant Heat Reclaim Coil  
 BWS = Water Heating or Cooling Coil, Single Serpentine  
 BWD = Water Heating or Cooling Coil, Double Serpentine  
 BWH = Water Heating or Cooling Coil, Half Serpentine  
 BCC = Refrigerant Condensing Coil

**Fin Spacing** \_\_\_\_\_  
**Row Depth** \_\_\_\_\_  
**Fin Height (in)** \_\_\_\_\_  
**Finned Tube Length (in)** \_\_\_\_\_  
**Fin Thickness** \_\_\_\_\_  
 A = 0.0055 Aluminum      B = 0.0075 Aluminum  
 C = 0.0090" Aluminum      D = 0.0055" Copper  
**Manufacturing Option** \_\_\_\_\_

### DIRECT EXPANSION REFRIGERANT COILS, REFRIGERANT CONDENSING AND HEAT RECLAIM COILS, WATER HEATING AND COOLING COILS

**TUBES** - Coils are fabricated with seamless copper tubes with tube centres staggered in direction of air flow. Tubes are mechanically expanded into fully collared aluminum fins. No water is used in expansion process. No optional tubing is available.

Water heating coils are 4 rows deep maximum. Steam heating coils are 2 rows deep maximum

Coil Type	Tube Pattern	Tube Wall Thickness
Direct Expansion (BDX)	5/8"x1.50"x1.299"	0.018"
Condenser (BCC)	1/2"x1.50"x1.299"	0.016"
Heat Reclaim (BHR)	1/2"x1.50"x1.299"	0.016"
Water Cooling/Heating (BW)	5/8"x1.50"x1.299"	0.025"

**FIN** - Fins have a ripple pattern for increased heat transfer and to provide additional stiffness to the fin. Fully drawn collars provide an efficient thermal bond with the tubes and allow accurate fin spacing.

All coil models have standard 0.0055" thick fin material as standard with 0.0075" or 0.0090" thick fin material available as an option. See optional fin and tube price page for list adder

Fin Thickness	Fin Spacing	Fin Material
0.0055"	8 to 14 FPI	Aluminum & Copper
0.0075"	6 to 12 FPI	Aluminum
0.0090"	4.5 to 8 FPI	Aluminum

**CASINGS** - Coil casings are fabricated from G90 galvanized sheet metal. End plates are 14 to 16 gauge. Top and bottom plates are 14 to 18 gauge. Coil casings are fabricated from G90 galvanized sheet metal. End plates are 14 to 16 gauge. Top and bottom plates are 14 to 18 gauge.

Casings are provided with 1 1/2" wide flanges with 3/8" diameter mounting holes on 3" centres from the middle of the coil casing. Top and bottom plates have a double break flange to form a channel section for added rigidity and to allow "stacking" of coils. End plates are built with formed, collared tube holes to provide additional tube support. Coils over 60" finned tube length are provided with intermediate support channels across their width for additional rigidity.

Casings may be provided in materials other than galvanized steel and with dimensions other than standard dimensions. Consult options price notes for additional information

**HEADERS AND DISTRIBUTORS** - Headers are made from copper tubing provided with brazed copper end discs.

Water heating and cooling coils are provided with 1/8" F.P.T. drain and vent connections at the bottom of the supply header and the top of the return header. Supply and return connections are MPT copper fittings. It can also be provided with optional intermediate drain headers interconnected with return bends for improved coil draining.

Direct expansion coils, condensing coils and refrigerant heat reclaim coils are supplied with mitered suction and supply headers suitable for brazing to copper refrigerant line. Direct expansion coils are provided with 1/4" diameter equalizer line at the suction header.

Refrigerant distributors are factory installed. Distributors may be supplied with auxiliary side connections for hot gas defrost or capacity control as an option.

**PRESSURE TESTING AND DEHYDRATION** - BDX direct expansion coils are pressure tested at 300 PSIG under water. BCC condenser coils, BHR reheat coils and BW water cooling/heating coils are tested at 450 PSIG under water to ensure leak free coils. All coils are dried thoroughly after testing.

**CRATING** - Coils are packaged for shipment in open crating with Aspenite sheeting protecting fin surfaces on each side of the coil.

### COIL COATINGS

Bally Refrigeration offers various optional coil coatings as service to our customers. As equipment can be exposed to a variety of atmospheric conditions that are beyond Bally Refrigeration's control, customers need to decide which coating best suits their application needs. All coil coatings are sold and applied by third party suppliers and while these products can extend the life and integrity of the equipment, Bally Refrigeration cannot recommend, endorse or warrant any of these products. For more information on coil coatings, visit our website at [www.b-rp.ca/coilcoatings](http://www.b-rp.ca/coilcoatings) or contact your local Bally Refrigeration representative for assistance.



# 2018 Refrigeration Products Price List

BLP-2018-1 - EFFECTIVE DATE: 01 AUGUST 2018 - SUPERCEDES: BLP-2018



## FREE STANDING COILS

### DIRECT EXPANSION REFRIGERANT COILS, REFRIGERANT CONDENSING AND HEAT RECLAIM COILS, WATER HEATING AND COOLING COILS

#### 1 ROW DEEP

		LIST PRICE \$									
FIN HEIGHT		9"	12"	15"	18"	21"	24"	27"	30"	33"	36"
TUBES HIGH		6	8	10	12	14	16	18	20	22	24
FIN LENGTH	24"	803	968	1009	1108	1191	1399	1487	1604	1700	1799
	30"	866	1009	1108	1191	1399	1487	1604	1752	1885	1976
	36"	920	1060	1191	1341	1487	1663	3688	1936	2045	2152
	42"	1009	1143	1341	1487	1690	3688	1936	2073	2254	2436
	48"	1108	1245	1487	1604	1752	1936	2073	2209	2436	2590
	54"	1143	1341	1570	1700	1885	2073	2209	2436	2590	2767
	60"	1191	1487	1663	1802	1976	2209	2436	2590	2767	2949
	72"	1399	1604	1802	2033	2209	2487	2674	2949	3093	3270
	84"	1487	1752	2033	2258	2521	2767	3253	3521	3544	3739
96"	1663	1936	2209	2521	2767	3045	3270	3585	3828	4081	

#### 2 ROWS DEEP

		LIST PRICE \$									
FIN HEIGHT		9"	12"	15"	18"	21"	24"	27"	30"	33"	36"
TUBES HIGH		6	8	10	12	14	16	18	20	22	24
FIN LENGTH	24"	1009	1142	1338	1485	1662	1752	1933	2031	2206	2435
	30"	1108	1241	1485	1662	1802	1974	2128	2254	2487	2669
	36"	1142	1396	1602	1802	1974	2151	2286	2520	2708	2946
	42"	1241	1485	1697	1933	2151	2435	2589	2765	2983	3175
	48"	1395	1662	1884	2128	2286	2589	2765	2983	3230	3497
	54"	1485	1752	1974	2254	2520	2804	2983	3230	3540	3769
	60"	1602	1884	2089	2487	2944	2980	3175	3497	3769	4029
	72"	1769	2031	2254	2630	2946	3516	3579	3873	4193	4465
	84"	1884	2151	2589	2946	3230	3632	4012	4277	4687	5065
96"	2072	2435	2804	3174	3632	4012	4410	4796	5189	5609	

#### 3 ROWS DEEP

		LIST PRICE \$									
FIN HEIGHT		9"	12"	15"	18"	21"	24"	27"	30"	33"	36"
TUBES HIGH		6	8	10	12	14	16	18	20	22	24
FIN LENGTH	24"	1491	1600	1720	1855	1976	2115	2243	2350	2491	2607
	30"	1600	1720	1895	2025	2185	2323	2466	2607	2765	2903
	36"	1701	1855	2043	2206	2350	2537	2696	2879	3038	3188
	42"	1809	1976	2189	2384	2555	2741	2929	3157	3295	3503
	48"	1916	2115	2340	2555	2741	2953	3157	3369	3579	3800
	54"	2025	2243	2491	2724	2953	3157	3393	3623	3858	4080
	60"	2147	2350	2651	2890	3131	3369	3623	3899	4138	4371
	72"	2350	2651	2953	3247	3516	3800	4080	4371	4684	4971
	84"	2570	2890	3247	3579	3890	4222	4546	5337	5392	5559
	96"	2781	3131	3555	3909	4277	4638	5011	5401	5804	6151
	108"	2980	3386	3885	4252	4656	5052	5473	5897	6253	6655
120"	3188	3632	4200	4586	5042	5457	5936	6390	6895	7387	

#### 4 ROWS DEEP

		LIST PRICE \$									
FIN HEIGHT		9"	12"	15"	18"	21"	24"	27"	30"	33"	36"
TUBES HIGH		6	8	10	12	14	16	18	20	22	24
FIN LENGTH	24"	1833	1976	2130	2275	2448	2593	2741	2890	3051	3188
	30"	1976	2147	2323	2491	2696	2879	3042	3188	3410	3579
	36"	2115	2323	2498	2724	2953	3131	3359	3536	3769	3974
	42"	2258	2491	2696	2929	3188	3410	3646	3885	4138	4359
	48"	2384	2651	2903	3157	3458	3681	4070	4222	4473	4751
	54"	2537	2818	3098	3369	3714	3974	4258	4546	4847	5151
	60"	2651	2977	3283	3613	3948	4258	4580	4904	5206	5542
	72"	2953	3339	3681	4056	4432	4800	5188	5559	5936	6327
	84"	3076	3674	4064	4473	4928	5384	5804	6266	6657	7107
	96"	3230	3974	4454	4915	5440	5924	6420	6902	7403	7874
	108"	3772	4300	4861	5343	5953	6481	7066	7522	8148	8665
120"	4063	4699	5265	5760	6454	7020	7700	8127	8894	9433	





# 2018 Refrigeration Products Price List

BLP-2018-1 - EFFECTIVE DATE: 01 AUGUST 2018 - SUPERCEDES: BLP-2018



## FREE STANDING COILS DIRECT EXPANSION REFRIGERANT COILS, REFRIGERANT CONDENSING AND HEAT RECLAIM COILS, WATER HEATING AND COOLING COILS

5 ROWS DEEP		LIST PRICE \$									
FIN HEIGHT		9"	12"	15"	18"	21"	24"	27"	30"	33"	36"
TUBES HIGH		6	8	10	12	14	16	18	20	22	24
FIN LENGTH	24"	2025	2254	2460	2691	2907	3102	3318	3536	3752	3962
	30"	2240	2460	2651	2946	3226	3464	3715	4042	4210	4454
	36"	2394	2691	2946	3237	3536	3828	4087	3995	4699	4961
	42"	2568	2890	3226	3536	3835	4183	4478	4820	5155	5469
	48"	2750	3078	3464	3794	4179	4536	4889	5254	5628	5965
	54"	2931	3061	3715	4087	4484	4619	5271	5685	6093	6473
	60"	3102	3493	4042	4382	4820	5254	5685	6127	6574	6971
	72"	3464	3933	4454	4939	5457	5965	6069	6971	7505	7976
	84"	3794	4368	4961	5521	6093	6708	6452	7848	8445	8989
	96"	4146	4781	5709	6072	6755	7425	8042	8633	9377	10002
	108"	4513	5212	5939	6642	7399	8116	8826	9427	10337	10997
120"	4870	5634	6445	7198	8042	8853	9604	10204	11271	12007	

6 ROWS DEEP		LIST PRICE \$									
FIN HEIGHT		9"	12"	15"	18"	21"	24"	27"	30"	33"	36"
TUBES HIGH		6	8	10	12	14	16	18	20	22	24
FIN LENGTH	24"	2166	2399	2651	2912	3151	3427	3674	3910	4155	4410
	30"	2380	2641	2946	3237	3536	3852	4126	4416	4723	5011
	36"	2570	2890	3237	3575	3902	4262	4598	5155	5271	5616
	42"	2765	3131	3536	3882	4300	4699	5082	5685	5845	6212
	48"	2972	3367	3828	4252	4672	5115	5555	6191	6389	6815
	54"	3157	3615	4115	4591	5049	5555	6018	6708	6950	7425
	60"	3367	3873	4405	4915	5369	5979	6473	7208	7505	8028
	72"	3772	4368	4978	5580	6110	6815	8332	8241	8626	9222
	84"	4200	4854	5559	6252	6950	7669	8363	9273	9743	10451
	96"	4598	5344	6150	6926	7710	8518	9310	10299	10857	11643
	108"	5011	5845	6715	7603	8460	9366	10224	11335	11978	12858
120"	5409	6302	7262	8275	9212	10221	11175	12377	13097	14076	

7 ROWS DEEP		LIST PRICE \$									
FIN HEIGHT		9"	12"	15"	18"	21"	24"	27"	30"	33"	36"
TUBES HIGH		6	8	10	12	14	16	18	20	22	24
FIN LENGTH	24"	2286	2555	2829	3226	3348	3632	3886	4159	4429	4683
	30"	2503	2804	3126	3427	3745	4080	4376	5114	5008	5305
	36"	2736	3057	3427	3800	4153	4522	4881	5473	5606	5958
	42"	2935	3335	3745	4153	4563	4978	5384	6024	6191	6595
	48"	3153	3579	4056	4512	4956	5435	5884	6577	6787	7234
	54"	3367	3837	4359	4861	5366	5884	6386	7122	7601	7871
	60"	3579	4102	4668	5217	5760	6334	6880	7663	7973	8528
	72"	4013	4619	5294	5924	6577	7234	7871	8756	9157	9786
	84"	4463	5151	5911	6652	7385	8137	8866	9848	8383	11080
	96"	4881	5672	6514	7362	8189	9051	9872	10943	11530	12369
	108"	5305	6191	7150	8079	8935	9945	10851	12033	12705	13649
120"	5741	6718	7734	8785	9663	10846	14384	13133	13895	14932	

8 ROWS DEEP		LIST PRICE \$									
FIN HEIGHT		9"	12"	15"	18"	21"	24"	27"	30"	33"	36"
TUBES HIGH		6	8	10	12	14	16	18	20	22	24
FIN LENGTH	24"	2555	2829	3131	3404	3722	4029	4331	4617	4911	5708
	30"	2784	3037	3483	3825	4160	4545	4875	5217	5559	5897
	36"	3042	3401	3825	4204	4608	5035	5435	6088	6714	6611
	42"	3266	3688	4160	4608	5060	5532	5990	6690	6880	7316
	48"	3506	3974	4512	5008	5521	6031	6534	7296	7523	8036
	54"	3743	4261	4853	5409	5958	6534	7099	7904	8206	8756
	60"	3974	4563	5188	5804	6396	7039	7635	8494	8852	9468
	72"	4456	5142	5873	6591	7296	8036	8756	9721	10174	10891
	84"	4956	5719	6577	7385	7604	9051	9865	10943	11494	12312
	96"	5435	6302	7244	8178	9082	10043	10964	12158	12814	13734
	108"	5897	6880	7909	8962	9985	11049	12055	13382	14118	15160
120"	6380	7449	8602	9765	10858	12052	13508	14589	15443	16593	

## FREE STANDING COILS

### PRICING OF COILS EXCEEDING STANDARD SIZES SHOWN IN PRICE SHEETS

#### PRICE FOR COILS

##### MORE THAN EIGHT (8) ROWS

Add eight (8) rows coil price with price adder below

ROWS	10
PRICE ADDER	30%

#### COIL LENGTH GREATER THAN 120"

Extrapolation + 5% on calculated base price  
Surcharge is added to calculated base price before adding optional prices.

*Maximum allowable length for 1 to 2 row coil is 120".*

<u>Sample Calculation</u>	
Coil Size: 36"(H) x 144"(L) x 4 Rows	
144" minus 120" = 24" length difference	
<u>Description</u>	<u>List</u>
Price of 36" x 120" coil	\$9,433
Price of 36" x 96" coil	-\$7,874
24" length difference	\$1,559
Price of 36" x 120" coil	+\$9,433
	\$10,991
5% surcharge	x 1.05
<b>Total List Price</b>	<b>\$11,541</b>

#### FINNED HEIGHT

##### GREATER THAN 36" AND UP TO 60"

Extrapolation to calculate base price

<u>Sample Calculation</u>	
Coil Size: 42"(H) x 96"(L) x 4 Rows	
42" minus 36" = 6" height difference	
<u>Description</u>	<u>List</u>
Price of 36" x 96" coil	\$7,874
Price of 30" x 96" coil	-\$6,902
6" height difference	\$972
Price of 36" x 96" coil	+\$7,874
<b>Total List Price</b>	<b>\$8,846</b>

#### FINNED HEIGHT

##### GREATER THAN 60" AND UP TO 84"

Coil height exceeds 60", coil will be priced as two (2) coils of half the height dimension.

<u>Sample Calculation</u>	
Coil Size: 72"(H) x 96"(L) x 4 Rows	
72" divided by 2 = 36" half coil	
<u>Description</u>	<u>List</u>
Price of 36" x 96" coil	\$7,874
Price of 36" x 96" coil	+\$7,874
<b>Total List Price</b>	<b>\$15,748</b>

### OPTIONAL COIL CONSTRUCTION

ITEM	DESCRIPTION	LIST PRICE \$	PRICE NOTES
Option #1	<b>Intermediate drain header</b>	<b>34</b>	per linear inch of header
Option #2	<b>Header modification</b>	<b>619</b>	per coil
Option #3	<b>Multiple refrigeration circuits - Direct Expansion Coil</b>	<b>844</b>	per additional circuit
Option #3	<b>Multiple refrigeration circuits - Other Coil Type</b>	<b>227</b>	per additional circuit
Option #4	<b>Non standard flange dimensions</b>	<b>619</b>	per coil
Option #5	<b>Non standard casing depth</b>	<b>619</b>	per coil

**#1 INTERMEDIATE DRAIN HEADERS** It is practically impossible to satisfactorily drain water from a large water coil. Coil tilt and tube sag will always trap a significant amount of water. In addition standard coils drain very slowly. In cases where it is essential to drain enough water from the coils to prevent freezing of water within tubes and return bends it is advisable to provide the coil with intermediate drain headers.

A 1 1/8" O.D. header assembly is incorporated with return bends to provide positive drainage of each tube. Header assemblies are provided with a 3/8" I.D. FPT fitting and plug at top and bottom to ensure adequate drainage and venting.

Contact factory for full particulars and application of intermediate drain headers.

**#2 HEADER MODIFICATION** Additional charges for coils requiring extended horizontal connections up to a maximum of 12", changing direction of connection locations and requiring crossover connections.

**#3 MULTIPLE REFRIGERATION CIRCUITS** Additional charges for coils with more than standard number of DX refrigeration circuits are required for either face or row split, or when more than one circuit is required for condensing or heat reclaim coils.

**#4 NON STANDARD FLANGE DIMENSIONS** Additional charges for coil casing flanges other than standard 1-1/2". Coil casing may be supplied with minimum 1" to maximum 3".

**#5 NON STANDARD CASING DEPTH** Additional charges for coil casing 5" more or less than standard depth. Price addition covers either or both of coil casing modifications.



# 2018 Refrigeration Products Price List

BLP-2018-1 - EFFECTIVE DATE: 01 AUGUST 2018 - SUPERCEDES: BLP-2018



## FREE STANDING COILS

### OPTIONAL FIN AND TUBES

DESCRIPTION		FPI	WEIGHT FACTOR	PRICE ADDER
			Lbs/Ft <sup>2</sup> /Row	\$/Ft <sup>2</sup> /Row
0.0055" ALUMINUM FINS		8	+ 0.00	NO CHARGE
		10	+ 0.20	3
		12	+ 0.40	7
		14	+ 0.60	9
0.0075" ALUMINUM FINS		6	+ 0.02	1
		8	+ 0.29	5
		10	+ 0.57	8
		12	+ 0.84	12
0.0090" ALUMINUM FINS		4.5	-0.06	NO CHARGE
		6	+ 0.18	3
		8	+ 0.51	8
		10	+ 0.84	12
0.0055" GOLD COAT FINS		12	+ 1.17	17
		8	+ 0.00	12
		10	+ 0.20	16
		12	+ 0.40	19
0.0055" COPPER FINS		14	+ 0.60	24
		8	+ 1.85	CONSULT FACTORY
		10	+ 2.52	
		12	+ 3.18	
	14	+ 3.85		
BCC BHR	1/2" OD x 0.016" Copper Wall Tube		+ 0.00	NO CHARGE
	1/2" OD x 0.020" Copper Wall Tube		+ 0.71	NO CHARGE
	5/8" OD x 0.018" Copper Wall Tube		+ 0.80	NO CHARGE
	5/8" OD x 0.025" Copper Wall Tube		+ 1.10	29
	5/8" OD x 0.035" Copper Wall Tube		+ 1.52	39
BDX	5/8" OD x 0.049" Copper Wall Tube		+ 2.07	54
	5/8" OD x 0.018" Copper Wall Tube		+ 0.80	NO CHARGE
	5/8" OD x 0.025" Copper Wall Tube		+ 1.10	33
	5/8" OD x 0.035" Copper Wall Tube		+ 1.52	44
BWS BWH BWD	5/8" OD x 0.049" Copper Wall Tube		+ 2.07	61
	5/8" OD x 0.025" Copper Wall Tube		+ 1.10	NO CHARGE
	5/8" OD x 0.035" Copper Wall Tube		+ 1.52	33
	5/8" OD x 0.049" Copper Wall Tube		+ 2.07	44

### OPTIONAL FINS

Standard fin is 0.0055" aluminum with 8FPI. See below for formula to calculate price adder for optional fins and tubes.

Optional Fin List Adder \$	=	$\frac{\text{List Adder}}{(\$/\text{sq-ft}/\text{row})}$	x	$\frac{\text{Total Face Area}}{(\text{sq-ft})}$	x	Total # of Rows
Optional Fin Weight Adder (lbs)	=	$\frac{\text{Weight factor}}{(\text{lbs}/\text{sq-ft}/\text{row})}$	x	$\frac{\text{Total Face Area}}{(\text{sq-ft})}$	x	Total # of Rows

### OPTIONAL TUBING

Check tube specifications for the various refrigerant, water or steam coils to ensure that an optional tube thickness is required. Free Standing Coil price sheets are based on 1/2" OD Tube with 0.016" wall thickness.

Optional Fin List Adder \$	=	$\frac{\text{List Adder}}{(\$/\text{sq-ft}/\text{row})}$	x	$\frac{\text{Total Face Area}}{(\text{sq-ft})}$	x	Total # of Rows
Optional Tube Weight Adder (lbs)	=	$\frac{\text{Weight factor}}{(\text{lbs}/\text{sq-ft}/\text{row})}$	x	$\frac{\text{Total Face Area}}{(\text{sq-ft})}$	x	Total # of Rows


## PRODUCT SUPPORT RESOURCES


 PRODUCT SUPPORT	<p><i>web:</i> <a href="http://b-rp.ca/support">b-rp.ca/support</a> <i>email:</i> <a href="mailto:ahu@b-rp.ca">ahu@b-rp.ca</a> <i>call:</i> 1-844-893-3222 x527</p>
--	---


 TROUBLESHOOTING	<p><i>email:</i> <a href="mailto:troubleshooting@b-rp.ca">troubleshooting@b-rp.ca</a> <i>call:</i> 1-844-893-3222 x529</p>
--	--

 SERVICE PARTS	<p><i>web:</i> <a href="http://b-rp.ca/parts">b-rp.ca/parts</a> <i>email:</i> <a href="mailto:parts@b-rp.ca">parts@b-rp.ca</a> <i>call:</i> 1-844-893-3222 x527</p>
--	---

 WARRANTY	<p><i>web:</i> <a href="http://b-rp.ca/warranty">b-rp.ca/warranty</a> <i>email:</i> <a href="mailto:warranty@b-rp.ca">warranty@b-rp.ca</a> <i>call:</i> 1-844-893-3222 x501</p>
---	---

 ORDERS	<p><i>email:</i> <a href="mailto:orders@b-rp.ca">orders@b-rp.ca</a> <i>call:</i> 1-844-893-3222 x501</p>
---	--

 SHIPPING	<p><i>email:</i> <a href="mailto:shipping@b-rp.ca">shipping@b-rp.ca</a> <i>call:</i> 1-844-893-3222 x503</p>
---	--

 <b>Bally Refrigeration</b> Morehead City, NC • Brantford, ON • Longview, TX 1-800-242-2559 <a href="mailto:ballysales@ballyrefboxes.com">ballysales@ballyrefboxes.com</a> <a href="http://www.ballyrefboxes.com">www.ballyrefboxes.com</a>	DISTRIBUTED BY: <div style="border: 1px solid black; height: 100px; width: 100%;"></div>
---	---