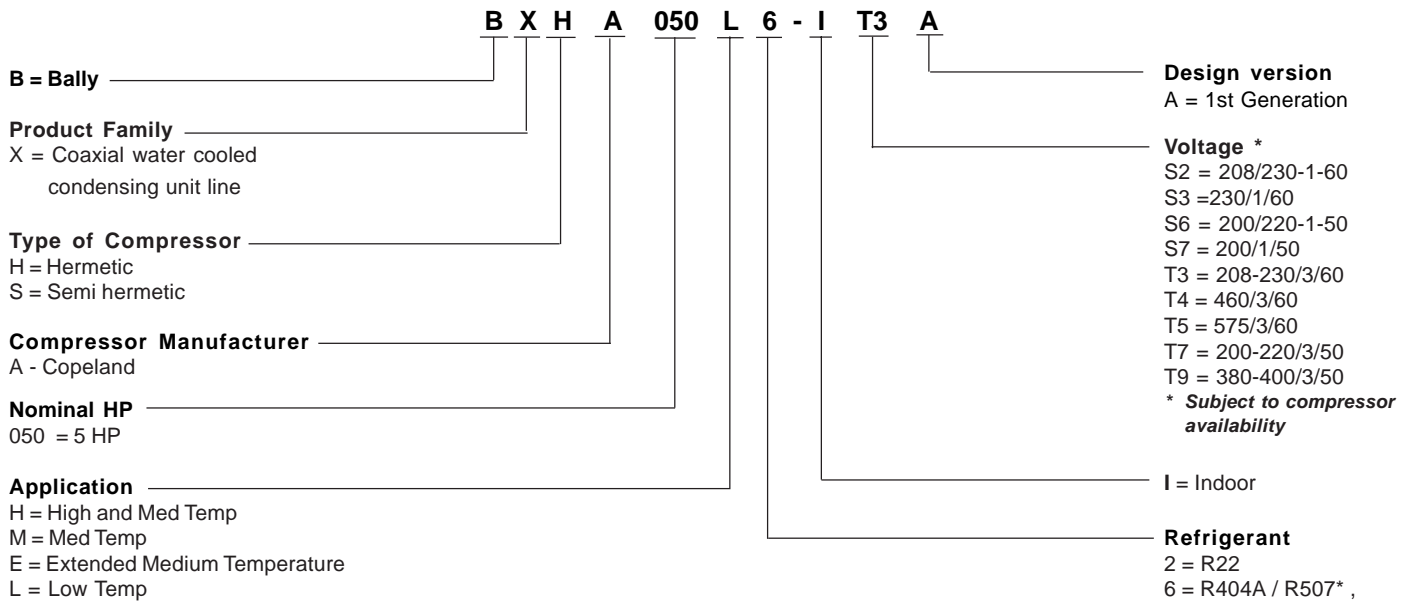


NOMENCLATURE



BXH HERMETIC CO-AXIAL WATER COOLED CONDENSING UNIT STANDARD FEATURES

- Weatherproof electrical control box with compressor contactor and fused control circuit
- Pre-formed piping
- Welded hermetic compressor
- Base valve on suction line (BXH)
- Copper tubing secured with cushion clamps
- Co-Axial condenser
- Receiver with fusible plug and liquid shut off valve
- Adjustable dual high / low pressure control
- Each Unit subjected to a thorough leak test with Helium leak-detectors
- Units are shipped with Helium holding charge

FACTORY MOUNTED OPTIONAL FEATURES

- Sealed suction filter
- Suction accumulator
- Suction accumulator with boil-out coil
- Sealed liquid line filter drier and sight glass
- Liquid line solenoid valve with 230 volt coil (shipped loose)
- Compressor circuit breaker
- Compressor time delay relay
- Pump down toggle switch
- Electric defrost kit with electronic or mechanical time clock and contactors, as required
- Lockout control circuit (for liquid solenoid valve)
- Disconnect switch (fused or non-fused)
- 3 Lead electronic phase / voltage monitor
- Water reg valve (shipped loose)

BXS SEMI-HERMETIC CO-AXIAL WATER COOLED CONDENSING UNIT STANDARD FEATURES

- Weatherproof electrical control box with compressor contactor and fused control circuit
- Pre-formed piping
- Solid mounted accessible semi-hermetic compressor up to 2 HP models
- Spring mounted accessible semi-hermetic compressor with suction and discharge vibration eliminator on 3HP and over models
- Suction service valve.
- Copper tubing secured with cushion clamps
- Co-Axial condenser
- Receiver with fusible plug and liquid shut off valve
- Adjustable dual high / low pressure control
- Each Unit subjected to a thorough leak test with Helium leak-detectors
- Units are shipped with Helium holding charge

FACTORY MOUNTED OPTIONAL FEATURES

- Spring mounted accessible compressor with suction and discharge vibration eliminator on up to 2 HP
- Suction accumulator
- Suction accumulator with boil-out coil
- Discharge line check valve
- Oil separator
- Oil separator c/w oil return filter & solenoid valve
- Receiver inlet ball valve
- Over-sized receiver
- Sealed liquid line filter drier & sight glass
- Ball valve – liquid line (shipped loose)
Insulated suction lines
- Flex hoses – for all pressure controls
- Liquid line solenoid valve (with standard 230 volt coil) – shipped loose
- Compressor circuit breaker
- Current sensing relay – for use with oil safety control (where applicable)
- Defrost heater contactor c/w fuse block
- Evaporator fan contactor c/w fuse block
- Disconnect switch
- Disconnect fusing
- Pump down toggle switch
- Lock out control circuit – Liquid solenoid valve with separate HP and LP controls
- Time delay relay for compressor
- Mechanical time clock
- Electronic time clock
- Electronic defrost kit
- Electronic voltage/phase monitor
- Water reg valve (shipped loose)



CAPACITY DATA - R22 HIGH/MEDIUM TEMPERATURE

50Hz

UNIT MODEL	COMPRESSOR MODEL		SATURATED SUCTION TEMPERATURE °C						
			-17.8	-12.2	-6.7	-3.9	-1.1	4.4	7.2
BXHA005H2	ART82C1	WATTS	770	1011	1289	1456	1640	2097	2372
		L/HR	2.2	2.7	3.5	4.0	4.8	7.1	8.8
		kPa	1.9	2.6	3.8	4.8	6.3	11.7	16.6
BXHA008H2	RS64C2	WATTS	1078	1421	1839	2074	2337	2929	3280
		L/HR	4.3	4.4	5.0	5.5	6.2	8.3	9.8
		kPa	6.6	7.1	8.7	10.1	12.1	19.1	24.9
BXHA010H2	RS70C1	WATTS	1019	1514	2071	2378	2709	3456	3866
		L/HR	4.3	4.4	5.2	6.0	6.9	9.9	12.0
		kPa	6.7	7.0	9.2	11.3	14.3	25.2	34.4
BXHA015H2	CR18KQ	WATTS	899	1784	2686	3163	3661	4774	5360
		L/HR	5.7	5.3	6.7	8.0	9.9	15.2	19.0
		kPa	2.7	2.4	3.7	5.2	7.4	15.7	23.1
BXHA020H2	CR24KQ	WATTS	1936	2686	3632	4188	4774	6092	6795
		L/HR	3.5	5.2	8.2	10.4	13.1	20.6	25.4
		kPa	2.9	3.9	6.4	8.9	12.7	27.1	39.7
BXHA025H2	CR32KQ	WATTS	2613	3749	4950	5653	6356	7967	8875
		L/HR	5.1	7.5	12.1	15.4	19.6	31.3	39.3
		kPa	3.4	5.7	11.3	16.4	23.8	51.2	75.5
BXHA030H2	CR37KQ	WATTS	2988	4276	5741	6561	7410	9314	10339
		L/HR	16.5	12.4	11.9	13.4	16.2	26.7	34.8
		kPa	11.8	6.9	6.4	8.0	11.5	27.3	42.6
BXHA035H2	CR41KQ	WATTS	3456	4774	6385	7293	8260	10427	11628
		L/HR	14.3	11.7	13.3	16.2	20.9	37.0	49.1
		kPa	9.1	6.1	7.9	11.5	18.0	47.2	76.4
BXHA040H2	CR53KQ	WATTS	4481	6297	8289	9431	10662	13532	15202
		L/HR	33.0	26.3	25.2	27.2	31.3	48.8	64.1
		kPa	26.2	18.3	17.2	19.2	24.1	52.4	87.8
BXHA050H2	CRN5-0500	WATTS	5272	7498	9900	11189	12595	15758	17545
		L/HR	14.5	17.4	24.0	29.0	35.4	53.2	65.4
		kPa	4.7	6.5	11.3	15.6	22.1	45.5	66.1

Capacity rating conditions: 29.4 °C entering water, 37.8 °C condensing, -17.8 °C subcooling



CAPACITY DATA - R404A EXTENDED MEDIUM TEMPERATURE

50Hz

UNIT MODEL	COMPRESSOR MODEL		SATURATED SUCTION TEMPERATURE °C							
			-32.1	-28.9	-23.3	-17.8	-12.2	-6.7	-3.9	-1.1
BXHA006E6	RS43C2E	WATTS	305	381	554	764	1008	1289	1444	1608
		L/HR	2.0	2.0	2.2	2.6	3.5	4.9	5.9	7.0
		kPa	1.6	1.6	1.8	2.5	3.9	6.6	8.7	11.6
BXHA008E6	RS55C2E	WATTS	390	483	709	975	1298	1675	1883	2112
		L/HR	4.9	4.7	4.3	4.3	4.6	5.5	6.2	7.2
		kPa	8.2	7.6	6.8	6.7	7.6	10.0	12.1	15.0
BXHA009E6	RS64C2E	WATTS	489	609	876	1175	1517	1907	2121	2355
		L/HR	4.5	4.3	4.3	4.6	5.3	6.7	7.7	9.0
		kPa	7.2	6.8	6.7	7.4	9.5	13.7	17.0	21.5
BXHA010E6	RS70C1E	WATTS	384	565	905	1251	1634	2103	2378	2686
		L/HR	4.9	4.5	4.3	4.5	5.4	7.2	8.5	10.3
		kPa	8.2	7.3	6.6	7.3	9.7	15.0	19.7	26.9
BXHA015E6	CS10K6E	WATTS	480	662	1119	1693	2370	3163	3573	3983
		L/HR	2.6	2.5	2.8	3.9	6.1	9.5	11.7	14.2
		kPa	2.5	2.5	2.6	3.1	4.5	7.8	10.5	14.4
BXHA020E6	CS12K6E	WATTS	639	855	1385	2036	2806	3691	4188	4686
		L/HR	2.5	2.6	3.3	5.1	8.2	13.1	16.2	19.9
		kPa	2.5	2.5	2.8	3.8	6.5	12.6	18.0	25.5
BXHA025E6	CS14K6E	WATTS	923	1160	1749	2466	3310	4276	4774	5331
		L/HR	5.1	4.8	4.8	6.0	9.0	14.1	17.5	21.6
		kPa	3.4	3.1	3.1	4.2	7.4	14.3	20.0	27.7
BXHA030E6	CS18K6E	WATTS	1107	1365	2106	3105	4276	5594	6268	6971
		L/HR	26.2	23.5	17.6	13.0	11.7	14.8	18.1	22.4
		kPa	26.3	21.9	13.3	7.6	6.1	9.7	14.0	20.3
BXHA035E6	CS20K6E	WATTS	1119	1567	2466	3456	4686	6239	7205	8289
		L/HR	25.4	21.1	15.1	11.9	12.4	19.2	26.4	37.6
		kPa	25.1	18.3	10.1	6.4	6.9	15.5	26.8	48.6
BXHA040E6	CS27K3E	WATTS	1687	2103	3134	4423	6004	7967	9051	10252
		L/HR	49.0	44.3	34.9	27.5	24.9	30.1	36.6	46.2
		kPa	52.7	43.8	28.8	19.6	16.9	22.6	31.2	47.4
BXHA050E6	CS33K3E	WATTS	2039	2636	3925	5507	7410	9666	10984	12390
		L/HR	18.2	17.3	16.8	18.2	22.6	31.3	37.7	45.8
		kPa	3.0	2.5	2.2	3.0	5.7	11.6	16.7	23.9

Capacity rating conditions: 29.4 °C entering water, 37.8 °C condensing, -17.8 °C subcooling



CAPACITY DATA R404A - LOW TEMPERATURE

50Hz

UNIT MODEL	COMPRESSOR MODEL		SATURATED SUCTION TEMPERATURE °C					
			-34.4	-28.9	-23.3	-17.8	-12.2	-9.4
BXHA006L6	AFT22C1E	WATTS	N/A	463	618	811	1078	1245
		L/HR		2.6	2.7	3.5	5.3	6.9
		kPa		2.5	2.6	3.1	5.4	8.6
BXHA008L6	AFT26C1E	WATTS	N/A	580	785	1052	1400	1605
		L/HR		2.7	3.4	5.2	9.1	12.3
		kPa		2.6	3.1	5.3	14.8	27.5
BXHA010L6	CF04K6E	WATTS	507	873	1298	1854	2613	N/A
		L/HR	2.1	2.7	4.3	7.4	13.3	
		kPa	1.7	2.6	5.3	12.6	33.2	
BXHA020L6	CF06K6E	WATTS	893	1397	2033	2783	3632	N/A
		L/HR	4.3	4.6	6.3	9.8	15.4	
		kPa	6.6	7.5	12.2	24.9	52.5	
BXHA025L6	CF09K6E	WATTS	1421	2150	3017	4071	5272	N/A
		L/HR	5.3	6.8	10.7	17.6	28.4	
		kPa	2.4	3.9	8.5	20.2	47.2	
BXHA030L6	CF12K6E	WATTS	1916	2856	3896	5155	6678	N/A
		L/HR	4.6	8.3	14.3	23.7	37.9	
		kPa	3.5	6.5	14.6	34.9	83.7	

Capacity rating conditions: 29.4 °C entering water, 37.8 °C condensing, -17.8 °C subcooling

UNIT MODEL	COMPRESSOR MODEL		SATURATED SUCTION TEMPERATURE °C						
			-17.8	-12.2	-6.7	-3.9	-1.1	4.4	7.2
BXSA005H2	HAG2-0050	WATTS	536	706	920	1043	1180	1488	1664
		L/HR	2.7	2.6	3.0	3.4	4.0	5.8	7.2
		kPa	2.5	2.5	2.8	3.0	3.6	6.3	9.3
BXSA008H2	KAN2-0075	WATTS	885	1172	1526	1728	1951	2440	2733
		L/HR	2.3	2.8	3.9	4.6	5.5	8.0	9.6
		kPa	2.0	2.8	4.5	5.9	7.9	14.3	19.3
BXSA010H2	KAR2-0100	WATTS	1268	1664	2150	2428	2733	3398	3749
		L/HR	4.3	4.6	5.4	6.2	7.1	9.9	11.7
		kPa	6.7	7.4	9.8	11.9	15.0	25.2	33.4
BXSA015H2	KAGB-0150	WATTS	1529	1986	2586	2958	3339	4188	4657
		L/HR	4.5	5.3	6.9	8.2	9.8	14.4	17.4
		kPa	7.2	9.3	14.3	18.7	25.0	46.9	64.7
BXSA020H2	KAKB-0200	WATTS	2097	2832	3661	4101	4599	5712	6327
		L/HR	5.8	7.6	10.7	12.9	15.5	22.9	27.8
		kPa	2.9	4.7	8.5	11.7	16.3	32.1	45.6
BXSA030H2	ERF1-0310	WATTS	N/A	4716	6092	6883	7733	9636	10720
		L/HR		11.6	13.0	15.2	18.9	31.1	40.4
		kPa		6.1	7.5	10.2	15.0	35.4	54.9
BXSA040H2	NRB2-0400	WATTS	N/A	6239	8348	9549	10808	13708	15348
		L/HR		26.0	25.5	28.0	32.9	51.3	66.0
		kPa		18.0	17.5	20.1	26.0	57.5	92.9

R22 - MEDIUM TEMPERATURE

UNIT MODEL	COMPRESSOR MODEL		SATURATED SUCTION TEMPERATURE °C							
			-20.6	-17.8	-14.5	-12.2	-9.4	-6.7	-3.9	-1.1
BXSA005M2	HAJ1-0050	WATTS	530	615	709	808	917	1040	1172	N/A
		L/HR	2.7	2.6	2.6	2.8	3.0	3.4	4.0	
		kPa	2.5	2.5	2.5	2.6	2.7	3.1	3.6	
BXSA008M2	KAE2-0075	WATTS	882	1019	1166	1327	1503	1699	1921	N/A
		L/HR	2.4	2.7	3.1	3.6	4.3	5.1	6.2	
		kPa	2.2	2.6	3.3	4.1	5.3	7.0	9.5	
BXSA010M2	KAM2-0100	WATTS	N/A	1371	1602	1854	2124	2416	2733	3075
		L/HR		4.3	4.4	4.7	5.2	5.9	6.8	8.0
		kPa		6.7	7.1	7.9	9.2	11.1	14.0	18.1
BXSA021M2	ERC1-0200	WATTS	1957	2279	2636	3075	3544	4042	4628	N/A
		L/HR	3.7	4.4	5.4	6.7	8.3	10.4	13.2	
		kPa	3.0	3.4	4.0	5.0	6.6	9.0	12.7	
BXSA030M2	3RA1-0310	WATTS	N/A	N/A	4921	5624	6356	7147	8025	N/A
		L/HR			11.6	12.5	14.4	17.5	22.1	
		kPa			6.1	7.0	9.2	13.2	19.8	
BXSA050M2	NRM1-0500	WATTS	N/A	N/A	8260	9344	10603	11950	13415	N/A
		L/HR			20.8	23.3	26.8	31.5	37.5	
		kPa			4.5	6.1	8.4	11.7	16.5	

Capacity rating conditions: 29.4 °C entering water, 37.8 °C condensing, -17.8 °C subcooling

UNIT MODEL	COMPRESSOR MODEL		SATURATED SUCTION TEMPERATURE °C						
			-20.6	-17.8	-14.5	-12.2	-9.4	-6.7	-3.9
BXSA005M6	HAJA-005E	WATTS	574	662	753	846	952	1075	1213
		L/HR	2.6	2.6	2.8	3.0	3.3	3.9	4.6
		kPa	2.5	2.5	2.6	2.7	3.0	3.5	4.4
BXSA010M6	KARB-010E	WATTS	1189	1353	1544	1752	1971	2191	2411
		L/HR	4.3	4.4	4.6	4.9	5.3	5.9	6.5
		kPa	6.7	6.9	7.4	8.2	9.4	11.0	12.9
BXSA020M6	KAKA-020E	WATTS	1933	2179	2490	2832	3193	3603	4013
		L/HR	5.7	6.1	6.8	7.8	9.2	10.9	12.8
		kPa	2.7	3.1	3.8	4.9	6.5	8.8	11.6
BXSA021M6	ERCA-021E	WATTS	2346	2733	3134	3573	4013	4511	5067
		L/HR	5.0	6.2	7.6	9.3	11.5	14.0	17.1
		kPa	3.8	4.6	5.9	7.7	10.3	14.1	19.7
BXSA030M6	ERFA-031E	WATTS	3486	401	4540	5155	5799	6532	7323
		L/HR	13.3	12.2	11.6	11.7	12.7	14.5	17.6
		kPa	8.0	6.7	6.1	6.2	7.2	9.4	13.3
BXSA035M6	3RAA-031E	WATTS	3925	4599	5331	6092	6971	7938	8963
		L/HR	12.0	11.6	12.3	14.3	17.8	23.2	30.8
		kPa	6.4	6.0	6.8	9.1	13.5	21.4	34.7
BXSA040M6	NRB2-040E	WATTS	4452	5214	6034	6942	7879	8963	10134
		L/HR	30.8	27.8	25.8	24.9	25.4	27.5	31.6
		kPa	23.4	19.9	17.7	16.9	17.4	19.6	24.5

R404A - LOW TEMPERATURE

UNIT MODEL	COMPRESSOR MODEL		SATURATED SUCTION TEMPERATURE °C					
			-40.0	-34.4	-28.9	-26.1	-23.3	-17.8
BXSA005L6	KANB-005E	WATTS	179	302	466	565	671	914
		L/HR	3.8	3.1	2.7	2.6	2.7	3.4
		kPa	3.4	2.8	2.5	2.5	2.5	3.0
BXSA008L6	KAMB-007E	WATTS	428	577	811	955	1110	1450
		L/HR	2.6	2.7	3.4	4.2	5.3	8.7
		kPa	2.5	2.5	3.0	3.8	5.4	13.5
BXSA010L6	KAJB-010E	WATTS	539	788	1093	1271	1467	1918
		L/HR	2.1	2.5	3.4	4.1	5.1	7.8
		kPa	1.7	2.3	3.8	5.0	6.9	13.6
BXSA015L6	KALB-015E	WATTS	797	1180	1634	1898	2185	2856
		L/HR	4.3	4.4	5.2	6.0	7.0	10.3
		kPa	6.6	7.0	9.2	11.4	14.7	26.8
BXSA020L6	EADB-021E	WATTS	873	1280	1825	2153	2513	3368
		L/HR	4.3	4.6	5.8	7.0	8.7	14.1
		kPa	6.6	7.4	10.9	14.6	20.6	45.2
BXSA021L6	EAVB-021E	WATTS	1043	1547	2150	2490	2879	3749
		L/HR	5.2	5.6	7.0	8.1	9.7	14.6
		kPa	2.3	2.7	4.0	5.3	7.2	14.5
BXSA030L6	LAHA-032E	WATTS	1382	2229	3310	3925	4628	6122
		L/HR	3.3	5.5	10.3	13.9	18.4	30.9
		kPa	2.8	4.1	8.8	13.8	22.4	56.9
BXSA031L6	NRD1-032E	WATTS	1866	2929	4042	4686	5360	7030
		L/HR	19.1	13.3	11.6	12.2	14.0	22.7
		kPa	15.3	8.0	6.0	6.7	8.8	20.7
BXSA032L6	LACA-032E	WATTS	1986	2988	4188	N/A	N/A	N/A
		L/HR	19.2	14.0	11.6			
		kPa	15.6	8.7	6.0			

Capacity rating conditions: 29.4 °C entering water, 37.8 °C condensing, -17.8 °C subcooling



ELECTRICAL DATA R22 MODELS

50Hz

UNIT MODEL	ELECTRICAL CODE	COMPRESSOR MODEL	POWER SUPPLY	COMPRESSOR		UNIT	
				RLA	LRA	MCA	MOP
BXHA005H2	S7	ART82C1-CAV	200/1/50	5.3	30	6.6	15
BXHA008H2	S7	RS64C2-CAV	200/1/50	6.9	37	8.6	15
BXHA010H2	S7	RS70C1-PFV	200/1/50	6.3	34.2	7.9	15
	T7	RS70C1-TFC	200-220/3/50	4.2	31	5.3	15
BXHA015H2	S7	CR18KQ-PFV	200/1/50	8.1	41	10.1	15
	T7	CR18KQ-TF5	200-220/3/50	5.4	49	6.8	15
BXHA020H2	S7	CR24KQ-PFV	200/1/50	12.2	70.5	15.2	25
	T7	CR24KQ-TF5	200-220/3/50	6.7	51	8.4	15
	T9	CR24KQ-TFD	380-400/3/50	3.3	25	4.2	15
BXHA025H2	S7	CR32KQ-PFV	200/1/50	15.3	83	19.1	30
	T7	CR32KQ-TF5	200-220/3/50	8.8	63	11.1	15
	T9	CR32KQ-TFD	380-400/3/50	4.6	32	5.7	15
BXHA030H2	S7	CR37KQ-PFV	200/1/50	16.7	100	20.8	35
	T7	CR37KQ-TF5	200-220/3/50	9.9	85	12.4	20
	T9	CR37KQ-TFD	380-400/3/50	5.0	39	6.3	15
BXHA035H2	S7	CR41KQ-PFV	200/1/50	17.4	110	21.7	35
	T7	CR41KQ-TF5	200-220/3/50	11.8	80	14.7	25
	T9	CR41KQ-TFD	380-400/3/50	5.3	42	6.7	15
BXHA040H2	S7	CR53KQ-PFV	200/1/50	26.0	140	32.5	50
	T7	CR53KQ-TF5	200-220/3/50	16.3	107	20.4	35
	T9	CR53KQ-TFD	380-400/3/50	8.1	55	10.2	15
BXHA050H2	S7	CRN5-0500-PFV	200/1/50	30.8	142	38.5	60
	T7	CRN5-0500-TF5	200-220/3/50	19.2	130	24.0	40
	T9	CRN5-0500-TFD	380-400/3/50	8.7	65	10.8	15

NOTE: Above listed RLA value conforms to UL rating method and may differ from other published compressor RLA data



ELECTRICAL DATA R404A MODELS

50Hz

UNIT MODEL	ELECTRICAL CODE	COMPRESSOR MODEL	POWER SUPPLY	COMPRESSOR		UNIT	
				RLA	LRA	MCA	MOP
BXHA006E6	S7	RS43C2E-CAV	200/1/50	4.8	24.1	6.0	15
BXHA008E6	S7	RS55C2E-CAV	200/1/50	5.4	40	6.8	15
BXHA009E6	S7	RS64C2E-CAV	200/1/50	6.9	37	8.7	15
BXHA010E6	S7	RS70C1E-PFV	200/1/50	6.3	34.2	7.9	15
	T7	RS70C1E-TFC	200-220/3/50	4.2	31	5.3	15
BXHA015E6	S7	CS10K6E-PFV	200/1/50	9.8	56	12.3	20
	T7	CS10K6E-TF5	200-220/3/50	6.7	51	8.4	15
	T9	CS10K6E-TFD	380-400/3/50	3.2	25	4.0	15
BXHA020E6	S7	CS12K6E-PFV	200/1/50	9.8	56	12.3	20
	T7	CS12K6E-TF5	200-220/3/50	6.7	51	8.4	15
BXHA025E6	S7	CS14K6E-PFV	200/1/50	11.2	61	14.0	25
	T7	CS14K6E-TF5	200-220/3/50	8.2	55	10.3	15
	T9	CS14K6E-TFD	380-400/3/50	4.2	28	5.3	15
BXHA030E6	S7	CS18K6E-PFV	200/1/50	14.4	82	17.9	30
	T7	CS18K6E-TF5	200-220/3/50	7.9	65.5	9.9	15
	T9	CS18K6E-TFD	380-400/3/50	4.2	33	5.3	15
BXHA035E6	S7	CS20K6E-PFV	200/1/50	16.7	96	20.8	35
	T7	CS20K6E-TF5	200-220/3/50	10.2	75	12.8	20
	T9	CS20K6E-TFD	380-400/3/50	4.6	40	5.7	15
BXHA040E6	S7	CS27K6E-PFV	200/1/50	21.5	95.4	26.8	45
	T7	CS27K6E-TF5	200-220/3/50	14.0	82	17.5	30
	T9	CS27K6E-TFD	380-400/3/50	7.6	41	9.5	15
BXHA050E6	S7	CS33K6E-PFV	200/1/50	27.6	125	34.5	60
BXHA006L6	S7	AFT22C1E-CFV	200/1/50	3.3	32.5	4.2	15
BXHA008L6	S7	AFT26C1E-CFV	200/1/50	4.1	32.2	5.2	15
BXHA010L6	S7	CF04K6E-PFV	200/1/50	9.9	59.2	12.4	20
	T7	CF04K6E-TF5	200-220/3/50	6.1	52	7.6	15
BXHA020L6	S7	CF06K6E-PFV	200/1/50	10.3	59.2	12.8	20
	T7	CF06K6E-TF5	200-220/3/50	6.3	52	7.9	15
BXHA025L6	S7	CF09K6E-PFV	200/1/50	15.0	87	18.8	30
	T7	CF09K6E-TF5	200-220/3/50	9.2	72.2	11.5	20
	T9	CF09K6E-TFD	380-400/3/50	4.9	35.8	6.2	15
BXHA030L6	S7	CF12K6E-PFV	200/1/50	18.4	105	23.0	40
	T7	CF12K6E-TF5	200-220/3/50	11.0	85	13.8	20
	T9	CF12K6E-TFD	380-400/3/50	5.9	42	7.4	15

NOTE: Above listed RLA value conforms to UL rating method and may differ from other published compressor RLA data

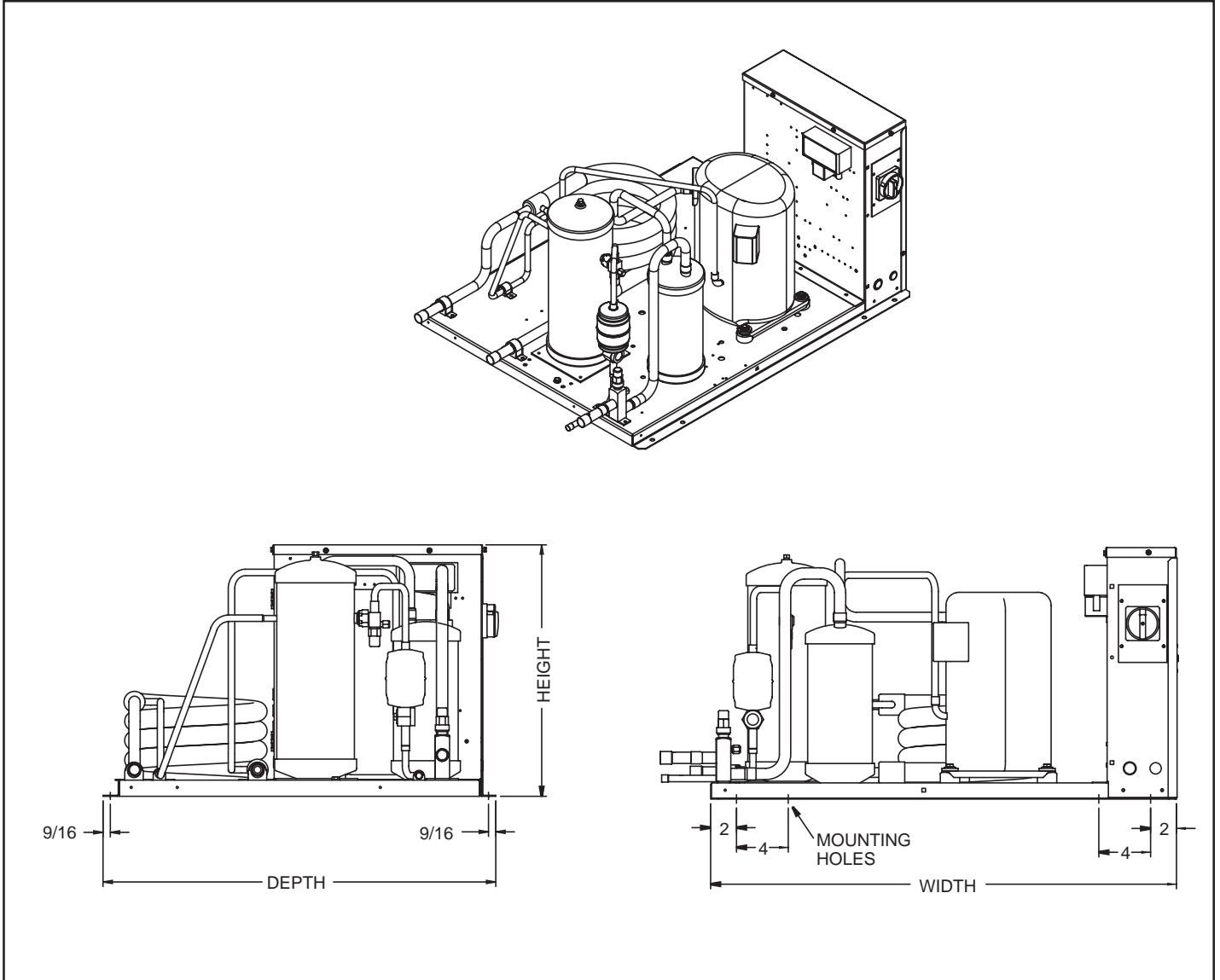
UNIT MODEL	ELECTRICAL CODE	COMPRESSOR MODEL	POWER SUPPLY	COMPRESSOR		UNIT	
				RLA	LRA	MCA	MOP
BXSA005H2	S6	HAG2-0050-CAV	200-220/1/50	4	22	5.0	15
	T7	HAG1-0050-TAC	200-220/3/50	2.4	13	3.0	15
BXSA008H2	S6	KAN2-0075-CAV	200-220/1/50	6.1	36	7.6	15
	T7	KAN1-0075-TAC	200-220/3/50	3.5	19.9	4.4	15
BXSA010H2	S6	KAR2-0100-CAV	200-220/1/50	7.4	40	9.3	15
	T7	KAR1-0100-TAC	200-220/3/50	4.3	27	5.4	15
BXSA015H2	S6	KAGB-0150-CAV	200-220/1/50	9.6	55	12.0	20
	T7	KAGA-0150-TAC	200-220/3/50	5.5	35.5	6.9	15
	T9	KAGA-0150-TAD	380-400/3/50	2.5	18.2	3.1	15
BXSA020H2	S6	KAKB-0200-CAV	200-220/1/50	10.6	55	13.3	20
	T7	KAKA-0200-TAC	200-220/3/50	6.8	50	8.5	15
	T9	KAKA-0200-TAD	380-400/3/50	3	25	3.8	15
BXSA030H2	S7	ERF2-0310-CABN20	200/1/50	17	86	21.3	35
	T7	ERF1-0310-TAC	200-220/3/50	11.7	82	14.6	25
	T9	ERF1-0310-TAD	380-400/3/50	6.4	41	8.0	15
BXSA040H2	T7	NRB2-0400-TFC	200-220/3/50	21.8	141	27.3	45
	T9	NRB2-0400-TFD	380-400/3/50	11.3	62.5	14.1	25
BXSA005M2	S6	HAJ2-0050-CAV	200-220/1/50	3.7	22	4.6	15
	T7	HAJ1-0050-TAC	200-220/3/50	2.2	13	2.8	15
BXSA008M2	S6	KAE2-0075-CAV	200-220/1/50	5.4	36	6.8	15
	T7	KAE1-0075-TAC	200-220/3/50	3.4	19.9	4.3	15
BXSA010M2	S6	KAM2-0100-CAV	200-220/1/50	7.5	40	9.4	15
	T7	KAM1-0100-TAC	200-220/3/50	4.5	27	5.6	15
BXSA021M2	S7	ERC2-0200-CABN20	200/1/50	10.9	58	13.6	20
	T7	ERC1-0200-TAC	200-220/3/50	6.8	46	8.5	15
	T9	ERC1-0200-TAD	380-400/3/50	3.6	23	4.5	15
BXSA030M2	S7	3RA2-0310-CABN20	200/1/50	17.8	86	22.3	40
	T7	3RA1-0310-TAC	200-220/3/50	13.1	82	16.4	25
	T9	3RA1-0310-TAD	380-400/3/50	6.6	41	8.3	15
BXSA050M2	T7	NRM1-0500-TFC	200-220/3/50	24.3	141	30.4	50
	T9	NRM1-0500-TFD	380-400/3/50	12.1	62.5	15.1	25

NOTE: Above listed RLA value conforms to UL rating method and may differ from other published compressor RLA data

UNIT MODEL	ELECTRICAL CODE	COMPRESSOR MODEL	POWER SUPPLY	COMPRESSOR		UNIT	
				RLA	LRA	MCA	MOP
BXSA005M6	S6	HAJB-005E-CAV	200-220/1/50	3.7	22	4.6	15
	T7	HAJA-005E-TAC	200-220/3/50	2.2	13	2.8	15
BXSA010M6	S6	KARB-010E-CAV	200-220/1/50	7.4	40	9.3	15
	T7	KARA-010E-TAC	200-220/3/50	4.3	27	5.4	15
BXSA020M6	S6	KAKB-021E-CAV	200-220/1/50	10.6	55	13.3	20
	T7	KAKA-020E-TAC	200-220/3/50	6.8	50	8.5	15
	T9	KAKA-022E-TAD	380-400/3/50	3	25	3.8	15
BXSA021M6	T7	ERCA-021E-TAC	200-220/3/50	8.8	46	11.0	15
	T9	ERCA-020E-TAD	380-400/3/50	3.5	23	4.4	15
BXSA030M6	S7	ERFB-031E-CABN20	200/1/50	17	86	21.3	35
	T7	ERFA-031E-TAC	200-220/3/50	12.4	82	15.5	25
	T9	ERFA-031E-TAD	380-400/3/50	5.8	41	7.3	15
BXSA035M6	T7	3RAA-031E-TAC	200-220/3/50	14.2	82	17.8	30
	T9	3RAA-031E-TAD	380-400/3/50	6.3	41	7.9	15
BXSA040M6	T7	NRB2-040E-TFC	200-220/3/50	21.8	141	27.3	45
	T9	NRB2-040E-TFD	380-400/3/50	9	62.5	11.3	20
BXSA005L6	S6	KANB-005E-CAV	200-220/1/50	3.6	24	4.5	15
	T7	KANA-006E-TAC	200-220/3/50	2.2	13.2	2.8	15
BXSA008L6	S6	KAMB-007E-CAV	200-220/1/50	5.6	36	7.0	15
	T7	KAMA-007E-TAC	200-220/3/50	3.2	19.9	4.0	15
BXSA010L6	S6	KAJB-010E-CAV	200-220/1/50	6.9	40	8.6	15
	T7	KAJA-011E-TAC	208-230/3/60	4.6	27	5.8	15
BXSA015L6	S6	KALB-015E-CAV	200-220/1/50	9.9	55	12.4	20
	T7	KALA-016E-TAC	200-220/3/50	6.6	50	8.3	15
	T9	KALA-016E-TAD	380-400/3/50	3.4	25	4.3	15
BXSA020L6	S7	EADB-021E-CABN20	200/1/50	10	58	12.5	20
	T7	EADA-020E-TAC	200-220/3/50	6.8	46	8.5	15
BXSA021L6	S6	EAVB-021E-CAV	200-220/1/50	14.7	102	18.4	30
	T7	EAVA-021E-TAC	200-220/3/50	7.4	50	9.3	15
	T9	EAVA-021E-TAD	380-400/3/50	3.9	26.6	4.9	15
BXSA030L6	S7	LAHB-032E-CABN20	200/1/50	16.7	105	20.9	35
	T7	LAHB-032E-TAC	200-220/3/50	12.8	112	16.0	25
	T9	LAHB-032E-TAD	380-400/3/50	6	56	7.5	15
BXSA031L6	S7	NRD1-032E-CFBN20	200/1/50	27.7	115	34.6	60
	T7	NRD1-032E-TFC	200-220/3/50	16.3	82	20.4	35
	T9	NRD1-032E-TFD	380-400/3/50	8.4	41	10.5	15
BXSA032L6	S7	LACB-032E-CABN20	200/1/50	15.5	105	19.4	30
	T7	LACB-032E-TAC	200-220/3/50	12.8	112	16.0	25
	T9	LACB-032E-TAD	380-400/3/50	6	56	7.5	15

NOTE: Above listed RLA value conforms to UL rating method and may differ from other published compressor RLA data

DIMENSIONAL DATA



UNIT MODEL RANGE	DIMENSIONS - INCHES (MM)		
	W	D	H
005 to 020L	24 7/8 (631)	30 3/8 (771)	16 1/2 (419)
020M&H to 030L	36 3/8 (924)	30 3/8 (771)	19 1/2 (495)
030M&H to 050	47 3/8 (1203)	32 7/8 (835)	30 (762)



SPECIFICATIONS

UNIT MODEL	FIELD CONNECTIONS - INCHES (MM)		REC @ 90%	SHIPPING WEIGHT - LBS (KG)
	SUCTION	LIQUID		
BXHA005H2	1/2 (13)	3/8 (10)	6.0	110 (50)
BXHA008H2	5/8 (16)	3/8 (10)	6.0	120 (54)
BXHA010H2	5/8 (16)	3/8 (10)	6.0	140 (64)
BXHA015H2	5/8 (16)	3/8 (10)	12.5	240 (109)
BXHA020H2	5/8 (16)	3/8 (10)	12.5	240 (109)
BXHA025H2	7/8 (22)	3/8 (10)	16.0	250 (113)
BXHA030H2	7/8 (22)	1/2 (13)	24.0	330 (150)
BXHA035H2	7/8 (22)	1/2 (13)	24.0	330 (150)
BXHA040H2	1 1/8 (29)	1/2 (13)	24.0	340 (154)
BXHA050H2	1 1/8 (29)	1/2 (13)	24.0	350 (159)
BXHA006E6	5/8 (16)	3/8 (10)	5.4	120 (54)
BXHA008E6	5/8 (16)	3/8 (10)	5.4	120 (54)
BXHA009E6	5/8 (16)	3/8 (10)	5.4	120 (54)
BXHA010E6	5/8 (16)	3/8 (10)	5.4	140 (64)
BXHA015E6	5/8 (16)	3/8 (10)	11.3	240 (109)
BXHA020E6	5/8 (16)	3/8 (10)	11.3	240 (109)
BXHA025E6	7/8 (22)	1/2 (13)	14.4	240 (109)
BXHA030E6	7/8 (22)	1/2 (13)	21.5	320 (145)
BXHA035E6	7/8 (22)	1/2 (13)	21.5	320 (145)
BXHA040E6	7/8 (22)	1/2 (13)	21.5	320 (145)
BXHA050E6	7/8 (22)	1/2 (13)	21.5	330 (150)
BXHA006L6	1/2 (13)	3/8 (10)	5.4	110 (50)
BXHA008L6	5/8 (16)	3/8 (10)	5.4	160 (73)
BXHA010L6	7/8 (22)	3/8 (10)	5.4	160 (73)
BXHA020L6	7/8 (22)	3/8 (10)	5.4	160 (73)
BXHA025L6	7/8 (22)	3/8 (10)	11.3	240 (109)
BXHA030L6	7/8 (22)	1/2 (13)	14.4	250 (113)

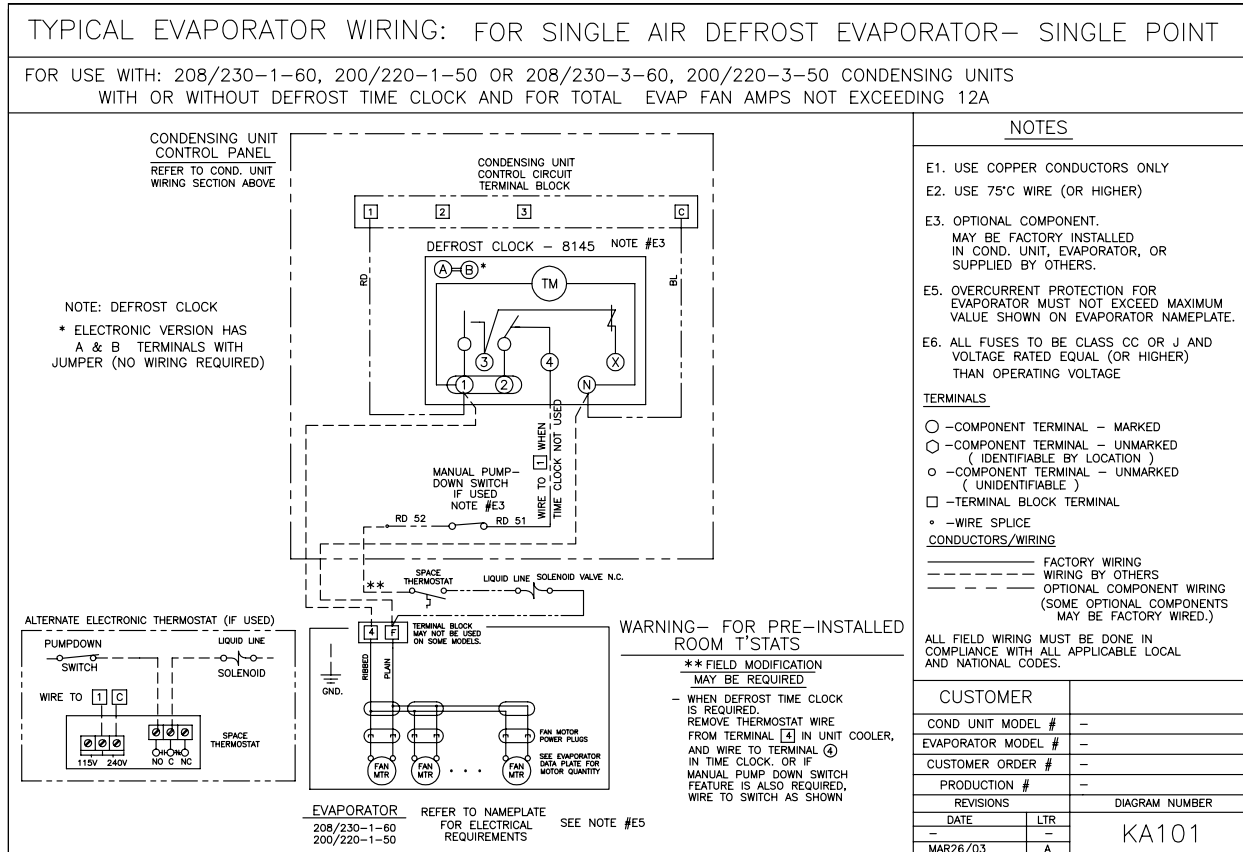
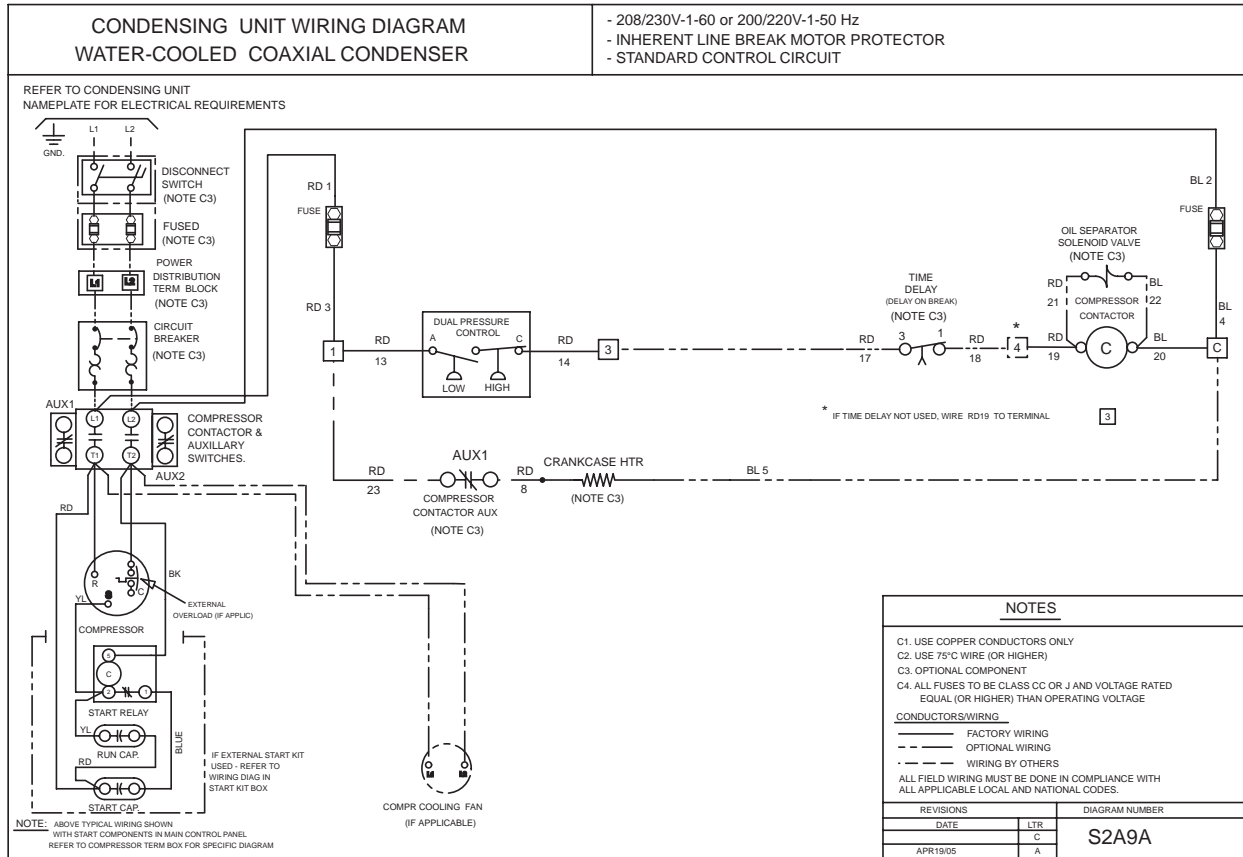


SPECIFICATIONS

UNIT MODEL	FIELD CONNECTIONS - INCHES (MM)		REC @ 90%	SHIPPING WEIGHT - LBS (KG)
	SUCTION	LIQUID		
BXSA005H2	1/2 (13)	3/8 (10)	6	190 (86)
BXSA008H2	1/2 (13)	3/8 (10)	6	220 (100)
BXSA010H2	5/8 (16)	3/8 (10)	6	240 (109)
BXSA015H2	7/8 (22)	3/8 (10)	16	280 (127)
BXSA020H2	7/8 (22)	1/2 (13)	16	290 (132)
BXSA030H2	1 1/8 (29)	1/2 (13)	25	410 (186)
BXSA040H2	1 1/8 (29)	5/8 (16)	25	470 (213)
BXSA005M2	1/2 (13)	3/8 (10)	6	190 (86)
BXSA008M2	5/8 (16)	3/8 (10)	6	220 (100)
BXSA010M2	5/8 (16)	3/8 (10)	6	240 (109)
BXSA021M2	7/8 (22)	1/2 (13)	16	350 (159)
BXSA030M2	1 1/8 (29)	1/2 (13)	25	410 (186)
BXSA050M2	1 1/8 (29)	1/2 (13)	25	650 (295)
BXSA005M6	1/2 (13)	3/8 (10)	5.2	190 (86)
BXSA010M6	5/8 (16)	3/8 (10)	5.2	240 (109)
BXSA020M6	7/8 (22)	1/2 (13)	14	290 (132)
BXSA021M6	7/8 (22)	1/2 (13)	14	350 (159)
BXSA030M6	7/8 (22)	1/2 (13)	22	410 (186)
BXSA035M6	1 1/8 (29)	5/8 (16)	22	420 (191)
BXSA040M6	1 1/8 (29)	5/8 (16)	22	470 (213)
BXSA005L6	1/2 (13)	3/8 (10)	5.2	220 (100)
BXSA008L6	5/8 (16)	3/8 (10)	5.2	240 (109)
BXSA010L6	7/8 (22)	3/8 (10)	5.2	260 (118)
BXSA015L6	7/8 (22)	3/8 (10)	14	280 (127)
BXSA020L6	7/8 (22)	3/8 (10)	14	350 (159)
BXSA021L6	7/8 (22)	1/2 (13)	14	350 (159)
BXSA030L6	1 1/8 (29)	1/2 (13)	22	420 (191)
BXSA031L6	1 1/8 (29)	1/2 (13)	22	490 (222)
BXSA032L6	1 1/8 (29)	1/2 (13)	22	420 (191)

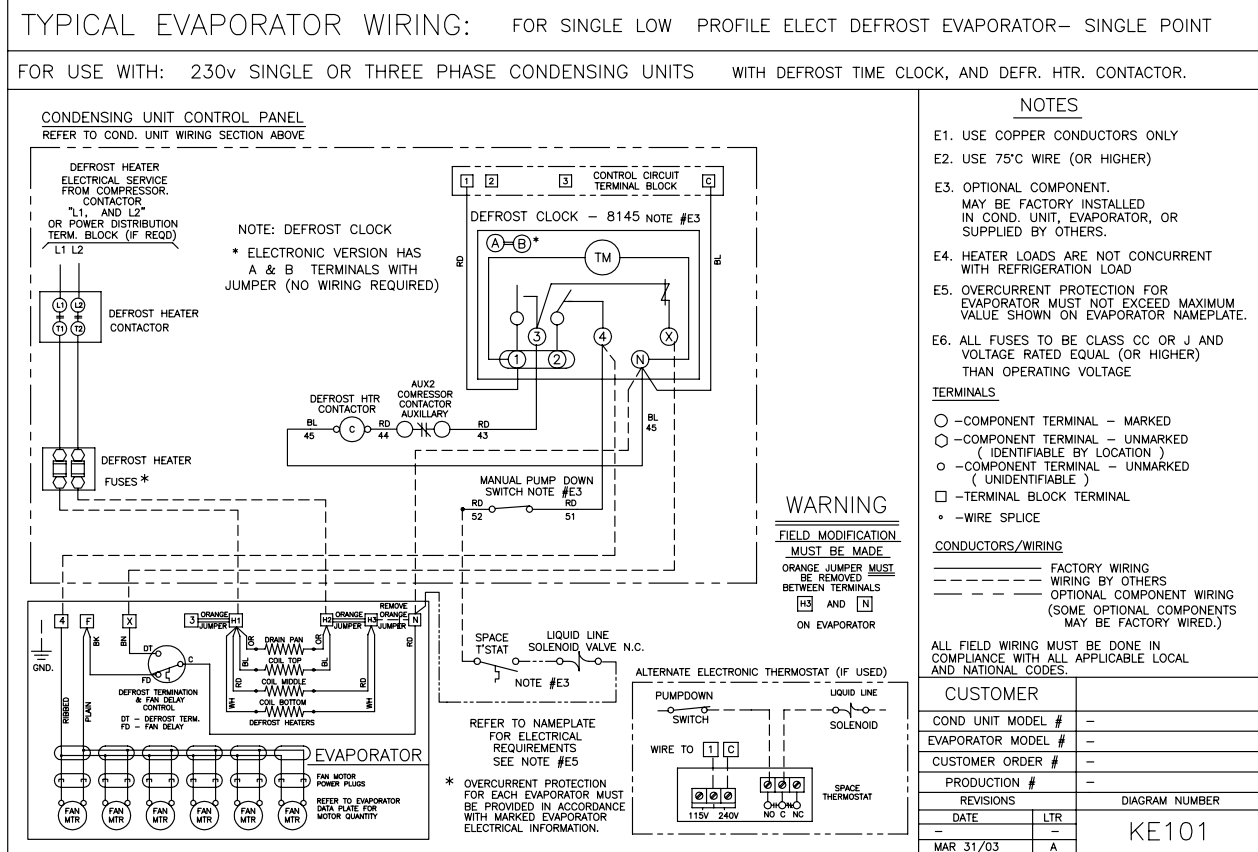
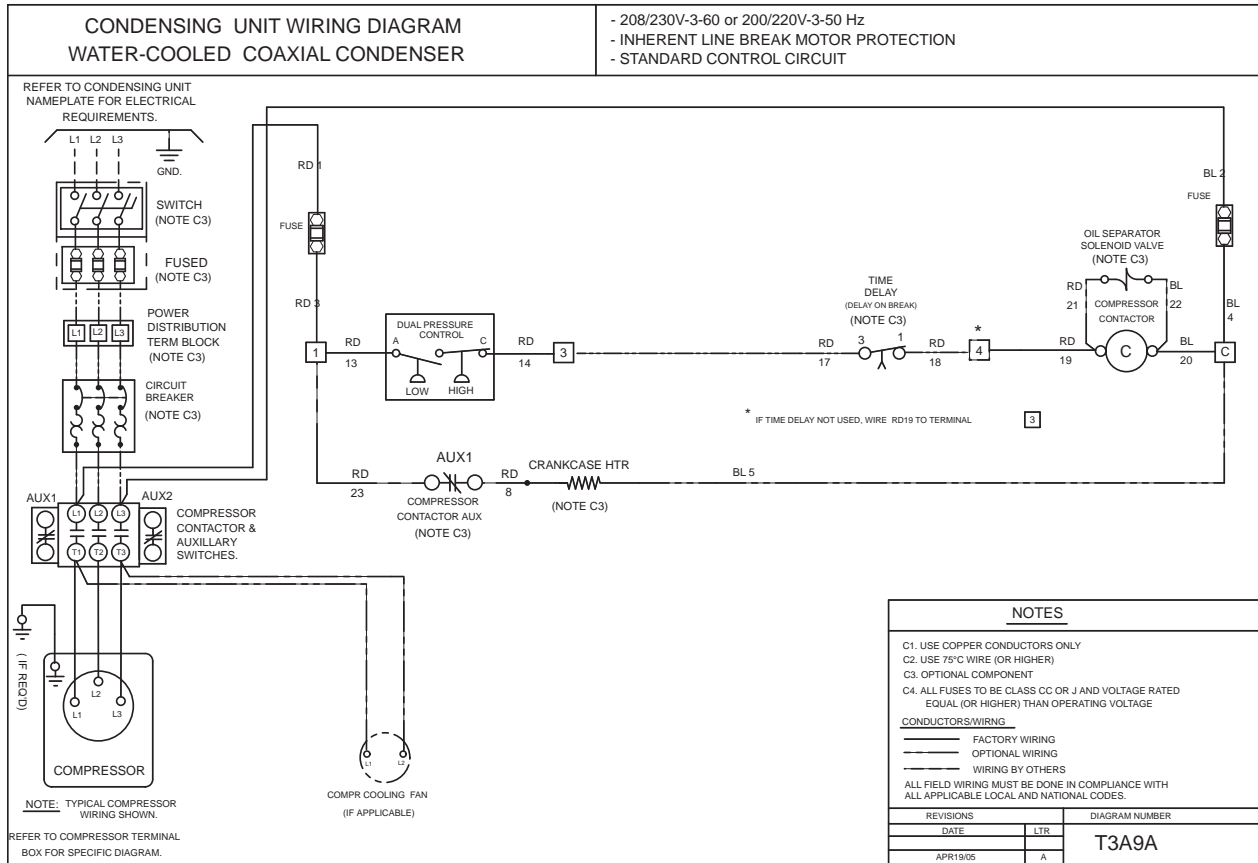
TYPICAL SYSTEM WIRING DIAGRAM

(200/1/50, 200-220/1/50)



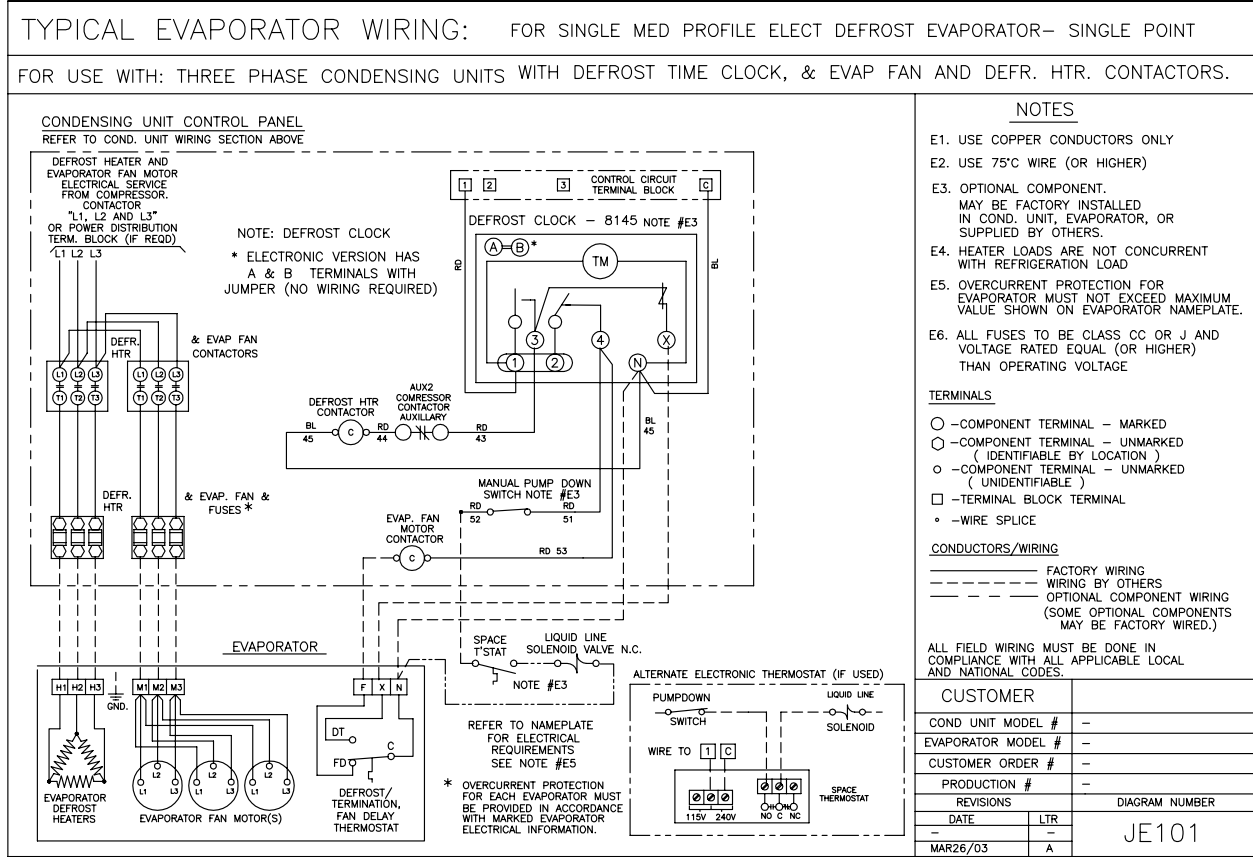
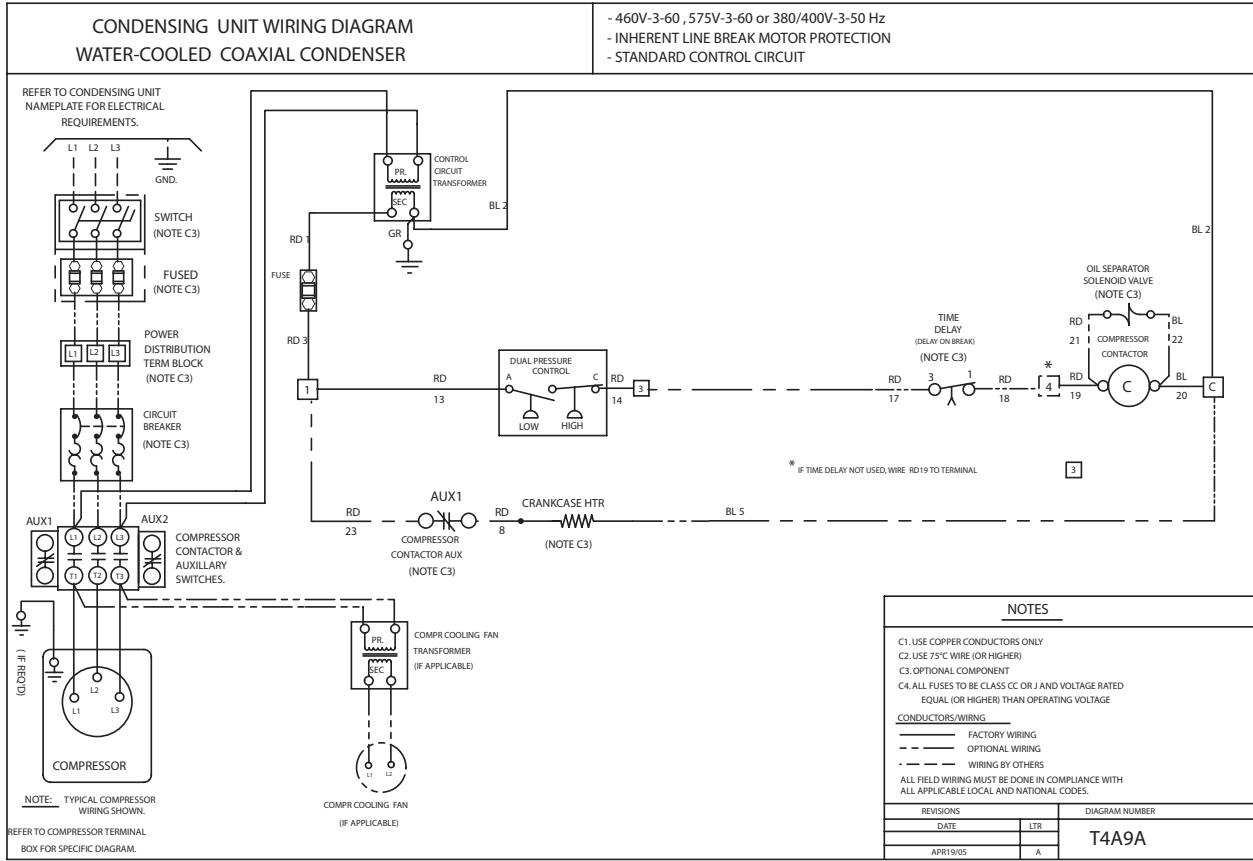
TYPICAL SYSTEM WIRING DIAGRAM

(200-220/3/50)



TYPICAL SYSTEM WIRING DIAGRAM

(380-400/3/50)



NOTES

