



BMH-Line Condensing Units

PRODUCT DATA & SPECIFICATIONS



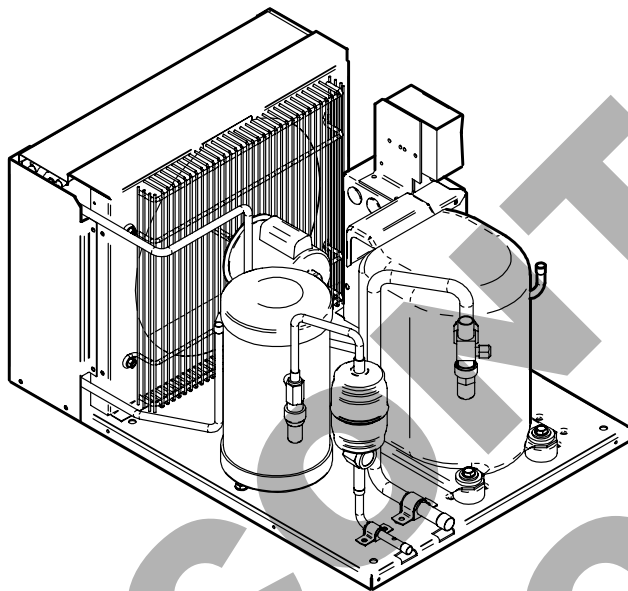
Bulletin B40-BMH-PDS-60-3
1079232

60
Hz

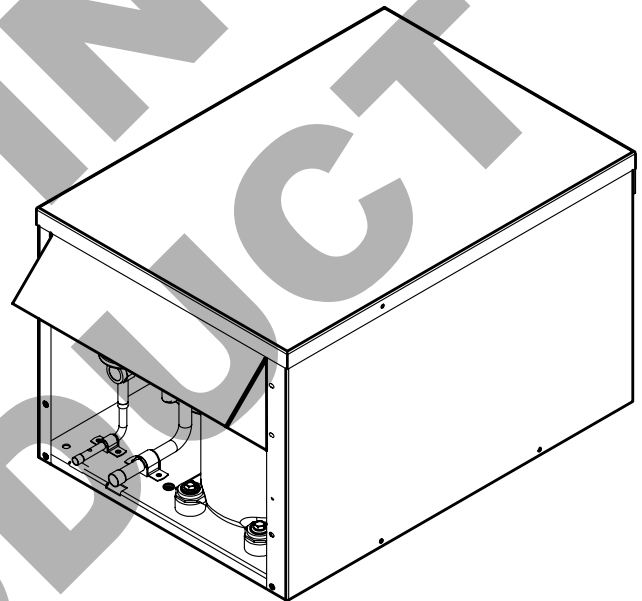
Indoor/Outdoor Compact Air-Cooled Hermetic Condensing Units

1/2 to 5 HP -
High, Medium and Low
Temperature Refrigeration

? Questions about this product? ?
Email: smcu@b-rp.ca
Call: 1-844-893-3222 x521



Indoor Unit

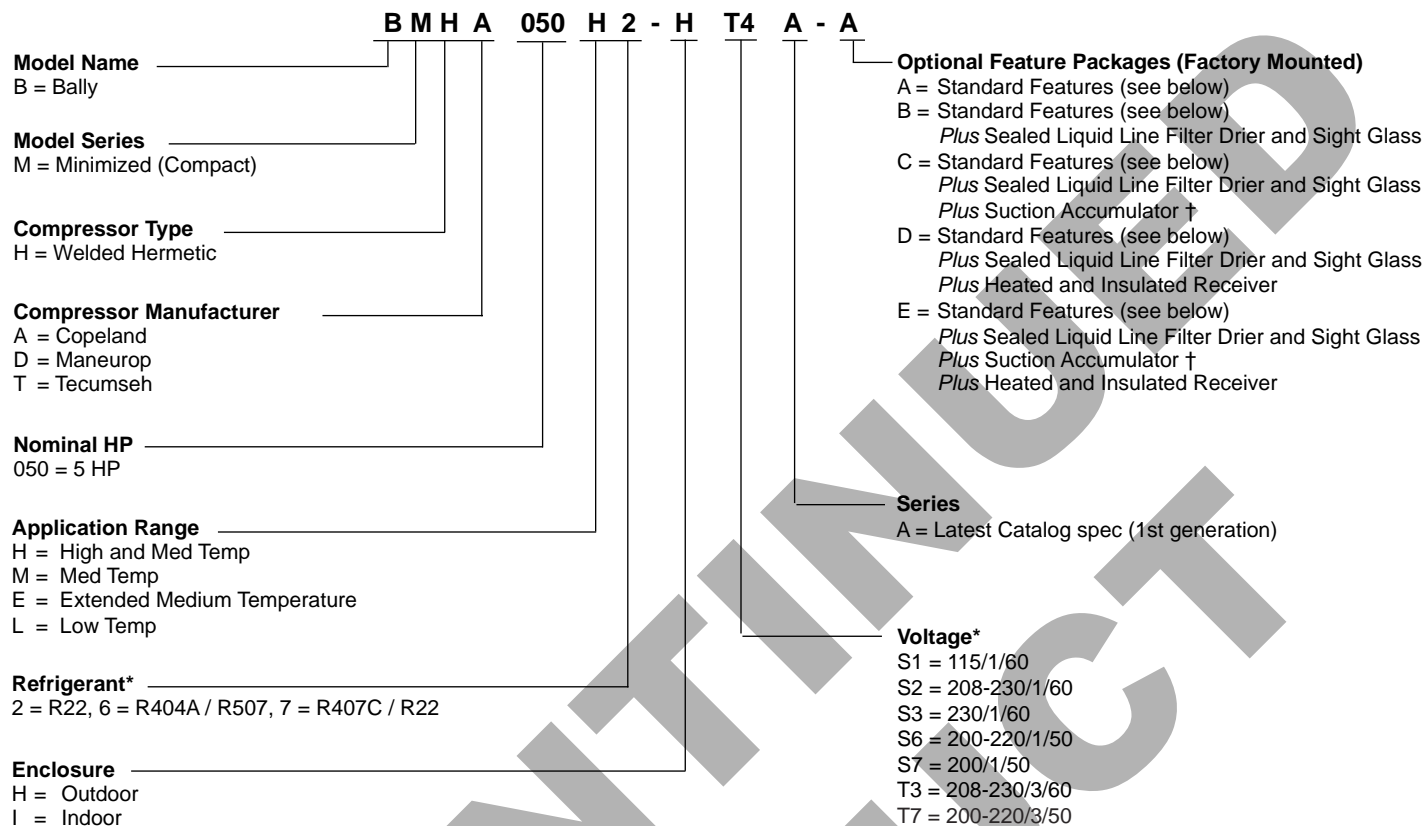


Outdoor Unit

CONTENTS

	Page
Nomenclature.....	2
Features.....	2
Capacity Data (Imperial and <i>Metric</i>).....	3 - 14
Electrical Data.....	15 - 17
Dimensional Data.....	18 - 20
Specifications.....	20 - 21
Wiring Diagrams.....	22 - 24
Service.....	25
Warranty.....	27
Project Information.....	27
"As Built" Service Parts List.....	BACK

NOMENCLATURE



* Subject to compressor availability

† Suction Accumulator Option Available ONLY with 2HP and larger BMHA

STANDARD FEATURES

- Copeland (H/E/L), Tecumseh (H/M/L) or Maneurop R404A/R507 (M/L) hermetic compressor
- High efficiency PSC fan motors
- Enhanced tube condenser coil
- Copper tubing secured with cushion clamps
- Adjustable low (1 HP and below) or high/low pressure control (above 1 HP)
- Fan guard
- Receiver outlet valve
- Flooded Head Pressure Control (outdoor models)
- Crankcase heater (outdoor models)
- Outdoor weather resistant housing with removable hood (outdoor models)

OPTIONAL FEATURE (Field Mounted)

- Availability of knockdown outdoor cabinet

CONDENSING UNIT MODEL	SATURATED SUCTION TEMPERATURE °F °C	CAPACITY BTU/H (WATTS) R407C AMBIENT TEMPERATURE °F (°C)								
		80 (26.6)	85 (29.4)	90 (32.2)	95 (35.0)	100 (37.8)	105 (40.6)	110 (43.3)		
BMHA015H7 Compressor Model CR18K6E	45 (7.2)	19100 (5600)	18500 (5420)	17900 (5250)	17200 (5040)	16500 (4840)	15900 (4660)	15200 (4450)		
	40 (4.4)	17400 (5100)	16800 (4920)	16200 (4750)	15500 (4540)	14900 (4370)	14400 (4220)	13800 (4040)		
	35 (1.7)	15800 (4630)	15200 (4450)	14600 (4280)	14100 (4130)	13400 (3930)	12900 (3780)	12300 (3600)		
	30 (-1.1)	14200 (4160)	13700 (4020)	13100 (3840)	12600 (3690)	12100 (3550)	11600 (3400)	11000 (3220)		
	25 (-3.9)	12700 (3720)	12200 (3580)	11700 (3430)	11200 (3280)	10700 (3140)	10200 (2990)	9700 (2840)		
	20 (-6.7)	11200 (3280)	10800 (3170)	10350 (3030)	9870 (2890)	9410 (2760)	8950 (2620)	8480 (2490)		
	15 (-9.4)	9900 (2900)	9480 (2780)	9050 (2650)	8620 (2530)	8180 (2400)	7740 (2270)	7310 (2140)		
10 (-12.2)	8610 (2520)	8220 (2410)	7820 (2290)	7410 (2170)	6990 (2050)	6590 (1930)	6200 (1820)			
BMHA020H7 Compressor Model CR24K6E	45 (7.2)	25700 (7530)	24900 (7300)	24000 (7030)	23200 (6800)	22300 (6540)	21400 (6270)	20600 (6040)		
	40 (4.4)	23300 (6830)	22600 (6620)	21700 (6360)	21000 (6150)	20200 (5920)	19300 (5660)	18500 (5420)		
	35 (1.7)	21100 (6180)	20400 (5980)	19600 (5740)	18900 (5540)	18100 (5300)	17300 (5070)	16600 (4860)		
	30 (-1.1)	19000 (5570)	18300 (5360)	17500 (5130)	16900 (4950)	16200 (4750)	15400 (4510)	14700 (4310)		
	25 (-3.9)	16900 (4950)	16300 (4780)	15600 (4570)	15000 (4400)	14300 (4190)	13700 (4020)	13000 (3810)		
	20 (-6.7)	15000 (4400)	14400 (4220)	13900 (4070)	13200 (3870)	12600 (3690)	12000 (3520)	11300 (3310)		
	15 (-9.4)	13200 (3870)	12600 (3690)	12100 (3550)	11600 (3400)	10900 (3190)	10360 (3040)	9800 (2870)		
10 (-12.2)	11400 (3340)	10900 (3190)	10430 (3060)	9890 (2900)	9370 (2750)	8840 (2590)	8310 (2440)			
BMHA025H7 Compressor Model CR32K6E	45 (7.2)	33700 (9880)	32600 (9550)	31400 (9200)	30300 (8880)	29200 (8560)	28000 (8210)	26900 (7880)		
	40 (4.4)	30600 (8970)	29500 (8650)	28500 (8350)	27400 (8030)	26400 (7740)	25300 (7410)	24300 (7120)		
	35 (1.7)	27600 (8090)	26700 (7820)	25700 (7530)	24700 (7240)	23700 (6950)	22700 (6650)	21700 (6360)		
	30 (-1.1)	24900 (7300)	23900 (7000)	23000 (6740)	22200 (6510)	21200 (6210)	20300 (5950)	19300 (5660)		
	25 (-3.9)	22300 (6540)	21400 (6270)	20500 (6010)	19600 (5740)	18800 (5510)	18000 (5280)	17000 (4980)		
	20 (-6.7)	19700 (5770)	18900 (5540)	18200 (5330)	17300 (5070)	16500 (4840)	15800 (4630)	14900 (4370)		
	15 (-9.4)	17300 (5070)	16600 (4860)	15900 (4660)	15100 (4430)	14400 (4220)	13500 (3960)	12800 (3750)		
10 (-12.2)	15000 (4400)	14400 (4220)	13700 (4020)	13000 (3810)	12300 (3600)	11600 (3400)	10900 (3190)			
BMHA031H7 Compressor Model CR38K6E	45 (7.2)	38900 (11400)	37300 (10930)	35700 (10460)	34100 (9990)	32400 (9500)	30900 (9060)	29200 (8560)		
	40 (4.4)	35300 (10350)	33800 (9910)	32200 (9440)	30800 (9030)	29200 (8560)	27600 (8090)	26100 (7650)		
	35 (1.7)	31800 (9320)	30500 (8940)	29000 (8500)	27500 (8060)	26100 (7650)	24700 (7240)	23200 (6800)		
	30 (-1.1)	28600 (8380)	27200 (7970)	25800 (7560)	24600 (7210)	23200 (6800)	21800 (6390)	20500 (6010)		
	25 (-3.9)	25400 (7440)	24200 (7090)	22900 (6710)	21600 (6330)	20400 (5980)	19100 (5600)	17900 (5250)		
	20 (-6.7)	22600 (6590)	21300 (6240)	20200 (5920)	18900 (5540)	17700 (5190)	16600 (4860)	15400 (4510)		
	15 (-9.4)	19600 (5740)	18600 (5450)	17400 (5100)	16400 (4810)	15200 (4450)	14200 (4160)	13000 (3810)		
10 (-12.2)	16900 (4950)	15900 (4660)	14900 (4370)	13900 (4070)	12800 (3750)	11800 (3460)	10700 (3140)			
BMHA035H7 Compressor Model CR42K6E	45 (7.2)	41600 (12190)	39900 (11690)	38100 (11170)	36300 (10640)	34500 (10110)	32900 (9640)	31100 (9110)		
	40 (4.4)	37900 (11110)	36200 (10610)	34500 (10110)	32900 (9640)	31200 (9140)	29500 (8650)	27800 (8150)		
	35 (1.7)	34200 (10020)	32700 (9580)	31200 (9140)	29500 (8650)	27900 (8180)	26400 (7740)	24800 (7270)		
	30 (-1.1)	30800 (9030)	29300 (8590)	27800 (8150)	26400 (7740)	24900 (7300)	23300 (6830)	21800 (6390)		
	25 (-3.9)	27500 (8060)	26000 (7620)	24700 (7240)	23300 (6830)	21800 (6390)	20500 (6010)	19100 (5600)		
	20 (-6.7)	24300 (7120)	23000 (6740)	21700 (6360)	20400 (5980)	19000 (5570)	17700 (5190)	16500 (4840)		
	15 (-9.4)	21200 (6210)	20100 (5890)	18800 (5510)	17500 (5130)	16400 (4810)	15100 (4430)	13900 (4070)		
10 (-12.2)	18300 (5360)	17200 (5040)	16100 (4720)	14900 (4370)	13800 (4040)	12600 (3690)	11400 (3340)			
BMHA040H7 Compressor Model CR53KQE	45 (7.2)	58200 (17060)	55800 (16350)	53300 (15620)	50900 (14920)	48500 (14210)	46000 (13480)	43600 (12780)		
	40 (4.4)	52600 (15420)	50400 (14770)	48100 (14100)	45900 (13450)	43500 (12750)	41200 (12070)	38900 (11400)		
	35 (1.7)	47400 (13890)	45300 (13280)	43200 (12660)	41000 (12020)	38900 (11400)	36600 (10730)	34400 (10080)		
	30 (-1.1)	42300 (12400)	40400 (11840)	38400 (11250)	36400 (10670)	34400 (10080)	32300 (9470)	30300 (8880)		
	25 (-3.9)	37700 (11050)	35900 (10520)	34000 (9960)	32100 (9410)	30200 (8850)	28400 (8320)	26500 (7770)		
	20 (-6.7)	33300 (9760)	31600 (9260)	29800 (8730)	28000 (8210)	26300 (7710)	24600 (7210)	22800 (6680)		
	15 (-9.4)	29000 (8500)	27400 (8030)	25800 (7560)	24300 (7120)	22600 (6620)	20900 (6130)	19300 (5660)		
10 (-12.2)	25000 (7330)	23500 (6890)	22100 (6480)	20500 (6010)	18900 (5540)	17400 (5100)	15900 (4660)			
BMHA050H7 Compressor Model CRNQ-050E	45 (7.2)	66600 (19520)	63800 (18700)	61100 (17910)	58300 (17090)	55500 (16270)	52700 (15440)	50000 (14650)		
	40 (4.4)	61100 (17910)	58600 (17170)	56000 (16410)	53300 (15620)	50700 (14860)	48100 (14100)	45500 (13330)		
	35 (1.7)	55800 (16350)	53300 (15620)	50800 (14890)	48400 (14180)	46000 (13480)	43600 (12780)	41200 (12070)		
	30 (-1.1)	50500 (14800)	48200 (14130)	45900 (13450)	43700 (12810)	41400 (12130)	39200 (11490)	37000 (10840)		
	25 (-3.9)	45400 (13310)	43200 (12660)	41100 (12050)	39000 (11430)	37000 (10840)	34900 (10230)	32900 (9640)		
	20 (-6.7)	40400 (11840)	38400 (11250)	36500 (10700)	34500 (10110)	32700 (9580)	30800 (9030)	29000 (8500)		
	15 (-9.4)	35800 (10490)	33900 (9940)	32100 (9410)	30300 (8880)	28700 (8410)	26900 (7880)	25300 (7410)		
10 (-12.2)	31400 (9200)	29700 (8700)	28000 (8210)	26500 (7770)	24800 (7270)	23300 (6830)	21800 (6390)			

NOTES: - Above ratings are based on mean temperature. - To convert to dew point ratings, use 0.95 multiplier.

CAPACITY DATA - R404A R507
EXTENDED MEDIUM TEMPERATURE

CONDENSING UNIT MODEL	SATURATED SUCTION TEMPERATURE		CAPACITY BTU/H (WATTS) R404A R507								AMBIENT TEMPERATURE °F (°C)	
	°F	°C	80 (26.6)	85 (29.4)	90 (32.2)	95 (35.0)	100 (37.8)	105 (40.6)	110 (43.3)			
BMHA006E6 Compressor Model RST45C1E *	30	(-1.1)	7520 (2204)	7090 (2078)	6640 (1946)	6220 (1823)	5800 (1700)	5380 (1577)	4970 (1457)			
	25	(-3.9)	6920 (2028)	6510 (1908)	6120 (1794)	5730 (1679)	5340 (1565)	4950 (1451)	4580 (1342)			
	20	(-6.7)	6320 (1852)	5950 (1744)	5590 (1638)	5230 (1533)	4880 (1430)	4530 (1328)	4190 (1228)			
	15	(-9.4)	5740 (1682)	5400 (1583)	5070 (1486)	4750 (1392)	4430 (1298)	4110 (1205)	3790 (1111)			
	10	(-12.2)	5170 (1515)	4860 (1424)	4560 (1336)	4270 (1251)	3980 (1166)	3690 (1081)	3410 (999)			
	5	(-15.0)	4620 (1354)	4350 (1275)	4080 (1196)	3810 (1117)	3540 (1038)	3280 (961)	3020 (885)			
	0	(-17.8)	4100 (1202)	3850 (1128)	3610 (1058)	3370 (988)	3120 (914)	2880 (844)	2650 (777)			
	-5	(-20.6)	3511 (1029)	3288 (964)	3065 (898)	2862 (839)	2638 (773)	2425 (711)	2212 (648)			
	-10	(-23.3)	3056 (895)	2871 (842)	2668 (782)	2464 (722)	2270 (665)	2066 (605)	1872 (549)			
	-15	(-26.1)	2658 (779)	2474 (725)	2299 (674)	2105 (617)	1930 (566)	1736 (509)	1552 (455)			
-20	(-28.9)	2289 (671)	2124 (623)	1959 (574)	1775 (520)	1610 (472)	1426 (418)	1251 (367)				
-25	(-31.7)	1969 (577)	1804 (529)	1649 (483)	1484 (435)	1319 (387)	1135 (333)	970 (284)				
BMHA008E6 Compressor Model RST55C1E *	30	(-1.1)	9140 (2679)	8620 (2526)	8100 (2374)	7580 (2222)	7080 (2075)	6570 (1926)	6080 (1782)			
	25	(-3.9)	8390 (2459)	7920 (2321)	7440 (2181)	6960 (2040)	6500 (1905)	6040 (1770)	5580 (1635)			
	20	(-6.7)	7670 (2248)	7230 (2119)	6800 (1993)	6360 (1864)	5930 (1738)	5500 (1612)	5090 (1492)			
	15	(-9.4)	6970 (2043)	6560 (1923)	6160 (1805)	5770 (1691)	5370 (1574)	4990 (1462)	4590 (1345)			
	10	(-12.2)	6290 (1843)	5920 (1735)	5550 (1627)	5190 (1521)	4830 (1416)	4470 (1310)	4120 (1208)			
	5	(-15.0)	5630 (1650)	5290 (1550)	4960 (1454)	4620 (1354)	4300 (1260)	3980 (1166)	3660 (1073)			
	0	(-17.8)	5020 (1471)	4710 (1380)	4400 (1290)	4090 (1199)	3790 (1111)	3490 (1023)	3200 (938)			
	-5	(-20.6)	4297 (1259)	4016 (1177)	3744 (1097)	3473 (1018)	3211 (941)	2939 (861)	2677 (785)			
	-10	(-23.3)	3754 (1100)	3511 (1029)	3259 (955)	3007 (882)	2755 (807)	2522 (739)	2280 (668)			
	-15	(-26.1)	3269 (958)	3036 (889)	2803 (822)	2580 (757)	2347 (688)	2115 (620)	1901 (557)			
-20	(-28.9)	2813 (825)	2609 (764)	2386 (699)	2173 (637)	1959 (574)	1736 (509)	1533 (449)				
-25	(-31.7)	2415 (708)	2221 (651)	2008 (589)	1795 (526)	1601 (469)	1397 (409)	1203 (352)				
BMHA009E6 Compressor Model RST64C1E *	30	(-1.1)	10640 (3118)	10090 (2957)	9550 (2799)	8990 (2635)	8440 (2474)	7880 (2309)	7310 (2142)			
	25	(-3.9)	9800 (2872)	9300 (2726)	8790 (2576)	8280 (2427)	7770 (2277)	7250 (2125)	6740 (1975)			
	20	(-6.7)	8980 (2632)	8520 (2497)	8050 (2359)	7590 (2225)	7120 (2087)	6650 (1949)	6180 (1811)			
	15	(-9.4)	8190 (2400)	7770 (2277)	7340 (2151)	6920 (2028)	6490 (1902)	6060 (1776)	5620 (1647)			
	10	(-12.2)	7440 (2181)	7050 (2066)	6650 (1949)	6270 (1838)	5880 (1723)	5490 (1609)	5100 (1495)			
	5	(-15.0)	6710 (1967)	6360 (1864)	5990 (1756)	5640 (1653)	5280 (1547)	4930 (1445)	4570 (1339)			
	0	(-17.8)	6000 (1758)	5690 (1668)	5360 (1571)	5040 (1477)	4720 (1383)	4400 (1290)	4070 (1193)			
	-5	(-20.6)	5180 (1518)	4889 (1433)	4608 (1350)	4317 (1265)	4035 (1182)	3754 (1100)	3473 (1018)			
	-10	(-23.3)	4559 (1336)	4297 (1259)	4026 (1180)	3773 (1106)	3521 (1032)	3259 (955)	3007 (882)			
	-15	(-26.1)	3967 (1163)	3715 (1089)	3473 (1018)	3250 (953)	3007 (882)	2774 (813)	2561 (751)			
-20	(-28.9)	3395 (995)	3172 (929)	2949 (864)	2735 (801)	2522 (739)	2309 (677)	2105 (617)				
-25	(-31.7)	2862 (839)	2648 (776)	2435 (714)	2241 (657)	2047 (599)	1853 (543)	1668 (489)				
BMHA010E6 Compressor Model RST70C1E *	30	(-1.1)	11120 (3260)	10650 (3120)	10200 (2990)	9720 (2850)	9250 (2710)	8690 (2550)	8190 (2400)			
	25	(-3.9)	10280 (3010)	9860 (2890)	9430 (2760)	8930 (2620)	8490 (2490)	8040 (2360)	7580 (2220)			
	20	(-6.7)	9400 (2750)	9010 (2640)	8610 (2520)	8220 (2410)	7810 (2290)	7400 (2170)	6970 (2040)			
	15	(-9.4)	8600 (2520)	8240 (2410)	7880 (2310)	7520 (2200)	7140 (2090)	6770 (1980)	6310 (1850)			
	10	(-12.2)	7820 (2290)	7490 (2200)	7160 (2100)	6780 (1990)	6440 (1890)	6090 (1780)	5730 (1680)			
	5	(-15.0)	7020 (2060)	6730 (1970)	6420 (1880)	6110 (1790)	5800 (1700)	5480 (1610)	5150 (1510)			
	0	(-17.8)	6290 (1840)	6030 (1770)	5750 (1690)	5460 (1600)	5180 (1520)	4880 (1430)	4590 (1350)			
	-5	(-20.6)	5600 (1640)	5350 (1570)	5100 (1490)	4840 (1420)	4550 (1330)	4280 (1250)	4010 (1180)			
	-10	(-23.3)	4910 (1440)	4690 (1370)	4460 (1310)	4220 (1240)	3980 (1170)	3740 (1100)	3480 (1020)			
	-15	(-26.1)	4310 (1260)	4090 (1200)	3880 (1140)	3670 (1080)	3440 (1010)	3210 (940)	2990 (880)			
-20	(-28.9)	3730 (1090)	3540 (1040)	3340 (980)	3140 (920)	2940 (860)	2730 (800)	2490 (730)				
-25	(-31.7)	3200 (940)	3030 (890)	2830 (830)	2650 (780)	2450 (720)	2260 (660)	2060 (600)				
BMHA016E6 Compressor Model CS10K6E	30	(-1.1)	17500 (5129)	16400 (4807)	15400 (4513)	14400 (4220)	13400 (3927)	12400 (3634)	11400 (3341)			
	25	(-3.9)	16000 (4689)	15100 (4426)	14100 (4132)	13200 (3869)	12200 (3576)	11300 (3312)	10400 (3048)			
	20	(-6.7)	14600 (4279)	13700 (4015)	12900 (3781)	12000 (3517)	11100 (3253)	10200 (2989)	9390 (2752)			
	15	(-9.4)	13200 (3869)	12400 (3634)	11600 (3400)	10800 (3165)	9970 (2922)	9180 (2691)	8380 (2456)			
	10	(-12.2)	11800 (3458)	11100 (3253)	10300 (3019)	9570 (2805)	8840 (2591)	8110 (2377)	7370 (2160)			
	5	(-15.0)	10400 (3048)	9750 (2858)	9060 (2655)	8390 (2459)	7710 (2260)	7050 (2066)	6380 (1870)			
	0	(-17.8)	9110 (2670)	8480 (2485)	7860 (2304)	7240 (2122)	6630 (1943)	6020 (1764)	5410 (1586)			
	-5	(-20.6)	7595 (2226)	7052 (2067)	6509 (1908)	5966 (1748)	5422 (1589)	4879 (1430)	4336 (1271)			
	-10	(-23.3)	6431 (1885)	5946 (1743)	5451 (1598)	4957 (1453)	4462 (1308)	3977 (1166)	3482 (1020)			
	-15	(-26.1)	5354 (1569)	4918 (1441)	4472 (1310)	4035 (1182)	3589 (1051)	3133 (919)	2687 (788)			
-20	(-28.9)	4384 (1285)	3996 (1172)	3599 (1054)	3201 (938)	2794 (819)	2386 (699)	1979 (580)				
-25	(-31.7)	3550 (1041)	3201 (938)	2842 (833)	2474 (725)	2105 (617)	1736 (509)	1358 (398)				
BMHA021E6 Compressor Model CS12K6E	30	(-1.1)	22600 (6624)	21400 (6272)	20100 (5891)	18900 (5539)	17700 (5188)	16500 (4836)	15300 (4484)			
	25	(-3.9)	20400 (5979)	19300 (5657)	18200 (5334)	17100 (5012)	15900 (4660)	14800 (4338)	13700 (4015)			
	20	(-6.7)	18400 (5393)	17400 (5100)	16300 (4777)	15300 (4484)	14200 (4162)	13200 (3869)	12200 (3576)			
	15	(-9.4)	16500 (4836)	15500 (4543)	14600 (4279)	13600 (3986)	12700 (3722)	11700 (3429)	10800 (3165)			
	10	(-12.2)	14700 (4308)	13800 (4045)	12900 (3781)	12000 (3517)	11200 (3283)	10300 (3019)	9420 (2761)			
	5	(-15.0)	13000 (3810)	12200 (3576)	11400 (3341)	10500 (3077)	9730 (2852)	8950 (2623)	8160 (2392)			
	0	(-17.8)	11400 (3341)	10600 (3107)	9870 (2893)	9130 (2676)	8390 (2459)	7680 (2251)	6970 (2043)			
	-5	(-20.6)	9584 (2809)	8885 (2604)	8216 (2408)	7556 (2215)	6916 (2027)	6286 (1842)	5665 (1661)			
	-10	(-23.3)	8187 (2400)	7537 (2209)	6916 (2027)	6315 (1851)	5733 (1680)	5170 (1515)	4617 (1353)			
	-15	(-26.1)	6858 (2010)	6257 (1833)	5684 (1665)	5122 (1501)	4608 (1350)	4093 (1200)	3608 (1057)			
-20	(-28.9)	5578 (1634)	5025 (1472)	4481 (1313)	3987 (1169)	3511 (1029)	3046 (892)	2619 (767)				
-25	(-31.7)	4355 (1277)	3822 (1120)	3337 (978)	2881 (844)	2435 (714)	2027 (595)	1649 (483)				

--- Outside Operating Range † Max 40°F RGT * Not suitable for use with R-507

CAPACITY DATA - R404A R507
EXTENDED MEDIUM TEMPERATURE (cont'd)

CONDENSING UNIT MODEL	SATURATED SUCTION TEMPERATURE		CAPACITY BTU/H (WATTS)										AMBIENT TEMPERATURE °F (°C)			
	°F	°C	R404A		R507		R404A		R507		R404A		R507			
			80	(26.6)	85	(29.4)	90	(32.2)	95	(35.0)	100	(37.8)	105	(40.6)	110	(43.3)
BMHA025E6 Compressor Model CS14K6E	30	(-1.1)	25900	(7591)	24500	(7181)	23100	(6770)	21700	(6360)	20300	(5950)	18900	(5539)	17400	(5100)
	25	(-3.9)	23800	(6975)	22500	(6594)	21200	(6213)	19900	(5832)	18600	(5451)	17300	(5070)	16000	(4689)
	20	(-6.7)	21700	(6360)	20500	(6008)	19300	(5657)	18100	(5305)	17000	(4982)	15800	(4631)	14600	(4279)
	15	(-9.4)	19600	(5744)	18500	(5422)	17400	(5100)	16400	(4807)	15300	(4484)	14200	(4162)	13200	(3869)
	10	(-12.2)	17600	(5158)	16600	(4865)	15600	(4572)	14600	(4279)	13700	(4015)	12700	(3722)	11700	(3429)
	5	(-15.0)	15600	(4572)	14700	(4308)	13800	(4045)	13000	(3810)	12100	(3546)	11200	(3283)	10300	(3019)
	0	(-17.8)	13700	(4015)	12900	(3781)	12100	(3546)	11300	(3312)	10600	(3107)	9760	(2860)	8980	(2632)
	-5	(-20.6)	11543	(3383)	10864	(3185)	10185	(2985)	9496	(2783)	8808	(2581)	8129	(2382)	7450	(2183)
	-10	(-23.3)	9894	(2899)	9312	(2730)	8691	(2547)	8080	(2368)	7469	(2189)	6877	(2016)	6276	(1839)
	-15	(-26.1)	8429	(2471)	7886	(2312)	7333	(2150)	6780	(1988)	6247	(1830)	5704	(1671)	5180	(1518)
-20	(-28.9)	7081	(2076)	6586	(1930)	6092	(1786)	5616	(1646)	5131	(1504)	4656	(1365)	4190	(1228)	
-25	(-31.7)	5907	(1731)	5461	(1601)	5025	(1472)	4588	(1344)	4171	(1222)	3735	(1094)	3317	(972)	
BMHA031E6 Compressor Model CS18K6E	30	(-1.1)	31600	(9261)	29800	(8734)	28000	(8206)	26200	(7679)	24500	(7181)	22700	(6653)	20900	(6125)
	25	(-3.9)	29200	(8558)	27500	(8060)	25800	(7562)	24200	(7093)	22500	(6594)	20900	(6125)	19200	(5627)
	20	(-6.7)	26700	(7825)	25200	(7386)	23600	(6917)	22100	(6477)	20500	(6008)	19000	(5569)	17500	(5129)
	15	(-9.4)	24200	(7093)	22800	(6682)	21300	(6243)	19900	(5832)	18500	(5422)	17100	(5012)	15700	(4601)
	10	(-12.2)	21700	(6360)	20400	(5979)	19100	(5598)	17700	(5188)	16400	(4807)	15200	(4455)	13900	(4074)
	5	(-15.0)	19200	(5627)	18000	(5275)	16800	(4924)	15600	(4572)	14400	(4220)	13300	(3898)	12100	(3546)
	0	(-17.8)	16800	(4924)	15700	(4601)	14600	(4279)	13600	(3986)	12500	(3664)	11500	(3370)	10400	(3048)
	-5	(-20.6)	14065	(4123)	13192	(3866)	12222	(3582)	11252	(3298)	10379	(3042)	9419	(2761)	8555	(2507)
	-10	(-23.3)	12028	(3525)	11155	(3269)	10282	(3014)	9477	(2777)	8662	(2538)	7876	(2309)	7110	(2084)
	-15	(-26.1)	10088	(2957)	9361	(2743)	8623	(2528)	7886	(2312)	7178	(2104)	6499	(1905)	5849	(1714)
-20	(-28.9)	8429	(2471)	7779	(2280)	7130	(2089)	6509	(1908)	5898	(1729)	5325	(1561)	4792	(1405)	
-25	(-31.7)	7013	(2055)	6460	(1893)	5917	(1734)	5384	(1578)	4889	(1433)	4414	(1294)	4006	(1174)	
BMHA035E6 Compressor Model CS20K6E *	30	(-1.1)	35500	(10404)	33400	(9789)	31300	(9174)	29300	(8587)	27400	(8030)	25400	(7444)	23500	(6887)
	25	(-3.9)	32100	(9408)	30200	(8851)	28300	(8294)	26400	(7737)	24600	(7210)	22800	(6682)	21000	(6155)
	20	(-6.7)	29000	(8499)	27200	(7972)	25400	(7444)	23700	(6946)	22000	(6448)	20300	(5950)	18700	(5481)
	15	(-9.4)	26000	(7620)	24400	(7151)	22800	(6682)	21200	(6213)	19600	(5744)	18100	(5305)	16600	(4865)
	10	(-12.2)	23400	(6858)	21800	(6389)	20300	(5950)	18900	(5539)	17400	(5100)	16000	(4689)	14600	(4279)
	5	(-15.0)	20800	(6096)	19500	(5715)	18100	(5305)	16700	(4894)	15400	(4513)	14100	(4132)	12900	(3781)
	0	(-17.8)	18500	(5422)	17200	(5041)	16000	(4689)	14800	(4338)	13600	(3986)	12400	(3634)	11200	(3283)
	-5	(-20.6)	15811	(4634)	14744	(4321)	13580	(3980)	12513	(3668)	11446	(3354)	10379	(3042)	9312	(2730)
	-10	(-23.3)	13774	(4037)	12804	(3753)	11737	(3440)	10767	(3155)	9797	(2871)	8788	(2575)	7809	(2288)
	-15	(-26.1)	11834	(3469)	10961	(3213)	9991	(2928)	9079	(2661)	8148	(2388)	7236	(2120)	6324	(1854)
-20	(-28.9)	9991	(2928)	9099	(2667)	8245	(2416)	7382	(2163)	6518	(1911)	5645	(1655)	4782	(1402)	
-25	(-31.7)	8032	(2354)	7256	(2126)	6451	(1891)	5636	(1652)	4811	(1410)	3987	(1169)	3153	(924)	
BMHA040E6 Compressor Model CS27K6E *	30	(-1.1)	48200	(14100)	45800	(13400)	43300	(12700)	40900	(12000)	38500	(11300)	36100	(10600)	33700	(9900)
	25	(-3.9)	43800	(12800)	41600	(12200)	39400	(11500)	37200	(10900)	34900	(10200)	32700	(9600)	30500	(8900)
	20	(-6.7)	39600	(11600)	37600	(11000)	35500	(10400)	33500	(9800)	31500	(9200)	29500	(8600)	27500	(8100)
	15	(-9.4)	35600	(10400)	33700	(9900)	31900	(9300)	30000	(8800)	28200	(8300)	26400	(7700)	24500	(7200)
	10	(-12.2)	31700	(9290)	30000	(8790)	28400	(8320)	26700	(7830)	25100	(7360)	23400	(6860)	21800	(6390)
	5	(-15.0)	28000	(8210)	26500	(7770)	25000	(7330)	23600	(6920)	22100	(6480)	20600	(6040)	19200	(5630)
	0	(-17.8)	24600	(7210)	23200	(6800)	21900	(6420)	20600	(6040)	19300	(5660)	18100	(5310)	16700	(4890)
	-5	(-20.6)	20700	(6070)	19600	(5740)	18500	(5420)	17400	(5100)	16300	(4780)	15200	(4460)	14100	(4130)
	-10	(-23.3)	17800	(5220)	16800	(4920)	15900	(4660)	14900	(4370)	14000	(4100)	13100	(3840)	12100	(3550)
	-15	(-26.1)	15100	(4430)	14300	(4190)	13500	(3960)	12700	(3720)	12000	(3520)	11200	(3280)	10400	(3050)
-20	(-28.9)	12700	(3720)	12000	(3520)	11400	(3340)	10800	(3170)	10100	(2960)	9500	(2780)	8800	(2580)	
-25	(-31.7)	10500	(3080)	10000	(2930)	9500	(2780)	9000	(2640)	8600	(2520)	8100	(2370)	7500	(2200)	
BMHA050E6 Compressor Model CS33K6E *	30	(-1.1)	51600	(15100)	49000	(14400)	46400	(13600)	43800	(12800)	41300	(12100)	38800	(11400)	36300	(10600)
	25	(-3.9)	47500	(13900)	45100	(13200)	42800	(12500)	40400	(11800)	38100	(11200)	35800	(10500)	33500	(9820)
	20	(-6.7)	43400	(12700)	41300	(12100)	39100	(11500)	37000	(10800)	34800	(10200)	32700	(9580)	30600	(8970)
	15	(-9.4)	39400	(11500)	37500	(11000)	35500	(10400)	33600	(9800)	31600	(9260)	29700	(8710)	27800	(8150)
	10	(-12.2)	35500	(10410)	33700	(9880)	32000	(9380)	30200	(8850)	28400	(8320)	26700	(7830)	25000	(7330)
	5	(-15.0)	31700	(9290)	30100	(8820)	28500	(8350)	26900	(7880)	25300	(7420)	23800	(6980)	22200	(6510)
	0	(-17.8)	28000	(8210)	26600	(7800)	25200	(7390)	23800	(6980)	22400	(6570)	21000	(6160)	19500	(5720)
	-5	(-20.6)	23800	(6980)	22600	(6620)	21400	(6270)	20200	(5920)	19000	(5570)	17800	(5220)	16500	(4840)
	-10	(-23.3)	20700	(6070)	19700	(5770)	18600	(5450)	17500	(5130)	16400	(4810)	15300	(4480)	14200	(4160)
	-15	(-26.1)	17900	(5250)	17000	(4980)	16100	(4720)	15100	(4430)	14100	(4130)	13100	(3840)	12100	(3550)
-20	(-28.9)	15500	(4540)	14700	(4310)	13800	(4040)	13000	(3810)	12100	(3550)	11200	(3280)	10300	(3020)	
-25	(-31.7)	13400	(3930)	12700	(3720)	12000	(3520)	11200	(3280)	10400	(3050)	9590	(2810)	8770	(2570)	

--- Outside Operating Range † Max 40°F RGT * Not suitable for use with R-507

CAPACITY DATA - R404A R507
LOW TEMPERATURE

CONDENSING UNIT MODEL	SATURATED SUCTION TEMPERATURE		CAPACITY BTU/H (WATTS) R404A R507 AMBIENT TEMPERATURE °F (°C)																																																																					
	°F	°C	80 (26.6)	85 (29.4)	90 (32.2)	95 (35)	100 (37.8)	105 (40.6)	110 (43.3)																																																															
	BMHA006L6 Compressor Model RFT22C1E *	10 (-12.2)	4810 (1410)	4580 (1340)	4360 (1280)	4120 (1210)	3880 (1140)	3640 (1070)	3380 (990)	5	4350 (1270)	4140 (1210)	3930 (1150)	3720 (1090)	3500 (1030)	3270 (960)	3040 (890)	0	3900 (1140)	3720 (1090)	3530 (1030)	3340 (980)	3130 (920)	2930 (860)	2710 (790)	-5	3480 (1020)	3320 (970)	3140 (920)	2970 (870)	2780 (810)	2590 (760)	2400 (700)	-10	3090 (910)	2940 (860)	2770 (810)	2620 (770)	2450 (720)	2280 (670)	2100 (620)	-15	2710 (790)	2560 (750)	2430 (710)	2280 (670)	2130 (620)	1980 (580)	1820 (530)	-20	2350 (690)	2220 (650)	2100 (620)	1970 (580)	1840 (540)	1710 (500)	1570 (460)	-25	2020 (590)	1910 (560)	1790 (520)	1680 (490)	1570 (460)	1450 (420)	1330 (390)	-30	1710 (500)	1610 (470)	1510 (440)	1410 (410)	1320 (390)	1220 (360)
BMHA008L6 Compressor Model RFT26C1E *	10 (-12.2)	5540 (1620)	5270 (1540)	5000 (1470)	4720 (1380)	4440 (1300)	4160 (1220)	3880 (1140)	5	5040 (1480)	4780 (1400)	4530 (1330)	4270 (1250)	4030 (1180)	3770 (1100)	3510 (1030)	0	4540 (1330)	4320 (1270)	4090 (1200)	3850 (1130)	3630 (1060)	3390 (990)	3150 (920)	-5	4080 (1200)	3870 (1130)	3660 (1070)	3450 (1010)	3230 (950)	3030 (890)	2810 (820)	-10	3640 (1070)	3440 (1010)	3250 (950)	3060 (900)	2870 (840)	2680 (790)	2490 (730)	-15	3210 (940)	3040 (890)	2860 (840)	2700 (790)	2520 (740)	2360 (690)	2180 (640)	-20	2810 (820)	2660 (780)	2500 (730)	2350 (690)	2200 (640)	2050 (600)	1900 (560)	-25	2430 (710)	2300 (670)	2160 (630)	2030 (590)	1900 (560)	1760 (520)	1630 (480)	-30	2080 (610)	1970 (580)	1840 (540)	1730 (510)	1610 (470)	1490 (440)	1380 (400)
BMHA010L6 Compressor Model CF04K6E *	10 (-12.2)	9580 (2808)	8920 (2614)	8250 (2418)	7590 (2225)	6930 (2031)	6280 (1841)	5640 (1653)	5	8530 (2500)	7920 (2321)	7310 (2142)	6710 (1967)	6110 (1791)	5510 (1615)	4930 (1445)	0	7560 (2216)	7010 (2055)	6460 (1893)	5910 (1732)	5370 (1574)	4820 (1413)	4280 (1254)	-5	6680 (1958)	6180 (1811)	5690 (1668)	5180 (1518)	4690 (1375)	4200 (1231)	3720 (1090)	-10	5870 (1720)	5420 (1589)	4970 (1457)	4520 (1325)	4070 (1193)	3640 (1067)	3200 (938)	-15	5110 (1498)	4710 (1380)	4310 (1263)	3900 (1143)	3500 (1026)	3110 (911)	2740 (803)	-20	4390 (1287)	4040 (1184)	3680 (1079)	3320 (973)	2960 (868)	2620 (768)	2290 (671)	-25	3690 (1081)	3370 (988)	3050 (894)	2730 (800)	2420 (709)	2120 (621)	1830 (536)	-30	2990 (876)	2700 (791)	2420 (709)	2130 (624)	1850 (542)	1600 (469)	1350 (396)
BMHA020L6 Compressor Model CF06K6E *	10 (-12.2)	14900 (4367)	14100 (4132)	13200 (3869)	12400 (3634)	11600 (3400)	10700 (3136)	9900 (2902)	5	13600 (3986)	12800 (3751)	12100 (3546)	11300 (3312)	10500 (3077)	9800 (2872)	8990 (2635)	0	12300 (3605)	11600 (3400)	10900 (3195)	10200 (2989)	9500 (2784)	8770 (2570)	8050 (2359)	-5	11000 (3224)	10400 (3048)	9700 (2843)	9100 (2667)	8420 (2468)	7770 (2277)	7130 (2090)	-10	9700 (2843)	9100 (2667)	8530 (2500)	7940 (2327)	7350 (2154)	6780 (1987)	6200 (1817)	-15	8480 (2485)	7920 (2321)	7390 (2166)	6850 (2008)	6320 (1852)	5810 (1703)	5290 (1550)	-20	7270 (2131)	6770 (1984)	6280 (1841)	5800 (1700)	5340 (1565)	4870 (1427)	4430 (1298)	-25	6140 (1800)	5690 (1668)	5240 (1536)	4810 (1410)	4400 (1290)	4010 (1175)	3630 (1064)	-30	5100 (1495)	4680 (1372)	4280 (1254)	3900 (1143)	3550 (1040)	3210 (941)	2900 (850)
BMHA025L6 Compressor Model CF09K6E *	10 (-12.2)	21900 (6419)	20700 (6067)	19500 (5715)	18300 (5363)	17100 (5012)	15900 (4660)	14800 (4338)	5	19900 (5832)	18800 (5510)	17600 (5158)	16500 (4836)	15500 (4543)	14400 (4220)	13300 (3898)	0	17900 (5246)	16900 (4953)	15900 (4660)	14900 (4367)	13800 (4045)	12900 (3781)	11900 (3488)	-5	16000 (4689)	15100 (4426)	14100 (4132)	13200 (3869)	12300 (3605)	11400 (3341)	10500 (3077)	-10	14200 (4162)	13300 (3898)	12500 (3664)	11600 (3400)	10800 (3165)	9980 (2925)	9180 (2691)	-15	12500 (3664)	11700 (3429)	10900 (3195)	10100 (2960)	9370 (2746)	8630 (2529)	7900 (2315)	-20	10800 (3165)	10100 (2960)	9390 (2752)	8690 (2547)	8010 (2348)	7350 (2154)	6700 (1964)	-25	9250 (2711)	8600 (2521)	7970 (2336)	7340 (2151)	6740 (1975)	6150 (1802)	5560 (1630)	-30	7790 (2283)	7210 (2113)	6640 (1946)	6090 (1785)	5540 (1624)	5020 (1471)	4510 (1322)
BMHA031L6 Compressor Model CF12K6E *	10 (-12.2)	27400 (8030)	25900 (7591)	24300 (7122)	22800 (6682)	21300 (6243)	19800 (5803)	18400 (5393)	5	24900 (7298)	23500 (6887)	22100 (6477)	20700 (6067)	19300 (5657)	18000 (5275)	16600 (4865)	0	22500 (6594)	21200 (6213)	19900 (5832)	18700 (5481)	17400 (5100)	16200 (4748)	14900 (4367)	-5	20200 (5920)	19000 (5569)	17900 (5246)	16700 (4894)	15600 (4572)	14400 (4220)	13300 (3898)	-10	18000 (5275)	17000 (4982)	15900 (4660)	14900 (4367)	13800 (4045)	12800 (3751)	11800 (3458)	-15	15900 (4660)	15000 (4396)	14000 (4103)	13100 (3839)	12100 (3546)	11200 (3283)	10300 (3019)	-20	14000 (4103)	13100 (3839)	12200 (3576)	11400 (3341)	10500 (3077)	9670 (2834)	8850 (2594)	-25	12100 (3546)	11300 (3312)	10500 (3077)	9720 (2849)	8940 (2620)	8170 (2394)	7420 (2175)	-30	10300 (3019)	9570 (2805)	8840 (2591)	8120 (2380)	7400 (2169)	6680 (1958)	5990 (1756)

--- Outside Operating Range † Max 40°F RGT * Not suitable for use with R-507

table continues on next page >>>

CAPACITY DATA - R22
HIGH / MEDIUM TEMPERATURE

CONDENSING UNIT MODEL	SATURATED SUCTION TEMPERATURE		CAPACITY BTU/H (WATTS) R22 AMBIENT TEMPERATURE °F (°C)													
	° F	° C	80	(26.6)	85	(29.4)	90	(32.2)	95	(35)	100	(37.8)	105	(40.6)	110	(43.3)
BMHA015H7 Compressor Model CR18K6E	45	(7.2)	20700	(6067)	19800	(5803)	18900	(5539)	18000	(5275)	17100	(5011)	16200	(4748)	---	---
	40	(4.4)	18800	(5510)	18000	(5275)	17100	(5011)	16300	(4777)	15500	(4543)	14600	(4279)	13800	(4044)
	35	(1.7)	17000	(4982)	16200	(4748)	15400	(4513)	14700	(4308)	13900	(4074)	13100	(3839)	12300	(3605)
	30	(-1.1)	15300	(4484)	14500	(4250)	13800	(4044)	13100	(3839)	12300	(3605)	11600	(3400)	10800	(3165)
	25	(-3.9)	13600	(3986)	12900	(3781)	12200	(3575)	11500	(3370)	10800	(3165)	10100	(2960)	9420	(2761)
	20	(-6.7)	12000	(3517)	11400	(3341)	10700	(3136)	10100	(2960)	9410	(2758)	8760	(2567)	8100	(2374)
	15	(-9.4)	10500	(3077)	9930	(2910)	9310	(2728)	8700	(2550)	8090	(2371)	7470	(2189)	6850	(2008)
	10	(-12.2)	9150†	(2682)†	8580†	(2515)†	8000†	(2345)†	7430†	(2178)†	6850†	(2008)†	6260†	(1835)†	5690†	(1668)†
	5	(-15.0)	7870†	(2306)†	7330†	(2148)†	6800†	(1993)†	6250†	(1832)†	5720†	(1676)†	5170†	(1515)†	---	---
0	(-17.8)	6710†	(1966)†	6210†	(1820)†	5720†	(1676)†	5200†	(1524)†	---	---	---	---	---	---	
BMHA020H7 Compressor Model CR24K6E	45	(7.2)	27300	(8001)	26200	(7678)	25200	(7385)	24100	(7063)	23000	(6741)	21900	(6418)	20700	(6067)
	40	(4.4)	24900	(7297)	23900	(7004)	22900	(6711)	21900	(6418)	20800	(6096)	19800	(5803)	18700	(5480)
	35	(1.7)	22600	(6623)	21700	(6360)	20700	(6067)	19800	(5803)	18800	(5510)	17800	(5217)	16800	(4924)
	30	(-1.1)	20400	(5979)	19500	(5715)	18600	(5451)	17700	(5187)	16900	(4953)	15900	(4660)	15000	(4396)
	25	(-3.9)	18300	(5363)	17500	(5129)	16700	(4894)	15800	(4631)	15000	(4396)	14200	(4162)	13300	(3898)
	20	(-6.7)	16300	(4777)	15600	(4572)	14800	(4337)	14000	(4103)	13300	(3898)	12500	(3663)	11700	(3429)
	15	(-9.4)	14400	(4220)	13700	(4015)	13100	(3839)	12400	(3634)	11600	(3400)	10900	(3194)	10200	(2989)
	10	(-12.2)	12700	(3722)	12100	(3546)	11400	(3341)	10800	(3165)	10100	(2960)	9490	(2781)	8800	(2579)
	5	(-15.0)	11100	(3253)	10500	(3077)	9940	(2913)	9360	(2743)	8780	(2573)	8170	(2394)	7540	(2210)
0	(-17.8)	9580	(2808)	9080	(2661)	8580	(2515)	8060	(2362)	7540	(2210)	---	---	---	---	
BMHA025H7 Compressor Model CR32K6E	45	(7.2)	35400	(10375)	34100	(9994)	32800	(9613)	31500	(9232)	30300	(8880)	29000	(8499)	27700	(8118)
	40	(4.4)	32400	(9495)	31200	(9144)	30000	(8792)	28800	(8440)	27600	(8089)	26400	(7737)	25200	(7385)
	35	(1.7)	29500	(8646)	28400	(8323)	27300	(8001)	26200	(7678)	25100	(7356)	24000	(7034)	22900	(6711)
	30	(-1.1)	26800	(7854)	25800	(7561)	24800	(7268)	23800	(6975)	22700	(6653)	21700	(6360)	20700	(6067)
	25	(-3.9)	24200	(7092)	23300	(6829)	22300	(6535)	21400	(6272)	20400	(5979)	19500	(5715)	18600	(5451)
	20	(-6.7)	21800	(6389)	20900	(6125)	20000	(5861)	19100	(5598)	18300	(5363)	17400	(5099)	16600	(4865)
	15	(-9.4)	19400	(5686)	18600	(5451)	17800	(5217)	17000	(4982)	16200	(4748)	15400	(4513)	14600	(4279)
	10	(-12.2)	17200	(5041)	16400	(4806)	15600	(4572)	14900	(4367)	14100	(4132)	13400	(3927)	12700	(3722)
	5	(-15.0)	15000	(4396)	14200	(4162)	13500	(3956)	12800	(3751)	12100	(3546)	11500	(3370)	---	---
0	(-17.8)	12800	(3751)	12100	(3546)	11400	(3341)	10800	(3165)	10100	(2960)	9520	(2790)	---	---	
BMHA031H7 Compressor Model CR38K6E	45	(7.2)	39600	(11606)	38100	(11166)	36600	(10726)	35200	(10316)	33700	(9876)	32300	(9466)	---	---
	40	(4.4)	36400	(10668)	35000	(10257)	33600	(9847)	32200	(9437)	30800	(9027)	29500	(8646)	28200	(8265)
	35	(1.7)	33300	(9759)	32000	(9378)	30700	(8997)	29400	(8616)	28100	(8235)	26800	(7854)	25600	(7503)
	30	(-1.1)	30300	(8880)	29100	(8528)	27900	(8147)	26600	(7796)	25400	(7444)	24200	(7092)	23000	(6741)
	25	(-3.9)	27400	(8030)	26200	(7678)	25100	(7356)	23900	(7004)	22700	(6653)	21600	(6330)	20500	(6008)
	20	(-6.7)	24600	(7210)	23500	(6887)	22400	(6565)	21300	(6242)	20200	(5920)	19100	(5598)	18100	(5305)
	15	(-9.4)	21900	(6418)	20900	(6125)	19800	(5803)	18800	(5510)	17800	(5217)	16800	(4924)	15800	(4631)
	10	(-12.2)	19300	(5656)	18400	(5392)	17400	(5099)	16400	(4806)	15500	(4543)	14500	(4250)	13600	(3986)
	5	(-15.0)	16900	(4953)	16000	(4689)	15100	(4425)	14100	(4132)	13200	(3869)	12300	(3605)	---	---
0	(-17.8)	14600	(4279)	13700	(4015)	12900	(3781)	12000	(3517)	---	---	---	---	---	---	
BMHA035H7 Compressor Model CR42K6E	45	(7.2)	43100	(12631)	41500	(12162)	39800	(11664)	38200	(11195)	36500	(10697)	34800	(10199)	---	---
	40	(4.4)	39700	(11635)	38200	(11195)	36600	(10726)	35100	(10287)	33600	(9847)	32000	(9378)	---	---
	35	(1.7)	36300	(10638)	34900	(10228)	33500	(9818)	32100	(9408)	30700	(8997)	29300	(8587)	27800	(8147)
	30	(-1.1)	33000	(9671)	31700	(9290)	30400	(8909)	29100	(8528)	27900	(8177)	26500	(7766)	25200	(7385)
	25	(-3.9)	29800	(8733)	28600	(8382)	27500	(8059)	26300	(7708)	25100	(7356)	23900	(7004)	22700	(6653)
	20	(-6.7)	26800	(7854)	25700	(7532)	24600	(7210)	23500	(6887)	22400	(6565)	21300	(6242)	20300	(5949)
	15	(-9.4)	23800	(6975)	22800	(6682)	21800	(6389)	20900	(6125)	19900	(5832)	18900	(5539)	17900	(5246)
	10	(-12.2)	21100†	(6184)†	20200†	(5920)†	19200†	(5627)†	18300†	(5363)†	17400†	(5099)†	16500†	(4836)†	15600†	(4572)†
	5	(-15.0)	18500†	(5422)†	17600†	(5158)†	16800†	(4924)†	15900†	(4660)†	15100†	(4425)†	---	---	---	---
0	(-17.8)	16100†	(4718)†	15300†	(4484)†	14500†	(4250)†	13700†	(4015)†	---	---	---	---	---	---	

--- Outside Operating Range † Max 40°F RGT

table continues on next page >>>

CAPACITY DATA - R22
HIGH / MEDIUM TEMPERATURE (cont'd)

CONDENSING UNIT MODEL	SATURATED SUCTION TEMPERATURE		CAPACITY BTU/H (WATTS) R22 AMBIENT TEMPERATURE °F (°C)													
	° F	° C	80	(26.6)	85	(29.4)	90	(32.2)	95	(35)	100	(37.8)	105	(40.6)	110	(43.3)
BMHA040H7 Compressor Model CR53KQE	45	(7.2)	59100	(17320)	56900	(16676)	54700	(16031)	52500	(15386)	50200	(14712)	48000	(14067)	45800	(13423)
	40	(4.4)	54100	(15855)	52100	(15269)	50100	(14683)	48000	(14067)	46000	(13481)	43900	(12866)	41900	(12280)
	35	(1.7)	49300	(14448)	47500	(13921)	45600	(13364)	43700	(12807)	41900	(12280)	40000	(11723)	38100	(11166)
	30	(-1.1)	44700	(13100)	43000	(12602)	41300	(12104)	39600	(11606)	37800	(11078)	36100	(10580)	34400	(10082)
	25	(-3.9)	40200	(11781)	38700	(11342)	37100	(10873)	35500	(10404)	34000	(9964)	32400	(9495)	30800	(9027)
	20	(-6.7)	36000	(10551)	34600	(10140)	33100	(9701)	31700	(9290)	30300	(8880)	28800	(8440)	27400	(8030)
	15	(-9.4)	32000	(9378)	30700	(8997)	29300	(8587)	28000	(8206)	26700	(7825)	25400	(7444)	24100	(7063)
	10	(-12.2)	28200†	(8265)†	27000†	(7913)†	25800†	(7561)†	24500†	(7180)†	23300†	(6829)†	22100†	(6477)†	20900†	(6125)†
	5	(-15.0)	24700†	(7239)†	23600†	(6916)†	22400†	(6565)†	21300†	(6242)†	20200†	(5920)†	19000†	(5568)†	---	---
	0	(-17.8)	21500†	(6301)†	20400†	(5979)†	19300†	(5656)†	18200†	(5334)†	---	---	---	---	---	---
BMHA050H7 Compressor Model CRNQ-050E	45	(7.2)	66700	(19548)	64400	(18874)	62000	(18170)	59800	(17526)	57500	(16852)	55200	(16177)	---	---
	40	(4.4)	61200	(17936)	59100	(17320)	57000	(16705)	54800	(16060)	52700	(15445)	50600	(14829)	---	---
	35	(1.7)	56000	(16412)	54000	(15826)	52100	(15269)	50100	(14683)	48100	(14097)	46200	(13540)	44200	(12954)
	30	(-1.1)	51000	(14947)	49200	(14419)	47400	(13892)	45600	(13364)	43700	(12807)	41900	(12280)	40000	(11723)
	25	(-3.9)	46200	(13540)	44600	(13071)	42900	(12573)	41200	(12074)	39400	(11547)	37700	(11049)	35900	(10521)
	20	(-6.7)	41700	(12221)	40100	(11752)	38500	(11283)	36900	(10814)	35300	(10345)	33600	(9847)	31900	(9349)
	15	(-9.4)	37300	(10932)	35800	(10492)	34300	(10052)	32800	(9613)	31200	(9144)	29600	(8675)	28000	(8206)
	10	(-12.2)	33000†	(9671)†	31600†	(9261)†	30200†	(8851)†	28700†	(8411)†	27300†	(8001)†	25700†	(7532)†	24100†	(7063)†
	5	(-15.0)	28900†	(8470)†	27600†	(8089)†	26200†	(7678)†	24800†	(7268)†	23300†	(6829)†	---	---	---	---
	0	(-17.8)	24900†	(7297)†	23600†	(6916)†	22300†	(6535)†	20900†	(6125)†	---	---	---	---	---	---

--- Outside Operating Range † Max 40°F RGT

**CAPACITY DATA - R407C
HIGH TEMPERATURE**

CONDENSING UNIT MODEL	SATURATED SUCTION TEMPERATURE		CAPACITY BTU/H (WATTS) R407C AMBIENT TEMPERATURE °F (°C)							
	° F	° C	80 (26.6)	85 (29.4)	90 (32.2)	95 (35)	100 (37.8)	105 (40.6)	110 (43.3)	
	BMHT015H7	45 (7.2)	20000 (5860)	19100 (5600)	18300 (5360)	17300 (5070)	16400 (4810)	15300 (4480)	-	-
Compressor Model AWG5520WX	40 (4.4)	18200 (5330)	17400 (5100)	16700 (4890)	15900 (4660)	15000 (4400)	14100 (4130)	13100 (3840)	11800 (3460)	
	35 (1.7)	16300 (4780)	15600 (4570)	15000 (4400)	14300 (4190)	13500 (3960)	12700 (3720)	11800 (3460)	11800 (3460)	
	30 (-1.1)	14400 (4220)	13900 (4070)	13300 (3900)	12700 (3720)	12000 (3520)	11200 (3280)	10450 (3060)	10450 (3060)	
	25 (-3.9)	12700 (3720)	12200 (3580)	11700 (3430)	11100 (3250)	10500 (3080)	9840 (2880)	9090 (2660)	9090 (2660)	
	20 (-6.7)	11100 (3250)	10700 (3140)	10210 (2990)	9690 (2840)	9120 (2670)	8520 (2500)	7810 (2290)	7810 (2290)	
	15 (-9.4)	9840 (2880)	9410 (2760)	8960 (2630)	8460 (2480)	7930 (2320)	7330 (2150)	6690 (1960)	6690 (1960)	
	10 (-12.2)	8900 (2610)	8440 (2470)	7990 (2340)	7510 (2200)	6980 (2050)	6410 (1880)	5760 (1690)	5760 (1690)	
BMHT020H7	45 (7.2)	25400 (7440)	24500 (7180)	23400 (6860)	22400 (6560)	21200 (6210)	20200 (5920)	19100 (5600)	17200 (5040)	
Compressor Model AWG5524WX	40 (4.4)	23000 (6740)	22100 (6480)	21100 (6180)	20200 (5920)	19200 (5630)	18200 (5330)	17200 (5040)	17200 (5040)	
	35 (1.7)	20500 (6010)	19700 (5770)	18800 (5510)	18000 (5280)	17100 (5010)	16200 (4750)	15300 (4480)	15300 (4480)	
	30 (-1.1)	18200 (5330)	17400 (5100)	16600 (4860)	15800 (4630)	14900 (4370)	14200 (4160)	13300 (3900)	13300 (3900)	
	25 (-3.9)	16000 (4690)	15200 (4450)	14500 (4250)	13700 (4020)	12900 (3780)	12100 (3550)	11400 (3340)	11400 (3340)	
	20 (-6.7)	14000 (4100)	13200 (3870)	12500 (3660)	11700 (3430)	10900 (3190)	10200 (2990)	9500 (2780)	9500 (2780)	
	15 (-9.4)	12200 (3580)	11400 (3340)	10700 (3140)	9890 (2900)	9140 (2680)	8410 (2460)	7730 (2270)	7730 (2270)	
	10 (-12.2)	10700 (3140)	9930 (2910)	9120 (2670)	8330 (2440)	7560 (2220)	6810 (2000)	6130 (1800)	6130 (1800)	
BMHT025H7	45 (7.2)	30900 (9060)	29900 (8760)	28800 (8440)	27500 (8060)	26400 (7740)	25100 (7360)	23900 (7000)	21700 (6360)	
Compressor Model AWG5530WX	40 (4.4)	28000 (8210)	27200 (7970)	26100 (7650)	25000 (7330)	23900 (7000)	22800 (6680)	21700 (6360)	21700 (6360)	
	35 (1.7)	25500 (7470)	24700 (7240)	23700 (6950)	22700 (6650)	21600 (6330)	20600 (6040)	19600 (5740)	19600 (5740)	
	30 (-1.1)	23000 (6740)	22300 (6540)	21400 (6270)	20500 (6010)	19500 (5710)	18600 (5450)	17600 (5160)	17600 (5160)	
	25 (-3.9)	20700 (6070)	20100 (5890)	19200 (5630)	18400 (5390)	17400 (5100)	16600 (4860)	15800 (4630)	15800 (4630)	
	20 (-6.7)	18400 (5390)	17900 (5250)	17100 (5010)	16300 (4780)	15400 (4510)	14600 (4280)	13900 (4070)	13900 (4070)	
	15 (-9.4)	16100 (4720)	15600 (4570)	14900 (4370)	14200 (4160)	13400 (3930)	12700 (3720)	12000 (3520)	12000 (3520)	
	10 (-12.2)	13800 (4040)	13300 (3900)	12700 (3720)	12100 (3550)	11300 (3310)	10600 (3110)	9930 (2910)	9930 (2910)	
BMHT030H7	45 (7.2)	38600 (11310)	37200 (10900)	35500 (10400)	33900 (9940)	32300 (9470)	30700 (9000)	-	-	
Compressor Model AVA5538WX	40 (4.4)	35300 (10350)	33900 (9940)	32400 (9500)	31000 (9090)	29500 (8650)	27900 (8180)	26500 (7770)	26500 (7770)	
	35 (1.7)	31900 (9350)	30700 (9000)	29300 (8590)	27900 (8180)	26600 (7800)	25200 (7390)	23800 (6980)	23800 (6980)	
	30 (-1.1)	28700 (8410)	27400 (8030)	26300 (7710)	25000 (7330)	23700 (6950)	22500 (6590)	21200 (6210)	21200 (6210)	
	25 (-3.9)	25400 (7440)	24400 (7150)	23200 (6800)	22200 (6510)	21000 (6150)	19800 (5800)	18700 (5480)	18700 (5480)	
	20 (-6.7)	22400 (6560)	21400 (6270)	20400 (5980)	19300 (5660)	18400 (5390)	17200 (5040)	16200 (4750)	16200 (4750)	
	15 (-9.4)	19600 (5740)	18700 (5480)	17700 (5190)	16800 (4920)	15900 (4660)	14800 (4340)	13900 (4070)	13900 (4070)	
	10 (-12.2)	17100 (5010)	16300 (4780)	15300 (4480)	14400 (4220)	13500 (3960)	12600 (3690)	11700 (3430)	11700 (3430)	
BMHT035H7	45 (7.2)	47700 (13980)	45000 (13190)	42600 (12480)	40300 (11810)	38300 (11220)	36300 (10640)	34400 (10080)	31300 (9300)	
Compressor Model AVA5542WX	40 (4.4)	42700 (12510)	40300 (11810)	38100 (11170)	36100 (10580)	34200 (10020)	32400 (9500)	30800 (9030)	30800 (9030)	
	35 (1.7)	38000 (11140)	35800 (10490)	33700 (9880)	31900 (9350)	30200 (8850)	28700 (8410)	27200 (7970)	27200 (7970)	
	30 (-1.1)	33400 (9790)	31400 (9200)	29600 (8670)	28000 (8210)	26500 (7770)	25100 (7360)	23700 (6950)	23700 (6950)	
	25 (-3.9)	29200 (8560)	27400 (8030)	25800 (7560)	24400 (7150)	23100 (6770)	21800 (6390)	20700 (6070)	20700 (6070)	
	20 (-6.7)	25300 (7410)	23700 (6950)	22400 (6560)	21200 (6210)	20100 (5890)	19000 (5570)	18100 (5300)	18100 (5300)	
	15 (-9.4)	21900 (6420)	20700 (6070)	19500 (5710)	18600 (5450)	17600 (5160)	16800 (4920)	15900 (4660)	15900 (4660)	
	10 (-12.2)	19200 (5630)	18200 (5330)	17300 (5070)	16500 (4840)	15800 (4630)	15000 (4400)	14300 (4190)	14300 (4190)	
BMHT040H7	45 (7.2)	54100 (15860)	51800 (15180)	49400 (14480)	46800 (13720)	44400 (13010)	42000 (12310)	39500 (11580)	35300 (10350)	
Compressor Model AGA5553WX	40 (4.4)	48700 (14270)	46600 (13660)	44300 (12980)	42100 (12340)	39800 (11660)	37600 (11020)	35300 (10350)	35300 (10350)	
	35 (1.7)	43600 (12780)	41700 (12220)	39700 (11630)	37600 (11020)	35500 (10400)	33400 (9790)	31300 (9170)	31300 (9170)	
	30 (-1.1)	38700 (11340)	37100 (10870)	35200 (10320)	33400 (9790)	31500 (9230)	29500 (8650)	27600 (8090)	27600 (8090)	
	25 (-3.9)	34200 (10020)	32800 (9610)	31100 (9110)	29400 (8620)	27600 (8090)	25900 (7590)	24200 (7090)	24200 (7090)	
	20 (-6.7)	30000 (8790)	28800 (8440)	27300 (8000)	25700 (7530)	24200 (7090)	22600 (6620)	20900 (6130)	20900 (6130)	
	15 (-9.4)	26300 (7710)	25100 (7360)	23700 (6950)	22400 (6560)	20900 (6130)	19400 (5690)	17900 (5250)	17900 (5250)	
	10 (-12.2)	22700 (6650)	21700 (6360)	20600 (6040)	19300 (5660)	18000 (5280)	16600 (4860)	15100 (4430)	15100 (4430)	
BMHT045H7	45 (7.2)	59900 (17550)	57000 (16700)	54300 (15910)	51700 (15150)	49000 (14360)	46500 (13630)	-	-	
Compressor Model AGA5561WX	40 (4.4)	54600 (16000)	52100 (15270)	49600 (14540)	47000 (13770)	44600 (13070)	42300 (12400)	40100 (11750)	40100 (11750)	
	35 (1.7)	49500 (14510)	47100 (13800)	44700 (13100)	42500 (12460)	40200 (11780)	38100 (11170)	36000 (10550)	36000 (10550)	
	30 (-1.1)	44400 (13010)	42200 (12370)	40100 (11750)	38000 (11140)	35900 (10520)	33900 (9940)	32000 (9380)	32000 (9380)	
	25 (-3.9)	39600 (11610)	37600 (11020)	35600 (10430)	33600 (9850)	31700 (9290)	29800 (8730)	28000 (8210)	28000 (8210)	
	20 (-6.7)	35100 (10290)	33200 (9730)	31400 (9200)	29500 (8650)	27700 (8120)	25900 (7590)	24300 (7120)	24300 (7120)	
	15 (-9.4)	31000 (9090)	29200 (8560)	27400 (8030)	25700 (7530)	23900 (7000)	22300 (6540)	20600 (6040)	20600 (6040)	
	10 (-12.2)	27300 (8000)	25600 (7500)	23900 (7000)	22300 (6540)	20500 (6010)	18800 (5510)	17200 (5040)	17200 (5040)	
BMHT050H7	45 (7.2)	68000 (19930)	65700 (19250)	63300 (18550)	60900 (17850)	58500 (17140)	56000 (16410)	53300 (15620)	47700 (13980)	
Compressor Model AGA5568WX	40 (4.4)	61500 (18020)	59400 (17410)	57200 (16760)	55000 (16120)	52600 (15420)	50200 (14710)	47700 (13980)	47700 (13980)	
	35 (1.7)	55200 (16180)	53300 (15620)	51300 (15030)	49400 (14480)	47100 (13800)	44900 (13160)	42500 (12460)	42500 (12460)	
	30 (-1.1)	49200 (14420)	47600 (13950)	45900 (13450)	44100 (12920)	42100 (12340)	39900 (11690)	37700 (11050)	37700 (11050)	
	25 (-3.9)	43600 (12780)	42200 (12370)	40800 (11960)	39200 (11490)	37400 (10960)	35500 (10400)	33300 (9760)	33300 (9760)	
	20 (-6.7)	38200 (11200)	37300 (10930)	36100 (10580)	34800 (10200)	33200 (9730)	31400 (9200)	29400 (8620)	29400 (8620)	
	15 (-9.4)	33400 (9790)	32800 (9610)	31900 (9350)	30900 (9060)	29500 (8650)	27900 (8180)	26000 (7620)	26000 (7620)	
	10 (-12.2)	29100 (8530)	28900 (8470)	28400 (8320)	27500 (8060)	26400 (7740)	24900 (7300)	23200 (6800)	23200 (6800)	

NOTES: - Above ratings are based on mean temperature. - To convert to dew point ratings, use 0.95 multiplier.

CAPACITY DATA - R404A R507
MEDIUM TEMPERATURE

CONDENSING UNIT MODEL	SATURATED SUCTION TEMPERATURE		CAPACITY BTU/H (WATTS) R404A R507								AMBIENT TEMPERATURE °F (°C)	
	° F	° C	80 (26.6)	85 (29.4)	90 (32.2)	95 (35)	100 (37.8)	105 (40.6)	110 (43.3)			
BMHT006M6 Compressor Model AKA9451ZXD	30 (-1.1)		8250 (2420)	7810 (2290)	7370 (2160)	6950 (2040)	6530 (1910)	6120 (1790)	-	-		
	25 (-3.9)		7490 (2200)	7070 (2070)	6650 (1950)	6250 (1830)	5860 (1720)	5480 (1610)	-	-		
	20 (-6.7)		6790 (1990)	6380 (1870)	5980 (1750)	5600 (1640)	5230 (1530)	4870 (1430)	-	-		
	15 (-9.4)		6180 (1810)	5780 (1690)	5390 (1580)	5020 (1470)	4660 (1370)	4310 (1260)	3960 (1160)			
	10 (-12.2)		5680 (1660)	5260 (1540)	4880 (1430)	4510 (1320)	4150 (1220)	3800 (1110)	3460 (1010)			
	5 (-15)		5260 (1540)	4850 (1420)	4460 (1310)	4090 (1200)	3720 (1090)	3370 (990)	3020 (890)			
0 (-17.8)		4990 (1460)	4550 (1330)	4150 (1220)	3760 (1100)	3380 (990)	3020 (890)	2660 (780)				
BMHT008M6 Compressor Model AKA9455ZXD	30 (-1.1)		9900 (2900)	9390 (2750)	8900 (2610)	8400 (2460)	7910 (2320)	7430 (2180)	6940 (2030)			
	25 (-3.9)		9030 (2650)	8570 (2510)	8110 (2380)	7650 (2240)	7200 (2110)	6750 (1980)	6300 (1850)			
	20 (-6.7)		8180 (2400)	7750 (2270)	7320 (2150)	6900 (2020)	6480 (1900)	6060 (1780)	5640 (1650)			
	15 (-9.4)		7340 (2150)	6950 (2040)	6550 (1920)	6160 (1810)	5770 (1690)	5380 (1580)	5000 (1470)			
	10 (-12.2)		6560 (1920)	6190 (1810)	5820 (1710)	5450 (1600)	5090 (1490)	4730 (1390)	4380 (1280)			
	5 (-15)		5830 (1710)	5480 (1610)	5140 (1510)	4800 (1410)	4460 (1310)	4130 (1210)	3800 (1110)			
0 (-17.8)		5180 (1520)	4860 (1420)	4540 (1330)	4220 (1240)	3900 (1140)	3590 (1050)	3290 (960)				
BMHT010M6 Compressor Model AKA9462ZXD	30 (-1.1)		10800 (3170)	10300 (3020)	9790 (2870)	9270 (2720)	8740 (2560)	8230 (2410)	7710 (2260)			
	25 (-3.9)		9900 (2900)	9400 (2750)	8920 (2610)	8430 (2470)	7930 (2320)	7450 (2180)	6960 (2040)			
	20 (-6.7)		9010 (2640)	8560 (2510)	8100 (2370)	7630 (2240)	7180 (2100)	6730 (1970)	6270 (1840)			
	15 (-9.4)		8170 (2390)	7750 (2270)	7310 (2140)	6890 (2020)	6460 (1890)	6040 (1770)	5610 (1640)			
	10 (-12.2)		7340 (2150)	6950 (2040)	6560 (1920)	6160 (1810)	5770 (1690)	5370 (1570)	4990 (1460)			
	5 (-15)		6540 (1920)	6180 (1810)	5810 (1700)	5450 (1600)	5080 (1490)	4720 (1380)	4360 (1280)			
0 (-17.8)		5720 (1680)	5390 (1580)	5060 (1480)	4720 (1380)	4380 (1280)	4050 (1190)	3720 (1090)				
BMHT015M6 Compressor Model AWA9490ZX	30 (-1.1)		16300 (4780)	15300 (4480)	14400 (4220)	13400 (3930)	12500 (3660)	11500 (3370)	10600 (3110)			
	25 (-3.9)		14900 (4370)	14000 (4100)	13200 (3870)	12300 (3600)	11500 (3370)	10600 (3110)	9740 (2850)			
	20 (-6.7)		13500 (3960)	12700 (3720)	11900 (3490)	11200 (3280)	10400 (3050)	9620 (2820)	8850 (2590)			
	15 (-9.4)		12100 (3550)	11400 (3340)	10700 (3140)	9990 (2930)	9290 (2720)	8600 (2520)	7920 (2320)			
	10 (-12.2)		10800 (3170)	10100 (2960)	9480 (2780)	8840 (2590)	8210 (2410)	7590 (2220)	6980 (2050)			
	5 (-15)		9520 (2790)	8910 (2610)	8320 (2440)	7750 (2270)	7180 (2100)	6620 (1940)	6080 (1780)			
0 (-17.8)		8380 (2460)	7820 (2290)	7270 (2130)	6740 (1980)	6220 (1820)	5720 (1680)	5230 (1530)				
BMHT020M6 Compressor Model AWA7512ZX	30 (-1.1)		20700 (6070)	19700 (5770)	18700 (5480)	17700 (5190)	16600 (4860)	15600 (4570)	14600 (4280)			
	25 (-3.9)		18900 (5540)	17900 (5250)	17000 (4980)	16000 (4690)	15100 (4430)	14100 (4130)	13200 (3870)			
	20 (-6.7)		17000 (4980)	16200 (4750)	15300 (4480)	14400 (4220)	13500 (3960)	12700 (3720)	11800 (3460)			
	15 (-9.4)		15300 (4480)	14500 (4250)	13700 (4020)	12900 (3780)	12100 (3550)	11300 (3310)	10500 (3080)			
	10 (-12.2)		13600 (3990)	12900 (3780)	12100 (3550)	11400 (3340)	10700 (3140)	9920 (2910)	9200 (2700)			
	5 (-15)		12000 (3520)	11300 (3310)	10700 (3140)	9990 (2930)	9310 (2730)	8640 (2530)	7980 (2340)			
0 (-17.8)		10500 (3080)	9900 (2900)	9290 (2720)	8680 (2540)	8060 (2360)	7460 (2190)	6850 (2010)				
BMHT0256M6 Compressor Model AWA7515ZX	30 (-1.1)		25800 (7560)	24700 (7240)	23500 (6890)	22400 (6560)	21200 (6210)	20000 (5860)	18900 (5540)			
	25 (-3.9)		23700 (6950)	22600 (6620)	21600 (6330)	20500 (6010)	19400 (5690)	18300 (5360)	17300 (5070)			
	20 (-6.7)		21500 (6300)	20600 (6040)	19600 (5740)	18600 (5450)	17600 (5160)	16700 (4890)	15600 (4570)			
	15 (-9.4)		19500 (5710)	18600 (5450)	17700 (5190)	16800 (4920)	15900 (4660)	15000 (4400)	14000 (4100)			
	10 (-12.2)		17400 (5100)	16600 (4860)	15800 (4630)	15000 (4400)	14200 (4160)	13300 (3900)	12500 (3660)			
	5 (-15)		15500 (4540)	14800 (4340)	14000 (4100)	13300 (3900)	12500 (3660)	11700 (3430)	10900 (3190)			
0 (-17.8)		13700 (4020)	13000 (3810)	12300 (3600)	11600 (3400)	10900 (3190)	10200 (2990)	9500 (2780)				
BMHT030M6 Compressor Model AVA9519ZX	30 (-1.1)		40600 (11900)	38600 (11310)	36600 (10730)	34600 (10140)	32600 (9550)	30600 (8970)	28600 (8380)			
	25 (-3.9)		36600 (10730)	34800 (10200)	32900 (9640)	31100 (9110)	29300 (8590)	27500 (8060)	25700 (7530)			
	20 (-6.7)		32900 (9640)	31200 (9140)	29500 (8650)	27900 (8180)	26200 (7680)	24600 (7210)	22900 (6710)			
	15 (-9.4)		29400 (8620)	27900 (8180)	26300 (7710)	24800 (7270)	23400 (6860)	21900 (6420)	20400 (5980)			
	10 (-12.2)		26200 (7680)	24800 (7270)	23400 (6860)	22000 (6450)	20700 (6070)	19300 (5660)	18000 (5280)			
	5 (-15)		23200 (6800)	21900 (6420)	20600 (6040)	19400 (5690)	18200 (5330)	17000 (4980)	15800 (4630)			
0 (-17.8)		20400 (5980)	19200 (5630)	18100 (5300)	17000 (4980)	15900 (4660)	14800 (4340)	13700 (4020)				
KEHT036M6 Compressor Model AVA7524ZX	30 (-1.1)		31900 (9350)	30300 (8880)	28700 (8410)	27100 (7940)	25500 (7470)	23900 (7000)	22200 (6510)			
	25 (-3.9)		29100 (8530)	27600 (8090)	26000 (7620)	24500 (7180)	23000 (6740)	21400 (6270)	19900 (5830)			
	20 (-6.7)		26700 (7820)	25200 (7390)	23700 (6950)	22200 (6510)	20800 (6100)	19300 (5660)	17900 (5250)			
	15 (-9.4)		24600 (7210)	23100 (6770)	21700 (6360)	20200 (5920)	18800 (5510)	17500 (5130)	16100 (4720)			
	10 (-12.2)		22700 (6650)	21200 (6210)	19800 (5800)	18400 (5390)	17100 (5010)	15700 (4600)	14400 (4220)			
	5 (-15)		21000 (6150)	19500 (5710)	18100 (5300)	16700 (4890)	15400 (4510)	14100 (4130)	12800 (3750)			
0 (-17.8)		19300 (5660)	17800 (5220)	16400 (4810)	15000 (4400)	13700 (4020)	12400 (3630)	11100 (3250)				
BMHT040M6 Compressor Model AVA9528ZX	30 (-1.1)		47300 (13860)	45100 (13220)	42900 (12570)	40700 (11930)	38500 (11280)	36300 (10640)	34000 (9960)			
	25 (-3.9)		42700 (12510)	40700 (11930)	38600 (11310)	36600 (10730)	34500 (10110)	32400 (9500)	30400 (8910)			
	20 (-6.7)		38500 (11280)	36600 (10730)	34700 (10170)	32800 (9610)	30900 (9060)	29000 (8500)	27000 (7910)			
	15 (-9.4)		34600 (10140)	32800 (9610)	31000 (9090)	29300 (8590)	27500 (8060)	25800 (7560)	24100 (7060)			
	10 (-12.2)		31000 (9090)	29300 (8590)	27700 (8120)	26100 (7650)	24500 (7180)	22900 (6710)	21400 (6270)			
	5 (-15)		27600 (8090)	26100 (7650)	24600 (7210)	23200 (6800)	21700 (6360)	20300 (5950)	18900 (5540)			
0 (-17.8)		24400 (7150)	23100 (6770)	21700 (6360)	20400 (5980)	19200 (5630)	17900 (5250)	16700 (4890)				

-- Outside Operating Range † Max 40°F RGT

table continues on next page >>>

CAPACITY DATA - R404A R507
MEDIUM TEMPERATURE (cont'd)

CONDENSING UNIT MODEL	SATURATED SUCTION TEMPERATURE		CAPACITY BTU/H (WATTS) R404A R507 AMBIENT TEMPERATURE °F (°C)							
	° F	° C	80 (26.6)	85 (29.4)	90 (32.2)	95 (35)	100 (37.8)	105 (40.6)	110 (43.3)	
	BMHT050M6	30 (-1.1)		53700 (15740)	51000 (14950)	48400 (14180)	45700 (13390)	43000 (12600)	40300 (11810)	37600 (11020)
	25 (-3.9)		48900 (14330)	46400 (13600)	43900 (12870)	41500 (12160)	39000 (11430)	36500 (10700)	34000 (9960)	
	20 (-6.7)		44200 (12950)	41900 (12280)	39600 (11610)	37300 (10930)	35000 (10260)	32700 (9580)	30500 (8940)	
Compressor Model	15 (-9.4)		39800 (11660)	37600 (11020)	35400 (10370)	33300 (9760)	31200 (9140)	29100 (8530)	27000 (7910)	
AGA9530ZX	10 (-12.2)		35500 (10400)	33500 (9820)	31400 (9200)	29500 (8650)	27500 (8060)	25600 (7500)	23700 (6950)	
	5 (-15)		31600 (9260)	29600 (8670)	27700 (8120)	25900 (7590)	24100 (7060)	22300 (6540)	20600 (6040)	
	0 (-17.8)		28000 (8210)	26200 (7680)	24400 (7150)	22700 (6650)	21000 (6150)	19400 (5690)	17800 (5220)	

CAPACITY DATA - R404A R507
LOW TEMPERATURE

CONDENSING UNIT MODEL	SATURATED SUCTION TEMPERATURE		CAPACITY BTU/H (WATTS) R404A R507 AMBIENT TEMPERATURE °F (°C)							
	° F	° C	80 (26.6)	85 (29.4)	90 (32.2)	95 (35)	100 (37.8)	105 (40.6)	110 (43.3)	
	BMHT008L6	0 (-17.8)		5430 (1590)	5000 (1470)	4590 (1350)	4230 (1240)	3890 (1140)	3570 (1050)	3280 (960)
	-5 (-20.6)		4750 (1390)	4350 (1270)	3990 (1170)	3660 (1070)	3360 (980)	3080 (900)	2820 (830)	
	-10 (-23.3)		4110 (1200)	3750 (1100)	3420 (1000)	3120 (910)	2850 (840)	2620 (770)	2390 (700)	
Compressor Model	-15 (-26.1)		3520 (1030)	3180 (930)	2880 (840)	2630 (770)	2390 (700)	2180 (640)	1980 (580)	
AJA2425ZXD	-20 (-28.9)		2990 (880)	2670 (780)	2400 (700)	2160 (630)	1960 (570)	1770 (520)	1610 (470)	
	-25 (-31.7)		2490 (730)	2200 (640)	1960 (570)	1740 (510)	1570 (460)	1400 (410)	1250 (370)	
	-30 (-34.4)		2060 (600)	1790 (520)	1570 (460)	1370 (400)	1210 (350)	1060 (310)	930 (270)	
BMHT010L6	0 (-17.8)		7210 (2110)	6710 (1970)	6190 (1810)	5690 (1670)	5170 (1520)	4660 (1370)	4150 (1220)	
	-5 (-20.6)		6450 (1890)	5970 (1750)	5510 (1610)	5040 (1480)	4570 (1340)	4110 (1200)	3640 (1070)	
	-10 (-23.3)		5690 (1670)	5260 (1540)	4830 (1420)	4410 (1290)	3990 (1170)	3560 (1040)	3130 (920)	
Compressor Model	-15 (-26.1)		4930 (1440)	4550 (1330)	4170 (1220)	3790 (1110)	3410 (1000)	3030 (890)	2650 (780)	
AWA2440ZX	-20 (-28.9)		4200 (1230)	3860 (1130)	3530 (1030)	3190 (930)	2850 (840)	2520 (740)	2180 (640)	
	-25 (-31.7)		3500 (1030)	3210 (940)	2910 (850)	2630 (770)	2340 (690)	2050 (600)	1760 (520)	
	-30 (-34.4)		2840 (830)	2600 (760)	2350 (690)	2110 (620)	1860 (550)	1630 (480)	1380 (400)	
BMHT011L6	0 (-17.8)		8970 (2630)	8360 (2450)	7770 (2280)	7170 (2100)	6590 (1930)	6030 (1770)	5470 (1600)	
	-5 (-20.6)		7980 (2340)	7430 (2180)	6870 (2010)	6310 (1850)	5780 (1690)	5250 (1540)	4740 (1390)	
	-10 (-23.3)		7010 (2050)	6500 (1900)	5980 (1750)	5480 (1610)	4990 (1460)	4500 (1320)	4030 (1180)	
Compressor Model	-15 (-26.1)		6080 (1780)	5600 (1640)	5130 (1500)	4680 (1370)	4220 (1240)	3780 (1110)	3350 (980)	
AWA2450ZX	-20 (-28.9)		5180 (1520)	4750 (1390)	4330 (1270)	3900 (1140)	3490 (1020)	3100 (910)	2710 (790)	
	-25 (-31.7)		4350 (1270)	3960 (1160)	3560 (1040)	3190 (930)	2820 (830)	2470 (720)	2130 (620)	
	-30 (-34.4)		3570 (1050)	3220 (940)	2870 (840)	2540 (740)	2220 (650)	1910 (560)	1620 (470)	
BMHT020L6	0 (-17.8)		12000 (3520)	11200 (3280)	10500 (3080)	9650 (2830)	8870 (2600)	8110 (2380)	7360 (2160)	
	-5 (-20.6)		10800 (3170)	10000 (2930)	9300 (2730)	8560 (2510)	7830 (2290)	7120 (2090)	6420 (1880)	
	-10 (-23.3)		9530 (2790)	8870 (2600)	8200 (2400)	7520 (2200)	6840 (2000)	6170 (1810)	5530 (1620)	
Compressor Model	-15 (-26.1)		8340 (2440)	7750 (2270)	7140 (2090)	6520 (1910)	5900 (1730)	5280 (1550)	4690 (1370)	
AWA2460ZX	-20 (-28.9)		7200 (2110)	6670 (1950)	6140 (1800)	5570 (1630)	5020 (1470)	4460 (1310)	3910 (1150)	
	-25 (-31.7)		6090 (1780)	5640 (1650)	5170 (1520)	4690 (1370)	4180 (1230)	3680 (1080)	3180 (930)	
	-30 (-34.4)		5030 (1470)	4660 (1370)	4260 (1250)	3830 (1120)	3400 (1000)	2960 (870)	2510 (740)	
BMHT025L6	0 (-17.8)		17500 (5130)	16500 (4840)	15400 (4510)	14300 (4190)	13300 (3900)	12200 (3580)	11200 (3280)	
	-5 (-20.6)		15600 (4570)	14700 (4310)	13700 (4020)	12800 (3750)	11800 (3460)	10800 (3170)	9890 (2900)	
	-10 (-23.3)		13800 (4040)	13000 (3810)	12100 (3550)	11300 (3310)	10400 (3050)	9520 (2790)	8660 (2540)	
Compressor Model	-15 (-26.1)		12100 (3550)	11400 (3340)	10600 (3110)	9860 (2890)	9060 (2660)	8280 (2430)	7520 (2200)	
AVA2490ZX	-20 (-28.9)		10500 (3080)	9870 (2890)	9220 (2700)	8530 (2500)	7830 (2290)	7130 (2090)	6440 (1890)	
	-25 (-31.7)		8940 (2620)	8440 (2470)	7880 (2310)	7280 (2130)	6660 (1950)	6040 (1770)	5420 (1590)	
	-30 (-34.4)		7490 (2200)	7080 (2070)	6610 (1940)	6100 (1790)	5560 (1630)	5010 (1470)	4460 (1310)	
BMHT030L6	0 (-17.8)		22700 (6650)	21300 (6240)	19900 (5830)	18500 (5420)	17100 (5010)	15800 (4630)	14500 (4250)	
	-5 (-20.6)		20300 (5950)	19000 (5570)	17800 (5220)	16500 (4840)	15200 (4450)	14000 (4100)	12800 (3750)	
	-10 (-23.3)		18000 (5280)	16900 (4950)	15700 (4600)	14600 (4280)	13500 (3960)	12300 (3600)	11200 (3280)	
Compressor Model	-15 (-26.1)		15800 (4630)	14800 (4340)	13800 (4040)	12800 (3750)	11800 (3460)	10800 (3170)	9750 (2860)	
AVA2512ZX	-20 (-28.9)		13700 (4020)	12900 (3780)	12000 (3520)	11100 (3250)	10200 (2990)	9260 (2710)	8360 (2450)	
	-25 (-31.7)		11700 (3430)	11000 (3220)	10300 (3020)	9480 (2780)	8670 (2540)	7860 (2300)	7060 (2070)	
	-30 (-34.4)		9790 (2870)	9250 (2710)	8630 (2530)	7950 (2330)	7240 (2120)	6520 (1910)	5800 (1700)	

--- Outside Operating Range † Max 40°F RGT

CONDENSING UNIT MODEL	SATURATED SUCTION TEMPERATURE		CAPACITY BTU/H (WATTS) R22 AMBIENT TEMPERATURE °F (°C)									
	° F	° C	80 (26.6)	85 (29.4)	90 (32.2)	95 (35)	100 (37.8)	105 (40.6)	110 (43.3)			
BMHT015H7 Compressor Model AWG5520WX	45 (7.2)		21800 (6390)	20900 (6130)	20100 (5890)	19300 (5660)	18400 (5390)	17600 (5160)	-	-		
	40 (4.4)		19900 (5830)	19100 (5600)	18300 (5360)	17600 (5160)	16800 (4920)	16000 (4690)	-	-		
	35 (1.7)		18100 (5300)	17400 (5100)	16700 (4890)	16000 (4690)	15200 (4450)	14500 (4250)	13800 (4040)			
	30 (-1.1)		16400 (4810)	15700 (4600)	15000 (4400)	14400 (4220)	13700 (4020)	13100 (3840)	12500 (3660)			
	25 (-3.9)		14700 (4310)	14100 (4130)	13500 (3960)	12900 (3780)	12300 (3600)	11700 (3430)	11100 (3250)			
	20 (-6.7)		13100 (3840)	12600 (3690)	12000 (3520)	11500 (3370)	10900 (3190)	10400 (3050)	9880 (2900)			
	15 (-9.4)		11700 (3430)	11100 (3250)	10600 (3110)	10100 (2960)	9640 (2830)	9160 (2680)	8680 (2540)			
10 (-12.2)		10300 (3020)	9800 (2870)	9330 (2730)	8870 (2600)	8420 (2470)	7980 (2340)	7550 (2210)				
BMHT020H7 Compressor Model AWG5524WX	45 (7.2)		28000 (8210)	27000 (7910)	26000 (7620)	25100 (7360)	24100 (7060)	23100 (6770)	22200 (6510)			
	40 (4.4)		25500 (7470)	24600 (7210)	23700 (6950)	22800 (6680)	21900 (6420)	21000 (6150)	20100 (5890)			
	35 (1.7)		23100 (6770)	22300 (6540)	21500 (6300)	20600 (6040)	19800 (5800)	19000 (5570)	18200 (5330)			
	30 (-1.1)		20900 (6130)	20100 (5890)	19400 (5690)	18600 (5450)	17800 (5220)	17100 (5010)	16300 (4780)			
	25 (-3.9)		18800 (5510)	18100 (5300)	17400 (5100)	16700 (4890)	16000 (4690)	15300 (4480)	14600 (4280)			
	20 (-6.7)		16800 (4920)	16100 (4720)	15500 (4540)	14800 (4340)	14200 (4160)	13500 (3960)	12900 (3780)			
	15 (-9.4)		14900 (4370)	14300 (4190)	13700 (4020)	13100 (3840)	12500 (3660)	11900 (3490)	11300 (3310)			
10 (-12.2)		13100 (3840)	12600 (3690)	12000 (3520)	11500 (3370)	10900 (3190)	10400 (3050)	9840 (2880)				
BMHT025H7 Compressor Model AWG5530WX	45 (7.2)		33500 (9820)	32500 (9520)	31500 (9230)	30400 (8910)	29300 (8590)	28300 (8290)	27100 (7940)			
	40 (4.4)		30700 (9000)	29700 (8700)	28700 (8410)	27800 (8150)	26800 (7850)	25800 (7560)	24800 (7270)			
	35 (1.7)		27900 (8180)	27000 (7910)	26100 (7650)	25200 (7390)	24300 (7120)	23400 (6860)	22500 (6590)			
	30 (-1.1)		25300 (7410)	24500 (7180)	23700 (6950)	22800 (6680)	22000 (6450)	21200 (6210)	20300 (5950)			
	25 (-3.9)		22800 (6680)	22000 (6450)	21300 (6240)	20500 (6010)	19800 (5800)	19000 (5570)	18200 (5330)			
	20 (-6.7)		20400 (5980)	19700 (5770)	19000 (5570)	18400 (5390)	17700 (5190)	17000 (4980)	16300 (4780)			
	15 (-9.4)		18200 (5330)	17500 (5130)	16900 (4950)	16300 (4780)	15600 (4570)	15000 (4400)	14400 (4220)			
10 (-12.2)		16100 (4720)	15500 (4540)	14900 (4370)	14300 (4190)	13700 (4020)	13100 (3840)	12600 (3690)				
BMHT030H7 Compressor Model AVA5538WX	45 (7.2)		41800 (12250)	40200 (11780)	38600 (11310)	37000 (10840)	35500 (10400)	33900 (9940)	-	-		
	40 (4.4)		38200 (11200)	36700 (10760)	35200 (10320)	33800 (9910)	32300 (9470)	30800 (9030)	29300 (8590)			
	35 (1.7)		34600 (10140)	33200 (9730)	31900 (9350)	30500 (8940)	29200 (8560)	27800 (8150)	26500 (7770)			
	30 (-1.1)		31100 (9110)	29900 (8760)	28700 (8410)	27400 (8030)	26200 (7680)	24900 (7300)	23700 (6950)			
	25 (-3.9)		27800 (8150)	26700 (7820)	25600 (7500)	24500 (7180)	23300 (6830)	22200 (6510)	21000 (6150)			
	20 (-6.7)		24700 (7240)	23700 (6950)	22700 (6650)	21600 (6330)	20600 (6040)	19500 (5710)	18400 (5390)			
	15 (-9.4)		21800 (6390)	20900 (6130)	20000 (5860)	19000 (5570)	18000 (5280)	17100 (5010)	16000 (4690)			
10 (-12.2)		19200 (5630)	18400 (5390)	17500 (5130)	16600 (4860)	15700 (4600)	14800 (4340)	13800 (4040)				
BMHT035H7 Compressor Model AVA5542WX	45 (7.2)		49200 (14420)	47400 (13890)	45600 (13360)	43900 (12870)	42100 (12340)	40400 (11840)	38600 (11310)			
	40 (4.4)		44700 (13100)	43000 (12600)	41400 (12130)	39800 (11660)	38200 (11200)	36500 (10700)	34900 (10230)			
	35 (1.7)		40400 (11840)	38900 (11400)	37400 (10960)	35900 (10520)	34400 (10080)	33000 (9670)	31500 (9230)			
	30 (-1.1)		36400 (10670)	35000 (10260)	33700 (9880)	32300 (9470)	30900 (9060)	29600 (8670)	28200 (8260)			
	25 (-3.9)		32700 (9580)	31400 (9200)	30100 (8820)	28900 (8470)	27600 (8090)	26400 (7740)	25200 (7390)			
	20 (-6.7)		29200 (8560)	28000 (8210)	26800 (7850)	25700 (7530)	24500 (7180)	23400 (6860)	22300 (6540)			
	15 (-9.4)		25900 (7590)	24800 (7270)	23700 (6950)	22600 (6620)	21600 (6330)	20500 (6010)	19500 (5710)			
10 (-12.2)		22900 (6710)	21800 (6390)	20800 (6100)	19800 (5800)	18800 (5510)	17800 (5220)	16900 (4950)				
BMHT040H7 Compressor Model AGA5553WX	45 (7.2)		59700 (17500)	57500 (16850)	55300 (16210)	53100 (15560)	50900 (14920)	48800 (14300)	46700 (13690)			
	40 (4.4)		54200 (15880)	52100 (15270)	50000 (14650)	48000 (14070)	46000 (13480)	44000 (12900)	42000 (12310)			
	35 (1.7)		48900 (14330)	46900 (13740)	45000 (13190)	43100 (12630)	41200 (12070)	39400 (11550)	37500 (10990)			
	30 (-1.1)		43900 (12870)	42100 (12340)	40300 (11810)	38500 (11280)	36800 (10780)	35000 (10260)	33300 (9760)			
	25 (-3.9)		39200 (11490)	37500 (10990)	35800 (10490)	34200 (10020)	32500 (9520)	30900 (9060)	29400 (8620)			
	20 (-6.7)		34800 (10200)	33200 (9730)	31700 (9290)	30100 (8820)	28600 (8380)	27200 (7970)	25700 (7530)			
	15 (-9.4)		30800 (9030)	29300 (8590)	27900 (8180)	26500 (7770)	25000 (7330)	23700 (6950)	22300 (6540)			
10 (-12.2)		27100 (7940)	25800 (7560)	24400 (7150)	23100 (6770)	21800 (6390)	20500 (6010)	19300 (5660)				
BMHT045H7 Compressor Model AGA5561WX	45 (7.2)		64700 (18960)	62400 (18290)	60200 (17640)	58000 (17000)	55700 (16320)	53500 (15680)	-	-		
	40 (4.4)		58800 (17230)	56700 (16620)	54500 (15970)	52500 (15390)	50400 (14770)	48300 (14160)	46300 (13570)			
	35 (1.7)		53100 (15560)	51100 (14980)	49200 (14420)	47200 (13830)	45300 (13280)	43400 (12720)	41500 (12160)			
	30 (-1.1)		47800 (14010)	45900 (13450)	44100 (12920)	42300 (12400)	40500 (11870)	38700 (11340)	36900 (10810)			
	25 (-3.9)		42800 (12540)	41000 (12020)	39300 (11520)	37600 (11020)	35900 (10520)	34300 (10050)	32700 (9580)			
	20 (-6.7)		38100 (11170)	36500 (10700)	34900 (10230)	33300 (9760)	31800 (9320)	30200 (8850)	28700 (8410)			
	15 (-9.4)		33800 (9910)	32300 (9470)	30800 (9030)	29400 (8620)	27900 (8180)	26500 (7770)	25100 (7360)			
10 (-12.2)		30000 (8790)	28600 (8380)	27200 (7970)	25800 (7560)	24500 (7180)	23200 (6800)	21900 (6420)				
BMHT050H7 Compressor Model AGA5568WX	45 (7.2)		73800 (21630)	71300 (20900)	68900 (20190)	66500 (19490)	64100 (18790)	61800 (18110)	59400 (17410)			
	40 (4.4)		66900 (19610)	64600 (18930)	62300 (18260)	60100 (17610)	57900 (16970)	55700 (16320)	53500 (15680)			
	35 (1.7)		60300 (17670)	58200 (17060)	56100 (16440)	54000 (15830)	52000 (15240)	49900 (14620)	47900 (14040)			
	30 (-1.1)		54200 (15880)	52200 (15300)	50200 (14710)	48300 (14160)	46400 (13600)	44500 (13040)	42600 (12480)			
	25 (-3.9)		48400 (14180)	46600 (13660)	44800 (13130)	43000 (12600)	41200 (12070)	39400 (11550)	37700 (11050)			
	20 (-6.7)		43100 (12630)	41400 (12130)	39700 (11630)	38100 (11170)	36400 (10670)	34800 (10200)	33200 (9730)			
	15 (-9.4)		38400 (11250)	36800 (10780)	35200 (10320)	33600 (9850)	32100 (9410)	30600 (8970)	29100 (8530)			
10 (-12.2)		34100 (9990)	32600 (9550)	31100 (9110)	29700 (8700)	28200 (8260)	26800 (7850)	25400 (7440)				

--- Outside Operating Range † Max 40°F RGT

CONDENSING UNIT MODEL	SATURATED SUCTION TEMPERATURE		CAPACITY BTU/H (WATTS) R404A R507								AMBIENT TEMPERATURE °F (°C)	
	° F	° C	80 (26.6)	85 (29.4)	90 (32.2)	95 (35)	100 (37.8)	105 (40.6)	110 (43.3)			
BMHD015L6 Compressor Model NTZ048	-5 (-20.6)		10400 (3048)	9880 (2896)	9330 (2734)	8780 (2573)	8230 (2412)	7680 (2251)	7140 (2093)			
	-10 (-23.3)		9250 (2711)	8760 (2567)	8260 (2421)	7770 (2277)	7270 (2131)	6780 (1987)	6280 (1840)			
	-15 (-26.1)		8120 (2380)	7670 (2248)	7230 (2119)	6790 (1990)	6340 (1858)	5900 (1729)	5470 (1603)			
	-20 (-28.9)		7060 (2069)	6650 (1949)	6260 (1835)	5860 (1717)	5470 (1603)	5080 (1489)	4690 (1374)			
	-25 (-31.7)		6050 (1773)	5700 (1670)	5350 (1568)	5000 (1465)	4640 (1360)	4280 (1254)	3930 (1152)			
	-30 (-34.4)		5120 (1501)	4800 (1407)	4490 (1316)	4170 (1222)	3860 (1131)	3540 (1037)	3230 (947)			
	-35 (-37.2)		4250 (1246)	3980 (1166)	3690 (1081)	3410 (999)	3130 (917)	2850 (835)	2580 (756)			
	-40 (-40.0)		3460 (1014)	3200 (938)	2960 (867)	2700 (791)	2450 (718)	2200 (645)	1960 (574)			
BMHD025L6 Compressor Model NTZ068	-5 (-20.6)		14800 (4337)	14000 (4103)	13200 (3869)	12400 (3634)	11600 (3400)	10900 (3194)	10200 (2989)			
	-10 (-23.3)		13200 (3869)	12400 (3634)	11700 (3429)	11000 (3224)	10300 (3019)	9610 (2816)	8970 (2629)			
	-15 (-26.1)		11700 (3429)	11000 (3224)	10300 (3019)	9640 (2825)	9020 (2643)	8430 (2471)	7860 (2304)			
	-20 (-28.9)		10200 (2989)	9610 (2816)	9000 (2638)	8430 (2471)	7870 (2306)	7340 (2151)	6830 (2002)			
	-25 (-31.7)		8960 (2626)	8380 (2456)	7840 (2298)	7320 (2145)	6830 (2002)	6360 (1864)	5900 (1729)			
	-30 (-34.4)		7780 (2280)	7260 (2128)	6780 (1987)	6310 (1849)	5870 (1720)	5450 (1597)	5050 (1480)			
	-35 (-37.2)		6720 (1969)	6250 (1832)	5820 (1706)	5410 (1586)	5010 (1468)	4640 (1360)	4270 (1251)			
	-40 (-40.0)		5770 (1691)	5350 (1568)	4950 (1451)	4580 (1342)	4230 (1240)	3900 (1143)	3570 (1046)			
BMHD031L6 Compressor Model NTZ096	-5 (-20.6)		22800 (6682)	21700 (6360)	20500 (6008)	19400 (5686)	18200 (5334)	17000 (4982)	15800 (4631)			
	-10 (-23.3)		20100 (5891)	19100 (5598)	18000 (5275)	17000 (4982)	15900 (4660)	14800 (4337)	13700 (4015)			
	-15 (-26.1)		17600 (5158)	16700 (4894)	15700 (4601)	14700 (4308)	13700 (4015)	12700 (3722)	11700 (3429)			
	-20 (-28.9)		15300 (4484)	14400 (4220)	13500 (3956)	12600 (3693)	11700 (3429)	10700 (3136)	9810 (2875)			
	-25 (-31.7)		13100 (3839)	12300 (3605)	11500 (3370)	10600 (3107)	9760 (2860)	8920 (2614)	8060 (2362)			
	-30 (-34.4)		11100 (3253)	10400 (3048)	9580 (2808)	8810 (2582)	8020 (2350)	7230 (2119)	6450 (1890)			
	-35 (-37.2)		9280 (2720)	8580 (2515)	7860 (2304)	7140 (2093)	6410 (1879)	5680 (1665)	4950 (1451)			
	-40 (-40.0)		7620 (2233)	6960 (2040)	6290 (1843)	5610 (1644)	4930 (1445)	4250 (1246)	3570 (1046)			
BMHD040L6 Compressor Model NTZ136	-5 (-20.6)		30800 (9027)	29400 (8616)	27900 (8177)	26500 (7766)	25000 (7327)	23500 (6887)	22000 (6448)			
	-10 (-23.3)		27400 (8030)	26100 (7649)	24700 (7239)	23400 (6858)	22100 (6477)	20700 (6067)	19400 (5686)			
	-15 (-26.1)		24100 (7063)	22900 (6711)	21700 (6360)	20500 (6008)	19300 (5656)	18100 (5305)	16900 (4953)			
	-20 (-28.9)		21000 (6154)	20000 (5861)	18900 (5539)	17800 (5217)	16700 (4894)	15600 (4572)	14500 (4250)			
	-25 (-31.7)		18200 (5334)	17200 (5041)	16200 (4748)	15200 (4455)	14200 (4162)	13300 (3898)	12300 (3605)			
	-30 (-34.4)		15500 (4543)	14600 (4279)	13700 (4015)	12800 (3751)	11900 (3488)	11100 (3253)	10200 (2989)			
	-35 (-37.2)		13000 (3810)	12200 (3575)	11400 (3341)	10600 (3107)	9820 (2878)	9010 (2641)	8210 (2406)			
	-40 (-40.0)		10800 (3165)	10000 (2931)	9310 (2728)	8570 (2512)	7840 (2298)	7110 (2084)	6390 (1873)			

CONDENSING UNIT MODEL	COMPRESSOR MODEL NO.	POWER SUPPLY	COMPRESSOR		CONDENSER FAN MOTOR		UNIT		
			RLA	LRA	QTY	FLA	MCA	MOP	
BMHA015H7-*	S2A	CR18K6E-PFV	208-230/1/60	9.4	49.0	1	0.5	12.3	20
	T3A	CR18K6E-TF5	208-230/3/60	5.4	49.0	1	0.5	7.3	15
BMHA020H7-*	S2A	CR24K6E-PFV	208-230/1/60	11.2	61.0	1	1.1	15.1	25
	T3A	CR24K6E-TF5	208-230/3/60	6.9	55.0	1	1.1	9.7	15
BMHA025H7-*	S2A	CR32K6E-PFV	208-230/1/60	14.4	82.0	1	1.1	19.1	35
	T3A	CR32K6E-TF5	208-230/3/60	9.0	72.0	1	1.1	12.4	20
BMHA031H7-*	S2A	CR38K6E-PFV	208-230/1/60	17.1	105.0	1	1.1	22.5	35
	T3A	CR38K6E-TF5	208-230/3/60	10.7	85.0	1	1.1	14.5	25
BMHA035H7-*	S2A	CR42K6E-PFV	208-230/1/60	18.3	102.0	1	2.1	25.0	40
	T3A	CR42K6E-TF5	208-230/3/60	12.6	91.0	1	2.1	17.9	30
BMHA040H7-*	S2A	CR53KQE-PFV	208-230/1/60	26.0	140.0	1	2.1	34.6	60
	T3A	CR53KQE-TF5	208-230/3/60	16.3	107.0	1	2.1	22.5	35
BMHA050H7-*	S2A	CRNQ-050E-PFV	208-230/1/60	30.8	142.0	1	2.1	40.6	70
	T3A	CRNQ-050E-TF5	208-230/3/60	19.2	130.0	1	2.1	26.1	45
BMHA006E6-*	S1A	RST45C1E-CAA	115/1/60	9.4	54.5	1	1.1	12.9	20
	S2A	RST45C1E-CAV	208-230/1/60	4.6	26.5	1	0.5	6.3	15
BMHA008E6-*	S1A	RST55C1E-CAA	115/1/60	13.5	70.0	1	1.1	18.0	30
	S2A	RST55C2E-CAV	208-230/1/60	6.1	33.7	1	0.5	8.1	15
BMHA009E6-*	S1A	RST64C1E-CFA	115/1/60	13.1	77.0	1	1.1	17.5	30
	S2A	RST64C1E-CAV	208-230/1/60	8.0	43.0	1	0.5	10.5	15
BMHA010E6-*	S2A	RST70C1E-PFV	208-230/1/60	6.9	46.0	1	0.5	9.1	15
	T3A	RST70C1E-TFC	208-230/3/60	4.9	36.0	1	0.5	6.6	15
BMHA016E6-*	S2A	CS10K6E-PFV	208-230/1/60	9.8	56.0	1	0.5	12.8	20
	T3A	CS10K6E-TF5	208-230/3/60	6.7	51.0	1	0.5	8.9	15
BMHA021E6-*	S2A	CS12K6E-PFV	208-230/1/60	9.8	56.0	1	1.1	13.4	20
	T3A	CS12K6E-TF5	208-230/3/60	6.7	51.0	1	1.1	9.5	15
BMHA025E6-*	S2A	CS14K6E-PFV	208-230/1/60	11.2	61.0	1	1.1	15.1	25
	T3A	CS14K6E-TF5	208-230/3/60	8.2	55.0	1	1.1	11.4	15
BMHA031E6-*	S2A	CS18K6E-PFV	208-230/1/60	14.4	82.0	1	1.1	19.0	30
	T3A	CS18K6E-TF5	208-230/3/60	7.9	65.5	1	1.1	11.0	15
BMHA035E6-*	S2A	CS20K6E-PFV	208-230/1/60	16.7	96.0	1	1.1	21.9	35
	T3A	CS20K6E-TF5	208-230/3/60	10.2	75.0	1	1.1	13.9	20
BMHA040E6-*	S2A	CS27K6E-PFV	208-230/1/60	21.5	95.4	1	2.1	28.9	50
	T3A	CS27K6E-TF5	208-230/3/60	14.0	82.0	1	2.1	19.6	30
BMHA050E6-*	S2A	CS33K6E-PFV	208-230/1/60	27.6	125.0	1	2.1	36.6	60
	T3A	CS33K6E-TF5	208-230/3/60	16.8	102.0	1	2.1	23.1	35
BMHA006L6-*	S1A	RFT22C1E-CAA	115/1/60	7.1	54.5	1	1.1	10.0	15
	S2A	RFT22C1E-CAV	208-230/1/60	4.7	29.0	1	0.5	6.4	15
BMHA008L6-*	S1A	RFT26C1E-CAA	115/1/60	9.7	66.0	1	1.1	13.2	20
	S2A	RFT26C1E-CAV	208-230/1/60	5.8	35.5	1	0.5	7.8	15
BMHA010L6-*	S2A	CF04K6E-PFV	208-230/1/60	9.9	59.2	1	0.5	12.9	20
	T3A	CF04K6E-TF5	208-230/3/60	6.1	52.0	1	0.5	8.1	15
BMHA020L6-*	S2A	CF06K6E-PFV	208-230/1/60	10.3	59.2	1	0.5	13.3	20
	T3A	CF06K6E-TF5	208-230/3/60	6.3	52.0	1	0.5	8.4	15
BMHA025L6-*	S2A	CF09K6E-PFV	208-230/1/60	15.0	87.0	1	1.1	19.9	30
	T3A	CF09K6E-TF5	208-230/3/60	9.2	72.2	1	1.1	12.6	20
BMHA031L6-*	S2A	CF12K6E-PFV	208-230/1/60	18.4	105.0	1	1.1	24.1	40
	T3A	CF12K6E-TF5	208-230/3/60	11.0	85.0	1	1.1	14.9	25

* I = Indoor, H = Outdoor. Above listed RLA value is based on UL rating method and may differ from published compressor RLA data.

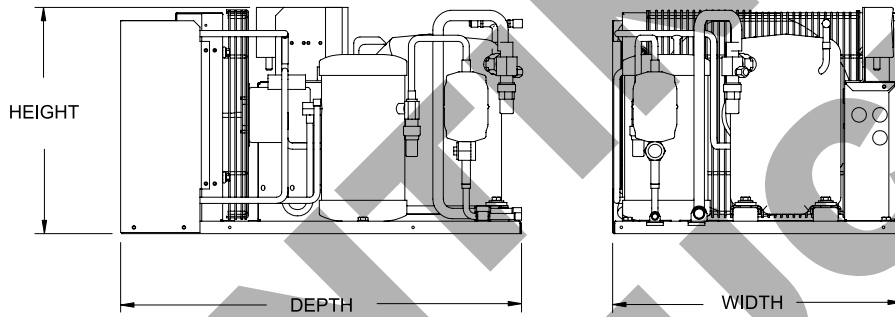
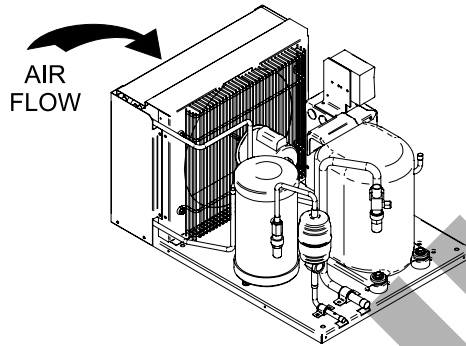
CONDENSING UNIT MODEL	COMPRESSOR MODEL NO.	POWER SUPPLY	COMPRESSOR		CONDENSER FAN MOTOR		UNIT		
			RLA	LRA	QTY	FLA	MCA	MOP	
BMHT015H7-*	S2A	AWG5520WXN	208-230/1/60	9.5	52	1	0.5	12.4	20
	T3A	AWG5520WXT	208-230/3/60	6.1	51	1	0.5	8.1	15
BMHT020H7-*	S2A	AWG5524WXN	208-230/1/60	11.7	60	1	1.1	15.8	25
	T3A	AWG5524WXT	208-230/3/60	7.8	50	1	1.1	10.8	15
BMHT025H7-*	S2A	AWG5530WXN	208-230/1/60	13.9	70.0	1	1.1	18.5	30
	T3A	AWG5530WXT	208-230/3/60	10.4	63.4	1	1.1	14.1	20
BMHT030H7-*	S2A	AVA5538WXN	208-230/1/60	19.7	95	1	1.1	25.8	45
	T3A	AVA5538WXT	208-230/3/60	13.5	73.4	1	1.1	17.9	30
BMHT035H7-*	S2A	AVA5542WXA	208-230/1/60	22.1	108.0	1	2.1	29.7	50
	T3A	AVA5542WXT	208-230/3/60	13.7	74	1	2.1	19.2	30
BMHT040H7-*	S2A	AGA5553WXN	208-230/1/60	28.5	132	1	2.1	37.8	60
	T3A	AGA5553WXT	208-230/3/60	16.5	103	1	2.1	22.7	35
BMHT045H7-*	S2A	AGA5561WXN	208-230/1/60	30.5	165	1	2.1	40.2	70
	T3A	AGA5561WXT	208-230/3/60	18.8	126	1	2.1	25.6	40
BMHT050H7-*	S2A	AGA5568WXN	208-230/1/60	34.6	179	1	2.1	45.4	80
	T3A	AGA5568WXT	208-230/3/60	21.5	135	1	2.1	29.0	50
BMHT006M6-*	S2A	AKA9451ZXD	208-230/1/60	5.9	31	1	0.5	7.9	15
BMHT008M6-*	S2A	AKA9455ZXD	208-230/1/60	5.8	31	1	0.5	7.8	15
BMHT010M6-*	S2A	AKA9462ZXD	208-230/1/60	6.3	34	1	0.5	8.4	15
BMHT015M6-*	S2A	AWA9490ZNX	208-230/1/60	10.6	52	1	1.1	14.4	25
	T3A	AWA9490ZXT	208-230/3/60	6.7	51	1	1.1	9.5	15
BMHT020M6-*	S2A	AWA7512ZXD	208-230/1/60	12.8	73	1	1.1	17.1	25
	T3A	AWA7512ZXT	208-230/3/60	8.3	63.4	1	1.1	11.5	15
BMHT025M6-*	S2A	AWA7515ZXD	208-230/1/60	16.0	96.8	1	1.1	21.1	35
	T3A	AWA7515ZXT	208-230/3/60	8.3	63.4	1	1.1	11.5	15
BMHT030M6-*	S2A	AVA9519ZNX	208-230/1/60	20.3	95	1	1.1	26.5	40
	T3A	AVA9519ZXT	208-230/3/60	13.8	73.4	1	1.1	18.3	30
BMHT036M6-*	S2A	AVA7524ZNX	208-230/1/60	21.3	106.6	1	2.1	28.8	50
	T3A	AVA7524ZXT	208-230/3/60	11.3	65.1	1	2.1	16.3	25
BMHT040M6-*	S2A	AVA9528ZNX	208-230/1/60	30.3	132	1	2.1	40.0	70
	T3A	AVA9528ZXT	208-230/3/60	19.3	110	1	2.1	26.2	45
BMHT050M6-*	S2A	AGA9530ZNX	208-230/1/60	34.5	165	1	2.1	45.2	70
	T3A	AGA9530ZXT	208-230/3/60	18.7	126	1	2.1	25.5	40
BMHT008L6-*	S2A	AJA2425ZXD	208-230/1/60	4.5	38.7	1	0.5	6.1	15
BMHT010L6-*	S2A	AWA2440ZXD	208-230/1/60	8.7	73	1	0.5	11.3	20
	T3A	AWA2440ZXT	208-230/3/60	4.9	40.5	1	0.5	6.7	15
BMHT011L6-*	S2A	AWA2450ZXD	208-230/1/60	9.4	56.0	1	0.5	12.3	20
	T3A	AWA2450ZXT	208-230/3/60	5.8	40.5	1	0.5	7.8	15
BMHT020L6-*	S2A	AWA2460ZXD	208-230/1/60	12.6	86	1	0.5	16.2	25
	T3A	AWA2460ZXT	208-230/3/60	8.3	63.4	1	0.5	10.9	15
BMHT025L6-*	S2A	AVA2490ZNX	208-230/1/60	16.2	106.6	1	1.1	21.4	35
	T3A	AVA2490ZXT	208-230/3/60	9.9	65.1	1	1.1	13.4	20
BMHT030L6-*	S2A	AVA2512ZNX	208-230/1/60	20.8	120.3	1	1.1	27.1	40
	T3A	AVA2512ZXT	208-230/3/60	11.0	65.1	1	1.1	14.8	25

* I = Indoor, H = Outdoor. Above listed RLA value is based on UL rating method and may differ from published compressor RLA data.

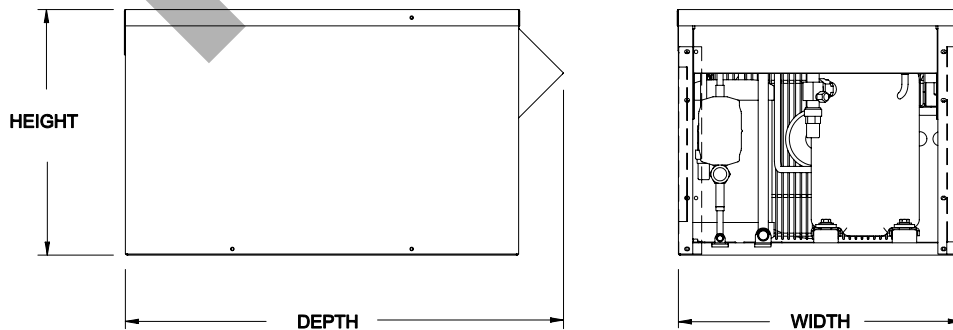
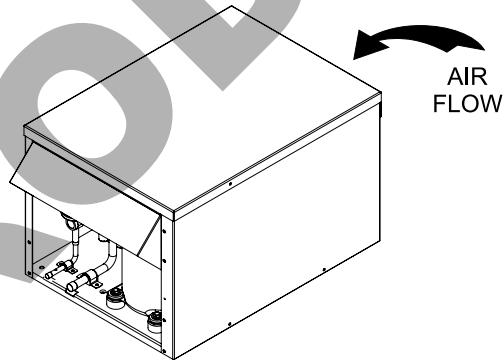
CONDENSING UNIT MODEL	COMPRESSOR MODEL NO.	POWER SUPPLY	COMPRESSOR		CONDENSER FAN MOTOR		UNIT		
			RLA	LRA	QTY	FLA	MCA	MOP	
BMHD016M6-*	S2A	MTZ18-1VM	208-230/1/60	8.3	51.0	1	0.5	10.9	15
	T3A	MTZ18-3VM	208-230/3/60	5.8	38.0	1	0.5	7.7	15
BMHD021M6-*	S2A	MTZ22-1VM	208-230/1/60	10.9	49.3	1	1.1	14.7	25
	T3A	MTZ22-3VM	208-230/3/60	7.1	38.0	1	1.1	9.9	15
BMHD025M6-*	S2A	MTZ28-1VM	208-230/1/60	16.0	81.0	1	1.1	21.1	35
	T3A	MTZ28-3VM	208-230/3/60	10.3	57.0	1	1.1	13.9	20
BMHD031M6-*	S2A	MTZ36-1VM	208-230/1/60	19.2	84.0	1	1.1	25.1	40
	T3A	MTZ36-3VM	208-230/3/60	10.9	74.0	1	1.1	14.7	25
BMHD036M6-*	S2A	MTZ44-1VM	208-230/1/60	19.9	97.0	1	2.1	27.0	45
	T3A	MTZ44-3VM	208-230/3/60	14.1	115.0	1	2.1	19.7	30
BMHD040M6-*	S2A	MTZ50-1VM	208-230/1/60	23.1	114.0	1	2.1	30.9	50
	T3A	MTZ50-3VM	208-230/3/60	16.0	115.0	1	2.1	22.1	35
BMHD050M6-*	S2A	MTZ56-1VM	208-230/1/60	27.2	136.0	1	2.1	36.2	60
	T3A	MTZ56-3VM	208-230/3/60	16.7	130.0	1	2.1	22.9	35
BMHD015L6-*	S2A	NTZ048-1	208-230/1/60	8.5	43.7	1	0.5	11.1	20
	T3A	NTZ048-3	208-230/3/60	6.5	32.0	1	0.5	8.6	15
BMHD025L6-*	S2A	NTZ068-1	208-230/1/60	13.5	72.0	1	1.1	18.0	30
	T3A	NTZ068-3	208-230/3/60	9.5	48.5	1	1.1	13.0	20
BMHD031L6-*	S2A	NTZ096-1	208-230/1/60	19.9	97.0	1	1.1	26	45
	T3A	NTZ096-3	208-230/3/60	13.1	72.0	1	1.1	17.5	30
BMHD040L6-*	S2A	NTZ136-1	208-230/1/60	26.3	140.0	1	2.1	35.0	60
	T3A	NTZ136-3	208-230/3/60	18.6	97.2	1	2.1	25.4	40

* I = Indoor, H = Outdoor. Above listed RLA value is based on UL rating method and may differ from published compressor RLA data.

INDOOR DIMENSIONS



OUTDOOR DIMENSIONS



CONDENSING UNIT MODEL	OUTDOOR MODELS						INDOOR MODELS					
	LENGTH		DEPTH		HEIGHT		LENGTH		DEPTH		HEIGHT	
	Inches	mm	Inches	mm	Inches	mm	Inches	mm	Inches	mm	Inches	mm
BMHA015H7	19 7/8	503	27	686	15	383	19 5/8	498	24 1/4	614	15 7/8	403
BMHA020H7	33	838	29 1/4	743	19 5/8	498	32 7/8	835	24 1/4	614	19 3/8	492
BMHA025H7	33	838	29 1/4	743	19 5/8	498	32 7/8	835	24 1/4	614	19 3/8	492
BMHA031H7	33	838	29 1/4	743	19 5/8	498	32 7/8	835	24 1/4	614	19 3/8	492
BMHA035H7	42 3/8	1075	36 1/4	919	29 1/2	749	43 1/8	1095	28 1/4	716	29	737
BMHA040H7	42 3/8	1075	36 1/4	919	29 1/2	749	43 1/8	1095	28 1/4	716	29	737
BMHA050H7	42 3/8	1075	36 1/4	919	29 1/2	749	43 1/8	1095	28 1/4	716	29	737
BMHA006E6	17 7/8	452	27	686	16	408	17 5/8	448	24 1/4	614	13 1/3	338
BMHA008E6	17 7/8	452	27	686	16	408	17 5/8	448	24 1/4	614	13 1/3	338
BMHA009E6	17 7/8	452	27	686	16	408	17 5/8	448	24 1/4	614	13 1/3	338
BMHA010E6	17 7/8	452	27	686	16	408	17 5/8	448	24 1/4	614	13 1/3	338
BMHA016E6	19 7/8	503	27	686	16	408	19 5/8	498	24 1/4	614	15 7/8	403
BMHA021E6	33	838	29 1/4	743	19 5/8	498	32 7/8	835	24 1/4	614	19 3/8	492
BMHA025E6	33	838	29 1/4	743	19 5/8	498	32 7/8	835	24 1/4	614	19 3/8	492
BMHA031E6	33	838	29 1/4	743	19 5/8	498	32 7/8	835	24 1/4	614	19 3/8	492
BMHA035E6	33	838	29 1/4	743	19 5/8	498	32 7/8	835	24 1/4	614	19 3/8	492
BMHA040E6	42 3/8	1075	36 1/4	919	29 1/2	749	43 1/8	1095	28 1/4	716	29	737
BMHA050E6	42 3/8	1075	36 1/4	919	29 1/2	749	43 1/8	1095	28 1/4	716	29	737
BMHA006L6	17 7/8	452	27	686	16	408	17 5/8	448	24 1/4	614	13 1/3	338
BMHA008L6	17 7/8	452	27	686	16	408	17 5/8	448	24 1/4	614	13 1/3	338
BMHA010L6	17 7/8	452	27	686	16	408	17 5/8	448	24 1/4	614	14 1/2	368
BMHA020L6	19 7/8	503	27	686	16	408	19 5/8	498	24 1/4	614	15 7/8	403
BMHA025L6	33	838	29 1/4	743	19 5/8	498	32 7/8	835	24 1/4	614	19 3/8	492
BMHA031L6	33	838	29 1/4	743	19 5/8	498	32 7/8	835	24 1/4	614	19 3/8	492

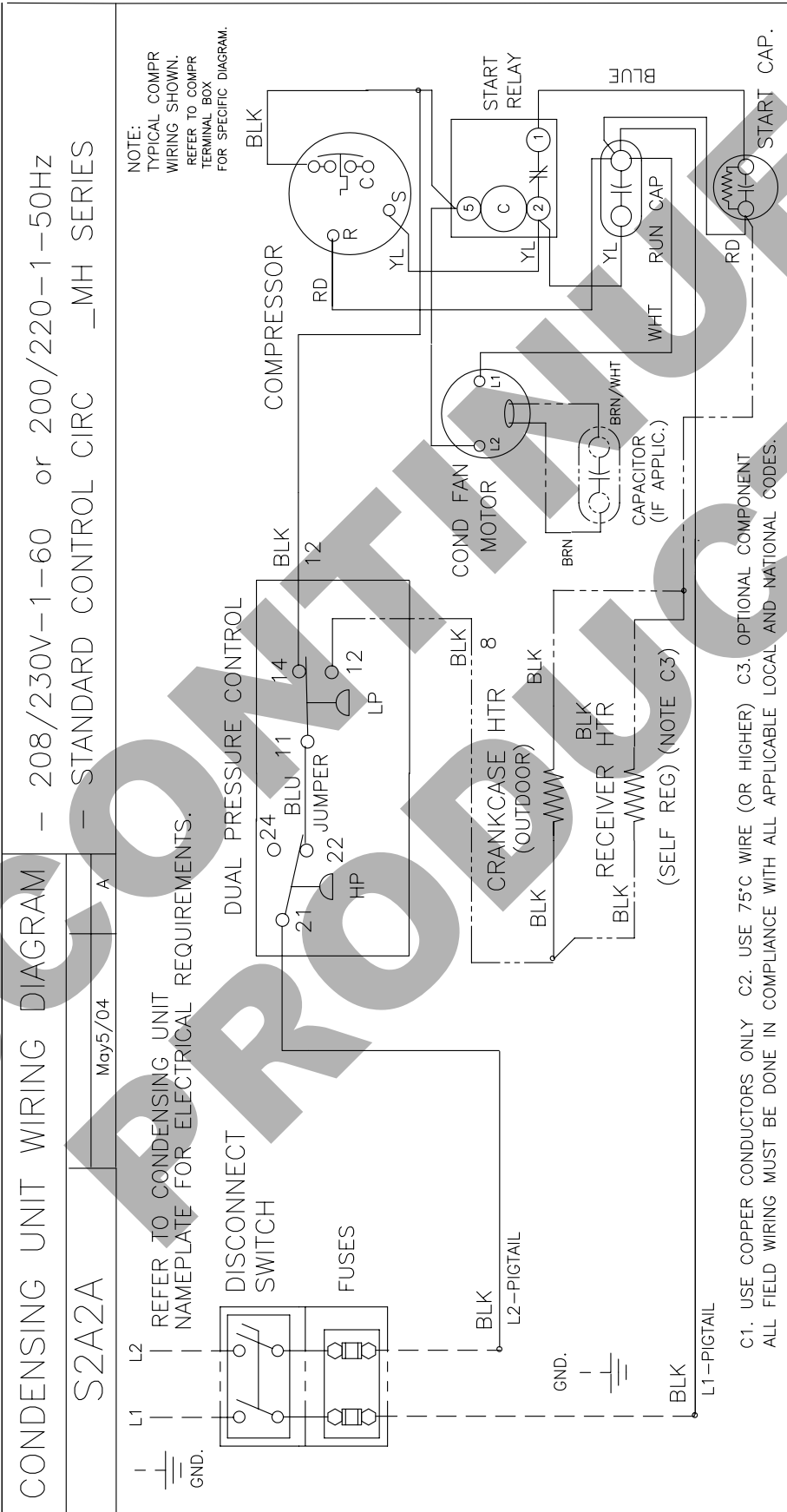
CONDENSING UNIT MODEL	OUTDOOR MODELS						INDOOR MODELS					
	LENGTH		DEPTH		HEIGHT		LENGTH		DEPTH		HEIGHT	
	Inches	mm	Inches	mm	Inches	mm	Inches	mm	Inches	mm	Inches	mm
BMHT015H7	19 7/8	503	27	686	15	383	19 5/8	498	24 1/4	614	15 7/8	403
BMHT020H7	33	838	29 1/4	743	19 5/8	498	32 7/8	835	24 1/4	614	19 3/8	492
BMHT025H7	33	838	29 1/4	743	19 5/8	498	32 7/8	835	24 1/4	614	19 3/8	492
BMHT031H7	33	838	29 1/4	743	19 5/8	498	32 7/8	835	24 1/4	614	19 3/8	492
BMHT035H7	42 3/8	1075	36 1/4	919	29 1/2	749	43 1/8	1095	28 1/4	716	29	737
BMHT040H7	42 3/8	1075	36 1/4	919	29 1/2	749	43 1/8	1095	28 1/4	716	29	737
BMHT045H7	42 3/8	1075	36 1/4	919	29 1/2	749	43 1/8	1095	28 1/4	716	29	737
BMHT050H7	42 3/8	1075	36 1/4	919	29 1/2	749	43 1/8	1095	28 1/4	716	29	737
BMHT006M6	17 7/8	452	27	686	16	408	17 5/8	448	24 1/4	614	13 1/3	338
BMHT008M6	17 7/8	452	27	686	16	408	17 5/8	448	24 1/4	614	13 1/3	338
BMHT010M6	17 7/8	452	27	686	16	408	17 5/8	448	24 1/4	614	13 1/3	338
BMHT015M6	19 7/8	503	27	686	16	408	19 5/8	498	24 1/4	614	15 7/8	403
BMHT020M6	33	838	29 1/4	743	19 5/8	498	32 7/8	835	24 1/4	614	19 3/8	492
BMHT025M6	33	838	29 1/4	743	19 5/8	498	32 7/8	835	24 1/4	614	19 3/8	492
BMHT030M6	33	838	29 1/4	743	19 5/8	498	32 7/8	835	24 1/4	614	19 3/8	492
BMHT036M6	33	838	29 1/4	743	19 5/8	498	32 7/8	835	24 1/4	614	19 3/8	492
BMHT040M6	42 3/8	1075	36 1/4	919	29 1/2	749	43 1/8	1095	28 1/4	716	29	737
BMHT050M6	42 3/8	1075	36 1/4	919	29 1/2	749	43 1/8	1095	28 1/4	716	29	737
BMHT008L6	17 7/8	452	27	686	16	408	17 5/8	448	24 1/4	614	13 1/3	338
BMHT010L6	17 7/8	452	27	686	16	408	17 5/8	448	24 1/4	614	14 1/2	368
BMHT011L6	17 7/8	452	27	686	16	408	17 5/8	448	24 1/4	614	14 1/2	368
BMHT020L6	19 7/8	503	27	686	16	408	19 5/8	498	24 1/4	614	15 7/8	403
BMHT025L6	33	838	29 1/4	743	19 5/8	498	32 7/8	835	24 1/4	614	19 3/8	492
BMHT030L6	33	838	29 1/4	743	19 5/8	498	32 7/8	835	24 1/4	614	19 3/8	492

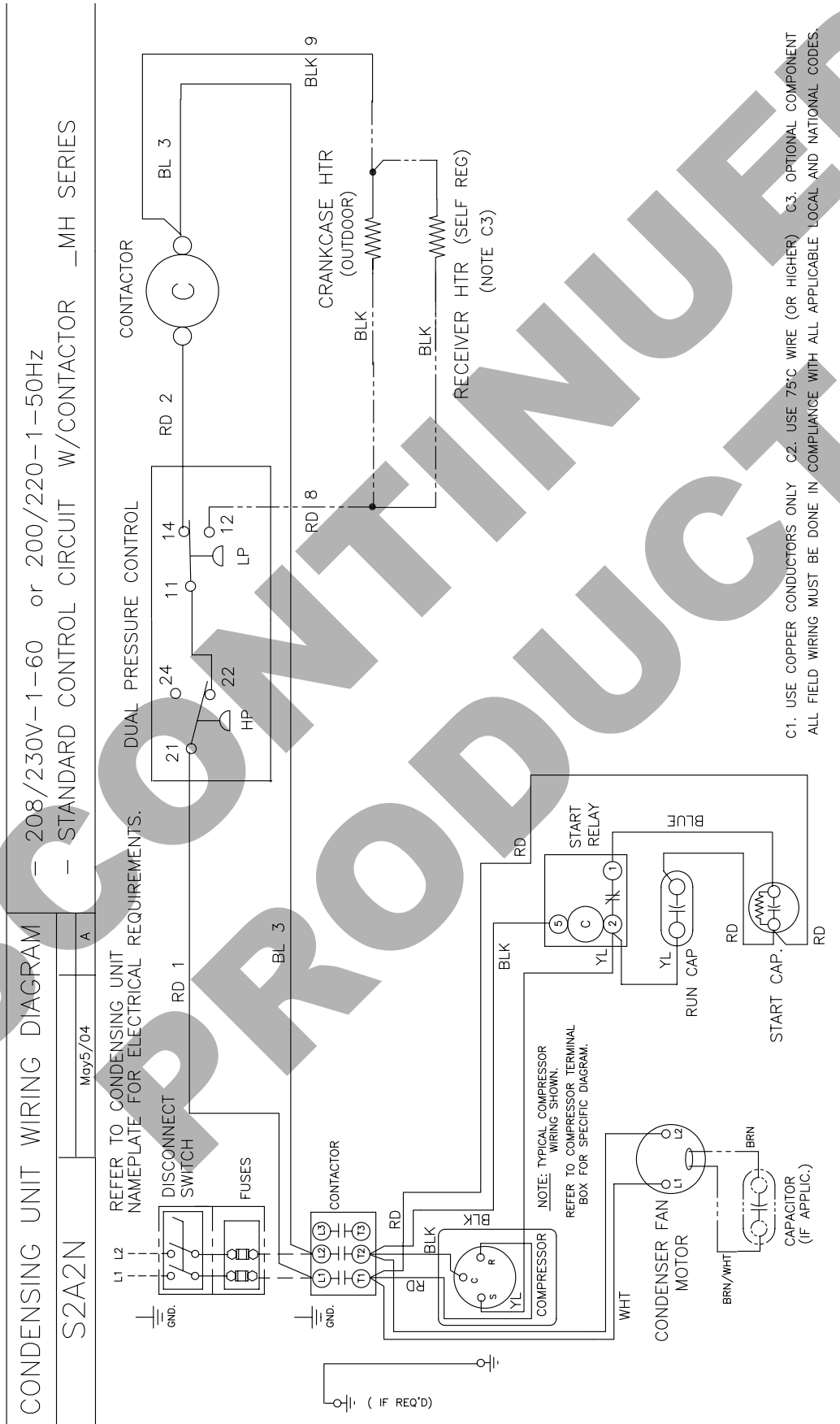
CONDENSING UNIT MODEL	OUTDOOR MODELS						INDOOR MODELS					
	LENGTH		DEPTH		HEIGHT		LENGTH		DEPTH		HEIGHT	
	Inches	mm	Inches	mm	Inches	mm	Inches	mm	Inches	mm	Inches	mm
BMHD016M6	19 7/8	503	27	686	16	408	19 5/8	498	24 1/4	614	15 7/8	403
BMHD021M6	33	838	29 1/4	743	19 5/8	498	32 7/8	835	24 1/4	614	19 3/8	492
BMHD025M6	33	838	29 1/4	743	19 5/8	498	32 7/8	835	24 1/4	614	19 3/8	492
BMHD031M6	33	838	29 1/4	743	19 5/8	498	32 7/8	835	24 1/4	614	19 3/8	492
BMHD036M6	42 3/8	1075	36 1/4	919	29 1/2	749	43 1/8	1095	28 1/4	716	29	737
BMHD040M6	42 3/8	1075	36 1/4	919	29 1/2	749	43 1/8	1095	28 1/4	716	29	737
BMHD050M6	42 3/8	1075	36 1/4	919	29 1/2	749	43 1/8	1095	28 1/4	716	29	737
BMHD015L6	19 7/8	503	27	686	16	408	19 5/8	498	24 1/4	614	15 7/8	403
BMHD025L6	33	838	29 1/4	743	19 5/8	498	32 7/8	835	24 1/4	614	19 3/8	492
BMHD031L6	42 3/8	1075	36 1/4	919	29 1/2	749	43 1/8	1095	28 1/4	716	29	737
BMHD040L6	42 3/8	1075	36 1/4	919	29 1/2	749	43 1/8	1095	28 1/4	716	29	737

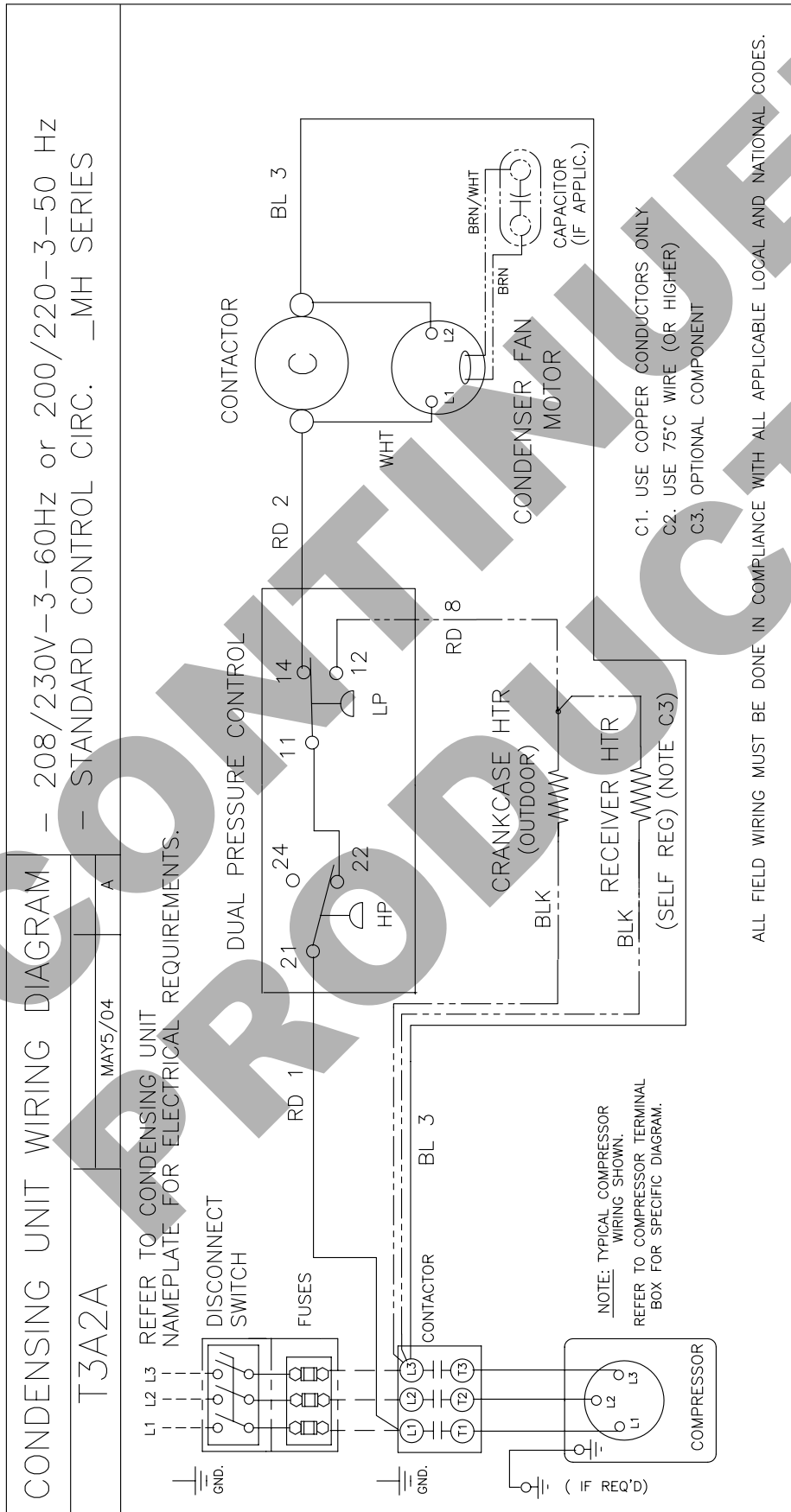
CONDENSING UNIT MODEL	UNIT CONNECTIONS				RECEIVER CAPACITY 90% FULL		APPROX. SHIPPING WEIGHT			
	SUCTION (OD)		LIQUID (OD)		Lbs.	Kgs	OUTDOOR		INDOOR	
	Inches	mm	Inches	mm			Lbs.	Kgs	Lbs.	Kgs
BMHA015H7	5/8	16	3/8	10	6	2.7	137	62	122	55
BMHA020H7	5/8	16	3/8	10	12.5	5.7	199	90	179	81
BMHA025H7	7/8	22	3/8	10	16	7.3	210	95	190	86
BMHA031H7	7/8	22	1/2	13	16	7.3	210	95	190	86
BMHA035H7	7/8	22	1/2	13	24	10.9	285	129	260	118
BMHA040H7	1 1/8	29	1/2	13	24	10.9	285	129	260	118
BMHA050H7	1 1/8	29	1/2	13	24	10.9	319	145	294	133
BMHA006E6	5/8	16	3/8	10	2.7	1.2	95	43	83	38
BMHA008E6	5/8	16	3/8	10	2.7	1.2	95	43	83	38
BMHA009E6	5/8	16	3/8	10	5.4	2.4	95	43	83	38
BMHA010E6	5/8	16	3/8	10	5.4	2.4	95	43	83	38
BMHA016E6	5/8	16	3/8	10	5.4	2.4	146	66	131	59
BMHA021E6	7/8	22	3/8	10	11.3	5.1	208	94	188	85
BMHA025E6	7/8	22	1/2	13	14.4	6.5	212	96	192	87
BMHA031E6	7/8	22	1/2	13	14.4	6.5	215	98	195	88
BMHA035E6	7/8	22	1/2	13	14.4	6.5	216	98	201	91
BMHA040E6	1 1/8	29	1/2	13	21.5	9.8	282	128	257	117
BMHA050E6	1 1/8	29	1/2	13	21.5	9.8	287	130	262	119
BMHA006L6	1/2	13	3/8	10	2.7	1.2	86	39	74	34
BMHA008L6	1/2	13	3/8	10	2.7	1.2	88	40	76	34
BMHA010L6	5/8	16	3/8	10	5.4	2.4	120	54	108	49
BMHA020L6	7/8	22	3/8	10	5.4	2.4	123	56	108	49
BMHA025L6	7/8	22	3/8	10	11.3	5.1	224	102	204	93
BMHA031L6	7/8	22	1/2	13	14.4	6.5	285	129	260	118

CONDENSING UNIT MODEL	UNIT CONNECTIONS				RECEIVER CAPACITY 90% FULL		APPROX. SHIPPING WEIGHT			
	SUCTION (OD)		LIQUID (OD)		Lbs.	Kgs	OUTDOOR		INDOOR	
	Inches	mm	Inches	mm			Lbs.	Kgs	Lbs.	Kgs
BMHT015H7	5/8	16	3/8	10	6	2.7	145	66	135	61
BMHT020H7	5/8	16	3/8	10	12.5	5.7	205	93	185	84
BMHT025H7	7/8	22	3/8	10	16	7.3	215	98	195	88
BMHT031H7	7/8	22	1/2	13	16	7.3	215	98	195	88
BMHT035H7	7/8	22	1/2	13	24	10.9	295	134	270	122
BMHT040H7	1 1/8	29	1/2	13	24	10.9	295	134	270	122
BMHT045H7	1 1/8	29	1/2	13	24	10.9	310	141	285	129
BMHT050H7	1 1/8	29	1/2	13	24	10.9	330	150	305	138
BMHT006M6	5/8	16	3/8	10	2.7	1.2	95	43	85	39
BMHT008M6	5/8	16	3/8	10	2.7	1.2	95	43	85	39
BMHT010M6	5/8	16	3/8	10	5.4	2.4	100	45	90	41
BMHT015M6	5/8	16	3/8	10	5.4	2.4	150	68	140	64
BMHT020M6	7/8	22	3/8	10	11.3	5.1	210	95	185	84
BMHT025M6	7/8	22	1/2	13	14.4	6.5	215	98	190	86
BMHT030M6	7/8	22	1/2	13	14.4	6.5	220	100	195	88
BMHT036M6	7/8	22	1/2	13	14.4	6.5	280	127	255	116
BMHT040M6	1 1/8	29	1/2	13	21.5	9.8	285	129	260	118
BMHT050M6	1 1/8	29	1/2	13	21.5	9.8	295	134	270	122
BMHT008L6	1/2	13	3/8	10	2.7	1.2	90	41	80	36
BMHT010L6	5/8	16	3/8	10	5.4	2.4	125	57	115	52
BMHT011L6	5/8	16	3/8	10	5.4	2.4	125	57	115	52
BMHT020L6	7/8	22	3/8	10	5.4	2.4	125	57	115	52
BMHT025L6	7/8	22	3/8	10	11.3	5.1	230	104	205	93
BMHT030L6	7/8	22	1/2	13	14.4	6.5	290	132	265	120

CONDENSING UNIT MODEL	UNIT CONNECTIONS				RECEIVER CAPACITY 90% FULL		APPROX. SHIPPING WEIGHT			
	SUCTION (OD)		LIQUID (OD)		Lbs.	Kgs	OUTDOOR		INDOOR	
	Inches	mm	Inches	mm			Lbs.	Kgs	Lbs.	Kgs
BMHD016M6	5/8	16	3/8	10	5.4	2.4	146	66	131	59
BMHD021M6	7/8	22	3/8	10	11.3	5.1	208	94	188	85
BMHD025M6	7/8	22	1/2	13	14.4	6.5	212	96	192	87
BMHD031M6	7/8	22	1/2	13	14.4	6.5	215	98	195	88
BMHD036M6	7/8	22	1/2	13	21.5	9.8	261	118	241	109
BMHD040M6	1 1/8	29	1/2	13	21.5	9.8	282	128	257	117
BMHD050M6	1 1/8	29	1/2	13	21.5	9.8	287	130	262	119
BMHD015L6	7/8	22	3/8	10	5.4	2.4	119	54	104	47
BMHD025L6	7/8	22	3/8	10	11.3	5.1	224	102	204	93
BMHD031L6	7/8	22	1/2	13	21.5	9.8	285	129	260	118
BMHD040L6	1 1/8	29	1/2	13	21.5	9.8	285	129	260	118







FOR SERVICE PARTS LOOK-UP:

http://www.ballyrefboxes.com/Bally_Parts/Bally_parts.asp

email: parts@b-rp.ca

call: 1-844-893-3222 x501

**DISCONTINUED
PRODUCT**

NOTES

**DISCONTINUED
PRODUCT**

FINISHED GOODS WARRANTY

The terms and conditions as described below in the General Warranty Policy cover all products manufactured by National Refrigeration.

GENERAL WARRANTY POLICY

Subject to the terms and conditions hereof, the Company warrants all Products, including Service Parts, manufactured by the Company to be free of defects in material or workmanship, under normal use and application for a period of one (1) year from the original date of installation, or eighteen (18) months from the date of shipment from the Company, whichever occurs first. Any replacement part(s) so supplied will be warranted for the balance of the product's original warranty. The part(s) to be replaced must be made available in exchange for the replacement part(s) and reasonable proof of the original installation date of the product must be presented in order to establish the effective date of the warranty, failing which, the effective date will be based upon the date of manufacture plus thirty (30) days. Any labour, material, refrigerant, transportation, freight or other charges incurred in connection with the performance of this warranty will be the responsibility of the owner at the current rates and prices then in effect. This warranty may be transferred to a subsequent owner of the product.

THIS WARRANTY DOES NOT COVER

(a) Damages caused by accident, abuse, negligence, misuse, riot, fire, flood, or Acts of God (b) damages caused by operating the product in a corrosive atmosphere (c) damages caused by any unauthorized alteration or repair of the system affecting the product's reliability or performance (d) damages caused by improper matching or application of the product or the product's components (e) damages caused by failing to provide routine and proper maintenance or service to the product (f) expenses incurred for the erecting, disconnecting, or dismantling the product (g) parts used in connection with normal maintenance, such as filters or belts (h) products no longer at the site of the original installation (i) products installed or operated other than in accordance with the printed instructions, with the local installation or building codes and with good trade practices (j) products lost or stolen.

No one is authorized to change this WARRANTY or to create for or on behalf of the Company any other obligation or liability in connection with the Product(s). There is no other representation, warranty or condition in any respect, expressed or implied, made by or binding upon the Company other than the above or as provided by provincial or state law and which cannot be limited or excluded by such law, nor will we be liable in any way for incidental, consequential, or special damages however caused.

The provisions of this additional written warranty are in addition to and not a modification of or subtraction from the statutory warranties and other rights and remedies provided by Federal, Provincial or State laws.

PROJECT INFORMATION

System	
Model Number	Date of Start-Up
Serial Number	Service Contractor
Refrigerant	Phone
Electrical Supply	Fax

“AS BUILT” SERVICE PARTS LIST

Service Parts List
Label
To Be Attached
HERE

System	
Model Number	Date of Start-Up
Serial Number	Service Contractor
Refrigerant	Phone
Electrical Supply	Fax



General Sales, Parts & Service, Manufacturing & Engineering
135 Little Nine Drive, Morehead City, NC 28557
252-240-2829 • 1-800-24-BALLY • FAX: 252-240-0384
e-mail: ballysales@ballyrefboxes.com • www.ballyrefboxes.com



DISTRIBUTED BY:

*Due to Manufacturer's policy of continuous product improvement,
the Manufacturer reserves the right to make changes without notice.*