



# BW-Line Condensing Units

## PRODUCT DATA & SPECIFICATIONS



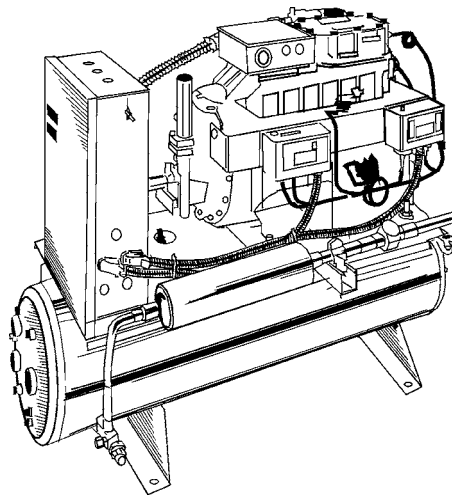
Bulletin B40-BW-PDS-16  
1064619

**60**  
Hz

Indoor  
Water Cooled  
Condensing Units

**1/2 to 40 HP -  
High, Medium and Low  
Temperature Refrigeration**

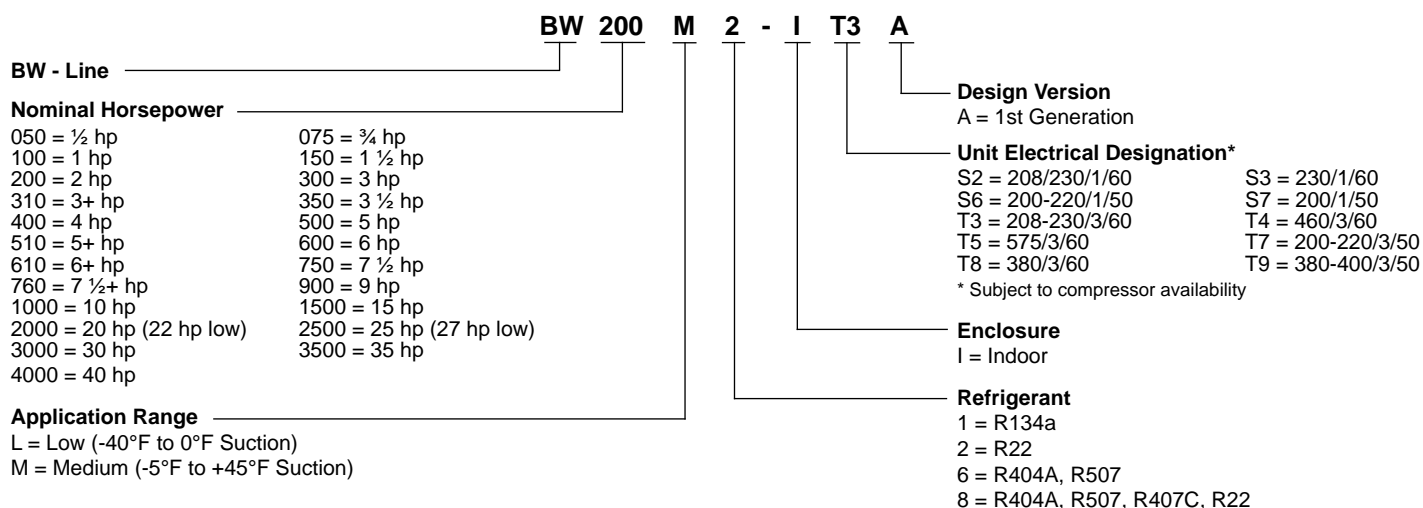
? Questions about this product? ?  
Email: [rcu-wccu@b-rp.ca](mailto:rcu-wccu@b-rp.ca)  
Call: 1-844-893-3222 x523



## CONTENTS

	Page
Nomenclature.....	2
Features and Options.....	2
Capacity Data (Imperial and <i>Metric</i> ).....	3 - 6
Electrical Data.....	7 - 8
Dimensional Data.....	9
Specifications.....	10
Wiring Diagrams.....	11 - 13
Service Parts.....	14
Warranty.....	15
Project Information.....	15

# NOMENCLATURE



## STANDARD FEATURES

- Sturdy electrical control box with compressor contactor and fused control circuit
- Spring mounted, accessible semi-hermetic compressor
- Sealed liquid line filter drier and sight glass on 5.0 hp - up
- Discharge vibration eliminator
- Copper tubing secured with Hydra-Zorb / Cush-A-Clamp
- Shell and tube water cooled condenser with fusible plug or pressure relief valve and liquid shut off valve
- Adjustable dual high / low pressure control
- CoreSense™ on all applicable models
- Suction and discharge service valve
- Flex hose on all controls
- Auxillary cooling on low temperature models

## OPTIONAL FEATURES (Factory Mounted)

- Suction accumulator with or without heat exchanger
- Sealed or replaceable core suction filter with vibration eliminator
- Oil separator c/w oil return solenoid valve
- Replaceable core liquid line filter drier
- Liquid line solenoid valve w/ 230 volt coil (shipped loose)
- Ball valve (shipped loose)
- Compressor circuit breaker
- Compressor time delay relay
- Pump down toggle switch
- Time Clock
- Defrost contactor with fuse block
- Evaporator fan contactor with fuse block
- Fused disconnect
- Phase / voltage monitor
- Water valve (shipped loose)
- Marine duty (cupro-nickel) condenser

**OTHER OPTIONS AVAILABLE  
AT YOUR REQUEST -  
CONSULT FACTORY FOR PRICING**

**BW****CAPACITY DATA - R22  
MEDIUM TEMPERATURE****60Hz**

Capacity Rating Conditions: 85°F (29.4°C) Entering Water, 105°F (40.6°C) Condensing, 0°F (0°C) Subcooling

CONDENSING UNIT MODEL		SATURATED SUCTION TEMPERATURE °F (°C)								
		0 (-17.8)	5 (-15)	10 (-12.2)	15 (-9.4)	20 (-6.7)	25 (-3.9)	40 (4.4)	45 (7.2)	
<b>BW075M2</b> Compressor: KWN*-0075	BTU/H (Watts)	4400 (1290)	5120 (1500)	5890 (1730)	6740 (1980)	7660 (2240)	8660 (2540)	9750 (2860)	10930 (3200)	
	GPM (L/min)	0.9 (3.3)	1.0 (3.8)	1.2 (4.4)	1.3 (5.1)	1.5 (5.8)	1.8 (6.7)	2.0 (7.7)	2.3 (8.8)	
	PSIG (kPa)	0.2 (1.3)	0.3 (1.8)	0.4 (2.4)	0.5 (3.2)	0.6 (4.3)	0.8 (5.8)	1.1 (7.8)	1.5 (10.3)	
<b>BW100M2</b> Compressor: KWR*-0100	BTU/H (Watts)	6650 (1950)	7540 (2210)	8520 (2500)	9590 (2810)	10760 (3150)	12030 (3530)	13410 (3930)	14900 (4370)	
	GPM (L/min)	1.5 (5.7)	1.7 (6.5)	2.0 (7.6)	2.3 (8.8)	2.7 (10.2)	3.1 (11.8)	3.7 (13.9)	4.3 (16.2)	
	PSIG (kPa)	0.6 (4.1)	0.8 (5.5)	1.1 (7.5)	1.5 (10.2)	2.0 (13.9)	2.8 (19.2)	3.9 (26.5)	5.4 (37.2)	
<b>BW150M2</b> Compressor: KW*-0150	BTU/H (Watts)	7700 (2260)	8800 (2580)	10000 (2930)	11300 (3310)	12700 (3720)	14200 (4160)	15800 (4630)	17600 (5160)	
	GPM (L/min)	1.4 (5.3)	1.6 (6)	1.8 (6.8)	2.0 (7.7)	2.3 (8.7)	2.6 (9.8)	2.9 (11.1)	3.3 (12.5)	
	PSIG (kPa)	0.3 (2.3)	0.4 (2.9)	0.5 (3.7)	0.7 (4.7)	0.9 (5.9)	1.1 (7.3)	1.3 (9.1)	1.6 (11.3)	
<b>BW200M2</b> Compressor: ERA*-0200	BTU/H (Watts)	7700 (2260)	10200 (2990)	12800 (3750)	15400 (4510)	18200 (5330)	21100 (6180)	24200 (7090)	27600 (8090)	
	GPM (L/min)	1.6 (5.9)	2.1 (7.9)	2.6 (10)	3.2 (12.3)	3.9 (14.8)	4.7 (17.7)	5.6 (21.2)	6.7 (25.4)	
	PSIG (kPa)	0.4 (2.9)	0.7 (4.8)	1.1 (7.5)	1.6 (11)	2.3 (15.6)	3.2 (21.8)	4.4 (30.3)	6.2 (42.4)	

\* = Compressor model number may change based on voltage. See Electrical data on pages 7-8 for details.

**BW****CAPACITY DATA - R404A R507  
HIGH / MEDIUM TEMPERATURE****60Hz**

Capacity Rating Conditions: 85°F (29.4°C) Entering Water, 105°F (40.6°C) Condensing, 0°F (0°C) Subcooling

CONDENSING UNIT MODEL		SATURATED SUCTION TEMPERATURE °F (°C)							
		0 (-17.8)	5 (-15)	10 (-12.2)	15 (-9.4)	20 (-6.7)	25 (-3.9)		
<b>BW100M6</b> Compressor: KWR*-010E	BTU/H (Watts)	5500 (1610)	6300 (1850)	7200 (2110)	8100 (2370)	9000 (2640)	9900 (2900)		
	GPM (L/min)	1.4 (5.4)	1.7 (6.2)	1.9 (7.2)	2.2 (8.3)	2.5 (9.5)	2.9 (10.8)		
	PSIG (kPa)	0.5 (3.7)	0.7 (5)	1.0 (6.8)	1.3 (9.2)	1.8 (12.1)	2.3 (15.7)		
<b>BW200M6</b> Compressor: KW*-02*E	BTU/H (Watts)	9400 (2750)	10600 (3110)	11800 (3460)	13200 (3870)	14800 (4340)	16700 (4890)		
	GPM (L/min)	2.2 (8.2)	2.4 (9.2)	2.7 (10.3)	3.1 (11.6)	3.5 (13.2)	4.0 (15.2)		
	PSIG (kPa)	0.8 (5.2)	0.9 (6.5)	1.2 (8)	1.4 (9.9)	1.8 (12.5)	2.4 (16.4)		
<b>BW210M6</b> Compressor: ERCA-021E	BTU/H (Watts)	11200 (3280)	12800 (3750)	14600 (4280)	16400 (4810)	18500 (5420)	20800 (6100)		
	GPM (L/min)	2.6 (9.7)	3.0 (11.3)	3.5 (13.1)	4.0 (15.2)	4.7 (17.8)	5.5 (20.9)		
	PSIG (kPa)	1.0 (7)	1.4 (9.4)	1.8 (12.4)	2.4 (16.4)	3.2 (21.9)	4.3 (29.5)		

\* = Compressor model number may change based on voltage. See Electrical data on pages 7-8 for details.

## CAPACITY DATA - R22 HIGH / MEDIUM TEMPERATURE

Capacity Rating Conditions: 85°F (29.4°C) Entering Water, 105°F (40.6°C) Condensing, 0°F (0°C) Subcooling

CONDENSING UNIT MODEL	SATURATED SUCTION TEMPERATURE °F (°C)									
	10 (-12.2)	15 (-9.4)	20 (-6.7)	25 (-3.9)	30 (-1.1)	35 (1.7)	40 (4.4)	45 (7.2)		
<b>BW300M8</b> Compressor: ERF*-031E	BTU/H (Watts)	19300 (5660)	21900 (6420)	24600 (7210)	27600 (8090)	30900 (9060)	34400 (10080)	38200 (11200)	42300 (12400)	
	GPM (L/min)	4.1 (15.5)	4.7 (17.9)	5.4 (20.6)	6.3 (23.8)	7.3 (27.5)	8.5 (32)	9.9 (37.4)	11.6 (44)	
	PSIG (kPa)	1.9 (12.8)	2.4 (16.8)	3.2 (22.1)	4.2 (29.2)	5.6 (38.7)	7.5 (51.7)	10.1 (69.8)	13.9 (95.6)	
<b>BW500M8</b> Compressor: 2DC3R53KE	BTU/H (Watts)	30600 (8970)	35100 (10290)	39900 (11690)	45100 (13220)	50800 (14890)	56900 (16680)	63500 (18610)	70600 (20690)	
	GPM (L/min)	5.3 (20)	6.1 (23.1)	7.0 (26.5)	8.0 (30.4)	9.2 (34.8)	10.5 (39.9)	12.1 (45.8)	13.9 (52.7)	
	PSIG (kPa)	1.1 (7.4)	1.4 (9.7)	1.9 (12.8)	2.4 (16.5)	3.1 (21.5)	4.1 (28)	5.3 (36.5)	6.9 (47.8)	
<b>BW510M8</b> Compressor: 2DD3R63KE	BTU/H (Watts)	36000 (10550)	41100 (12050)	46600 (13660)	52500 (15390)	58900 (17260)	65900 (19310)	73400 (21510)	81500 (23890)	
	GPM (L/min)	6.5 (24.4)	7.5 (28.2)	8.6 (32.5)	9.9 (37.4)	11.4 (43.2)	13.2 (49.9)	15.3 (57.8)	17.8 (67.2)	
	PSIG (kPa)	1.6 (10.9)	2.1 (14.3)	2.7 (18.9)	3.6 (24.8)	4.7 (32.6)	6.2 (43)	8.3 (57.2)	11.1 (76.5)	
<b>BW750M8</b> Compressor: 2DL3R78KE	BTU/H (Watts)	45900 (13450)	52100 (15270)	58800 (17230)	66100 (19370)	73900 (21660)	82300 (24120)	91400 (26790)	101300 (29690)	
	GPM (L/min)	9.7 (36.8)	11.3 (42.6)	13.0 (49.2)	15.0 (56.6)	17.2 (65.2)	19.9 (75.1)	22.9 (86.8)	26.6 (100.8)	
	PSIG (kPa)	0.3 (1.9)	0.4 (2.4)	0.5 (3.2)	0.6 (4.1)	0.8 (5.4)	1.0 (7.1)	1.4 (9.3)	1.8 (12.3)	
<b>BW760M8</b> Compressor: 3DA3R10ME	BTU/H (Watts)	64300 (18840)	72400 (21220)	81100 (23770)	90600 (26550)	100800 (29540)	111900 (32790)	123800 (36280)	136700 (40060)	
	GPM (L/min)	15.8 (60)	18.4 (69.6)	21.4 (80.9)	24.9 (94.3)	29.2 (110.5)	34.4 (130.2)	40.8 (154.5)	48.9 (185.2)	
	PSIG (kPa)	0.7 (4.6)	0.9 (6.1)	1.2 (8.1)	1.6 (10.9)	2.1 (14.7)	2.9 (20.1)	4.0 (27.9)	5.7 (39.3)	
<b>BW1000M8</b> Compressor: 3DB3R12ME	BTU/H (Watts)	77300 (22650)	86600 (25380)	96600 (28310)	107600 (31530)	119400 (34990)	132200 (38740)	146000 (42790)	160900 (47150)	
	GPM (L/min)	16.5 (62.6)	18.9 (71.4)	21.5 (81.5)	24.6 (93.2)	28.2 (106.9)	32.5 (123)	37.5 (142)	43.5 (164.7)	
	PSIG (kPa)	0.5 (3.4)	0.7 (4.5)	0.8 (5.7)	1.1 (7.4)	1.4 (9.6)	1.8 (12.5)	2.4 (16.3)	3.1 (21.6)	
<b>BW1500M8</b> Compressor: 3DS3R17ME	BTU/H (Watts)	102100 (29920)	114500 (33560)	127900 (37480)	142500 (41760)	158300 (46390)	175400 (51400)	193900 (56830)	213900 (62690)	
	GPM (L/min)	21.1 (79.7)	24.0 (90.7)	27.3 (103.2)	31.0 (117.4)	35.4 (133.9)	40.4 (152.9)	46.3 (175.2)	53.2 (201.5)	
	PSIG (kPa)	0.4 (2.6)	0.5 (3.2)	0.6 (4.1)	0.8 (5.3)	1.0 (6.8)	1.3 (8.8)	1.6 (11.3)	2.1 (14.8)	
<b>BW2500M8</b> Compressor: 4DHNR22ME	BTU/H (Watts)	138100 (40470)	157200 (46070)	178000 (52170)	200300 (58700)	224100 (65680)	248900 (72950)	274700 (80510)	301200 (88270)	
	GPM (L/min)	32.2 (122)	37.9 (143.6)	44.8 (169.5)	52.9 (200.4)	62.7 (237.3)	74.4 (281.6)	88.4 (334.7)	103.1 (390.3)	
	PSIG (kPa)	0.8 (5.7)	1.1 (7.7)	1.5 (10.6)	2.1 (14.5)	2.9 (20.1)	4.0 (27.8)	5.6 (38.6)	7.1 (49)	
<b>BW3000M8</b> Compressor: 4DJNR28ME	BTU/H (Watts)	163700 (47980)	185300 (54310)	208700 (61160)	234000 (68580)	261100 (76520)	289900 (84960)	320500 (93930)	352800 (103400)	
	GPM (L/min)	32.1 (121.3)	36.9 (139.6)	42.4 (160.7)	48.9 (184.9)	56.3 (213)	64.9 (245.7)	75.0 (283.7)	86.7 (328.2)	
	PSIG (kPa)	0.6 (4.4)	0.8 (5.8)	1.1 (7.5)	1.4 (9.8)	1.9 (12.8)	2.4 (16.8)	3.2 (22)	4.2 (29)	
<b>BW3500M8</b> Compressor: 6DHNR35ME	BTU/H (Watts)	204600 (59960)	229000 (67110)	255900 (75000)	285200 (83580)	317300 (92990)	352300 (103250)	390400 (114410)	431700 (126520)	
	GPM (L/min)	37.0 (140.1)	41.8 (158.3)	47.3 (179.2)	53.7 (203.2)	61.0 (230.9)	69.6 (263.4)	79.6 (301.5)	91.6 (346.6)	
	PSIG (kPa)	0.8 (5.2)	1.0 (6.6)	1.2 (8.3)	1.5 (10.5)	1.9 (13.4)	2.5 (17.2)	3.2 (22.1)	4.2 (28.7)	
<b>BW4000M8</b> Compressor: 6DJNR40ME	BTU/H (Watts)	248300 (72770)	278500 (81620)	311100 (91170)	346300 (101490)	384200 (112600)	424800 (124500)	468300 (137240)	514600 (150810)	
	GPM (L/min)	45.4 (172)	51.6 (195.3)	58.6 (221.9)	66.6 (252.2)	75.8 (287)	86.5 (327.3)	98.8 (374)	113.2 (428.6)	
	PSIG (kPa)	0.9 (5.9)	1.1 (7.5)	1.4 (9.6)	1.8 (12.1)	2.3 (15.5)	2.9 (19.9)	3.7 (25.4)	4.8 (32.9)	

\* = Compressor model number may change based on voltage. See Electrical data on pages 7-8 for details.

Capacity Rating Conditions: 85°F (29.4°C) Entering Water, 105°F (40.6°C) Condensing, 0°F (0°C) Subcooling

CONDENSING UNIT MODEL		SATURATED SUCTION TEMPERATURE °F (°C)							
		0 (-17.8)	10 (-12.2)	20 (-6.7)	25 (-3.9)	30 (-1.1)	35 (1.7)	40 (4.4)	
<b>BW300M8</b> Compressor: ERF*-031E	BTU/H (Watts)	16400 (4810)	21100 (6180)	26700 (7820)	30000 (8790)	-	-	-	-
	GPM (L/min)	3.8 (14.4)	5.2 (19.5)	7.1 (26.7)	8.4 (31.6)	-	-	-	-
	PSIG (kPa)	1.6 (11)	2.9 (19.9)	5.3 (36.5)	7.3 (50.6)	-	-	-	-
<b>BW500M8</b> Compressor: 2DC3R53KE	BTU/H (Watts)	24800 (7270)	32300 (9470)	41400 (12130)	46600 (13660)	52200 (15300)	58300 (17090)	64800 (18990)	
	GPM (L/min)	4.6 (17.3)	6.0 (22.8)	7.9 (30.1)	9.2 (34.7)	10.6 (40)	12.2 (46.3)	14.2 (53.8)	
	PSIG (kPa)	0.8 (5.6)	1.4 (9.5)	2.4 (16.3)	3.1 (21.4)	4.1 (28.1)	5.4 (37.3)	7.2 (49.8)	
<b>BW510M8</b> Compressor: 2DD3R63KE	BTU/H (Watts)	30200 (8850)	39000 (11430)	49800 (14590)	55900 (16380)	62500 (18320)	69600 (20400)	77200 (22630)	
	GPM (L/min)	5.8 (21.9)	7.7 (29.1)	10.4 (39.3)	12.1 (45.8)	14.2 (53.6)	16.6 (63)	19.7 (74.4)	
	PSIG (kPa)	1.3 (8.8)	2.2 (15.3)	3.9 (27.2)	5.3 (36.5)	7.2 (49.4)	9.8 (67.4)	13.5 (93)	
<b>BW750M8</b> Compressor: 2DL3R78KE	BTU/H (Watts)	37700 (11050)	48200 (14130)	61000 (17880)	68300 (20020)	76200 (22330)	84800 (24850)	94000 (27550)	
	GPM (L/min)	8.5 (32.2)	11.3 (42.7)	15.1 (57.2)	17.5 (66.4)	20.5 (77.4)	24.0 (90.7)	28.2 (106.9)	
	PSIG (kPa)	0.2 (1.4)	0.4 (2.4)	0.6 (4.2)	0.8 (5.6)	1.1 (7.5)	1.5 (10.1)	2.0 (13.8)	
<b>BW760M8</b> Compressor: 3DA3R10ME	BTU/H (Watts)	52100 (15270)	66000 (19340)	82700 (24240)	92200 (27020)	102600 (30070)	113800 (33350)	126000 (36930)	
	GPM (L/min)	13.5 (51.3)	18.4 (69.7)	25.5 (96.5)	30.4 (114.9)	36.5 (138.2)	44.5 (168.3)	51.8 (196.2)	
	PSIG (kPa)	0.5 (3.4)	0.9 (6.1)	1.7 (11.4)	2.3 (15.9)	3.3 (22.5)	4.8 (32.8)	5.9 (40.8)	
<b>BW1000M8</b> Compressor: 3DB3R12ME	BTU/H (Watts)	63000 (18460)	79300 (23240)	98600 (28900)	109600 (32120)	121600 (35640)	134500 (39420)	148700 (43580)	
	GPM (L/min)	14.3 (54.3)	18.9 (71.4)	25.0 (94.7)	29.0 (109.8)	33.8 (127.9)	39.7 (150.3)	47.1 (178.3)	
	PSIG (kPa)	0.4 (2.6)	0.7 (4.5)	1.1 (7.6)	1.5 (10.1)	2.0 (13.4)	2.6 (18.2)	3.7 (25.2)	
<b>BW1500M8</b> Compressor: 3DS3R17ME	BTU/H (Watts)	86300 (25290)	108600 (31830)	135300 (39650)	150500 (44110)	167100 (48970)	185100 (54250)	204700 (59990)	
	GPM (L/min)	19.0 (72.1)	24.8 (94)	32.7 (123.8)	37.7 (142.7)	43.7 (165.6)	51.0 (193.2)	60.0 (227.2)	
	PSIG (kPa)	0.3 (2.1)	0.5 (3.4)	0.9 (5.9)	1.1 (7.7)	1.5 (10.1)	2.0 (13.6)	2.7 (18.5)	
<b>BW2500M8</b> Compressor: 4DHNR22ME	BTU/H (Watts)	114900 (33670)	146200 (42850)	183800 (53870)	204600 (59960)	226500 (66380)	249300 (73060)	273000 (80010)	
	GPM (L/min)	28.9 (109.3)	39.5 (149.5)	55.4 (209.6)	66.1 (250.2)	79.4 (300.6)	96.1 (363.7)	112.4 (425.3)	
	PSIG (kPa)	0.7 (4.6)	1.2 (8.3)	2.3 (15.9)	3.2 (22.2)	4.6 (31.4)	6.6 (45.2)	8.3 (57.2)	
<b>BW3000M8</b> Compressor: 4DJNR28ME	BTU/H (Watts)	137500 (40300)	175600 (51460)	220800 (64710)	246100 (72120)	273400 (80130)	302700 (88710)	334000 (97890)	
	GPM (L/min)	28.7 (108.7)	38.3 (144.8)	51.4 (194.4)	59.8 (226.3)	69.9 (264.5)	82.1 (310.8)	97.2 (367.9)	
	PSIG (kPa)	0.5 (3.6)	0.9 (6.2)	1.6 (10.8)	2.1 (14.3)	2.8 (19.2)	3.8 (26.1)	5.2 (35.9)	
<b>BW3500M8</b> Compressor: 6DHNR35ME	BTU/H (Watts)	175200 (51350)	221700 (64970)	277400 (81300)	309100 (90590)	343700 (100730)	381400 (111780)	422200 (123730)	
	GPM (L/min)	33.9 (128.3)	44.2 (167.2)	58.0 (219.5)	66.8 (252.8)	77.3 (292.6)	90.0 (340.8)	105.7 (400)	
	PSIG (kPa)	0.7 (4.5)	1.1 (7.3)	1.8 (12.1)	2.3 (15.9)	3.0 (20.9)	4.0 (27.8)	5.5 (37.6)	
<b>BW4000M8</b> Compressor: 6DJNR40ME	BTU/H (Watts)	208000 (60960)	261900 (76760)	325400 (95360)	360900 (105770)	398900 (116910)	439500 (128800)	482800 (141490)	
	GPM (L/min)	41.2 (156)	53.5 (202.7)	70.0 (264.9)	80.3 (304)	92.5 (350.1)	107.0 (405.2)	124.6 (471.5)	
	PSIG (kPa)	0.7 (5)	1.2 (8.1)	1.9 (13.3)	2.5 (17.2)	3.3 (22.5)	4.3 (29.6)	5.7 (39.4)	

- Outside Operating Range

\* = Compressor model number may change based on voltage. See Electrical data on pages 7-8 for details.

## LOW TEMPERATURE

Capacity Rating Conditions: 85°F (29.4°C) Entering Water, 105°F (40.6°C) Condensing, 0°F (0°C) Subcooling

CONDENSING UNIT MODEL	SATURATED SUCTION TEMPERATURE °F (°C)														
		-40 (-40)	-35 (-37.2)	-30 (-34.4)	-25 (-31.7)	-20 (-28.9)	-15 (-26.1)	-10 (-23.3)	-5 (-20.6)						
BW075L6 Compressor: KWM*-007E	BTU/H (Watts)	-	-	2360 (690)	2800 (820)	3320 (970)	3910 (1150)	4550 (1330)	5230 (1530)						
	GPM (L/min)	-	-	0.7 (2.5)	0.7 (2.6)	0.8 (3.1)	1.0 (3.6)	1.1 (4.2)	1.3 (4.8)						
	PSIG (kPa)	-	-	0.1 (0.6)	0.1 (0.8)	0.2 (1.2)	0.2 (1.6)	0.3 (2.2)	0.3 (2.2)	0.4 (3)					
BW100L6 Compressor: KWJ*-01*E	BTU/H (Watts)	2100 (620)	2590 (760)	3120 (910)	3690 (1080)	4320 (1270)	5010 (1470)	5780 (1690)	6640 (1950)						
	GPM (L/min)	0.5 (2)	0.7 (2.5)	0.8 (3)	0.9 (3.6)	1.1 (4.2)	1.3 (4.9)	1.5 (5.7)	1.8 (6.7)						
	PSIG (kPa)	0.1 (0.6)	0.1 (0.8)	0.2 (1.1)	0.2 (1.6)	0.3 (2.2)	0.4 (3)	0.6 (4.2)	0.8 (5.8)						
BW150L6 Compressor: KWL*-01*E	BTU/H (Watts)	2990 (880)	3860 (1130)	4710 (1380)	5580 (1640)	6490 (1900)	7460 (2190)	8520 (2500)	9690 (2840)						
	GPM (L/min)	0.9 (3.3)	1.1 (4.2)	1.4 (5.2)	1.7 (6.2)	2.0 (7.5)	2.3 (8.9)	2.8 (10.5)	3.3 (12.6)						
	PSIG (kPa)	0.2 (1.3)	0.3 (2.2)	0.5 (3.4)	0.7 (5)	1.1 (7.3)	1.5 (10.5)	2.2 (15)	3.2 (21.9)						
BW200L6 Compressor: EAD*-02*E	BTU/H (Watts)	3420 (1000)	4310 (1260)	5250 (1540)	6260 (1830)	7370 (2160)	8600 (2520)	9990 (2930)	11500 (3370)						
	GPM (L/min)	1.0 (3.8)	1.3 (4.8)	1.6 (6)	1.9 (7.3)	2.4 (9)	2.9 (11.1)	3.7 (13.8)	4.6 (17.5)						
	PSIG (kPa)	0.3 (1.8)	0.4 (2.9)	0.7 (4.6)	1.0 (7)	1.6 (10.8)	2.4 (16.7)	3.8 (26.4)	6.3 (43.6)						
BW300L6 Compressor: LAH*-03*E	BTU/H (Watts)	5660 (1660)	7280 (2130)	9130 (2680)	11200 (3280)	13600 (3990)	16100 (4720)	18900 (5540)	21900 (6420)						
	GPM (L/min)	1.5 (5.6)	1.9 (7)	2.4 (8.9)	3.0 (11.2)	3.7 (14)	4.7 (17.6)	5.9 (22.1)	7.4 (28)						
	PSIG (kPa)	0.4 (2.6)	0.6 (3.9)	0.9 (6.1)	1.3 (9.2)	2.1 (14.1)	3.1 (21.5)	4.8 (33)	7.4 (51)						
BW350L6 Compressor: 2DF3F16KE	BTU/H (Watts)	9600 (2810)	11600 (3400)	13900 (4070)	16300 (4780)	19000 (5570)	22000 (6450)	25300 (7410)	28900 (8470)						
	GPM (L/min)	2.4 (9)	3.0 (11.2)	3.6 (13.6)	4.3 (16.4)	5.2 (19.7)	6.3 (23.7)	7.6 (28.7)	9.3 (35.1)						
	PSIG (kPa)	0.7 (4.5)	1.0 (6.8)	1.4 (9.9)	2.1 (14.2)	2.9 (20.3)	4.2 (29)	6.1 (42)	9.0 (61.7)						
BW400L6 Compressor: 2DL3F20KE	BTU/H (Watts)	11900 (3490)	14300 (4190)	17000 (4980)	19900 (5830)	23100 (6770)	26600 (7800)	30400 (8910)	34600 (10140)						
	GPM (L/min)	3.1 (11.5)	3.8 (14.2)	4.6 (17.4)	5.6 (21.2)	6.9 (26)	8.4 (31.9)	10.5 (39.7)	13.3 (50.2)						
	PSIG (kPa)	1.1 (7.2)	1.6 (10.8)	2.3 (15.9)	3.4 (23.4)	5.0 (34.5)	7.5 (51.6)	11.4 (78.6)	17.9 (123.4)						
BW600L6 Compressor: 2DA3F23KE	BTU/H (Watts)	14100 (4130)	16900 (4950)	19900 (5830)	23100 (6770)	26600 (7800)	30500 (8940)	34700 (10170)	39300 (11520)						
	GPM (L/min)	3.0 (11.2)	3.5 (13.4)	4.1 (15.7)	4.8 (18.2)	5.6 (21.1)	6.4 (24.4)	7.4 (28.2)	8.6 (32.6)						
	PSIG (kPa)	0.4 (2.5)	0.5 (3.4)	0.7 (4.6)	0.9 (6.2)	1.2 (8.2)	1.6 (10.9)	2.1 (14.3)	2.7 (18.9)						
BW610L6 Compressor: 3DA3F28KE	BTU/H (Watts)	17400 (5100)	20500 (6010)	24000 (7030)	27800 (8150)	32000 (9380)	36600 (10730)	41600 (12190)	47100 (13800)						
	GPM (L/min)	3.8 (14.4)	4.5 (17)	5.3 (19.9)	6.1 (23.2)	7.1 (27)	8.3 (31.5)	9.7 (36.6)	11.3 (42.9)						
	PSIG (kPa)	0.6 (3.9)	0.8 (5.4)	1.1 (7.3)	1.4 (9.9)	1.9 (13.2)	2.6 (17.7)	3.5 (23.8)	4.7 (32.1)						
BW750L6 Compressor: 3DB3F33KE	BTU/H (Watts)	20600 (6040)	24500 (7180)	28600 (8380)	33100 (9700)	37900 (11110)	43200 (12660)	49100 (14390)	55600 (16290)						
	GPM (L/min)	4.7 (17.7)	5.6 (21.1)	6.6 (25)	7.8 (29.4)	9.1 (34.5)	10.7 (40.5)	12.7 (47.9)	15.1 (57)						
	PSIG (kPa)	0.9 (5.9)	1.2 (8.3)	1.7 (11.4)	2.3 (15.6)	3.1 (21.2)	4.2 (28.9)	5.8 (39.8)	8.1 (55.6)						
BW900L6 Compressor: 3DF3F40KE	BTU/H (Watts)	25200 (7390)	29700 (8700)	34700 (10170)	40200 (11780)	46300 (13570)	52900 (15500)	60200 (17640)	68100 (19960)						
	GPM (L/min)	6.5 (24.7)	7.8 (29.5)	9.3 (35.1)	11.0 (41.6)	13.0 (49.2)	15.4 (58.3)	18.3 (69.2)	21.8 (82.4)						
	PSIG (kPa)	0.1 (0.8)	0.2 (1.2)	0.2 (1.7)	0.3 (2.3)	0.5 (3.2)	0.6 (4.3)	0.9 (6.1)	1.2 (8.4)						
BW1000L6 Compressor: 3DS3F46KE	BTU/H (Watts)	28700 (8410)	33900 (9940)	39500 (11580)	45700 (13390)	52400 (15360)	59600 (17470)	67500 (19780)	76000 (22270)						
	GPM (L/min)	7.7 (29.1)	9.3 (35.1)	11.1 (41.9)	13.2 (50)	15.7 (59.6)	18.8 (71)	22.4 (84.7)	26.8 (101.5)						
	PSIG (kPa)	0.2 (1.2)	0.2 (1.7)	0.3 (2.3)	0.5 (3.2)	0.7 (4.6)	0.9 (6.3)	1.3 (8.9)	1.8 (12.5)						
BW1500L6 Compressor: 4DHNF63KE	BTU/H (Watts)	38000 (11140)	45900 (13450)	53900 (15800)	62400 (18290)	71400 (20930)	81000 (23740)	91500 (26820)	103000 (30190)						
	GPM (L/min)	9.8 (36.9)	11.9 (45)	14.2 (53.8)	16.8 (63.6)	19.8 (74.8)	23.2 (87.9)	27.3 (103.4)	32.4 (122.5)						
	PSIG (kPa)	0.2 (1.3)	0.3 (1.9)	0.4 (2.6)	0.5 (3.6)	0.7 (4.9)	1.0 (6.6)	1.3 (9)	1.8 (12.3)						
BW2000L6 Compressor: 4DJNF76KE	BTU/H (Watts)	46300 (13570)	55700 (16320)	65400 (19170)	75600 (22160)	86400 (25320)	97900 (28690)	110200 (32300)	123500 (36190)						
	GPM (L/min)	12.2 (46.3)	15.2 (57.3)	18.4 (69.7)	22.2 (83.8)	26.5 (100.3)	31.7 (119.9)	38.0 (144)	46.0 (174.2)						
	PSIG (kPa)	0.3 (1.9)	0.4 (3)	0.6 (4.3)	0.9 (6)	1.2 (8.5)	1.7 (11.9)	2.4 (16.8)	3.5 (24.1)						
BW2500L6 Compressor: 6DHNF93KE	BTU/H (Watts)	56300 (16500)	67200 (19690)	79400 (23270)	92700 (27170)	107200 (31420)	122900 (36020)	139600 (40910)	157400 (46130)						
	GPM (L/min)	14.2 (53.6)	17.1 (64.9)	20.6 (78.1)	24.7 (93.5)	29.5 (111.6)	35.2 (133.1)	41.8 (158.2)	49.9 (188.7)						
	PSIG (kPa)	0.2 (1.2)	0.3 (1.7)	0.4 (2.5)	0.5 (3.4)	0.7 (4.8)	1.0 (6.7)	1.4 (9.3)	1.9 (13)						
BW3000L6 Compressor: 6DJNF11ME	BTU/H (Watts)	64900 (19020)	77100 (22600)	90300 (26460)	104600 (30660)	120300 (35260)	137300 (40240)	155900 (45690)	176200 (51640)						
	GPM (L/min)	17.5 (66.1)	21.2 (80.3)	25.6 (96.8)	30.7 (116.2)	36.9 (139.5)	44.4 (167.9)	53.7 (203.2)	65.6 (248.1)						
	PSIG (kPa)	0.3 (1.8)	0.4 (2.6)	0.5 (3.7)	0.8 (5.2)	1.1 (7.3)	1.5 (10.4)	2.2 (15)	3.2 (21.9)						

\* = Compressor model number may change based on voltage. See Electrical data on pages 7-8 for details.

CONDENSING UNIT MODEL	COMPRESSOR MODEL NO.	POWER SUPPLY	COMPRESSOR		UNIT		
			RLA	LRA	MCA	MOP	
BW075M2-	IS2	KWN2-0075-CAV	208-230/1/60	6.1	36	7.6	15
	IT3	KWN1-0075-TAC	208-230/3/60	3.5	19.9	4.4	15
BW100M2-	IS2	KWR2-0100-CAV	208-230/1/60	7.4	40	9.3	15
	IT3	KWR1-0100-TAC	208-230/3/60	4.3	27	5.4	15
	IT4	KWR1-0100-TAD	460/3/60	2.2	13.5	2.8	15
BW150M2-	IS2	KWGB-0150-CAV	208-230/1/60	9.6	55	12.0	20
	IT3	KWR1-0150-TAC	208-230/3/60	4.3	27	5.4	15
	IT4	KWR1-0150-TAD	460/3/60	2.2	13.5	2.8	15
BW200M2-	IS3	ERA2-0200-CAB	230/1/60	10.4	58	13.0	20
	IT3	ERA1-0200-TAC	208-230/3/60	6.6	46	8.3	15
	IT4	ERA1-0200-TAD	460/3/60	3.5	23	4.4	15
	IT5	ERA1-0200-TAE	575/3/60	3.5	20	4.4	15
BW100M6-	IS2	KWRB-010E-CAV	208-230/1/60	7.4	40	9.3	15
	IT3	KWRA-010E-TAC	208-230/3/60	4.3	27	5.4	15
BW200M6-	IS2	KWKB-021E-CAV	208-230/1/60	10.6	55	13.3	20
	IT3	KWKA-020E-TAC	208-230/3/60	6.8	50	8.5	15
BW210M6-	IT3	ERCA-021E-TAC	208-230/3/60	8.8	46	11.0	15
	IT4	ERCA-021E-TAD	460/3/60	3.5	23	4.4	15
BW300M8-	IS3	ERFB-031E-CAB	230/1/60	17.0	86	21.3	35
	IT3	ERFA-031E-TAC	208-230/3/60	12.4	82	15.5	25
	IT4	ERFA-031E-TAD	460/3/60	5.8	41	7.3	15
	IT5	ERFA-031E-TAE	575/3/60	5.2	30	6.5	15
BW500M8-	IT3	2DC3R53KE-TFC	208-230/3/60	22.3	120	27.9	50
	IT4	2DC3R53KE-TFD	460/3/60	10.4	60	13.0	20
	IT5	2DC3R53KE-TFE	575/3/60	7.7	49	9.6	15
BW510M8-	IT3	2DD3R63KE-TFC	208-230/3/60	22.3	120	27.9	50
	IT4	2DD3R63KE-TFD	460/3/60	10.5	60	13.1	20
	IT5	2DD3R63KE-TFE	575/3/60	7.9	49	9.9	15
BW750M8-	IT3	2DL3R78KE-TFC	208-230/3/60	31.6	169	39.5	70
	IT4	2DL3R78KE-TFD	460/3/60	13.8	85	17.3	30
	IT5	2DL3R78KE-TFE	575/3/60	13.2	67	16.5	25
BW760M8-	IT3	3DA3R10ME-TFC	208-230/3/60	41	215	51.3	90
	IT4	3DA3R10ME-TFD	460/3/60	20	106	25.0	45
	IT5	3DA3R10ME-TFE	575/3/60	16.4	84	20.5	35
BW1000M8-	IT3	3DB3R12ME-TFC	208-230/3/60	43.6	215	54.5	90
	IT4	3DB3R12ME-TFD	460/3/60	20	106	25.0	45
	IT5	3DB3R12ME-TFE	575/3/60	16.5	84	20.6	35
BW1500M8-	IT3	3DS3R17ME-TFC	208-230/3/60	59.6	275	74.5	125
	IT4	3DS3R17ME-TFD	460/3/60	29	138	36.3	60
	IT5	3DS3R17ME-TFE	575/3/60	23.6	110	29.5	50
BW2500M8-	IT3	4DHNR22ME-TSK	208-230/3/60	82.1	428	102.6	175
	IT4	4DHNR22ME-TSK	460/3/60	41.1	214	51.4	90
	IT5	4DHNR22ME-TSE	575/3/60	34.4	172	43.0	70
BW3000M8-	IT3	4DJNR28ME-TSK	208-230/3/60	105.4	470	131.8	225
	IT4	4DJNR28ME-TSK	460/3/60	52.7	235	65.9	110
	IT5	4DJNR28ME-TSE	575/3/60	44.1	200	55.1	90
BW3500M8-	IT3	6DHNR35ME-TSK	208-230/3/60	125.1	565	156.4	250
	IT4	6DHNR35ME-TSK	460/3/60	62.6	283	78.3	125
	IT5	6DHNR35ME-TSE	575/3/60	43.1	230	53.9	90
BW4000M8-	IT3	6DJNR40ME-TSN	208-230/3/60	142.9	594	178.6	300
	IT4	6DJNR40ME-TSN	460/3/60	71.4	297	89.3	150
	IT5	6DJNR40ME-TSE	575/3/60	53.5	245	66.9	120

Above listed RLA value is based on UL rating method and may differ from published compressor RLA data.

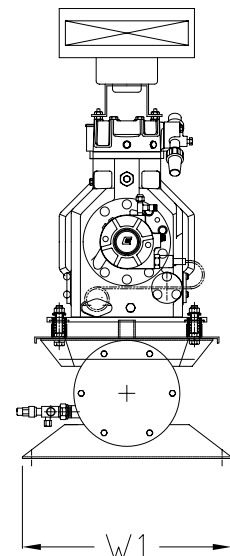
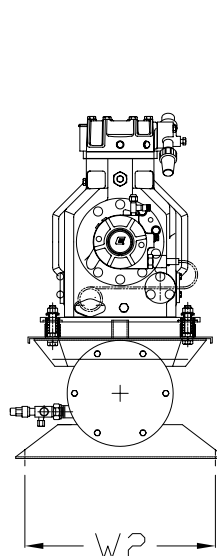
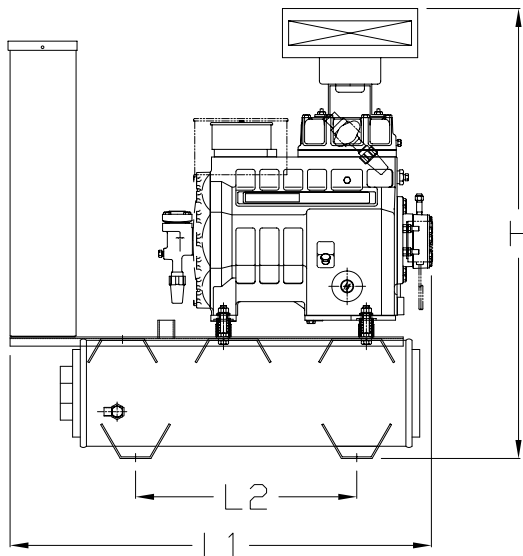
*table continues on next page >>>*

CONDENSING UNIT MODEL	COMPRESSOR MODEL NO.	POWER SUPPLY	COMPRESSOR		UNIT		
			RLA	LRA	MCA	MOP	
BW075L6-	IS2	KWMB-007E-CAV	208-230/1/60	5.6	36	7.0	15
	IT3	KWMA-007E-TAC	208-230/3/60	3.2	19.9	4.0	15
BW100L6-	IS2	KWJB-010E-CAV	208-230/1/60	6.9	40	8.6	15
	IT3	KWJA-011E-TAC	208-230/3/60	4.6	27	5.8	15
	IT4	KWJA-011E-TAD	460/3/60	2.1	15	2.6	15
BW150L6-	IS2	KWLB-015E-CAV	208-230/1/60	9.9	55	12.4	20
	IT3	KWLA-016E-TAC	208-230/3/60	6.6	50	8.3	15
	IT4	KWLA-016E-TAD	460/3/60	3.4	25	4.3	15
BW200L6-	IS3	EADB-021E-CAB	230/1/60	10	58	12.5	20
	IT3	EADA-020E-TAC	208-230/3/60	6.8	46	8.5	15
	IT4	EADA-020E-TAD	460/3/60	3.9	26.6	4.9	15
BW300L6-	IS3	LAHB-032E-CAB	208-230/1/60	16.7	105	20.9	35
	IT3	LAHA-032E-TAC	208-230/3/60	12.8	112	16.0	25
	IT4	LAHA-032E-TAD	460/3/60	6	56	7.5	15
	IT5	LAHA-032E-TAD	575/3/60	4.1	30	5.1	15
BW350L6-	IS2	2DF3F16KE-CFB	230/1/60	25.8	125	32.3	50
	IT3	2DF3F16KE-TFC	208-230/3/60	16.8	102	21.0	35
	IT4	2DF3F16KE-TFD	460/3/60	8.1	52	10.1	15
	IT5	2DF3F16KE-TFE	575/3/60	6.7	41	8.4	15
BW400L6-	IT3	2DL3F20KE-TFC	208-230/3/60	26.3	161	32.9	50
	IT4	2DL3F20KE-TFD	460/3/60	10.2	60	12.8	20
	IT5	2DL3F20KE-TFE	575/3/60	7.7	49	9.6	15
BW600L6-	IT3	2DA3F23KE-TFC	208-230/3/60	28.8	161	36.0	60
	IT4	2DA3F23KE-TFD	460/3/60	10.2	60	12.8	20
	IT5	2DA3F23KE-TFE	575/3/60	9.1	49	11.4	20
BW610L6-	IT3	3DA3F28KE-TFC	208-230/3/60	30.3	150	37.9	60
	IT4	3DA3F28KE-TFD	460/3/60	13.7	77	17.1	30
	IT5	3DA3F28KE-TFE	575/3/60	10.5	62	13.1	20
BW750L6-	IT3	3DB3F33KE-TFC	208-230/3/60	31.4	161	39.3	70
	IT4	3DB3F33KE-TFD	460/3/60	16.1	83	20.1	35
	IT5	3DB3F33KE-TFE	575/3/60	11	67	13.8	25
BW900L6-	IT3	3DF3F40KE-TFC	208-230/3/60	39	215	48.8	80
	IT4	3DF3F40KE-TFD	460/3/60	16.9	106	21.1	35
	IT5	3DF3F40KE-TFE	575/3/60	16.5	84	20.6	35
BW1000L6-	IT3	3DS3F46KE-TFC	208-230/3/60	41.4	215	51.8	90
	IT4	3DS3F46KE-TFD	460/3/60	18.6	106	23.3	40
	IT5	3DS3F46KE-TFE	575/3/60	16.2	84	20.3	35
BW1500L6-	IT3	4DHN63KE-TSK	208-230/3/60	52.6	278	65.8	110
	IT4	4DHN63KE-TSK	460/3/60	26.3	139	32.9	50
	IT5	4DHN63KE-TSE	575/3/60	20.9	113	26.1	45
BW2000L6-	IT3	4DJNF76KE-TSK	208-230/3/60	64.3	374	80.4	125
	IT4	4DJNF76KE-TSK	460/3/60	32.1	187	40.1	70
	IT5	4DJNF76KE-TSE	575/3/60	29.1	135	36.4	60
BW2500L6-	IT3	6DHN93KE-TSK	208-230/3/60	80.7	450	100.9	175
	IT4	6DHN93KE-TSK	460/3/60	40.4	225	50.5	90
	IT5	6DHN93KE-TSE	575/3/60	32.5	172	40.6	70
BW3000L6-	IT3	6DJNF11ME-TSK	208-230/3/60	95.6	470	119.5	200
	IT4	6DJNF11ME-TSK	460/3/60	47.8	235	59.8	100
	IT5	6DJNF11ME-TSE	575/3/60	39.6	200.0	49.5	80

Above listed RLA value is based on UL rating method and may differ from published compressor RLA data.



CONDENSING UNIT MODEL	OVERALL						BASE MTG. CENTERS			
	L1		W2		H		L2		W2	
	Inches	mm	Inches	mm	Inches	mm	Inches	mm	Inches	mm
BW075M2	35 1/4	894	15 1/2	394	25 5/8	651	14	356	13	330
BW100M2	35 1/4	894	15 1/2	394	25 5/8	651	14	356	13	330
BW150M2	36 1/2	927	15 1/2	394	26 1/4	667	18	457	13	330
BW200M2	36 3/4	934	15 1/2	394	26 1/4	667	18	457	13	330
BW100M6	35 1/4	894	15 1/2	394	25 5/8	651	14	356	13	330
BW200M6	37 1/2	953	15 1/2	394	26 1/4	667	18	457	13	330
BW210M6	37 1/2	953	15 1/2	394	26 1/4	667	18	457	13	330
BW300M8	36 1/2	927	17	432	28 3/4	730	18	457	15 1/2	394
BW310M8	36 5/8	929	17	432	28 3/4	730	18	457	15 1/2	394
BW500M8	42 5/8	1081	17	432	28 7/8	733	25	635	15 1/2	394
BW510M8	42 5/8	1081	17	432	28 7/8	733	25	635	15 1/2	394
BW750M8	45 1/4	1148	17	432	33	837	25	635	15 1/2	394
BW760M8	45 1/4	1148	17	432	31 7/8	811	25	635	15 1/2	394
BW1000M8	51 1/2	1308	27 1/2	699	31 7/8	811	38	965	15 1/2	394
BW1500M8	51 5/8	1311	27 1/2	699	33 7/8	861	38	965	15 1/2	394
BW2500M8	51 5/8	1311	27 1/2	699	33 3/4	856	38	965	15 1/2	394
BW3000M8	64	1626	27 1/2	699	33 3/4	856	38	965	15 1/2	394
BW3500M8	77 1/2	1969	27 1/2	699	33 7/8	860	38	965	18 1/2	470
BW4000M8	77 1/2	1969	27 1/2	699	36 3/4	932	38	965	18 1/2	470
BW075L6	35 1/4	894	15 1/2	394	25 5/8	651	14	356	13	330
BW100L6	35 1/4	894	15 1/2	394	25 5/8	651	14	356	13	330
BW150L6	35 1/4	894	15 1/2	394	25 5/8	651	14	356	13	330
BW200L6	36 1/4	919	15 1/2	394	25 5/8	651	14	356	13	330
BW300L6	38 1/4	972	15 1/2	394	35 1/4	895	18	457	13	330
BW350L6	38	966	17	432	37 7/8	961	18	457	15 1/2	394
BW400L6	38	966	17	432	37 7/8	961	18	457	15 1/2	394
BW600L6	42 5/8	1081	17	432	37 7/8	961	25	635	15 1/2	394
BW610L6	42	1069	17	432	37 3/4	960	25	635	15 1/2	394
BW750L6	42	1069	17	432	37 3/4	960	25	635	15 1/2	394
BW900L6	45 1/4	1148	17	432	39 7/8	1014	25	635	15 1/2	394
BW1000L6	45 1/4	1148	27 1/2	699	39 7/8	1014	25	635	15 1/2	394
BW1500L6	51 1/2	1308	27 1/2	699	36 7/8	937	38	965	15 1/2	394
BW2000L6	51 1/2	1308	27 1/2	699	36 7/8	937	38	965	15 1/2	394
BW2500L6	51 5/8	1311	27 1/2	699	41 7/8	1064	38	965	15 1/2	394
BW3000L6	51 5/8	1311	27 1/2	699	44 3/4	1136	38	965	15 1/2	394



## SPECIFICATIONS

CONDENSING UNIT MODEL	CONNECTION SIZES						RECEIVER CAPACITY 90% FULL		SHIPPING WEIGHT	
	WATER CONNECTION		LIQUID LINE VALVE		SUCTION LINE VALVE		Lbs.	Kgs	Lbs.	Kgs
	Inches	mm	Inches	mm	Inches	mm				
BW075M2	3/4	19	3/8	10	5/8	16	26	12	289	131
BW100M2	3/4	19	3/8	10	5/8	16	26	12	291	132
BW150M2	3/4	19	3/8	10	7/8	22	35	16	320	145
BW200M2	3/4	19	3/8	10	7/8	22	35	16	390	177
BW100M6	3/4	19	3/8	10	5/8	16	22	10	293	133
BW200M6	3/4	19	3/8	10	7/8	22	30	13	327	148
BW210M6	3/4	19	3/8	10	7/8	22	30	13	400	181
BW300M8 *	1 1/4	32	1/2	13	1 1/8	29	51	23	448	203
BW500M8 *	1 1/4	32	1/2	13	1 1/8	29	59	27	623	283
BW510M8 *	1 1/4	32	1/2	13	1 1/8	29	59	27	623	283
BW750M8 *	1 1/4	32	5/8	16	1 3/8	35	109	50	659	299
BW760M8 *	1 1/4	32	5/8	16	1 3/8	35	109	50	692	314
BW1000M8 *	1 1/4	32	7/8	22	1 3/8	35	123	56	860	390
BW1500M8 *	1 1/2	38	1 1/8	29	1 5/8	41	173	79	943	428
BW2500M8 *	1 1/2	38	1 1/8	29	2 1/8	54	173	79	1020	463
BW3000M8 *	2	51	1 1/8	29	2 1/8	54	196	89	1116	506
BW3500M8 *	2 1/2	64	1 3/8	35	2 1/8	54	231	105	1268	575
BW4000M8 *	2 1/2	64	1 5/8	41	2 1/8	54	225	102	1371	622
BW075L6	3/4	19	3/8	10	1 3/8	35	22	10	288	131
BW100L6	3/4	19	3/8	10	5/8	16	22	10	296	134
BW150L6	3/4	19	3/8	10	7/8	22	22	10	298	135
BW200L6	3/4	19	3/8	10	7/8	22	22	10	370	168
BW300L6	3/4	19	1/2	13	1 1/8	29	30	13	473	215
BW350L6	1 1/4	32	1/2	13	1 3/8	35	51	23	590	268
BW400L6	1 1/4	32	1/2	13	1 3/8	35	51	23	595	270
BW600L6	1 1/4	32	1/2	13	1 3/8	35	59	27	658	298
BW610L6	1 1/4	32	5/8	16	1 3/8	35	59	27	685	311
BW750L6	1 1/4	32	5/8	16	1 3/8	35	59	27	709	322
BW900L6	1 1/4	32	7/8	22	1 3/8	35	109	50	733	332
BW1000L6	1 1/4	32	1 1/8	29	1 3/8	35	109	50	753	342
BW1500L6	1 1/4	32	1 1/8	29	1 5/8	41	123	56	944	428
BW2000L6	1 1/4	32	1 1/8	29	2 1/8	54	123	56	949	430
BW2500L6	1 1/2	38	1 1/8	29	2 1/8	54	173	79	1091	495
BW3000L6	1 1/2	38	1 1/8	29	2 1/8	54	173	79	1140	517

**\* NOTE ON ALTERNATE REFRIGERANTS:**

\* PUBLISHED RECEIVER CAPACITY IS BASED ON **R404A** ON MODELS USING "8" AS REFRIGERANT CODE. FOR ALTERNATE REFRIGERANTS, MULTIPLY **R404A** VALUE BY THE APPROPRIATE VALUE BELOW:

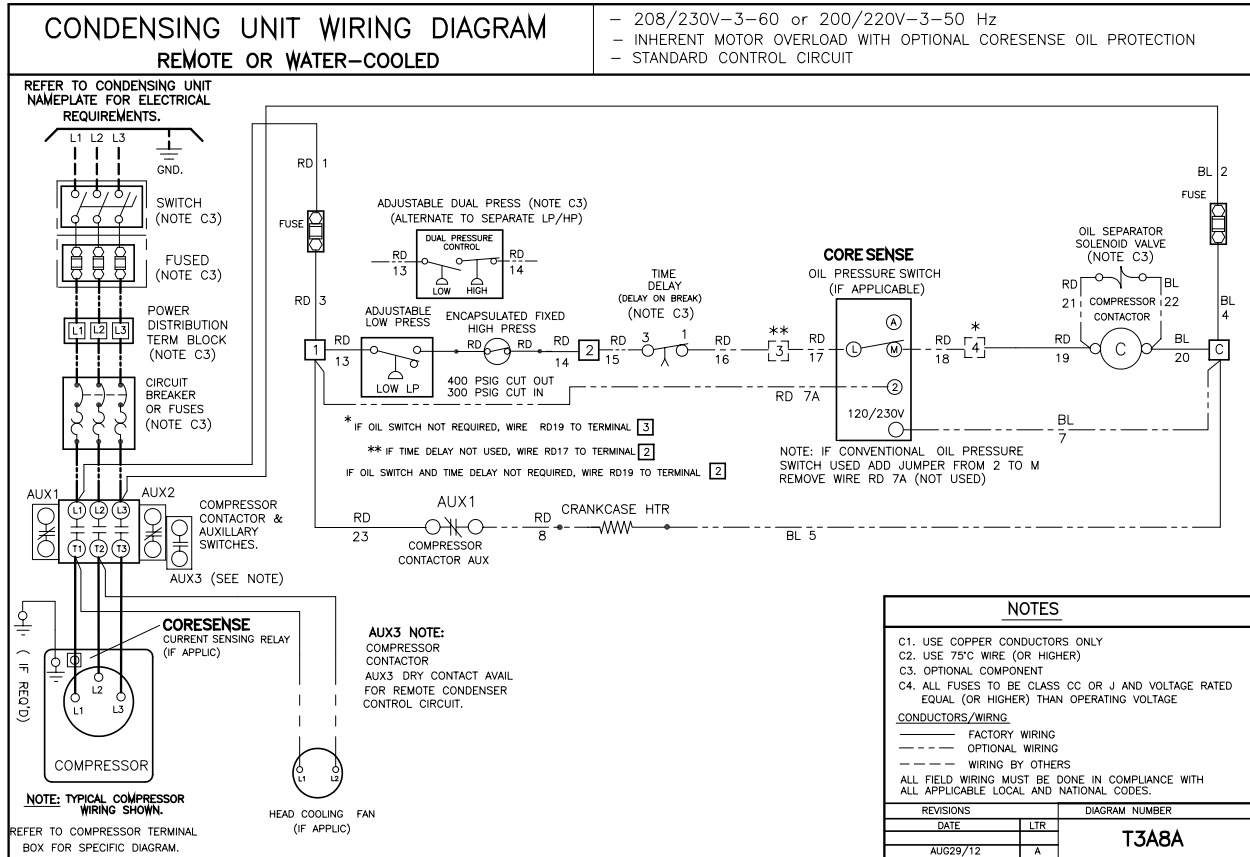
<b>R22</b>	<b>R507</b>
1.15	1.00



# TYPICAL SYSTEM WIRING DIAGRAM

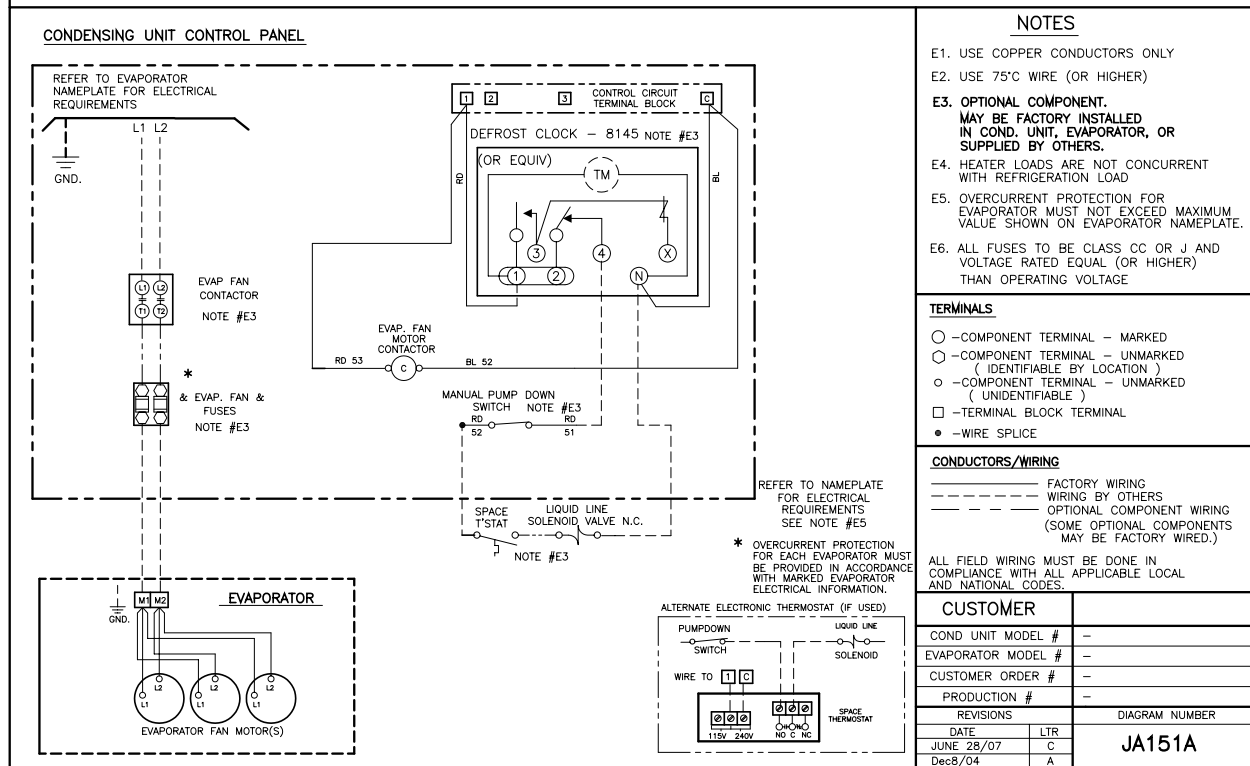
## 208-230/3/60 Unit

### with Medium Profile Air Defrost Evaporator



### TYPICAL EVAPORATOR WIRING: FOR ONE (1) MED PROFILE AIR DEFROST EVAPORATOR- REMOTE WIRED

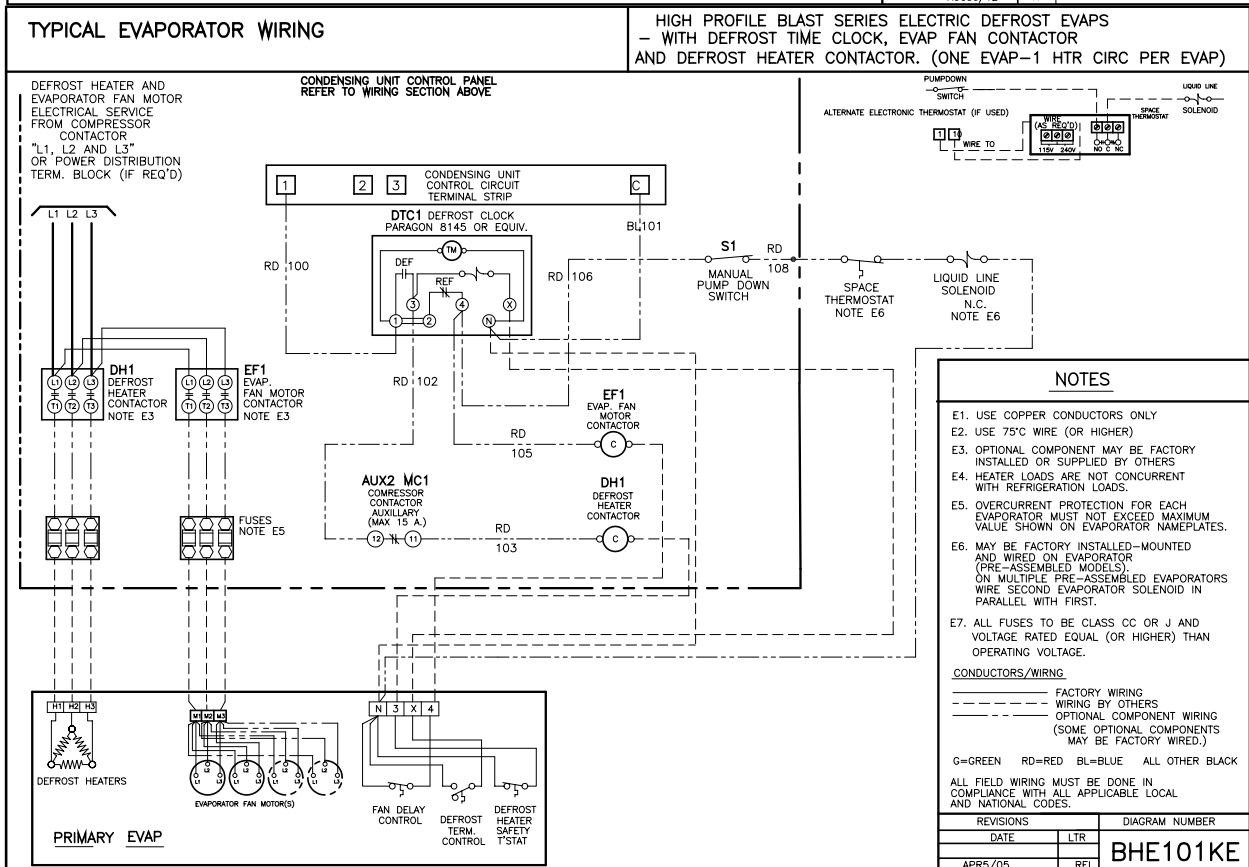
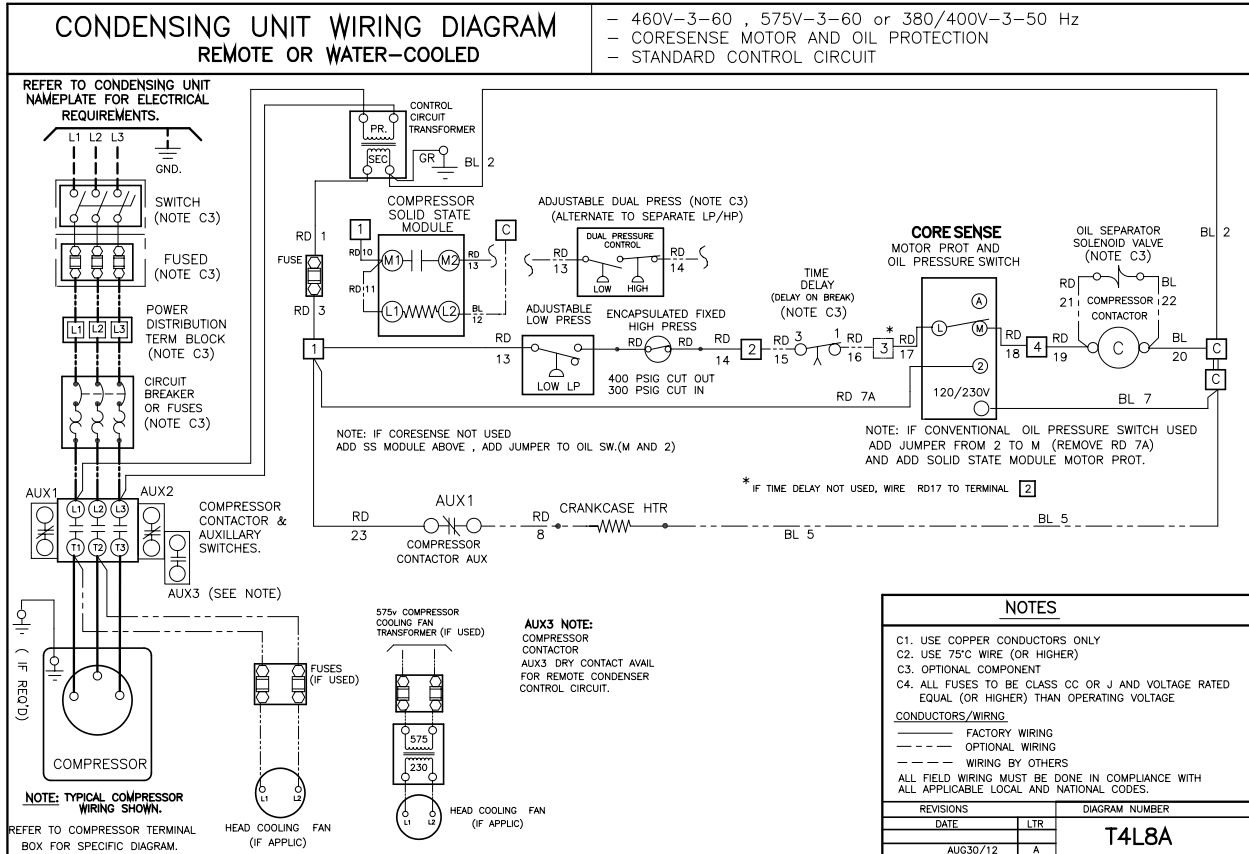
FOR USE WITH: SINGLE OR THREE PHASE CONDENSING UNITS WITH DEFROST TIME CLOCK, & EVAP FAN CONTACTOR.



# TYPICAL SYSTEM WIRING DIAGRAM

## 460/3/60 or 575/3/60 Unit

### with High Profile Electric Defrost Evaporator



**FOR SERVICE PARTS LOOK-UP:**

**[http://www.ballyrefboxes.com/Bally\\_Parts/Bally\\_parts.asp](http://www.ballyrefboxes.com/Bally_Parts/Bally_parts.asp)**

**email: [parts@b-rp.ca](mailto:parts@b-rp.ca)**

**call: 1-844-893-3222 x501**

## FINISHED GOODS WARRANTY

The terms and conditions as described below in the General Warranty Policy cover all products manufactured by National Refrigeration.

### GENERAL WARRANTY POLICY

Subject to the terms and conditions hereof, the Company warrants all Products, including Service Parts, manufactured by the Company to be free of defects in material or workmanship, under normal use and application for a period of one (1) year from the original date of installation, or eighteen (18) months from the date of shipment from the Company, whichever occurs first. Any replacement part(s) so supplied will be warranted for the balance of the product's original warranty. The part(s) to be replaced must be made available in exchange for the replacement part(s) and reasonable proof of the original installation date of the product must be presented in order to establish the effective date of the warranty, failing which, the effective date will be based upon the date of manufacture plus thirty (30) days. Any labour, material, refrigerant, transportation, freight or other charges incurred in connection with the performance of this warranty will be the responsibility of the owner at the current rates and prices then in effect. This warranty may be transferred to a subsequent owner of the product.

### THIS WARRANTY DOES NOT COVER

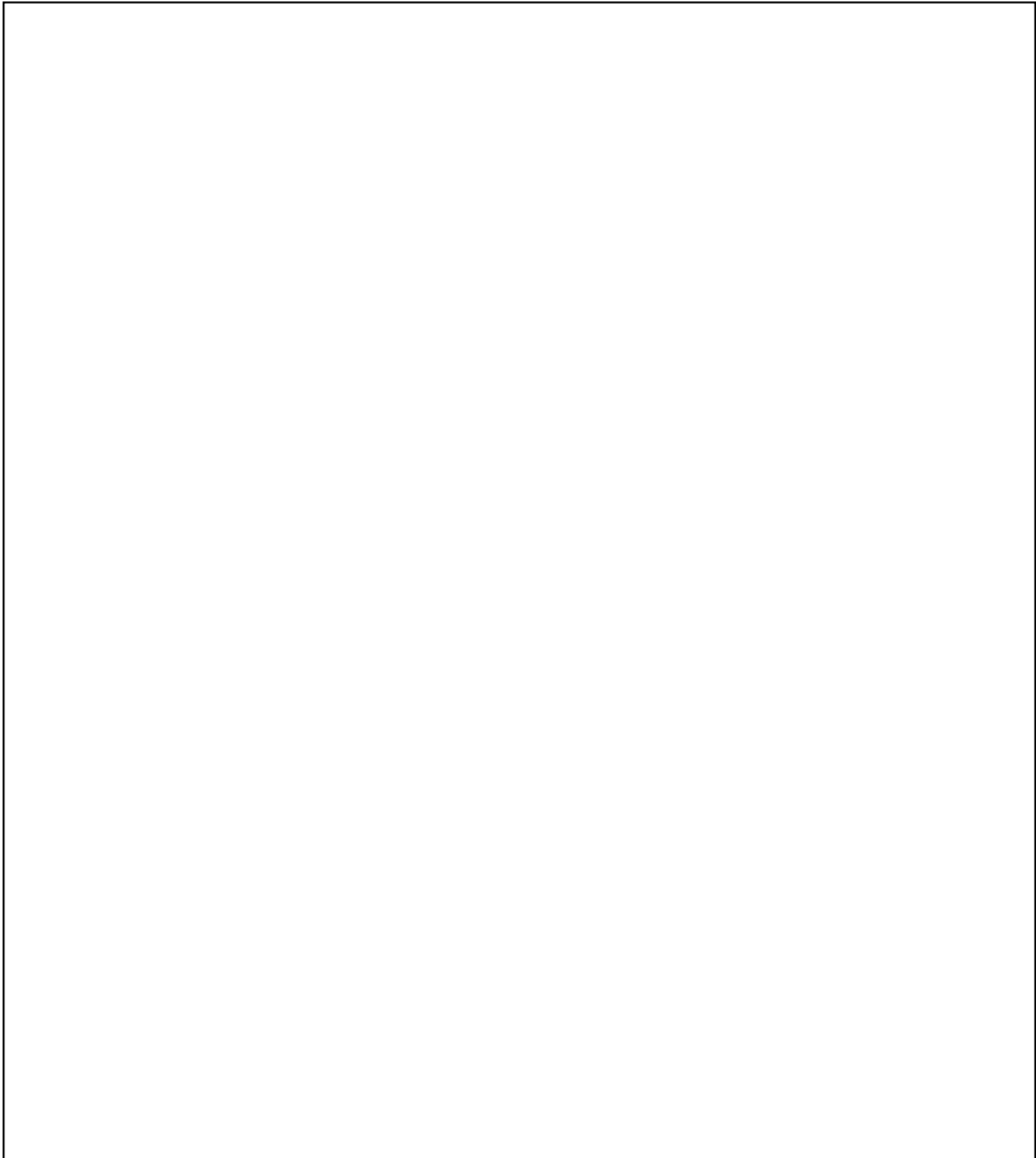
(a) Damages caused by accident, abuse, negligence, misuse, riot, fire, flood, or Acts of God (b) damages caused by operating the product in a corrosive atmosphere (c) damages caused by any unauthorized alteration or repair of the system affecting the product's reliability or performance (d) damages caused by improper matching or application of the product or the product's components (e) damages caused by failing to provide routine and proper maintenance or service to the product (f) expenses incurred for the erecting, disconnecting, or dismantling the product (g) parts used in connection with normal maintenance, such as filters or belts (h) products no longer at the site of the original installation (i) products installed or operated other than in accordance with the printed instructions, with the local installation or building codes and with good trade practices (j) products lost or stolen.

**No one is authorized to change this WARRANTY** or to create for or on behalf of the Company any other obligation or liability in connection with the Product(s). There is no other representation, warranty or condition in any respect, expressed or implied, made by or binding upon the Company other than the above or as provided by provincial or state law and which cannot be limited or excluded by such law, nor will we be liable in any way for incidental, consequential, or special damages however caused.

The provisions of this additional written warranty are in addition to and not a modification of or subtraction from the statutory warranties and other rights and remedies provided by Federal, Provincial or State laws.

## PROJECT INFORMATION

System	
Model Number	Date of Start-Up
Serial Number	Service Contractor
Refrigerant	Phone
Electrical Supply	Fax



**General Sales, Parts & Service, Manufacturing & Engineering**  
135 Little Nine Drive, Morehead City, NC 28557  
252-240-2829 • 1-800-24-BALLY • FAX: 252-240-0384  
e-mail: [ballysales@ballyrefboxes.com](mailto:ballysales@ballyrefboxes.com) • [www.ballyrefboxes.com](http://www.ballyrefboxes.com)

*Due to Manufacturer's policy of continuous product improvement,  
the Manufacturer reserves the right to make changes without notice.*

DISTRIBUTED BY:

