



RB-Line Condensing Units

PRODUCT DATA & SPECIFICATIONS



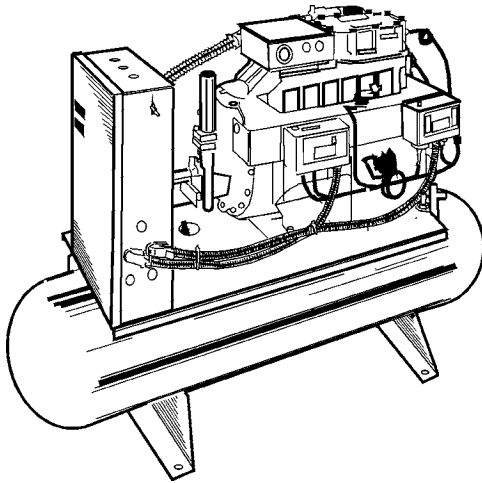
Bulletin B40-RB-PDS-16
1064618

60
Hz

Indoor Condensing Units
for Remote Condenser

1/2 to 40 HP -
High, Medium and Low
Temperature Refrigeration

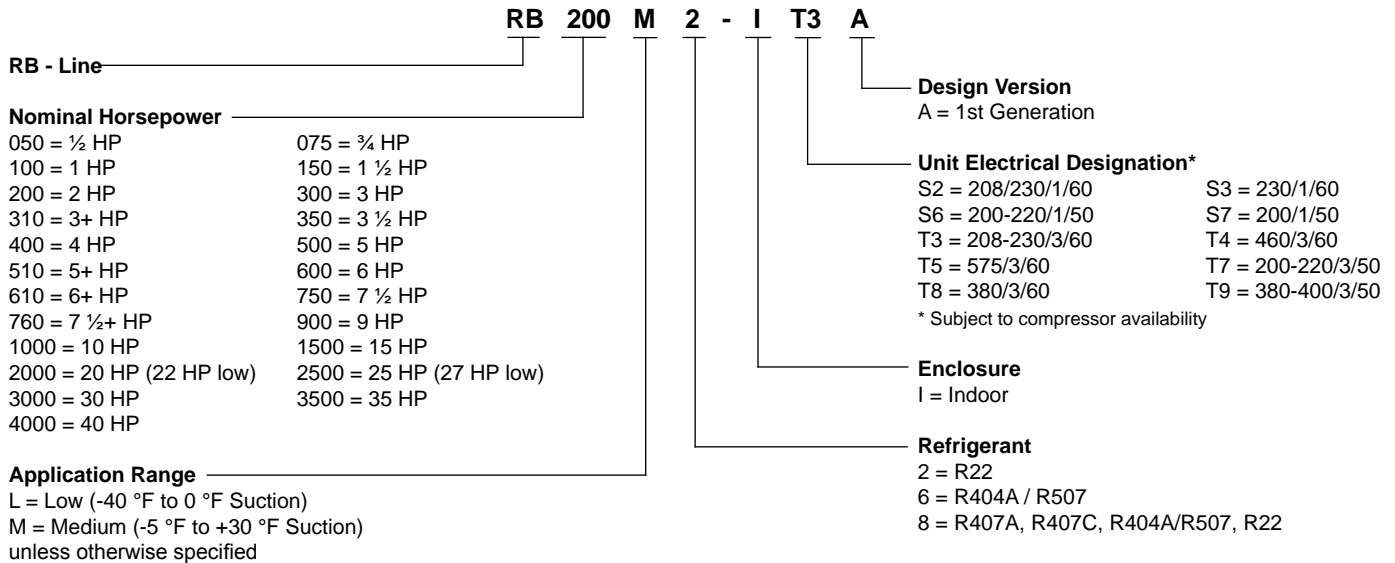
? Questions about this product? ?
Email: rcu-wccu@b-rp.ca
Call: 1-844-893-3222 x523



CONTENTS

	Page
Nomenclature.....	2
Features and Options.....	2
Capacity Data (Imperial and <i>Metric</i>).....	3 - 15
Electrical Data.....	16 - 17
Dimensional Data.....	18
Specifications.....	19
Wiring Diagrams.....	20 - 22
Warranty.....	23
Project Information.....	23

NOMENCLATURE



STANDARD FEATURES

- Compatible with Low GWP Refrigerants
- Sturdy electrical control box with compressor contactor and fused control circuit
- Spring mounted, accessible semi-hermetic compressor
- Compressor cooling fan (low temp. models and air cooled compressors only) on L6 units
- Sealed liquid line filter drier and sight glass on 5.0 hp - up
- Copper tubing secured with Hydra-Zorb / Cush-A-Clamp
- Receiver with fusible plug or pressure relief valve and liquid shut off valve
- Flex hose on all controls
- Adjustable dual high / low pressure control
- CoreSense™ on all applicable models
- Suction and discharge service valves
- Electronic liquid injection on L8 units

OPTIONAL FEATURES (Factory Mounted)

- Suction accumulator with or without heat exchanger
- Sealed or replaceable core suction filter with vibration eliminator
- Oil separator c/w oil return solenoid valve
- Over-sized receiver
- Receiver inlet valve
- Discharge vibration eliminator
- Sealed liquid line filter drier and sight glass
- Liquid line solenoid valve w/ 230 volt coil (shipped loose)
- Ball valve (shipped loose)
- Two valve adjustable flooded head pressure control
- Replaceable core liquid line filter drier
- Compressor circuit breaker
- Compressor time delay relay
- Pump down toggle switch
- Time Clock - Factory mounted and wired or shipped loose
- Defrost contactor with fuse block
- Evaporator fan contactor with fuse block
- Fused disconnect
- Phase / voltage monitor
- Compressor Unloading

**OTHER OPTIONS AVAILABLE
AT YOUR REQUEST -
CONSULT FACTORY FOR PRICING**

**CAPACITY DATA - R407A
HIGH / MEDIUM TEMPERATURE**

Application Data calculated at 65°F Return Gas, 0°F Liquid Subcooling

CONDENSING UNIT MODEL	SATURATED SUCTION TEMPERATURE		CAPACITY BTU/H (WATTS) R407A						CONDENSING TEMPERATURE °F (°C)							
	°F	°C	100 (37.8)	105 (40.6)	110 (43.3)	115 (46.1)	120 (48.9)	125 (51.7)	100 (37.8)	105 (40.6)	110 (43.3)	115 (46.1)	120 (48.9)	125 (51.7)		
RB500M8 Compressor Model 2DC3R53KE	40	(4.4)	70100 (20540)	67100 (19660)	64200 (18820)	61200 (17940)	58300 (17090)	55400 (16240)	40	(4.4)	80900 (23710)	77600 (22740)	74300 (21780)	70900 (20780)	67600 (19810)	64400 (18870)
	35	(1.7)	62400 (18290)	59700 (17500)	57000 (16700)	54300 (15910)	51700 (15150)	49000 (14360)	35	(1.7)	72200 (21160)	69100 (20250)	66100 (19370)	63100 (18490)	60100 (17610)	57100 (16730)
	30	(-1.1)	55300 (16210)	52900 (15500)	50400 (14770)	48000 (14070)	45600 (13360)	43200 (12660)	30	(-1.1)	64100 (18790)	61400 (17990)	58600 (17170)	55900 (16380)	53200 (15590)	50500 (14800)
	25	(-3.9)	48900 (14330)	46600 (13660)	44400 (13010)	42300 (12400)	40100 (11750)	38000 (11140)	25	(-3.9)	56800 (16650)	54300 (15910)	51800 (15180)	49300 (14450)	46900 (13740)	44600 (13070)
	20	(-6.7)	43000 (12600)	41000 (12020)	39000 (11430)	37100 (10870)	35200 (10320)	33300 (9760)	20	(-6.7)	50000 (14650)	47800 (14010)	45600 (13360)	43400 (12720)	41300 (12100)	39200 (11490)
	15	(-9.4)	37700 (11050)	35900 (10520)	34200 (10020)	32400 (9500)	30800 (9030)	29100 (8530)	15	(-9.4)	44000 (12900)	42000 (12310)	40100 (11750)	38200 (11200)	36300 (10640)	34500 (10110)
	10	(-12.2)	33000 (9670)	31400 (9200)	29900 (8760)	28300 (8290)	26900 (7880)	25500 (7470)	10	(-12.2)	38600 (11310)	36900 (10810)	35200 (10320)	33500 (9820)	32000 (9380)	30400 (8910)
	5	(-15.0)	28800 (8440)	27400 (8030)	26100 (7650)	24800 (7270)	23500 (6890)	22300 (6540)	5	(-15.0)	33800 (9910)	32300 (9470)	30900 (9060)	29500 (8650)	28200 (8260)	26900 (7880)
0	(-17.8)	25100 (7360)	23900 (7000)	22800 (6680)	21700 (6360)	20600 (6040)	19600 (5740)	0	(-17.8)	29700 (8700)	28400 (8320)	27200 (7970)	26100 (7650)	25000 (7330)	24000 (7030)	
RB750M8 Compressor Model 2DL3R78KE	40	(4.4)	100600 (29480)	96800 (28370)	92800 (27200)	88900 (26050)	84900 (24880)	80900 (23710)	40	(4.4)	110600 (32480)	106800 (31370)	102800 (30200)	98900 (29050)	94900 (27880)	90900 (26710)
	35	(1.7)	90000 (26380)	86400 (25320)	82800 (24270)	79200 (23210)	75600 (22160)	72000 (21100)	35	(1.7)	100000 (29480)	96400 (28370)	92400 (27200)	88500 (26050)	84500 (24880)	80500 (23710)
	30	(-1.1)	80200 (23500)	77000 (22570)	73700 (21600)	70500 (20660)	67200 (19690)	64000 (18760)	30	(-1.1)	90200 (26380)	87000 (25450)	83700 (24480)	80500 (23550)	77200 (22580)	74000 (21650)
	25	(-3.9)	71200 (20870)	68300 (20020)	65400 (19170)	62500 (18320)	59600 (17470)	56700 (16620)	25	(-3.9)	81200 (23970)	78300 (23120)	75400 (22270)	72500 (21420)	69600 (20570)	66700 (19720)
	20	(-6.7)	63000 (18460)	60400 (17700)	57900 (16970)	55300 (16210)	52800 (15470)	50300 (14740)	20	(-6.7)	73000 (21460)	70400 (20700)	67900 (20000)	65300 (19240)	62800 (18500)	60300 (17760)
	15	(-9.4)	55600 (16290)	53400 (15650)	51100 (14980)	48900 (14330)	46700 (13690)	44600 (13070)	15	(-9.4)	65600 (19290)	63400 (18650)	61100 (18000)	58900 (17350)	56700 (16710)	54600 (16070)
	10	(-12.2)	49000 (14360)	47000 (13770)	45100 (13220)	43200 (12660)	41400 (12130)	39700 (11630)	10	(-12.2)	59000 (17360)	57000 (16770)	55100 (16220)	53200 (15660)	51400 (15130)	49700 (14630)
	5	(-15.0)	43000 (12600)	41400 (12130)	39800 (11660)	38300 (11220)	36800 (10780)	35400 (10370)	5	(-15.0)	53000 (15500)	51400 (15030)	49800 (14560)	48300 (14120)	46800 (13680)	45400 (13270)
0	(-17.8)	37800 (11080)	36500 (10700)	35200 (10320)	34000 (9960)	32900 (9640)	31900 (9350)	0	(-17.8)	47800 (14080)	46500 (13700)	45200 (13320)	44000 (12960)	42900 (12640)	41900 (12350)	
RB760M8 Compressor Model 3DA3R10ME	40	(4.4)	137300 (40240)	131900 (38660)	126500 (37070)	121100 (35490)	115700 (33910)	110400 (32350)	40	(4.4)	147300 (43240)	141900 (41660)	136500 (40070)	131100 (38490)	125700 (36910)	120400 (35350)
	35	(1.7)	123200 (36110)	118400 (34700)	113600 (33290)	108800 (31890)	104000 (30480)	99200 (29070)	35	(1.7)	133200 (39110)	128400 (37500)	123600 (36090)	118800 (34690)	114000 (33280)	109200 (31870)
	30	(-1.1)	110200 (32300)	105900 (31040)	101700 (29810)	97300 (28520)	93000 (27260)	88700 (26000)	30	(-1.1)	120200 (35200)	116000 (33940)	111800 (32650)	107600 (31360)	103400 (30070)	99200 (28780)
	25	(-3.9)	98300 (28810)	94500 (27700)	90600 (26550)	86700 (25410)	82800 (24270)	78800 (23090)	25	(-3.9)	108300 (31700)	104500 (30600)	100600 (29450)	96700 (28310)	92800 (27170)	88900 (26030)
	20	(-6.7)	87300 (25590)	83900 (24590)	80400 (23560)	76800 (22510)	73200 (21450)	69600 (20400)	20	(-6.7)	97300 (28520)	93900 (27520)	90400 (26490)	86800 (25440)	83200 (24390)	79600 (23340)
	15	(-9.4)	77200 (22630)	74200 (21750)	71000 (20810)	67700 (19840)	64300 (18840)	60900 (17850)	15	(-9.4)	87200 (25520)	84200 (24640)	81000 (23700)	77700 (22730)	74300 (21730)	70900 (20740)
	10	(-12.2)	68100 (19960)	65200 (19110)	62200 (18230)	59200 (17350)	56000 (16410)	52700 (15440)	10	(-12.2)	78100 (22960)	75200 (22110)	72200 (21230)	69200 (20350)	66000 (19410)	62700 (18440)
	5	(-15.0)	59800 (17530)	57000 (16700)	54200 (15880)	51200 (15010)	48100 (14100)	44900 (13160)	5	(-15.0)	69800 (20530)	67000 (19700)	64200 (18880)	61200 (18010)	58100 (17100)	54900 (16160)
0	(-17.8)	52200 (15300)	49600 (14540)	46800 (13720)	43800 (12840)	40700 (11930)	37500 (10990)	0	(-17.8)	62200 (18230)	59400 (17400)	56600 (16580)	53600 (15710)	50500 (14800)	47300 (13860)	
RB1000M8 Compressor Model 3DB3R12ME	40	(4.4)	161400 (47300)	155400 (45540)	149300 (43760)	143200 (41970)	137000 (40150)	130900 (38360)	40	(4.4)	171400 (50300)	165400 (48540)	159300 (46760)	153200 (44970)	147000 (43150)	140900 (41360)
	35	(1.7)	145200 (42550)	139800 (40970)	134400 (39390)	128900 (37780)	123400 (36160)	117800 (34520)	35	(1.7)	155200 (45550)	150000 (43970)	144600 (42390)	139100 (40780)	133600 (39160)	128100 (37520)
	30	(-1.1)	130200 (38160)	125400 (36750)	120600 (35340)	115700 (33910)	110700 (32440)	105600 (30950)	30	(-1.1)	140200 (41160)	136000 (39750)	131600 (38360)	127100 (36970)	122600 (35580)	118100 (34190)
	25	(-3.9)	116400 (34110)	112200 (32880)	107800 (31590)	103400 (30300)	98800 (28960)	94100 (27580)	25	(-3.9)	126400 (37110)	122800 (36080)	119000 (34890)	115100 (33700)	111200 (32510)	107300 (31320)
	20	(-6.7)	103800 (30420)	100000 (29310)	96000 (28130)	91900 (26930)	87700 (25700)	83300 (24410)	20	(-6.7)	113800 (33420)	110600 (32420)	107200 (31230)	103700 (30040)	100200 (28850)	96700 (27660)
	15	(-9.4)	92200 (27020)	88700 (26000)	85100 (24940)	81300 (23830)	77300 (22650)	73200 (21450)	15	(-9.4)	102200 (30020)	99000 (29000)	95600 (27910)	92100 (26810)	88500 (25710)	84900 (24610)
	10	(-12.2)	81600 (23910)	78400 (22980)	75000 (21980)	71400 (20930)	67600 (19810)	63600 (18640)	10	(-12.2)	91600 (26910)	88800 (26080)	85800 (25080)	82600 (24030)	79300 (23030)	75900 (22030)
	5	(-15.0)	72000 (21100)	68900 (20190)	65600 (19230)	62100 (18200)	58500 (17140)	54600 (16000)	5	(-15.0)	82000 (24100)	79200 (23290)	76200 (22330)	73000 (21380)	69700 (20430)	66300 (19480)
0	(-17.8)	63200 (18520)	60200 (17640)	57000 (16700)	53500 (15680)	49800 (14590)	45900 (13450)	0	(-17.8)	73200 (21320)	70600 (20510)	67800 (19660)	64900 (18810)	61900 (17960)	58900 (17110)	

NOTES: - Above ratings are based on mean temperature. - To convert to dew point ratings, use 0.95 multiplier.

table continues on next page >>>

CAPACITY DATA - R407A
HIGH / MEDIUM TEMPERATURE (cont'd)
 Application Data calculated at 65°F Return Gas, 0°F Liquid Subcooling

CONDENSING UNIT MODEL	SATURATED SUCTION TEMPERATURE °F °C	CAPACITY BTU/H (WATTS) R407A					CONDENSING TEMPERATURE °F (°C)				
		100 (37.8)	105 (40.6)	110 (43.3)	115 (46.1)	120 (48.9)	125 (51.7)				
RB1500M8 Compressor Model 3DS3R17ME	40 (4.4)	214900 (62980)	206300 (60460)	197900 (58000)	189500 (55540)	181200 (53100)	173100 (50730)				
	35 (1.7)	193000 (56560)	185500 (54360)	178000 (52170)	170600 (50000)	163300 (47860)	156100 (45750)				
	30 (-1.1)	172900 (50670)	166300 (48740)	159700 (46800)	153200 (44900)	146700 (42990)	140200 (41090)				
	25 (-3.9)	154400 (45250)	148600 (43550)	142800 (41850)	137000 (40150)	131200 (38450)	125400 (36750)				
	20 (-6.7)	137500 (40300)	132300 (38770)	127100 (37250)	121900 (35730)	116700 (34200)	111500 (32680)				
	15 (-9.4)	121900 (35730)	117300 (34380)	112700 (33030)	108000 (31650)	103200 (30240)	98400 (28840)				
	10 (-12.2)	107700 (31560)	103500 (30330)	99300 (29100)	94900 (27810)	90500 (26520)	86000 (25200)				
	5 (-15.0)	94700 (27750)	90800 (26610)	86900 (25470)	82800 (24270)	78500 (23010)	74200 (21750)				
0 (-17.8)	82800 (24270)	79200 (23210)	75300 (22070)	71300 (20900)	67200 (19690)	63000 (18460)					
RB2500M8 Compressor Model 4DHNR22ME	40 (4.4)	307000 (89970)	296000 (86750)	284400 (83350)	272400 (79830)	260000 (76200)	247400 (72510)				
	35 (1.7)	277600 (81360)	267300 (78340)	256600 (75200)	245400 (71920)	234000 (68580)	222300 (65150)				
	30 (-1.1)	249300 (73060)	239800 (70280)	229900 (67380)	219600 (64360)	209100 (61280)	198400 (58150)				
	25 (-3.9)	222400 (65180)	213600 (62600)	204500 (59930)	195100 (57180)	185500 (54360)	175900 (51550)				
	20 (-6.7)	197000 (57730)	189000 (55390)	180700 (52960)	172100 (50440)	163500 (47920)	154900 (45400)				
	15 (-9.4)	173300 (50790)	166100 (48680)	158600 (46480)	150900 (44220)	143300 (42000)	135700 (39770)				
	10 (-12.2)	151500 (44400)	145000 (42500)	138400 (40560)	131600 (38570)	125000 (36630)	118500 (34730)				
	5 (-15.0)	131800 (38630)	126100 (36960)	120300 (35260)	114500 (33560)	108800 (31890)	103300 (30270)				
0 (-17.8)	114400 (33530)	109500 (32090)	104500 (30630)	99600 (29190)	94900 (27810)	90500 (26520)					
RB3000M8 Compressor Model 4DJNR28ME	40 (4.4)	357600 (104800)	345100 (101140)	332000 (97300)	318500 (93340)	304500 (89240)	290100 (85020)				
	35 (1.7)	323000 (94660)	311200 (91200)	299100 (87660)	286600 (83990)	273700 (80210)	260500 (76340)				
	30 (-1.1)	290200 (85050)	279400 (81880)	268200 (78600)	256700 (75230)	245000 (71800)	233000 (68290)				
	25 (-3.9)	259400 (76020)	249500 (73120)	239300 (70130)	228800 (67050)	218200 (63950)	207500 (60810)				
	20 (-6.7)	230600 (67580)	221600 (64940)	212300 (62220)	203000 (59490)	193600 (56740)	184100 (53950)				
	15 (-9.4)	203800 (59730)	195700 (57350)	187500 (54950)	179200 (52520)	171000 (50110)	162800 (47710)				
	10 (-12.2)	179000 (52460)	171800 (50350)	164700 (48270)	157600 (46190)	150500 (44110)	143600 (42080)				
	5 (-15.0)	156300 (45810)	150100 (43990)	144000 (42200)	138000 (40440)	132200 (38740)	126600 (37100)				
0 (-17.8)	135700 (39770)	130400 (38220)	125400 (36750)	120600 (35340)	116000 (34000)	111700 (32740)					
RB3500M8 Compressor Model 6DHNR35ME	40 (4.4)	430200 (126080)	416900 (122180)	403500 (118250)	389700 (114210)	375500 (110050)	360700 (105710)				
	35 (1.7)	387900 (113680)	375600 (110080)	363200 (106440)	350400 (102690)	337200 (98820)	323400 (94780)				
	30 (-1.1)	350000 (102570)	338700 (99260)	327200 (95890)	315500 (92460)	303400 (88920)	290700 (85200)				
	25 (-3.9)	315800 (92550)	305500 (89530)	295100 (86480)	284400 (83350)	273400 (80130)	261800 (76730)				
	20 (-6.7)	284700 (83440)	275400 (80710)	266100 (77990)	256500 (75170)	246600 (72270)	236100 (69190)				
	15 (-9.4)	256200 (75080)	247900 (72650)	239700 (70250)	231200 (67760)	222300 (65150)	213000 (62420)				
	10 (-12.2)	229500 (67260)	222300 (65150)	215200 (63070)	207800 (60900)	200100 (58640)	192000 (56270)				
	5 (-15.0)	204100 (59820)	198000 (58030)	192000 (56270)	185800 (54450)	179200 (52520)	172300 (50500)				
0 (-17.8)	179400 (52580)	174400 (51110)	169500 (49680)	164400 (48180)	159100 (46630)	153300 (44930)					
RB4000M8 Compressor Model 6DJNR40ME	40 (4.4)	528000 (154740)	508500 (149030)	488400 (143140)	467900 (137130)	447000 (131000)	425800 (124790)				
	35 (1.7)	471700 (138240)	455000 (133350)	437700 (128280)	420000 (123090)	402000 (117810)	383600 (112420)				
	30 (-1.1)	422600 (123850)	408200 (119630)	393300 (115260)	378000 (110780)	362300 (106180)	346300 (101490)				
	25 (-3.9)	379600 (111250)	367000 (107560)	354000 (103750)	340600 (99820)	326800 (95780)	312700 (91640)				
	20 (-6.7)	341300 (100020)	330200 (96770)	318600 (93370)	306600 (89860)	294300 (86250)	281700 (82560)				
	15 (-9.4)	306600 (89860)	296500 (86900)	285900 (83790)	274900 (80560)	263600 (77250)	252000 (73850)				
	10 (-12.2)	274300 (80390)	264700 (77580)	254700 (74640)	244300 (71600)	233500 (68430)	222400 (65180)				
	5 (-15.0)	243200 (71270)	233700 (68490)	223800 (65590)	213400 (62540)	202800 (59430)	191800 (56210)				
0 (-17.8)	212200 (62190)	202300 (59290)	192000 (56270)	181300 (53130)	170300 (49910)	159000 (46600)					

NOTES: - Above ratings are based on mean temperature. - To convert to dew point ratings, use 0.95 multiplier.

CAPACITY DATA - R407A
LOW TEMPERATURE (cont'd)

Application Data calculated at 65°F Return Gas, 0°F Liquid Subcooling

CONDENSING UNIT MODEL	SATURATED SUCTION TEMPERATURE		CAPACITY BTU/H (WATTS) R407A CONDENSING TEMPERATURE °F (°C)									
	°F	°C	100 (37.8)	105 (40.6)	110 (43.3)	115 (46.1)	120 (48.9)	125 (51.7)				
RB1000L8 Compressor Model 3DS3F46KE	0	(-17.8)	83100 (24350)	80000 (23450)	76700 (22480)	73400 (21510)	70000 (20510)	66500 (19490)				
	-5	(-20.6)	72800 (21340)	69800 (20460)	66800 (19580)	63600 (18640)	60400 (17700)	57100 (16730)				
	-10	(-23.3)	63500 (18610)	60700 (17790)	57800 (16940)	54900 (16090)	51900 (15210)	48800 (14300)				
	-15	(-26.1)	55000 (16120)	52400 (15360)	49700 (14570)	47000 (13770)	44200 (12950)	41300 (12100)				
	-20	(-28.9)	47300 (13860)	44800 (13130)	42300 (12400)	39800 (11660)	37200 (10900)	34600 (10140)				
	-25	(-31.7)	40200 (11780)	37900 (11110)	35600 (10430)	33300 (9760)	30900 (9060)	28500 (8350)				
	-30	(-34.4)	33500 (9820)	31400 (9200)	29300 (8590)	27200 (7970)	25100 (7360)	22900 (6710)				
	-35	(-37.2)	27300 (8000)	25400 (7440)	23500 (6890)	21600 (6330)	19700 (5770)	17700 (5190)				
	-40	(-40.0)	21300 (6240)	19600 (5740)	17900 (5250)	16200 (4750)	14500 (4250)	12800 (3750)				
RB1500L8 Compressor Model 4DHNF63KE	0	(-17.8)	114000 (33410)	109200 (32000)	104300 (30570)	99400 (29130)	94400 (27670)	89400 (26200)				
	-5	(-20.6)	100700 (29510)	96400 (28250)	92000 (26960)	87500 (25640)	83000 (24320)	78600 (23040)				
	-10	(-23.3)	88400 (25910)	84500 (24760)	80500 (23590)	76500 (22420)	72500 (21250)	68400 (20050)				
	-15	(-26.1)	76900 (22540)	73400 (21510)	69900 (20490)	66200 (19400)	62600 (18350)	58900 (17260)				
	-20	(-28.9)	66400 (19460)	63300 (18550)	60000 (17580)	56800 (16650)	53400 (15650)	50100 (14680)				
	-25	(-31.7)	56700 (16620)	53900 (15800)	51000 (14950)	48000 (14070)	45000 (13190)	41900 (12280)				
	-30	(-34.4)	47900 (14040)	45300 (13280)	42700 (12510)	39900 (11690)	37100 (10870)	34300 (10050)				
	-35	(-37.2)	39900 (11690)	37500 (10990)	35100 (10290)	32600 (9550)	30000 (8790)	27300 (8000)				
	-40	(-40.0)	32700 (9580)	30500 (8940)	28200 (8260)	25800 (7560)	23400 (6860)	20900 (6130)				
RB2000L8 Compressor Model 4DJNF76KE	0	(-17.8)	146200 (42850)	140300 (41120)	134300 (39360)	128200 (37570)	122000 (35750)	115700 (33910)				
	-5	(-20.6)	127800 (37450)	122300 (35840)	116800 (34230)	111100 (32560)	105300 (30860)	99400 (29130)				
	-10	(-23.3)	111000 (32530)	105900 (31040)	100800 (29540)	95600 (28020)	90200 (26430)	84700 (24820)				
	-15	(-26.1)	95600 (28020)	91000 (26670)	86400 (25320)	81600 (23910)	76700 (22480)	71700 (21010)				
	-20	(-28.9)	81800 (23970)	77700 (22770)	73600 (21570)	69300 (20310)	64900 (19020)	60400 (17700)				
	-25	(-31.7)	69700 (20430)	66100 (19370)	62500 (18320)	58700 (17200)	54800 (16060)	50800 (14890)				
	-30	(-34.4)	59300 (17380)	56300 (16500)	53100 (15560)	49900 (14620)	46500 (13630)	43100 (12630)				
	-35	(-37.2)	50600 (14830)	48200 (14130)	45600 (13360)	42900 (12570)	40100 (11750)	37200 (10900)				
	-40	(-40.0)	43800 (12840)	41900 (12280)	39900 (11690)	37800 (11080)	35600 (10430)	33300 (9760)				
RB2500L8 Compressor Model 6DHNF93KE	0	(-17.8)	175300 (51380)	169000 (49530)	162200 (47540)	154900 (45400)	147000 (43080)	138600 (40620)				
	-5	(-20.6)	150700 (44170)	145000 (42500)	138800 (40680)	132100 (38710)	125000 (36630)	117400 (34410)				
	-10	(-23.3)	130000 (38100)	124800 (36580)	119200 (34930)	113100 (33150)	106500 (31210)	99600 (29190)				
	-15	(-26.1)	112500 (32970)	107700 (31560)	102400 (30010)	96800 (28370)	90800 (26610)	84400 (24740)				
	-20	(-28.9)	97400 (28550)	92800 (27200)	87900 (25760)	82600 (24210)	77000 (22570)	71000 (20810)				
	-25	(-31.7)	83900 (24590)	79500 (23300)	74800 (21920)	69700 (20430)	64400 (18870)	58700 (17200)				
	-30	(-34.4)	71200 (20870)	66800 (19580)	62200 (18230)	57300 (16790)	52200 (15300)	46700 (13690)				
	-35	(-37.2)	58500 (17140)	54100 (15860)	49500 (14510)	44600 (13070)	39500 (11580)	34200 (10020)				
	-40	(-40.0)	45100 (13220)	40500 (11870)	35700 (10460)	30800 (9030)	25700 (7530)	20400 (5980)				
RB3000L8 Compressor Model 6DJNF11ME	0	(-17.8)	209400 (61370)	201400 (59020)	193200 (56620)	184800 (54160)	176000 (51580)	166900 (48910)				
	-5	(-20.6)	183200 (53690)	175900 (51550)	168500 (49380)	160700 (47100)	152600 (44720)	144000 (42200)				
	-10	(-23.3)	159700 (46800)	153100 (44870)	146200 (42850)	139000 (40740)	131400 (38510)	123400 (36160)				
	-15	(-26.1)	138400 (40560)	132400 (38800)	126000 (36930)	119300 (34960)	112200 (32880)	104600 (30660)				
	-20	(-28.9)	119100 (34900)	113500 (33260)	107500 (31510)	101200 (29660)	94500 (27700)	87200 (25560)				
	-25	(-31.7)	101200 (29660)	95900 (28110)	90300 (26460)	84300 (24710)	77900 (22830)	70900 (20780)				
	-30	(-34.4)	84400 (24740)	79400 (23270)	74100 (21720)	68300 (20020)	62000 (18170)	55100 (16150)				
	-35	(-37.2)	68300 (20020)	63500 (18610)	58300 (17090)	52600 (15420)	46400 (13600)	39600 (11610)				
	-40	(-40.0)	52500 (15390)	47800 (14010)	42600 (12480)	37000 (10840)	30700 (9000)	23900 (7000)				

NOTES: - Above ratings are based on mean temperature. - To convert to dew point ratings, use 0.95 multiplier.

CAPACITY DATA - R407C
HIGH / MEDIUM TEMPERATURE
 Application Data calculated at 65°F Return Gas, 0°F Liquid Subcooling

CONDENSING UNIT MODEL	SATURATED SUCTION TEMPERATURE °F °C	CAPACITY BTU/H (WATTS) R407C CONDENSING TEMPERATURE °F (°C)							
		100 (37.8)	105 (40.6)	110 (43.3)	115 (46.1)	120 (48.9)	125 (51.7)		
RB500M8 Compressor Model 2DC3R53KE	45 (7.2)	76000 (22270)	73300 (21480)	70600 (20690)	68000 (19930)	65400 (19170)	62900 (18430)		
	40 (4.4)	67600 (19810)	65100 (19080)	62600 (18350)	60200 (17640)	57800 (16940)	55500 (16270)		
	35 (1.7)	59900 (17550)	57600 (16880)	55300 (16210)	53000 (15530)	50900 (14920)	48800 (14300)		
	30 (-1.1)	52900 (15500)	50700 (14860)	48600 (14240)	46600 (13660)	44600 (13070)	42700 (12510)		
	25 (-3.9)	46500 (13630)	44500 (13040)	42600 (12480)	40700 (11930)	38900 (11400)	37200 (10900)		
	20 (-6.7)	40800 (11960)	39000 (11430)	37200 (10900)	35500 (10400)	33900 (9940)	32300 (9470)		
	15 (-9.4)	35600 (10430)	34000 (9960)	32400 (9500)	30900 (9060)	29400 (8620)	28000 (8210)		
10 (-12.2)	31000 (9090)	29600 (8670)	28200 (8260)	26800 (7850)	25500 (7470)	24300 (7120)			
RB510M8 Compressor Model 2DD3R63KE	45 (7.2)	87700 (25700)	84600 (24790)	81600 (23910)	78600 (23040)	75800 (22210)	73000 (21390)		
	40 (4.4)	78100 (22890)	75300 (22070)	72500 (21250)	69800 (20460)	67100 (19660)	64600 (18930)		
	35 (1.7)	69300 (20310)	66700 (19550)	64100 (18790)	61600 (18050)	59200 (17350)	56900 (16680)		
	30 (-1.1)	61300 (17970)	58900 (17260)	56500 (16560)	54200 (15880)	52000 (15240)	49900 (14620)		
	25 (-3.9)	54000 (15830)	51800 (15180)	49700 (14570)	47600 (13950)	45600 (13360)	43600 (12780)		
	20 (-6.7)	47400 (13890)	45400 (13310)	43500 (12750)	41600 (12190)	39800 (11660)	38100 (11170)		
	15 (-9.4)	41500 (12160)	39700 (11630)	38000 (11140)	36300 (10640)	34800 (10200)	33200 (9730)		
10 (-12.2)	36300 (10640)	34700 (10170)	33200 (9730)	31700 (9290)	30300 (8880)	29000 (8500)			
RB750M8 Compressor Model 2DL3R78KE	45 (7.2)	108700 (31860)	105200 (30830)	101800 (29830)	98300 (28810)	95000 (27840)	91700 (26870)		
	40 (4.4)	97100 (28460)	93800 (27490)	90600 (26550)	87400 (25610)	84300 (24710)	81200 (23800)		
	35 (1.7)	86400 (25320)	83400 (24440)	80400 (23560)	77500 (22710)	74600 (21860)	71800 (21040)		
	30 (-1.1)	76700 (22480)	73900 (21660)	71100 (20840)	68400 (20050)	65800 (19280)	63200 (18520)		
	25 (-3.9)	67800 (19870)	65200 (19110)	62700 (18380)	60300 (17670)	57900 (16970)	55600 (16290)		
	20 (-6.7)	59700 (17500)	57400 (16820)	55200 (16180)	53000 (15530)	50900 (14920)	48800 (14300)		
	15 (-9.4)	52500 (15390)	50500 (14800)	48500 (14210)	46500 (13630)	44700 (13100)	42900 (12570)		
10 (-12.2)	46100 (13510)	44300 (12980)	42600 (12480)	40900 (11990)	39300 (11520)	37800 (11080)			
RB760M8 Compressor Model 3DA3R10ME	45 (7.2)	144600 (42380)	138900 (40710)	133500 (39120)	128200 (37570)	123000 (36050)	118100 (34610)		
	40 (4.4)	130000 (38100)	125000 (36630)	120300 (35260)	115700 (33910)	111200 (32590)	106700 (31270)		
	35 (1.7)	116500 (34140)	112300 (32910)	108100 (31680)	104100 (30510)	100100 (29340)	96100 (28160)		
	30 (-1.1)	104200 (30540)	100500 (29450)	96900 (28400)	93400 (27370)	89800 (26320)	86200 (25260)		
	25 (-3.9)	93000 (27260)	89800 (26320)	86600 (25380)	83400 (24440)	80200 (23500)	76800 (22510)		
	20 (-6.7)	82800 (24270)	80000 (23450)	77100 (22600)	74200 (21750)	71100 (20840)	68000 (19930)		
	15 (-9.4)	73400 (21510)	70900 (20780)	68300 (20020)	65600 (19230)	62700 (18380)	59600 (17470)		
10 (-12.2)	65000 (19050)	62700 (18380)	60200 (17640)	57600 (16880)	54700 (16030)	51600 (15120)			
RB1000M8 Compressor Model 3DB3R12ME	45 (7.2)	169700 (49730)	163400 (47890)	157200 (46070)	151300 (44340)	145500 (42640)	139700 (40940)		
	40 (4.4)	152800 (44780)	147300 (43170)	142000 (41620)	136800 (40090)	131600 (38570)	126500 (37070)		
	35 (1.7)	137300 (40240)	132600 (38860)	128000 (37510)	123400 (36160)	118800 (34820)	114100 (33440)		
	30 (-1.1)	123100 (36080)	119100 (34900)	115000 (33700)	111000 (32530)	106800 (31300)	102600 (30070)		
	25 (-3.9)	110200 (32300)	106700 (31270)	103100 (30220)	99400 (29130)	95700 (28050)	91700 (26870)		
	20 (-6.7)	98400 (28840)	95300 (27930)	92100 (26990)	88700 (26000)	85200 (24970)	81400 (23860)		
	15 (-9.4)	87600 (25670)	84900 (24880)	81900 (24000)	78800 (23090)	75400 (22100)	71600 (20980)		
10 (-12.2)	77900 (22830)	75300 (22070)	72500 (21250)	69500 (20370)	66100 (19370)	62300 (18260)			
RB1500M8 Compressor Model 3DS3R17ME	45 (7.2)	226200 (66290)	217100 (63630)	208500 (61110)	200200 (58670)	192200 (56330)	184500 (54070)		
	40 (4.4)	203400 (59610)	195600 (57320)	188200 (55160)	181000 (53050)	174100 (51020)	167300 (49030)		
	35 (1.7)	182500 (53490)	175900 (51550)	169500 (49680)	163300 (47860)	157200 (46070)	151300 (44340)		
	30 (-1.1)	163500 (47920)	157800 (46250)	152300 (44630)	146900 (43050)	141600 (41500)	136300 (39950)		
	25 (-3.9)	146100 (42820)	141300 (41410)	136500 (40000)	131800 (38630)	127000 (37220)	122200 (35810)		
	20 (-6.7)	130300 (38190)	126100 (36960)	121900 (35730)	117700 (34490)	113400 (33230)	108900 (31920)		
	15 (-9.4)	115900 (33970)	112200 (32880)	108500 (31800)	104600 (30660)	100600 (29480)	96300 (28220)		
10 (-12.2)	102800 (30130)	99500 (29160)	96000 (28130)	92400 (27080)	88400 (25910)	84200 (24680)			
RB2500M8 Compressor Model 4DHN22ME	45 (7.2)	350400 (102690)	331200 (97060)	312300 (91530)	293900 (86130)	276000 (80890)	258700 (75820)		
	40 (4.4)	310200 (90910)	293800 (86100)	277700 (81390)	262000 (76780)	246800 (72330)	232100 (68020)		
	35 (1.7)	273900 (80270)	260000 (76200)	246400 (72210)	233100 (68310)	220300 (64560)	208000 (60960)		
	30 (-1.1)	241300 (70720)	229700 (67320)	218300 (63980)	207100 (60690)	196400 (57560)	186100 (54540)		
	25 (-3.9)	212200 (62190)	202600 (59380)	193000 (56560)	183700 (53840)	174700 (51200)	166200 (48710)		
	20 (-6.7)	186400 (54630)	178300 (52250)	170300 (49910)	162600 (47650)	155100 (45460)	148100 (43400)		
	15 (-9.4)	163400 (47890)	156700 (45920)	150000 (43960)	143500 (42060)	137200 (40210)	131400 (38510)		
10 (-12.2)	143200 (41970)	137500 (40300)	131800 (38630)	126300 (37010)	120900 (35430)	115900 (33970)			

NOTES: - Above ratings are based on mean temperature. - To convert to dew point ratings, use 0.95 multiplier.

table continues on next page >>>

RB

CAPACITY DATA - **R407C**

HIGH / MEDIUM TEMPERATURE (cont'd)

60Hz

Application Data calculated at 65°F Return Gas, 0°F Liquid Subcooling

CONDENSING UNIT MODEL	SATURATED SUCTION TEMPERATURE		CAPACITY BTU/H (WATTS) R407C						CONDENSING TEMPERATURE °F (°C)					
	°F	°C	100 (37.8)	105 (40.6)	110 (43.3)	115 (46.1)	120 (48.9)	125 (51.7)	100 (37.8)	105 (40.6)	110 (43.3)	115 (46.1)	120 (48.9)	125 (51.7)
RB3000M8 Compressor Model 4DJNR28ME	45 (7.2)		411600 (120630)	389000 (114000)	367100 (107590)	345900 (101370)	325400 (95360)	305700 (89590)						
	40 (4.4)		362500 (106240)	343300 (100610)	324800 (95190)	306900 (89940)	289600 (84870)	273000 (80010)						
	35 (1.7)		319100 (93520)	303000 (88800)	287500 (84260)	272500 (79860)	258100 (75640)	244300 (71600)						
	30 (-1.1)		280900 (82320)	267500 (78400)	254600 (74620)	242200 (70980)	230300 (67490)	219000 (64180)						
	25 (-3.9)		247300 (72480)	236200 (69220)	225600 (66120)	215400 (63130)	205700 (60280)	196400 (57560)						
	20 (-6.7)		217800 (63830)	208800 (61190)	200000 (58610)	191700 (56180)	183800 (53870)	176200 (51640)						
	15 (-9.4)		192000 (56270)	184500 (54070)	177300 (51960)	170500 (49970)	163900 (48030)	157800 (46250)						
10 (-12.2)		169100 (49560)	162900 (47740)	156900 (45980)	151200 (44310)	145700 (42700)	140600 (41210)							
RB3500M8 Compressor Model 6DHNR35ME	45 (7.2)		475700 (139410)	457100 (133960)	438300 (128450)	419400 (122910)	400300 (117320)	381000 (111660)						
	40 (4.4)		418900 (122770)	402900 (118080)	386800 (113360)	370500 (108580)	354000 (103750)	337200 (98820)						
	35 (1.7)		369600 (108320)	356000 (104330)	342200 (100290)	328200 (96190)	313900 (91990)	299300 (87720)						
	30 (-1.1)		326900 (95800)	315400 (92430)	303500 (88950)	291500 (85430)	279100 (81800)	266500 (78100)						
	25 (-3.9)		289900 (84960)	280100 (82090)	270000 (79130)	259500 (76050)	248800 (72920)	237700 (69660)						
	20 (-6.7)		257700 (75520)	249200 (73030)	240500 (70480)	231400 (67820)	221900 (65030)	212100 (62160)						
	15 (-9.4)		229300 (67200)	222000 (65060)	214200 (62780)	206200 (60430)	197700 (57940)	188800 (55330)						
10 (-12.2)		203900 (59760)	197300 (57820)	190300 (55770)	182900 (53600)	175100 (51320)	166800 (48880)							
RB4000M8 Compressor Model 6DJNR40ME	45 (7.2)		649100 (190230)	627300 (183840)	600900 (176110)	570300 (167140)	535900 (157060)	498200 (146010)						
	40 (4.4)		560200 (164180)	539500 (158110)	514900 (150900)	486600 (142610)	455300 (133430)	421200 (123440)						
	35 (1.7)		485100 (142170)	465700 (136480)	442800 (129770)	417100 (122240)	388800 (113950)	358500 (105070)						
	30 (-1.1)		422100 (123700)	403900 (118370)	383000 (112250)	359800 (105450)	334600 (98060)	308100 (90290)						
	25 (-3.9)		369300 (108230)	352500 (103310)	333500 (97740)	312900 (91700)	290900 (85250)	268200 (78600)						
	20 (-6.7)		324900 (95220)	309500 (90710)	292500 (85720)	274500 (80450)	255900 (75000)	237000 (69460)						
	15 (-9.4)		287100 (84140)	273100 (80040)	258200 (75670)	242900 (71190)	227600 (66700)	212600 (62310)						
10 (-12.2)		254000 (74440)	241500 (70780)	228800 (67050)	216200 (63360)	204300 (59870)	193300 (56650)							

NOTES: - Above ratings are based on mean temperature. - To convert to dew point ratings, use 0.95 multiplier.

RB

CAPACITY DATA - **R404A R507**

HIGH / MEDIUM TEMPERATURE

60Hz

Application Data calculated at 65°F Return Gas, 0°F Liquid Subcooling

CONDENSING UNIT MODEL	SATURATED SUCTION TEMPERATURE		CAPACITY BTU/H (WATTS) R404A R507						CONDENSING TEMPERATURE °F (°C)					
	°F	°C	100 (37.8)	105 (40.6)	110 (43.3)	115 (46.1)	120 (48.9)	125 (51.7)	100 (37.8)	105 (40.6)	110 (43.3)	115 (46.1)	120 (48.9)	125 (51.7)
RB100M6 Compressor Model KARB-010E	25 (-3.9)		10400 (3050)	9900 (2900)	9300 (2730)	8800 (2580)	8300 (2430)	7700 (2260)						
	20 (-6.7)		9500 (2780)	9000 (2640)	8500 (2490)	8000 (2340)	7500 (2200)	7000 (2050)						
	15 (-9.4)		8500 (2490)	8100 (2370)	7600 (2230)	7200 (2110)	6700 (1960)	6300 (1850)						
	10 (-12.2)		7600 (2230)	7200 (2110)	6800 (1990)	6400 (1880)	5900 (1730)	5500 (1610)						
	5 (-15.0)		6700 (1960)	6300 (1850)	6000 (1760)	5600 (1640)	5200 (1520)	4800 (1410)						
	0 (-17.8)		5900 (1730)	5500 (1610)	5200 (1520)	4900 (1440)	4500 (1320)	4200 (1230)						
-5 (-20.6)		25130 (7358)	23920 (7004)	22730 (6655)	21530 (6304)	20350 (5958)	19170 (5613)							
RB200M6 Compressor Model KAKB-021E	25 (-3.9)		17600 (5160)	16700 (4890)	15800 (4630)	14900 (4370)	14000 (4100)	13100 (3840)						
	20 (-6.7)		15600 (4570)	14800 (4340)	14000 (4100)	13200 (3870)	12400 (3630)	11600 (3400)						
	15 (-9.4)		14000 (4100)	13200 (3870)	12500 (3660)	11800 (3460)	11100 (3250)	10300 (3020)						
	10 (-12.2)		12500 (3660)	11800 (3460)	11200 (3280)	10600 (3110)	9900 (2900)	9300 (2730)						
	5 (-15.0)		11200 (3280)	10600 (3110)	10000 (2930)	9500 (2780)	8900 (2610)	8300 (2430)						
	0 (-17.8)		9900 (2900)	9400 (2750)	8900 (2610)	8400 (2460)	7900 (2320)	7400 (2170)						
-5 (-20.6)		30020 (8790)	28630 (8383)	27250 (7979)	25900 (7584)	24570 (7194)	23260 (6811)							
RB210M6 Compressor Model ERCA-021E	25 (-3.9)		22000 (6450)	20800 (6100)	19500 (5710)	18300 (5360)	17100 (5010)	15900 (4660)						
	20 (-6.7)		19600 (5740)	18500 (5420)	17400 (5100)	16300 (4780)	15200 (4450)	14100 (4130)						
	15 (-9.4)		17400 (5100)	16400 (4810)	15400 (4510)	14400 (4220)	13400 (3930)	12400 (3630)						
	10 (-12.2)		15500 (4540)	14600 (4280)	13600 (3990)	12700 (3720)	11800 (3460)	10900 (3190)						
	5 (-15.0)		13700 (4020)	12800 (3750)	12000 (3520)	11200 (3280)	10400 (3050)	9600 (2810)						
	0 (-17.8)		11900 (3490)	11200 (3280)	10500 (3080)	9700 (2840)	9000 (2640)	8300 (2430)						
-5 (-20.6)		36610 (10719)	34970 (10239)	33350 (9765)	31730 (9291)	30120 (8819)	28510 (8348)							



CAPACITY DATA - R404A R507

60Hz

HIGH / MEDIUM TEMPERATURE

Application Data calculated at 65°F Return Gas, 0°F Liquid Subcooling

CONDENSING UNIT MODEL	SATURATED SUCTION TEMPERATURE		CAPACITY BTU/H (WATTS) R404A R507											
	°F	°C	100 (37.8)		105 (40.6)		110 (43.3)		115 (46.1)		120 (48.9)		125 (51.7)	
RB300M8 Compressor Model ERFB-031E	40	(4.4)	-	-	-	-	-	-	-	-	-	-	-	-
	35	(1.7)	-	-	-	-	-	-	-	-	-	-	-	-
	30	(-1.1)	-	-	-	-	-	-	-	-	-	-	-	-
	25	(-3.9)	31500	(9230)	30000	(8790)	28400	(8320)	26700	(7820)	25100	(7360)	23400	(6860)
	20	(-6.7)	28200	(8260)	26700	(7820)	25300	(7410)	23800	(6980)	22300	(6540)	20800	(6100)
	15	(-9.4)	25100	(7360)	23800	(6980)	22500	(6590)	21100	(6180)	19800	(5800)	18400	(5390)
	10	(-12.2)	22300	(6540)	21100	(6180)	19900	(5830)	18700	(5480)	17500	(5130)	16300	(4780)
	5	(-15.0)	19700	(5770)	18600	(5450)	17600	(5160)	16500	(4840)	15300	(4480)	14200	(4160)
0	(-17.8)	17400	(5100)	16400	(4810)	15400	(4510)	14400	(4220)	13400	(3930)	12400	(3630)	
RB500M8 Compressor Model 2DC3R53KE	40	(4.4)	68400	(20050)	64800	(18990)	61200	(17940)	57700	(16910)	54200	(15880)	50800	(14890)
	35	(1.7)	61500	(18020)	58300	(17090)	55000	(16120)	51900	(15210)	48700	(14270)	45600	(13360)
	30	(-1.1)	55100	(16150)	52200	(15300)	49300	(14450)	46500	(13630)	43600	(12780)	40900	(11990)
	25	(-3.9)	49200	(14420)	46600	(13660)	44000	(12900)	41400	(12130)	38900	(11400)	36400	(10670)
	20	(-6.7)	43700	(12810)	41400	(12130)	39100	(11460)	36800	(10780)	34600	(10140)	32400	(9500)
	15	(-9.4)	38700	(11340)	36600	(10730)	34600	(10140)	32600	(9550)	30600	(8970)	28600	(8380)
	10	(-12.2)	34100	(9990)	32300	(9470)	30500	(8940)	28700	(8410)	27000	(7910)	25200	(7390)
	5	(-15.0)	29900	(8760)	28400	(8320)	26800	(7850)	25200	(7390)	23700	(6950)	22100	(6480)
0	(-17.8)	26200	(7680)	24800	(7270)	23400	(6860)	22100	(6480)	20700	(6070)	19300	(5660)	
RB510M8 Compressor Model 2DD3R63KE	40	(4.4)	81100	(23770)	77200	(22630)	73200	(21450)	69200	(20280)	65200	(19110)	61100	(17910)
	35	(1.7)	73200	(21450)	69600	(20400)	66000	(19340)	62400	(18290)	58700	(17200)	55000	(16120)
	30	(-1.1)	65800	(19280)	62500	(18320)	59300	(17380)	56000	(16410)	52700	(15440)	49400	(14480)
	25	(-3.9)	58900	(17260)	55900	(16380)	53000	(15530)	50100	(14680)	47100	(13800)	44100	(12920)
	20	(-6.7)	52400	(15360)	49800	(14590)	47200	(13830)	44600	(13070)	41900	(12280)	39300	(11520)
	15	(-9.4)	46500	(13630)	44200	(12950)	41900	(12280)	39500	(11580)	37200	(10900)	34800	(10200)
	10	(-12.2)	41100	(12050)	39000	(11430)	37000	(10840)	34900	(10230)	32800	(9610)	30800	(9030)
	5	(-15.0)	36200	(10610)	34400	(10080)	32500	(9520)	30700	(9000)	28900	(8470)	27100	(7940)
0	(-17.8)	31800	(9320)	30200	(8850)	28600	(8380)	27000	(7910)	25400	(7440)	23900	(7000)	
RB750M8 Compressor Model 2DL3R78KE	40	(4.4)	98800	(28960)	94000	(27550)	89200	(26140)	84400	(24740)	79700	(23360)	74900	(21950)
	35	(1.7)	89100	(26110)	84800	(24850)	80400	(23560)	76100	(22300)	71900	(21070)	67600	(19810)
	30	(-1.1)	80100	(23470)	76200	(22330)	72300	(21190)	68500	(20080)	64600	(18930)	60800	(17820)
	25	(-3.9)	71800	(21040)	68300	(20020)	64800	(18990)	61400	(17990)	58000	(17000)	54500	(15970)
	20	(-6.7)	64100	(18790)	61000	(17880)	57900	(16970)	54900	(16090)	51800	(15180)	48700	(14270)
	15	(-9.4)	57100	(16730)	54300	(15910)	51600	(15120)	48900	(14330)	46200	(13540)	43400	(12720)
	10	(-12.2)	50700	(14860)	48200	(14130)	45800	(13420)	43400	(12720)	41000	(12020)	38600	(11310)
	5	(-15.0)	44800	(13130)	42700	(12510)	40500	(11870)	38400	(11250)	36300	(10640)	34200	(10020)
0	(-17.8)	39600	(11610)	37700	(11050)	35800	(10490)	33900	(9940)	32000	(9380)	30100	(8820)	
RB760M8 Compressor Model 3DA3R10ME	40	(4.4)	132900	(38950)	126000	(36930)	119300	(34960)	113000	(33120)	106800	(31300)	100800	(29540)
	35	(1.7)	120000	(35170)	113800	(33350)	107900	(31620)	102300	(29980)	96800	(28370)	91500	(26820)
	30	(-1.1)	108000	(31650)	102600	(30070)	97400	(28550)	92400	(27080)	87600	(25670)	82900	(24300)
	25	(-3.9)	97000	(28430)	92200	(27020)	87700	(25700)	83300	(24410)	79100	(23180)	74900	(21950)
	20	(-6.7)	86900	(25470)	82700	(24240)	78700	(23060)	74900	(21950)	71200	(20870)	67500	(19780)
	15	(-9.4)	77600	(22740)	74000	(21690)	70500	(20660)	67200	(19690)	64000	(18760)	60700	(17790)
	10	(-12.2)	69100	(20250)	66000	(19340)	63000	(18460)	60100	(17610)	57300	(16790)	54400	(15940)
	5	(-15.0)	61400	(17990)	58700	(17200)	56200	(16470)	53700	(15740)	51200	(15010)	48600	(14240)
0	(-17.8)	54400	(15940)	52100	(15270)	49900	(14620)	47700	(13980)	45500	(13330)	43200	(12660)	
RB1000M8 Compressor Model 3DB3R12ME	40	(4.4)	156000	(45720)	148700	(43580)	141300	(41410)	134100	(39300)	126800	(37160)	119600	(35050)
	35	(1.7)	141100	(41350)	134500	(39420)	128000	(37510)	121500	(35610)	114900	(33670)	108400	(31770)
	30	(-1.1)	127400	(37340)	121600	(35640)	115700	(33910)	109900	(32210)	104000	(30480)	98200	(28780)
	25	(-3.9)	114800	(33640)	109600	(32120)	104400	(30600)	99200	(29070)	94000	(27550)	88800	(26020)
	20	(-6.7)	103300	(30270)	98600	(28900)	94000	(27550)	89400	(26200)	84800	(24850)	80100	(23470)
	15	(-9.4)	92700	(27170)	88600	(25970)	84500	(24760)	80400	(23560)	76300	(22360)	72100	(21130)
	10	(-12.2)	83000	(24320)	79300	(23240)	75700	(22190)	72100	(21130)	68400	(20050)	64700	(18960)
	5	(-15.0)	74000	(21690)	70800	(20750)	67600	(19810)	64400	(18870)	61100	(17910)	57800	(16940)
0	(-17.8)	65900	(19310)	63000	(18460)	60100	(17610)	57300	(16790)	54400	(15940)	51400	(15060)	

- Outside Operating Range

CAPACITY DATA - R404A R507
HIGH / MEDIUM TEMPERATURE (cont'd)
 Application Data calculated at 65°F Return Gas, 0°F Liquid Subcooling

CONDENSING UNIT MODEL	SATURATED SUCTION TEMPERATURE °F °C	CAPACITY BTU/H (WATTS) R404A R507 CONDENSING TEMPERATURE °F (°C)									
		100 (37.8)	105 (40.6)	110 (43.3)	115 (46.1)	120 (48.9)	125 (51.7)				
RB1500M8 Compressor Model 3DS3R17ME	40 (4.4)	215100 (63040)	204700 (59990)	194300 (56940)	184000 (53920)	173800 (50940)	163700 (47980)				
	35 (1.7)	194500 (57000)	185100 (54250)	175800 (51520)	166600 (48830)	157500 (46160)	148400 (43490)				
	30 (-1.1)	175500 (51430)	167100 (48970)	158800 (46540)	150600 (44140)	142400 (41730)	134300 (39360)				
	25 (-3.9)	158000 (46310)	150500 (44110)	143100 (41940)	135800 (39800)	128600 (37690)	121300 (35550)				
	20 (-6.7)	141900 (41590)	135300 (39650)	128800 (37750)	122300 (35840)	115800 (33940)	109400 (32060)				
	15 (-9.4)	127200 (37280)	121400 (35580)	115600 (33880)	109900 (32210)	104200 (30540)	98500 (28870)				
	10 (-12.2)	113800 (33350)	108600 (31830)	103500 (30330)	98500 (28870)	93400 (27370)	88400 (25910)				
	5 (-15.0)	101500 (29750)	97000 (28430)	92500 (27110)	88000 (25790)	83500 (24470)	79100 (23180)				
	0 (-17.8)	90300 (26460)	86300 (25290)	82300 (24120)	78400 (22980)	74400 (21800)	70500 (20660)				
RB2500M8 Compressor Model 4DHNR22ME	40 (4.4)	287500 (84260)	273000 (80010)	258800 (75850)	245000 (71800)	231500 (67850)	218200 (63950)				
	35 (1.7)	262600 (76960)	249300 (73060)	236400 (69280)	223800 (65590)	211500 (61980)	199400 (58440)				
	30 (-1.1)	238600 (69930)	226500 (66380)	214800 (62950)	203300 (59580)	192100 (56300)	181100 (53070)				
	25 (-3.9)	215500 (63160)	204600 (59960)	194000 (56860)	183600 (53810)	173500 (50850)	163500 (47920)				
	20 (-6.7)	193700 (56770)	183800 (53870)	174300 (51080)	164900 (48330)	155800 (45660)	146700 (42990)				
	15 (-9.4)	173100 (50730)	164300 (48150)	155800 (45660)	147400 (43200)	139100 (40770)	131000 (38390)				
	10 (-12.2)	154000 (45130)	146200 (42850)	138600 (40620)	131100 (38420)	123700 (36250)	116400 (34110)				
	5 (-15.0)	136600 (40030)	129700 (38010)	122900 (36020)	116200 (34050)	109700 (32150)	103100 (30220)				
	0 (-17.8)	121000 (35460)	114900 (33670)	108900 (31920)	103000 (30190)	97200 (28490)	91300 (26760)				
RB3000M8 Compressor Model 4DJNR28ME	40 (4.4)	351200 (102930)	334000 (97890)	316900 (92870)	299800 (87860)	282800 (82880)	265700 (77870)				
	35 (1.7)	318300 (93280)	302700 (88710)	287100 (84140)	271600 (79600)	256000 (75030)	240500 (70480)				
	30 (-1.1)	287600 (84290)	273400 (80130)	259300 (75990)	245200 (71860)	231100 (67730)	217000 (63600)				
	25 (-3.9)	259000 (75910)	246100 (72120)	233400 (68400)	220600 (64650)	207900 (60930)	195200 (57210)				
	20 (-6.7)	232300 (68080)	220800 (64710)	209300 (61340)	197800 (57970)	186500 (54660)	175100 (51320)				
	15 (-9.4)	207600 (60840)	197300 (57820)	187000 (54800)	176800 (51810)	166600 (48830)	156500 (45870)				
	10 (-12.2)	184800 (54160)	175600 (51460)	166500 (48800)	157400 (46130)	148400 (43490)	139400 (40850)				
	5 (-15.0)	163900 (48030)	155700 (45630)	147600 (43260)	139600 (40910)	131700 (38600)	123800 (36280)				
	0 (-17.8)	144700 (42410)	137500 (40300)	130400 (38220)	123400 (36160)	116500 (34140)	109600 (32120)				
RB3500M8 Compressor Model 6DHNR35ME	40 (4.4)	442800 (129770)	422200 (123730)	401400 (117640)	380400 (111480)	359100 (105240)	337500 (98910)				
	35 (1.7)	400000 (117230)	381400 (111780)	362500 (106240)	343500 (100670)	324300 (95040)	304800 (89330)				
	30 (-1.1)	360500 (105650)	343700 (100730)	326700 (95750)	309600 (90730)	292300 (85660)	274700 (80510)				
	25 (-3.9)	324200 (95010)	309100 (90590)	293800 (86100)	278400 (81590)	262900 (77050)	247100 (72420)				
	20 (-6.7)	291000 (85280)	277400 (81300)	263600 (77250)	249800 (73210)	235800 (69110)	221700 (64970)				
	15 (-9.4)	260500 (76340)	248300 (72770)	236000 (69160)	223600 (65530)	211100 (61870)	198400 (58150)				
	10 (-12.2)	232700 (68200)	221700 (64970)	210600 (61720)	199500 (58470)	188300 (55190)	177000 (51870)				
	5 (-15.0)	207300 (60750)	197400 (57850)	187400 (54920)	177400 (51990)	167400 (49060)	157300 (46100)				
	0 (-17.8)	184200 (53980)	175200 (51350)	166200 (48710)	157200 (46070)	148100 (43400)	139000 (40740)				
RB4000M8 Compressor Model 6DJNR40ME	40 (4.4)	505600 (148180)	482800 (141490)	460100 (134840)	437200 (128130)	414200 (121390)	390700 (114500)				
	35 (1.7)	460400 (134930)	439500 (128800)	418700 (122710)	397900 (116610)	376800 (110430)	355300 (104130)				
	30 (-1.1)	417900 (122470)	398900 (116910)	379900 (111340)	360900 (105770)	341700 (100140)	322200 (94430)				
	25 (-3.9)	378200 (110840)	360900 (105770)	343600 (100700)	326400 (95660)	309000 (90560)	291200 (85340)				
	20 (-6.7)	341100 (99970)	325400 (95360)	309800 (90790)	294200 (86220)	278400 (81590)	262400 (76900)				
	15 (-9.4)	306700 (89880)	292400 (85690)	278300 (81560)	264300 (77460)	250100 (73300)	235600 (69050)				
	10 (-12.2)	274700 (80510)	261900 (76760)	249200 (73030)	236600 (69340)	223800 (65590)	210800 (61780)				
	5 (-15.0)	245300 (71890)	233700 (68490)	222400 (65180)	211100 (61870)	199700 (58530)	188100 (55130)				
	0 (-17.8)	218400 (64010)	208000 (60960)	197800 (57970)	187700 (55010)	177500 (52020)	167200 (49000)				

LOW TEMPERATURE

Application Data calculated at 65°F Return Gas, 0°F Liquid Subcooling

CONDENSING UNIT MODEL	SATURATED SUCTION TEMPERATURE		CAPACITY BTU/H (WATTS) R404A R507 CONDENSING TEMPERATURE °F (°C)									
	° F	° C	100 (37.8)	105 (40.6)	110 (43.3)	115 (46.1)	120 (48.9)	125 (51.7)				
RB050L6 Compressor Model KANB-005E	0	(-17.8)	4020 (1180)	3740 (1100)	3470 (1020)	3200 (940)	2930 (860)	2650 (780)				
	-5	(-20.6)	3470 (1020)	3220 (940)	2990 (880)	2750 (810)	2500 (730)	2250 (660)				
	-10	(-23.3)	2960 (870)	2750 (810)	2540 (740)	2330 (680)	2110 (620)	1880 (550)				
	-15	(-26.1)	2500 (730)	2310 (680)	2130 (620)	1940 (570)	1740 (510)	1540 (450)				
	-20	(-28.9)	2080 (610)	1910 (560)	1750 (510)	1580 (460)	1410 (410)	1220 (360)				
	-25	(-31.7)	1700 (500)	1560 (460)	1410 (410)	1260 (370)	1100 (320)	920 (270)				
	-30	(-34.4)	1370 (400)	1240 (360)	1110 (330)	970 (280)	820 (240)	660 (190)				
	-35	(-37.2)	1080 (320)	960 (280)	840 (250)	710 (210)	570 (170)	410 (120)				
-40	(-40.0)	840 (250)	730 (210)	610 (180)	490 (140)	350 (100)	200 (60)					
RB075L6 Compressor Model KAMB-007E	0	(-17.8)	6270 (1840)	5940 (1740)	5610 (1640)	5280 (1550)	4940 (1450)	4570 (1340)				
	-5	(-20.6)	5520 (1620)	5230 (1530)	4940 (1450)	4640 (1360)	4320 (1270)	3980 (1170)				
	-10	(-23.3)	4810 (1410)	4550 (1330)	4280 (1250)	4010 (1180)	3720 (1090)	3400 (1000)				
	-15	(-26.1)	4140 (1210)	3910 (1150)	3670 (1080)	3420 (1000)	3150 (920)	2850 (840)				
	-20	(-28.9)	3530 (1030)	3320 (970)	3110 (910)	2880 (840)	2630 (770)	2340 (690)				
	-25	(-31.7)	2990 (880)	2800 (820)	2610 (760)	2390 (700)	2150 (630)	1880 (550)				
	-30	(-34.4)	2530 (740)	2360 (690)	2180 (640)	1970 (580)	1740 (510)	1480 (430)				
	-35	(-37.2)	2160 (630)	2000 (590)	1830 (540)	1640 (480)	1410 (410)	1150 (340)				
-40	(-40.0)	1900 (560)	1750 (510)	1580 (460)	1390 (410)	1170 (340)	900 (260)					
RB100L6 Compressor Model KAJB-010E	0	(-17.8)	8070 (2370)	7590 (2220)	7110 (2080)	6630 (1940)	6150 (1800)	5670 (1660)				
	-5	(-20.6)	7070 (2070)	6640 (1950)	6210 (1820)	5790 (1700)	5360 (1570)	4940 (1450)				
	-10	(-23.3)	6160 (1810)	5780 (1690)	5410 (1590)	5030 (1470)	4650 (1360)	4270 (1250)				
	-15	(-26.1)	5350 (1570)	5010 (1470)	4680 (1370)	4350 (1270)	4010 (1180)	3670 (1080)				
	-20	(-28.9)	4610 (1350)	4320 (1270)	4030 (1180)	3730 (1090)	3430 (1010)	3120 (910)				
	-25	(-31.7)	3950 (1160)	3690 (1080)	3430 (1010)	3160 (930)	2900 (850)	2620 (770)				
	-30	(-34.4)	3350 (980)	3120 (910)	2880 (840)	2640 (770)	2400 (700)	2140 (630)				
	-35	(-37.2)	2800 (820)	2590 (760)	2380 (700)	2160 (630)	1930 (570)	1690 (500)				
-40	(-40.0)	2300 (670)	2100 (620)	1900 (560)	1690 (500)	1480 (430)	1250 (370)					
RB150L6 Compressor Model KALB-015E	0	(-17.8)	11700 (3430)	11000 (3220)	10300 (3020)	9640 (2830)	8970 (2630)	8310 (2440)				
	-5	(-20.6)	10300 (3020)	9690 (2840)	9090 (2660)	8500 (2490)	7900 (2320)	7300 (2140)				
	-10	(-23.3)	9030 (2650)	8520 (2500)	7990 (2340)	7460 (2190)	6930 (2030)	6380 (1870)				
	-15	(-26.1)	7920 (2320)	7460 (2190)	6990 (2050)	6510 (1910)	6020 (1760)	5530 (1620)				
	-20	(-28.9)	6900 (2020)	6490 (1900)	6070 (1780)	5630 (1650)	5170 (1520)	4700 (1380)				
	-25	(-31.7)	5950 (1740)	5580 (1640)	5190 (1520)	4780 (1400)	4350 (1270)	3900 (1140)				
	-30	(-34.4)	5060 (1480)	4710 (1380)	4340 (1270)	3940 (1150)	3520 (1030)	3080 (900)				
	-35	(-37.2)	4190 (1230)	3860 (1130)	3490 (1020)	3100 (910)	2670 (780)	2230 (650)				
-40	(-40.0)	3330 (980)	2990 (880)	2620 (770)	2220 (650)	1780 (520)	1310 (380)					
RB200L6 Compressor Model EAVB-021E	0	(-17.8)	16500 (4840)	15500 (4540)	14600 (4280)	13600 (3990)	12600 (3690)	11700 (3430)				
	-5	(-20.6)	14400 (4220)	13500 (3960)	12700 (3720)	11800 (3460)	11000 (3220)	10100 (2960)				
	-10	(-23.3)	12500 (3660)	11700 (3430)	10900 (3190)	10100 (2960)	9390 (2750)	8690 (2550)				
	-15	(-26.1)	10700 (3140)	10000 (2930)	9260 (2710)	8600 (2520)	7970 (2340)	7370 (2160)				
	-20	(-28.9)	9010 (2640)	8380 (2460)	7780 (2280)	7210 (2110)	6680 (1960)	6180 (1810)				
	-25	(-31.7)	7520 (2200)	6970 (2040)	6450 (1890)	5970 (1750)	5530 (1620)	5140 (1510)				
	-30	(-34.4)	6200 (1820)	5730 (1680)	5290 (1550)	4900 (1440)	4550 (1330)	4250 (1250)				
	-35	(-37.2)	5070 (1490)	4670 (1370)	4310 (1260)	3990 (1170)	3730 (1090)	3530 (1030)				
-40	(-40.0)	4130 (1210)	3790 (1110)	3510 (1030)	3270 (960)	3090 (910)	2980 (870)					
RB300L6 Compressor Model LAHB-032E	0	(-17.8)	26600 (7800)	25100 (7360)	23600 (6920)	22000 (6450)	20500 (6010)	18900 (5540)				
	-5	(-20.6)	23300 (6830)	21900 (6420)	20500 (6010)	19100 (5600)	17600 (5160)	16200 (4750)				
	-10	(-23.3)	20100 (5890)	18900 (5540)	17600 (5160)	16300 (4780)	15000 (4400)	13600 (3990)				
	-15	(-26.1)	17300 (5070)	16100 (4720)	14900 (4370)	13800 (4040)	12500 (3660)	11300 (3310)				
	-20	(-28.9)	14600 (4280)	13600 (3990)	12500 (3660)	11400 (3340)	10300 (3020)	9140 (2680)				
	-25	(-31.7)	12200 (3580)	11200 (3280)	10300 (3020)	9300 (2730)	8280 (2430)	7210 (2110)				
	-30	(-34.4)	10000 (2930)	9130 (2680)	8290 (2430)	7400 (2170)	6480 (1900)	5490 (1610)				
	-35	(-37.2)	8000 (2340)	7280 (2130)	6530 (1910)	5740 (1680)	4900 (1440)	3990 (1170)				
-40	(-40.0)	6290 (1840)	5660 (1660)	5000 (1470)	4300 (1260)	3550 (1040)	2720 (800)					

LOW TEMPERATURE (cont'd)

Application Data calculated at 65°F Return Gas, 0°F Liquid Subcooling

CONDENSING UNIT MODEL	SATURATED SUCTION TEMPERATURE		CAPACITY BTU/H (WATTS) R404A R507									
	° F	° C	100 (37.8)	105 (40.6)	110 (43.3)	115 (46.1)	120 (48.9)	125 (51.7)	130 (54.4)	135 (57.2)	140 (59.9)	145 (62.6)
RB350L6 Compressor Model 2DF3F16KE	0	(-17.8)	34700 (10170)	32800 (9610)	31000 (9090)	29200 (8560)	27500 (8060)	25700 (7530)	24000 (7030)	22300 (6530)	20700 (6030)	19100 (5530)
	-5	(-20.6)	30500 (8940)	28900 (8470)	27300 (8000)	25700 (7530)	24200 (7090)	22700 (6650)	21200 (6210)	19800 (5780)	18400 (5340)	17000 (4900)
	-10	(-23.3)	26700 (7820)	25300 (7410)	23900 (7000)	22500 (6590)	21200 (6210)	19800 (5800)	18400 (5390)	17100 (5010)	15800 (4620)	14500 (4250)
	-15	(-26.1)	23300 (6830)	22000 (6450)	20800 (6100)	19600 (5740)	18400 (5390)	17100 (5010)	15800 (4630)	14600 (4280)	13400 (3930)	12300 (3600)
	-20	(-28.9)	20100 (5890)	19000 (5570)	18000 (5280)	16900 (4950)	15800 (4630)	14600 (4280)	13400 (3930)	12300 (3600)	11200 (3270)	10100 (2940)
	-25	(-31.7)	17300 (5070)	16300 (4780)	15400 (4510)	14400 (4220)	13400 (3930)	12300 (3600)	11200 (3270)	10100 (2940)	9000 (2610)	7900 (2280)
	-30	(-34.4)	14800 (4340)	13900 (4070)	13000 (3810)	12100 (3550)	11100 (3250)	10100 (2960)	9000 (2610)	7900 (2320)	6800 (1970)	5700 (1620)
	-35	(-37.2)	12500 (3660)	11600 (3400)	10800 (3170)	9900 (2900)	8900 (2610)	7900 (2320)	6800 (2020)	5700 (1730)	4600 (1380)	3500 (1030)
	-40	(-40.0)	10400 (3050)	9600 (2810)	8700 (2550)	7800 (2290)	6900 (2020)	5900 (1730)	4800 (1440)	3700 (1150)	2600 (860)	1500 (570)
RB400L6 Compressor Model 2DL3F20KE	0	(-17.8)	41200 (12070)	39200 (11490)	37100 (10870)	35100 (10290)	33000 (9670)	31000 (9090)	29100 (8530)	27300 (8000)	25500 (7470)	23900 (7000)
	-5	(-20.6)	36400 (10670)	34600 (10140)	32800 (9610)	30900 (9060)	29100 (8530)	27300 (8000)	25500 (7470)	23900 (7000)	22200 (6510)	20700 (6070)
	-10	(-23.3)	32000 (9380)	30400 (8910)	28800 (8440)	27100 (7940)	25500 (7470)	23900 (7000)	22200 (6510)	20700 (6070)	19200 (5630)	17800 (5220)
	-15	(-26.1)	28000 (8210)	26600 (7800)	25100 (7360)	23700 (6950)	22200 (6510)	20700 (6070)	19200 (5630)	17800 (5220)	16400 (4810)	15200 (4450)
	-20	(-28.9)	24400 (7150)	23100 (6770)	21800 (6390)	20500 (6010)	19200 (5630)	17800 (5220)	16400 (4810)	15200 (4450)	13800 (4040)	12700 (3720)
	-25	(-31.7)	21100 (6180)	19900 (5830)	18700 (5480)	17600 (5160)	16400 (4810)	15200 (4450)	14000 (4090)	12800 (3780)	11600 (3470)	10500 (3160)
	-30	(-34.4)	18000 (5280)	17000 (4980)	15900 (4660)	14900 (4370)	13800 (4040)	12700 (3720)	11600 (3470)	10500 (3160)	9400 (2850)	8300 (2540)
	-35	(-37.2)	15300 (4480)	14300 (4190)	13400 (3930)	12400 (3630)	11400 (3340)	10500 (3080)	9400 (2850)	8300 (2540)	7200 (2230)	6100 (1920)
	-40	(-40.0)	12800 (3750)	11900 (3490)	11000 (3220)	10100 (2960)	9200 (2700)	8300 (2430)	7200 (2120)	6100 (1810)	5000 (1500)	3900 (1190)
RB600L6 Compressor Model 2DA3F23KE	0	(-17.8)	46600 (13660)	44300 (12980)	42100 (12340)	39800 (11660)	37600 (11020)	35400 (10370)	33300 (9760)	31300 (9170)	29300 (8590)	27500 (8060)
	-5	(-20.6)	41300 (12100)	39300 (11520)	37300 (10930)	35300 (10350)	33300 (9760)	31300 (9170)	29300 (8590)	27500 (8060)	25500 (7530)	24100 (7060)
	-10	(-23.3)	36500 (10700)	34700 (10170)	32900 (9640)	31100 (9110)	29300 (8590)	27500 (8060)	25500 (7530)	24100 (7060)	22300 (6540)	20900 (6130)
	-15	(-26.1)	32100 (9410)	30500 (8940)	28900 (8470)	27300 (8000)	25700 (7530)	24100 (7060)	22300 (6540)	20900 (6130)	19300 (5660)	18000 (5280)
	-20	(-28.9)	28100 (8240)	26600 (7800)	25200 (7390)	23800 (6980)	22300 (6540)	20900 (6130)	19300 (5660)	18000 (5280)	16400 (4810)	15200 (4450)
	-25	(-31.7)	24400 (7150)	23100 (6770)	21800 (6390)	20500 (6010)	19300 (5660)	18000 (5280)	16400 (4810)	15200 (4450)	13800 (4040)	12700 (3720)
	-30	(-34.4)	21000 (6150)	19900 (5830)	18700 (5480)	17500 (5130)	16400 (4810)	15200 (4450)	14000 (4090)	12800 (3780)	11600 (3470)	10500 (3160)
	-35	(-37.2)	18000 (5280)	16900 (4950)	15800 (4630)	14700 (4310)	13600 (3990)	12500 (3660)	11400 (3340)	10300 (3020)	9200 (2700)	8100 (2380)
	-40	(-40.0)	15100 (4430)	14100 (4130)	13100 (3840)	12100 (3550)	11000 (3220)	10000 (2930)	8900 (2610)	7800 (2280)	6700 (1970)	5600 (1660)
RB610L6 Compressor Model 3DA3F28KE	0	(-17.8)	55600 (16290)	53100 (15560)	50600 (14830)	48200 (14130)	45700 (13390)	43200 (12660)	40700 (11920)	38300 (11220)	35800 (10490)	33700 (9880)
	-5	(-20.6)	49300 (14450)	47100 (13800)	44900 (13160)	42700 (12510)	40500 (11870)	38300 (11220)	35800 (10490)	33700 (9880)	31300 (9170)	29500 (8650)
	-10	(-23.3)	43500 (12750)	41600 (12190)	39700 (11630)	37800 (11080)	35800 (10490)	33700 (9880)	31300 (9170)	29500 (8650)	27300 (8000)	25500 (7470)
	-15	(-26.1)	38300 (11220)	36600 (10730)	34900 (10230)	33100 (9700)	31300 (9170)	29500 (8650)	27300 (8000)	25500 (7470)	23400 (6860)	21800 (6390)
	-20	(-28.9)	33500 (9820)	32000 (9380)	30500 (8940)	28900 (8470)	27300 (8000)	25500 (7470)	23400 (6860)	21800 (6390)	20000 (5830)	18300 (5360)
	-25	(-31.7)	29100 (8530)	27800 (8150)	26400 (7740)	25000 (7330)	23400 (6860)	21800 (6390)	20000 (5830)	18300 (5360)	16600 (4860)	15000 (4400)
	-30	(-34.4)	25200 (7390)	24000 (7030)	22700 (6650)	21400 (6270)	19900 (5830)	18300 (5360)	16600 (4860)	15000 (4400)	13500 (3960)	11900 (3490)
	-35	(-37.2)	21700 (6360)	20500 (6010)	19300 (5660)	18000 (5280)	16600 (4860)	15000 (4400)	13500 (3960)	11900 (3490)	10400 (3050)	8800 (2580)
	-40	(-40.0)	18500 (5420)	17400 (5100)	16200 (4750)	14900 (4370)	13500 (3960)	11900 (3490)	10400 (3050)	8800 (2580)	7200 (2120)	5600 (1660)
RB750L6 Compressor Model 3DB3F33KE	0	(-17.8)	65600 (19230)	62700 (18380)	59800 (17530)	56900 (16680)	54000 (15830)	51200 (15010)	48500 (14200)	45500 (13330)	43000 (12500)	40300 (11810)
	-5	(-20.6)	58100 (17030)	55600 (16290)	53000 (15530)	50500 (14800)	48000 (14070)	45500 (13330)	43000 (12500)	40300 (11810)	37800 (11080)	35400 (10370)
	-10	(-23.3)	51300 (15030)	49100 (14390)	46900 (13740)	44700 (13100)	42500 (12460)	40300 (11810)	37800 (11080)	35400 (10370)	33000 (9640)	30900 (9060)
	-15	(-26.1)	45200 (13250)	43200 (12660)	41300 (12100)	39300 (11520)	37400 (10960)	35400 (10370)	33000 (9640)	30900 (9060)	28800 (8470)	26700 (7820)
	-20	(-28.9)	39600 (11610)	37900 (11110)	36200 (10610)	34500 (10110)	32700 (9580)	30900 (9060)	28800 (8470)	26700 (7820)	24600 (7230)	22700 (6650)
	-25	(-31.7)	34600 (10140)	33100 (9700)	31500 (9230)	29900 (8760)	28300 (8290)	26700 (7820)	24600 (7230)	22700 (6650)	20600 (6060)	18800 (5510)
	-30	(-34.4)	30000 (8790)	28600 (8380)	27200 (7970)	25700 (7530)	24200 (7090)	22700 (6650)	20600 (6060)	18800 (5510)	16800 (4950)	15000 (4400)
	-35	(-37.2)	25800 (7560)	24500 (7180)	23200 (6800)	21800 (6390)	20300 (5950)	18800 (5510)	16800 (4950)	15000 (4400)	13000 (3840)	11200 (3270)
	-40	(-40.0)	21900 (6420)	20600 (6040)	19300 (5660)	18000 (5280)	16500 (4840)	15000 (4400)	13000 (3840)	11200 (3270)	9200 (2700)	7400 (2120)
RB900L6 Compressor Model 3DF3F40KE	0	(-17.8)	80300 (23530)	76900 (22540)	73400 (21510)	70000 (20510)	66600 (19520)	63100 (18490)	59600 (17490)	56000 (16410)	52500 (15340)	49400 (14480)
	-5	(-20.6)	71200 (20870)	68100 (19960)	65100 (19080)	62100 (18200)	59000 (17290)	56000 (16410)	52500 (15340)	49400 (14480)	46000 (13420)	43300 (12690)
	-10	(-23.3)	62900 (18430)	60200 (17640)	57500 (16850)	54800 (16060)	52100 (15270)	49400 (14480)	46000 (13420)	43300 (12690)	40000 (11690)	37800 (11080)
	-15	(-26.1)	55300 (16210)	52900 (15500)	50500 (14800)	48200 (14130)	45800 (13420)	43300 (12690)	40000 (11690)	37800 (11080)	35000 (10110)	32600 (9550)
	-20	(-28.9)	48400 (14180)	46300 (13570)	44200 (12950)	42100 (12340)	39900 (11690)	37800 (11080)	35000 (10110)	32600 (9550)	30000 (8760)	27800 (8150)
	-25	(-31.7)	42100 (12340)	40200 (11780)	38400 (11250)	36500 (10700)	34500 (10110)	32600 (9550)	30000 (8760)	27800 (8150)	25000 (7330)	23300 (6830)
	-30	(-34.4)	36400 (10670)	34700 (10170)	33000 (9670)	31300 (9170)	29600 (8670)	27800 (8150)	25000 (7330)	23300 (6830)	21000 (6060)	19100 (5600)
	-35	(-37.2)	31300 (9170)	29700 (8700)	28200 (8260)	26600 (7800)	25000 (7330)	23300 (6830)	21000 (6060)	19100 (5600)	17000 (4950)	15000 (4400)
	-40	(-40.0)	26600 (7800)	25200 (7390)	23700 (6950)	22200 (6510)	20700 (6070)	19100 (5600)	17000 (4950)	15000 (4400)	13000 (3840)	11000 (3270)

table continues on next page >>>

LOW TEMPERATURE (cont'd)

Application Data calculated at 65°F Return Gas, 0°F Liquid Subcooling

CONDENSING UNIT MODEL	SATURATED SUCTION TEMPERATURE °F °C	CAPACITY BTU/H (WATTS) R404A R507 CONDENSING TEMPERATURE °F (°C)									
		100 (37.8)	105 (40.6)	110 (43.3)	115 (46.1)	120 (48.9)	125 (51.7)				
RB1000L6 Compressor Model 3DS3F46KE	0 (-17.8)	89000 (26080)	85200 (24970)	81300 (23830)	77400 (22680)	73400 (21510)	69600 (20400)				
	-5 (-20.6)	79400 (23270)	76000 (22270)	72500 (21250)	69000 (20220)	65500 (19200)	62000 (18170)				
	-10 (-23.3)	70600 (20690)	67500 (19780)	64400 (18870)	61300 (17970)	58100 (17030)	55000 (16120)				
	-15 (-26.1)	62400 (18290)	59600 (17470)	56800 (16650)	54000 (15830)	51200 (15010)	48400 (14180)				
	-20 (-28.9)	54800 (16060)	52400 (15360)	49900 (14620)	47300 (13860)	44800 (13130)	42300 (12400)				
	-25 (-31.7)	47900 (14040)	45700 (13390)	43400 (12720)	41100 (12050)	38800 (11370)	36600 (10730)				
	-30 (-34.4)	41500 (12160)	39500 (11580)	37400 (10960)	35400 (10370)	33300 (9760)	31200 (9140)				
	-35 (-37.2)	35700 (10460)	33900 (9940)	32000 (9380)	30000 (8790)	28100 (8240)	26200 (7680)				
	-40 (-40.0)	30400 (8910)	28700 (8410)	26900 (7880)	25100 (7360)	23300 (6830)	21500 (6300)				
RB1500L6 Compressor Model 4DHNF63KE	0 (-17.8)	121700 (35670)	115700 (33910)	109900 (32210)	104300 (30570)	98900 (28980)	93800 (27490)				
	-5 (-20.6)	108500 (31800)	103000 (30190)	97800 (28660)	92700 (27170)	87900 (25760)	83300 (24410)				
	-10 (-23.3)	96500 (28280)	91500 (26820)	86700 (25410)	82200 (24090)	77800 (22800)	73700 (21600)				
	-15 (-26.1)	85500 (25060)	81000 (23740)	76700 (22480)	72600 (21280)	68700 (20130)	65000 (19050)				
	-20 (-28.9)	75500 (22130)	71400 (20930)	67400 (19750)	63700 (18670)	60200 (17640)	56900 (16680)				
	-25 (-31.7)	66100 (19370)	62400 (18290)	58800 (17230)	55500 (16270)	52300 (15330)	49400 (14480)				
	-30 (-34.4)	57300 (16790)	53900 (15800)	50700 (14860)	47700 (13980)	44800 (13130)	42200 (12370)				
	-35 (-37.2)	49000 (14360)	45900 (13450)	42900 (12570)	40200 (11780)	37600 (11020)	35300 (10350)				
	-40 (-40.0)	40800 (11960)	38000 (11140)	35300 (10350)	32800 (9610)	30500 (8940)	28400 (8320)				
RB2000L6 Compressor Model 4DJNF76KE	0 (-17.8)	145400 (42610)	138000 (40440)	130900 (38360)	124100 (36370)	117700 (34490)	111600 (32710)				
	-5 (-20.6)	130100 (38130)	123500 (36190)	117200 (34350)	111200 (32590)	105400 (30890)	99800 (29250)				
	-10 (-23.3)	116100 (34030)	110200 (32300)	104600 (30660)	99200 (29070)	93900 (27520)	88800 (26020)				
	-15 (-26.1)	103100 (30220)	97900 (28690)	92800 (27200)	87900 (25760)	83100 (24350)	78400 (22980)				
	-20 (-28.9)	91000 (26670)	86400 (25320)	81800 (23970)	77400 (22680)	72900 (21360)	68500 (20080)				
	-25 (-31.7)	79700 (23360)	75600 (22160)	71500 (20950)	67300 (19720)	63100 (18490)	58900 (17260)				
	-30 (-34.4)	69200 (20280)	65400 (19170)	61600 (18050)	57700 (16910)	53700 (15740)	49500 (14510)				
	-35 (-37.2)	59200 (17350)	55700 (16320)	52100 (15270)	48300 (14160)	44400 (13010)	40200 (11780)				
	-40 (-40.0)	49600 (14540)	46300 (13570)	42800 (12540)	39100 (11460)	35100 (10290)	30800 (9030)				
RB2500L6 Compressor Model 6DHNF93KE	0 (-17.8)	184900 (54190)	176200 (51640)	167700 (49150)	159400 (46720)	151200 (44310)	143100 (41940)				
	-5 (-20.6)	165100 (48390)	157400 (46130)	149800 (43900)	142300 (41700)	135000 (39560)	127600 (37400)				
	-10 (-23.3)	146500 (42930)	139600 (40910)	132800 (38920)	126100 (36960)	119400 (34990)	112700 (33030)				
	-15 (-26.1)	129100 (37840)	122900 (36020)	116800 (34230)	110700 (32440)	104600 (30660)	98500 (28870)				
	-20 (-28.9)	112800 (33060)	107200 (31420)	101700 (29810)	96200 (28190)	90700 (26580)	85000 (24910)				
	-25 (-31.7)	97800 (28660)	92700 (27170)	87700 (25700)	82600 (24210)	77500 (22710)	72200 (21160)				
	-30 (-34.4)	84000 (24620)	79400 (23270)	74700 (21890)	70100 (20540)	65200 (19110)	60300 (17670)				
	-35 (-37.2)	71500 (20950)	67200 (19690)	62900 (18430)	58500 (17140)	53900 (15800)	49100 (14390)				
	-40 (-40.0)	60400 (17700)	56300 (16500)	52200 (15300)	47900 (14040)	43400 (12720)	38700 (11340)				
RB3000L6 Compressor Model 6DJNF11ME	0 (-17.8)	208300 (61050)	198200 (58090)	188100 (55130)	178200 (52230)	168300 (49320)	158600 (46480)				
	-5 (-20.6)	185100 (54250)	176200 (51640)	167300 (49030)	158400 (46420)	149700 (43870)	141100 (41350)				
	-10 (-23.3)	163800 (48000)	155900 (45690)	148100 (43400)	140200 (41090)	132500 (38830)	124800 (36580)				
	-15 (-26.1)	144300 (42290)	137300 (40240)	130400 (38220)	123400 (36160)	116500 (34140)	109600 (32120)				
	-20 (-28.9)	126500 (37070)	120300 (35260)	114100 (33440)	107800 (31590)	101600 (29780)	95500 (27990)				
	-25 (-31.7)	110200 (32300)	104600 (30660)	99000 (29010)	93400 (27370)	87800 (25730)	82200 (24090)				
	-30 (-34.4)	95300 (27930)	90300 (26460)	85200 (24970)	80000 (23450)	74800 (21920)	69600 (20400)				
	-35 (-37.2)	81700 (23940)	77100 (22600)	72300 (21190)	67400 (19750)	62600 (18350)	57700 (16910)				
	-40 (-40.0)	69300 (20310)	64900 (19020)	60300 (17670)	55700 (16320)	50900 (14920)	46200 (13540)				

CAPACITY DATA - R22
HIGH / MEDIUM TEMPERATURE

Application Data calculated at 65°F Return Gas, 0°F Liquid Subcooling

CONDENSING UNIT MODEL	SATURATED SUCTION TEMPERATURE °F °C	CAPACITY BTU/H (WATTS) R22 CONDENSING TEMPERATURE °F (°C)									
		100 (37.8)	105 (40.6)	110 (43.3)	115 (46.1)	120 (48.9)	125 (51.7)				
RB300M8 Compressor Model ERFB-031E	45 (7.2)	43700 (12810)	42300 (12400)	40900 (11990)	39500 (11580)	38000 (11140)	36600 (10730)				
	40 (4.4)	39500 (11580)	38200 (11200)	36900 (10810)	35600 (10430)	34300 (10050)	33000 (9670)				
	35 (1.7)	35600 (10430)	34400 (10080)	33200 (9730)	32000 (9380)	30800 (9030)	29600 (8670)				
	30 (-1.1)	31900 (9350)	30900 (9060)	29800 (8730)	28700 (8410)	27600 (8090)	26500 (7770)				
	25 (-3.9)	28600 (8380)	27600 (8090)	26600 (7800)	25600 (7500)	24600 (7210)	23600 (6920)				
	20 (-6.7)	25500 (7470)	24600 (7210)	23700 (6950)	22800 (6680)	21900 (6420)	20900 (6130)				
	15 (-9.4)	22700 (6650)	21900 (6420)	21000 (6150)	20200 (5920)	19300 (5660)	18500 (5420)				
10 (-12.2)	20100 (5890)	19300 (5660)	18500 (5420)	17700 (5190)	16900 (4950)	16200 (4750)					
RB500M8 Compressor Model 2DC3R53KE	45 (7.2)	73100 (21420)	70600 (20690)	68100 (19960)	65600 (19230)	63100 (18490)	60600 (17760)				
	40 (4.4)	65800 (19280)	63500 (18610)	61200 (17940)	58900 (17260)	56600 (16590)	54200 (15880)				
	35 (1.7)	59000 (17290)	56900 (16680)	54800 (16060)	52600 (15420)	50500 (14800)	48400 (14180)				
	30 (-1.1)	52700 (15440)	50800 (14890)	48800 (14300)	46900 (13740)	44900 (13160)	42900 (12570)				
	25 (-3.9)	46900 (13740)	45100 (13220)	43300 (12690)	41500 (12160)	39700 (11630)	37900 (11110)				
	20 (-6.7)	41600 (12190)	39900 (11690)	38200 (11200)	36600 (10730)	34900 (10230)	33200 (9730)				
	15 (-9.4)	36600 (10730)	35100 (10250)	33500 (9820)	32000 (9380)	30400 (8910)	28900 (8470)				
10 (-12.2)	32100 (9410)	30600 (8970)	29200 (8560)	27700 (8120)	26300 (7710)	24900 (7300)					
RB510M8 Compressor Model 2DD3R63KE	45 (7.2)	84300 (24710)	81500 (23890)	78700 (23060)	75800 (22210)	73000 (21390)	70200 (20570)				
	40 (4.4)	76000 (22270)	73400 (21510)	70800 (20750)	68200 (19990)	65600 (19230)	63000 (18460)				
	35 (1.7)	68300 (20020)	65900 (19310)	63500 (18610)	61100 (17910)	58700 (17200)	56300 (16500)				
	30 (-1.1)	61100 (17910)	58900 (17260)	56700 (16620)	54500 (15970)	52400 (15360)	50200 (14710)				
	25 (-3.9)	54500 (15970)	52500 (15390)	50500 (14800)	48500 (14210)	46500 (13630)	44500 (13040)				
	20 (-6.7)	48400 (14180)	46600 (13660)	44700 (13100)	42900 (12570)	41000 (12020)	39200 (11490)				
	15 (-9.4)	42800 (12540)	41100 (12050)	39300 (11520)	37600 (11020)	36000 (10550)	34300 (10050)				
10 (-12.2)	37500 (10990)	36000 (10550)	34400 (10080)	32800 (9610)	31200 (9140)	29700 (8700)					
RB750M8 Compressor Model 2DL3R78KE	45 (7.2)	104500 (30630)	101300 (29690)	98000 (28720)	94700 (27750)	91300 (26760)	87900 (25760)				
	40 (4.4)	94400 (27670)	91400 (26790)	88400 (25910)	85400 (25030)	82300 (24120)	79200 (23210)				
	35 (1.7)	85000 (24910)	82300 (24120)	79600 (23330)	76700 (22480)	73900 (21660)	71100 (20840)				
	30 (-1.1)	76400 (22390)	73900 (21660)	71300 (20900)	68800 (20160)	66200 (19400)	63600 (18640)				
	25 (-3.9)	68400 (20050)	66100 (19370)	63800 (18700)	61400 (17990)	59000 (17290)	56600 (16590)				
	20 (-6.7)	61000 (17880)	58800 (17230)	56700 (16620)	54600 (16000)	52400 (15360)	50200 (14710)				
	15 (-9.4)	54100 (15860)	52100 (15270)	50200 (14710)	48200 (14130)	46200 (13540)	44200 (12950)				
10 (-12.2)	47600 (13950)	45900 (13450)	44100 (12920)	42300 (12400)	40500 (11870)	38700 (11340)					
RB760M8 Compressor Model 3DA3R10ME	45 (7.2)	141100 (41350)	136700 (40060)	132300 (38770)	127900 (37480)	123600 (36220)	119300 (34960)				
	40 (4.4)	127900 (37480)	123800 (36280)	119800 (35110)	115800 (33940)	111900 (32790)	107900 (31620)				
	35 (1.7)	115600 (33880)	111900 (32790)	108200 (31710)	104600 (30660)	101000 (29600)	97400 (28550)				
	30 (-1.1)	104200 (30540)	100800 (29540)	97500 (28570)	94100 (27580)	90800 (26610)	87600 (25670)				
	25 (-3.9)	93600 (27430)	90600 (26550)	87500 (25640)	84500 (24760)	81500 (23890)	78500 (23010)				
	20 (-6.7)	83900 (24590)	81100 (23770)	78300 (22950)	75600 (22160)	72800 (21340)	70100 (20540)				
	15 (-9.4)	74900 (21950)	72400 (21220)	69800 (20460)	67300 (19720)	64800 (18990)	62400 (18290)				
10 (-12.2)	66600 (19520)	64300 (18840)	62000 (18170)	59700 (17500)	57400 (16820)	55200 (16180)					
RB1000M8 Compressor Model 3DB3R12ME	45 (7.2)	165800 (48590)	160900 (47150)	156100 (45750)	151200 (44310)	146300 (42880)	141300 (41410)				
	40 (4.4)	150500 (44110)	146000 (42790)	141600 (41500)	137100 (40180)	132600 (38860)	128000 (37510)				
	35 (1.7)	136300 (39950)	132200 (38740)	128100 (37540)	124000 (36340)	119900 (35140)	115700 (33910)				
	30 (-1.1)	123100 (36080)	119400 (34990)	115700 (33910)	111900 (32790)	108100 (31680)	104300 (30570)				
	25 (-3.9)	111000 (32530)	107600 (31530)	104200 (30540)	100700 (29510)	97200 (28490)	93700 (27460)				
	20 (-6.7)	99700 (29220)	96600 (28310)	93500 (27400)	90400 (26490)	87200 (25560)	84000 (24620)				
	15 (-9.4)	89400 (26200)	86600 (25380)	83700 (24530)	80800 (23680)	77900 (22830)	75000 (21980)				
10 (-12.2)	79800 (23390)	77300 (22650)	74700 (21890)	72000 (21100)	69400 (20340)	66700 (19550)					
RB1500M8 Compressor Model 3DS3R17ME	45 (7.2)	220900 (64740)	213900 (62690)	206900 (60640)	200100 (58640)	193300 (56650)	186600 (54690)				
	40 (4.4)	200300 (58700)	193900 (56830)	187600 (54980)	181400 (53160)	175300 (51380)	169200 (49590)				
	35 (1.7)	181100 (53070)	175400 (51400)	169700 (49730)	164100 (48090)	158600 (46480)	153200 (44900)				
	30 (-1.1)	163500 (47920)	158300 (46390)	153200 (44900)	148200 (43430)	143300 (42000)	138500 (40590)				
	25 (-3.9)	147200 (43140)	142500 (41760)	137900 (40410)	133500 (39120)	129100 (37840)	124900 (36600)				
	20 (-6.7)	132100 (38710)	127900 (37480)	123800 (36280)	119900 (35140)	116100 (34030)	112300 (32910)				
	15 (-9.4)	118200 (34640)	114500 (33560)	110900 (32500)	107400 (31480)	104000 (30480)	100800 (29540)				
10 (-12.2)	105400 (30890)	102100 (29920)	98900 (28980)	95800 (28080)	92900 (27230)	90100 (26410)					
RB2500M8 Compressor Model 4DHNR22ME	45 (7.2)	311000 (91140)	301200 (88270)	291400 (85400)	281500 (82500)	271600 (79600)	261700 (76700)				
	40 (4.4)	283800 (83170)	274700 (80510)	265500 (77810)	256300 (75110)	247100 (72420)	237800 (69690)				
	35 (1.7)	257400 (75440)	248900 (72950)	240400 (70450)	231800 (67930)	223200 (65410)	214600 (62890)				
	30 (-1.1)	231900 (67960)	224100 (65680)	216200 (63360)	208300 (61050)	200300 (58700)	192400 (56390)				
	25 (-3.9)	207500 (60810)	200300 (58700)	193100 (56590)	185800 (54450)	178500 (52310)	171200 (50170)				
	20 (-6.7)	184500 (54070)	178000 (52170)	171400 (50230)	164700 (48270)	158000 (46310)	151200 (44310)				
	15 (-9.4)	163100 (47800)	157200 (46070)	151200 (44310)	145100 (42520)	139000 (40740)	132800 (38920)				
10 (-12.2)	143400 (42030)	138100 (40470)	132700 (38890)	127200 (37280)	121700 (35670)	116100 (34030)					

table continues on next page >>>

RB**CAPACITY DATA - R22****60Hz****HIGH / MEDIUM TEMPERATURE (cont'd)**

Application Data calculated at 65°F Return Gas, 0°F Liquid Subcooling

CONDENSING UNIT MODEL	SATURATED SUCTION TEMP.		CAPACITY BTU/H (WATTS) R22											
	° F	° C	CONDENSING TEMPERATURE ° F (° C)											
			100 (37.8)	105 (40.6)	110 (43.3)	115 (46.1)	120 (48.9)	125 (51.7)						
RB3000M8 Compressor Model 4DJNR28ME	45 (7.2)		363800 (106620)	352800 (103400)	341800 (100170)	330700 (96920)	319500 (93640)	308000 (90270)						
	40 (4.4)		330800 (96950)	320500 (93930)	310300 (90940)	300000 (87920)	289500 (84840)	278800 (81710)						
	35 (1.7)		299400 (87750)	289900 (84960)	280500 (82210)	270900 (79390)	261300 (76580)	251400 (73680)						
	30 (-1.1)		269800 (79070)	261100 (76520)	252400 (73970)	243600 (71390)	234700 (68780)	225600 (66120)						
	25 (-3.9)		242000 (70920)	234000 (68580)	226000 (66230)	218100 (63920)	209900 (61520)	201600 (59080)						
	20 (-6.7)		216000 (63300)	208700 (61160)	201500 (59050)	194300 (56940)	186900 (54770)	179300 (52550)						
	15 (-9.4)		191800 (56210)	185300 (54310)	178800 (52400)	172300 (50500)	165800 (48590)	158900 (46570)						
10 (-12.2)		169500 (49680)	163700 (47980)	158000 (46310)	152300 (44630)	146400 (42910)	140400 (41150)							
RB3500M8 Compressor Model 6DHNR35ME	45 (7.2)		446900 (130970)	431700 (126520)	416700 (122120)	401800 (117760)	387200 (113480)	372700 (109230)						
	40 (4.4)		404000 (118400)	390400 (114410)	376800 (110430)	363400 (106500)	350200 (102630)	337100 (98790)						
	35 (1.7)		364500 (106820)	352300 (103250)	340200 (99700)	328100 (96160)	316200 (92670)	304400 (89210)						
	30 (-1.1)		328200 (96190)	317300 (92990)	306400 (89800)	295700 (86660)	285000 (83520)	274400 (80420)						
	25 (-3.9)		295000 (86460)	285200 (83580)	275500 (80740)	265900 (77930)	256300 (75110)	246900 (72360)						
	20 (-6.7)		264500 (77520)	255900 (75000)	247200 (72450)	238600 (69930)	230100 (67440)	221600 (64940)						
	15 (-9.4)		236700 (69370)	229000 (67110)	221400 (64890)	213700 (62630)	206100 (60400)	198500 (58170)						
10 (-12.2)		211300 (61930)	204600 (59960)	197700 (57940)	190900 (55950)	184100 (53950)	177300 (51960)							
RB4000M8 Compressor Model 6DJNR40ME	45 (7.2)		531800 (155850)	514600 (150810)	497700 (145860)	480800 (140910)	464000 (135980)	447200 (131060)						
	40 (4.4)		483900 (141820)	468300 (137240)	452800 (132700)	437500 (128220)	422200 (123730)	406900 (119250)						
	35 (1.7)		439000 (128660)	424800 (124500)	410800 (120390)	396900 (116320)	383100 (112280)	369200 (108200)						
	30 (-1.1)		397000 (116350)	384200 (112600)	371600 (108900)	359100 (105240)	346600 (101580)	334100 (97910)						
	25 (-3.9)		357800 (104860)	346300 (101490)	335000 (98180)	323800 (94900)	312600 (91610)	301400 (88330)						
	20 (-6.7)		321400 (94190)	311100 (91170)	301000 (88210)	291000 (85280)	281000 (82350)	271000 (79420)						
	15 (-9.4)		287600 (84290)	278500 (81620)	269500 (78980)	260600 (76370)	251800 (73800)	242900 (71190)						
10 (-12.2)		256400 (75140)	248300 (72770)	240400 (70450)	232600 (68170)	224800 (65880)	216900 (63570)							

RB**CAPACITY DATA - R22
MEDIUM TEMPERATURE****60Hz**

Application Data calculated at 65°F Return Gas, 0°F Liquid Subcooling

CONDENSING UNIT MODEL	SATURATED SUCTION TEMPERATURE		CAPACITY BTU/H (WATTS) R22											
	° F	° C	CONDENSING TEMPERATURE ° F (° C)											
			100 (37.8)	105 (40.6)	110 (43.3)	115 (46.1)	120 (48.9)	125 (51.7)						
RB075M2 Compressor Model KAN2-0075	45 (7.2)		11350 (3330)	10930 (3200)	10520 (3080)	10110 (2960)	9690 (2840)	9260 (2710)						
	40 (4.4)		10120 (2970)	9750 (2860)	9380 (2750)	9010 (2640)	8630 (2530)	8250 (2420)						
	35 (1.7)		9000 (2640)	8660 (2540)	8320 (2440)	7990 (2340)	7650 (2240)	7310 (2140)						
	30 (-1.1)		7970 (2340)	7660 (2240)	7350 (2150)	7050 (2070)	6750 (1980)	6440 (1890)						
	25 (-3.9)		7020 (2060)	6740 (1980)	6460 (1890)	6190 (1810)	5910 (1730)	5640 (1650)						
	20 (-6.7)		6150 (1800)	5890 (1730)	5640 (1650)	5390 (1580)	5140 (1510)	4890 (1430)						
	15 (-9.4)		5360 (1570)	5120 (1500)	4880 (1430)	4650 (1360)	4420 (1300)	4190 (1230)						
10 (-12.2)		4630 (1360)	4400 (1290)	4180 (1230)	3970 (1160)	3760 (1100)	3540 (1040)							
RB100M2 Compressor Model KAR2-0100	45 (7.2)		15480 (4540)	14900 (4370)	14330 (4200)	13750 (4030)	13180 (3860)	12600 (3690)						
	40 (4.4)		13940 (4090)	13410 (3930)	12890 (3780)	12360 (3620)	11840 (3470)	11320 (3320)						
	35 (1.7)		12510 (3670)	12030 (3530)	11550 (3380)	11080 (3250)	10610 (3110)	10130 (2970)						
	30 (-1.1)		11190 (3280)	10760 (3150)	10330 (3030)	9900 (2900)	9470 (2780)	9040 (2650)						
	25 (-3.9)		9980 (2920)	9590 (2810)	9200 (2700)	8810 (2580)	8430 (2470)	8050 (2360)						
	20 (-6.7)		8870 (2600)	8520 (2500)	8170 (2390)	7820 (2290)	7480 (2190)	7140 (2090)						
	15 (-9.4)		7850 (2300)	7540 (2210)	7230 (2120)	6920 (2030)	6610 (1940)	6310 (1850)						
10 (-12.2)		6930 (2030)	6650 (1950)	6370 (1870)	6100 (1790)	5830 (1710)	5570 (1630)							
RB150M2 Compressor Model KAGB-0150	45 (7.2)		18200 (5330)	17600 (5160)	17000 (4980)	16400 (4810)	15800 (4630)	15200 (4450)						
	40 (4.4)		16400 (4810)	15800 (4630)	15300 (4480)	14700 (4310)	14200 (4160)	13600 (3990)						
	35 (1.7)		14700 (4310)	14200 (4160)	13700 (4020)	13200 (3870)	12700 (3720)	12200 (3580)						
	30 (-1.1)		13200 (3870)	12700 (3720)	12200 (3580)	11800 (3460)	11300 (3310)	10800 (3170)						
	25 (-3.9)		11700 (3430)	11300 (3310)	10900 (3190)	10400 (3050)	10000 (2930)	9600 (2810)						
	20 (-6.7)		10400 (3050)	10000 (2930)	9600 (2810)	9200 (2700)	8800 (2580)	8400 (2460)						
	15 (-9.4)		9100 (2670)	8800 (2580)	8400 (2460)	8100 (2370)	7700 (2260)	7400 (2170)						
10 (-12.2)		8000 (2340)	7700 (2260)	7300 (2140)	7000 (2050)	6700 (1960)	6400 (1880)							
RB200M2 Compressor Model ERA2-0200	45 (7.2)		29000 (8500)	27600 (8090)	26100 (7650)	24600 (7210)	23100 (6770)	21600 (6330)						
	40 (4.4)		25600 (7500)	24200 (7090)	22900 (6710)	21500 (6300)	20200 (5920)	18800 (5510)						
	35 (1.7)		22400 (6560)	21100 (6180)	19900 (5830)	18700 (5480)	17500 (5130)	16300 (4780)						
	30 (-1.1)		19400 (5690)	18200 (5330)	17000 (4980)	15900 (4660)	14900 (4370)	13900 (4070)						
	25 (-3.9)		16500 (4840)	15400 (4510)	14400 (4220)	13400 (3930)	12400 (3630)	11600 (3400)						
	20 (-6.7)		13800 (4040)	12800 (3750)	11800 (3460)	10900 (3190)	10100 (2960)	9400 (2750)						
	15 (-9.4)		11200 (3280)	10200 (2990)	9300 (2730)	8500 (2490)	7800 (2290)	7200 (2110)						
10 (-12.2)		8700 (2550)	7700 (2260)	6900 (2020)	6200 (1820)	5600 (1640)	5100 (1490)							

CONDENSING UNIT MODEL	COMPRESSOR MODEL NO.	POWER SUPPLY	COMPRESSOR		COOLING FAN	UNIT		
			RLA	LRA	FLA	MCA	MOP	
RB075M2-	IS2A	KAN2-0075-CAV	208-230/1/60	6.1	36	0.85	7.6	15
	IT3A	KAN1-0075-TAC	208-230/3/60	3.5	19.9	0.44	4.4	15
RB100M2-	IS2A	KAR2-0100-CAV	208-230/1/60	7.4	40	0.85	9.3	15
	IT3A	KAR1-0100-TAC	208-230/3/60	4.3	27	0.85	5.4	15
	IT4A	KAR1-0100-TAD	460/3/60	2.2	13.5	0.44	2.8	15
RB150M2-	IS2A	KAGB-0150-CAV	208-230/1/60	9.6	55	0.85	12.0	20
	IT3A	KAGA-0150-TAC	208-230/3/60	5.5	35.5	0.85	6.9	15
	IT4A	KAGA-0150-TAD	460/3/60	2.5	18.2	0.44	3.1	15
RB200M2-	IS3A	ERA2-0200-CAB	230/1/60	10.4	58	0.85	13.0	20
	IT3A	ERA1-0200-TAC	208-230/3/60	6.6	46	0.85	8.3	15
	IT4A	ERA1-0200-TAD	460/3/60	3.5	23	0.44	4.4	15
	IT5A	ERA1-0200-TAE	575/3/60	3.5	20	0.85	4.4	15
RB100M6-	IS2A	KARB-010E-CAV	208-230/1/60	7.4	40.0	0.85	9.3	15
	IT3A	KARA-010E-TAC	208-230/3/60	4.3	27	0.85	5.4	15
RB200M6-	IS2A	KAKB-021E-CAV	208-230/1/60	10.6	55	0.85	13.3	20
	IT3A	KAKA-020E-TAC	208-230/3/60	6.8	50	0.85	8.5	15
RB210M6-	IT3A	ERCA-021E-TAC	208-230/3/60	8.8	46	0.85	11.0	15
	IT4A	ERCA-020E-TAD	460/3/60	3.5	23	0.44	4.4	15
	IT5A	ERCA-021E-TAE	575/3/60	3.1	20	0.85	3.9	15
RB300M8-	IS3A	ERFB-031E-CAB	230/1/60	17	86	-	21.3	35
	IT3A	ERFA-031E-TAC	208-230/3/60	12.4	82	-	15.5	25
	IT4A	ERFA-031E-TAD	460/3/60	5.8	41	-	7.3	15
	IT5A	ERFA-031E-TAE	575/3/60	5.2	30	-	6.5	15
RB500M8-	IT3A	2DC3R53KE-TFC	208-230/3/60	22.3	120	-	27.9	50
	IT4A	2DC3R53KE-TFD	460/3/60	10.4	60	-	13.0	20
	IT5A	2DC3R53KE-TFE	575/3/60	7.7	49	-	9.6	15
RB510M8-	IT3A	2DD3R63KE-TFC	208-230/3/60	22.3	120	-	27.9	50
	IT4A	2DD3R63KE-TFD	460/3/60	10.5	60	-	13.1	20
	IT5A	2DD3R63KE-TFE	575/3/60	7.9	49	-	9.9	15
RB750M8-	IT3A	2DL3R78KE-TFC	208-230/3/60	31.6	169	-	39.5	70
	IT4A	2DL3R78KE-TFD	460/3/60	13.8	85	-	17.3	30
	IT5A	2DL3R78KE-TFE	575/3/60	13.2	67	-	16.5	25
RB760M8-	IT3A	3DA3R10ME-TFC	208-230/3/60	41	215	-	51.3	90
	IT4A	3DA3R10ME-TFD	460/3/60	20	106	-	25.0	45
	IT5A	3DA3R10ME-TFE	575/3/60	16.4	84	-	20.5	35
RB1000M8-	IT3A	3DB3R12ME-TFC	208-230/3/60	43.6	215	-	54.5	90
	IT4A	3DB3R12ME-TFD	460/3/60	20	106	-	25.0	45
	IT5A	3DB3R12ME-TFE	575/3/60	16.5	84	-	20.6	35
RB1500M8-	IT3A	3DS3R17ME-TFC	208-230/3/60	59.6	275	-	74.5	125
	IT4A	3DS3R17ME-TFD	460/3/60	29	138	-	36.3	60
	IT5A	3DS3R17ME-TFE	575/3/60	23.6	110	-	29.5	50
RB2500M8-	IT3A	4DHNR22ME-TSK	208-230/3/60	82.1	428	-	102.6	175
	IT4A	4DHNR22ME-TSK	460/3/60	41.1	214	-	51.4	90
	IT5A	4DHNR22ME-TSE	575/3/60	34.4	172	-	43.0	70
RB3000M8-	IT3A	4DJNR28ME-TSK	208-230/3/60	105.4	470	-	131.8	225
	IT4A	4DJNR28ME-TSK	460/3/60	52.7	235	-	65.9	100
	IT5A	4DJNR28ME-TSE	575/3/60	44.1	200	-	55.1	90
RB3500M8-	IT3A	6DHNR35ME-TSK	208-230/3/60	125.1	565	-	156.4	250
	IT4A	6DHNR35ME-TSK	460/3/60	62.6	283	-	78.3	125
	IT5A	6DHNR35ME-TSE	575/3/60	43.1	230	-	53.9	90
RB4000M8-	IT3A	6DJNR40ME-TSN	230/3/60	142.9	594	-	178.6	300
	IT4A	6DJNR40ME-TSN	460/3/60	71.4	297	-	89.3	150
	IT5A	6DJNR40ME-TSE	575/3/60	53.5	245	-	66.9	110

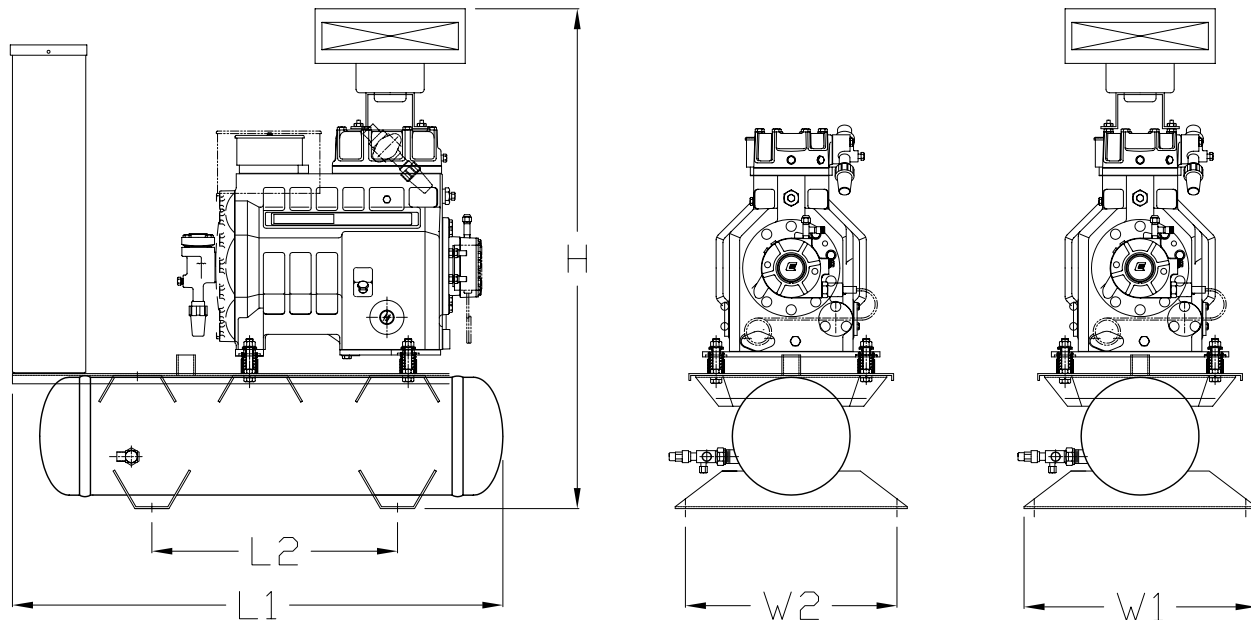
Above listed RLA value is based on UL rating method and may differ from published compressor RLA data.

table continues on next page >>>

CONDENSING UNIT MODEL	COMPRESSOR MODEL NO.	POWER SUPPLY	COMPRESSOR		COOLING FAN	UNIT		
			RLA	LRA	FLA	MCA	MOP	
RB050L 6/8 -	IS2A	KANB-005E-CAV	208-230/1/60	3.6	24	0.85	5.4	15
	IT3A	KANA-006E-TAC	208-230/3/60	2.2	13.2	0.85	3.6	15
RB075L 6/8 -	IS2A	KAMB-007E-CAV	208-230/1/60	5.6	36	0.85	7.9	15
	IT3A	KAMA-007E-TAC	208-230/3/60	3.2	19.9	0.85	4.9	15
RB100L 6/8 -	IS2A	KAJB-010E-CAV	208-230/1/60	6.9	40	0.85	9.5	15
	IT3A	KAJA-011E-TAC	208-230/3/60	4.6	27	0.85	6.6	15
	IT4A	KAJA-011E-TAD	460/3/60	2.1	15	0.44	3.1	15
RB150L 6/8 -	IS2A	KALB-015E-CAV	208-230/1/60	9.9	55	0.85	13.2	20
	IT3A	KALA-016E-TAC	208-230/3/60	6.6	50	0.85	9.1	15
	IT4A	KALA-016E-TAD	460/3/60	3.4	25	0.44	4.7	15
RB200L 6/8 -	IS2A	EAVB-021E-CAV	208-230/1/60	14.7	102	0.85	19.2	30
	IT3A	EAVA-021E-TAC	208-230/3/60	7.4	50	0.85	10.1	15
	IT4A	EAVA-021E-TAD	460/3/60	3.9	26.6	0.44	5.3	15
	IT5A	EAVA-021E-TAE	575/3/60	3.1	20	0.85	4.7	15
RB300L 6/8 -	IS3A	LAHB-032E-CAB	230/1/60	16.7	105	0.85	21.7	35
	IT3A	LAHA-032E-TAC	208-230/3/60	12.8	112	0.85	16.9	25
	IT4A	LAHA-032E-TAD	460/3/60	6	56	0.44	7.9	15
	IT5A	LAHA-032E-TAE	575/3/60	4.1	30	0.85	6.0	15
RB350L 6/8 -	IS3A	2DF3F16KE-CFB	230/1/60	25.8	125	0.85	33.1	50
	IT3A	2DF3F16KE-TFC	208-230/3/60	16.8	102	0.85	21.9	35
	IT4A	2DF3F16KE-TFD	460/3/60	8.1	52	0.44	10.6	15
	IT5A	2DF3F16KE-TFE	575/3/60	6.7	41	0.85	9.2	15
RB400L 6/8 -	IT3A	2DL3F20KE-TFC	208-230/3/60	26.3	161	0.85	33.7	50
	IT4A	2DL3F20KE-TFD	460/3/60	10.2	60	0.44	13.2	20
	IT5A	2DL3F20KE-TFE	575/3/60	7.7	49	0.85	10.5	15
RB600L 6/8 -	IT3A	2DA3F23KE-TFC	208-230/3/60	28.8	161	0.85	36.9	60
	IT4A	2DA3F23KE-TFD	460/3/60	10.2	60	0.44	13.2	20
	IT5A	2DA3F23KE-TFE	575/3/60	9.1	49	0.85	12.2	20
RB610L 6/8 -	IT3A	3DA3F28KE-TFC	208-230/3/60	30.3	150	0.85	38.7	60
	IT4A	3DA3F28KE-TFD	460/3/60	13.7	77	0.44	17.6	30
	IT5A	3DA3F28KE-TFE	575/3/60	10.5	62	0.85	14.0	20
RB750L 6/8 -	IT3A	3DB3F33KE-TFC	208-230/3/60	31.4	161	0.85	40.1	70
	IT4A	3DB3F33KE-TFD	460/3/60	16.1	83	0.44	20.6	35
	IT5A	3DB3F33KE-TFE	575/3/60	11	67	0.85	14.6	25
RB900L 6/8 -	IT3A	3DF3F40KE-TFC	208-230/3/60	39	215	0.85	49.6	80
	IT4A	3DF3F40KE-TFD	460/3/60	16.9	106	0.44	21.6	35
	IT5A	3DF3F40KE-TFE	575/3/60	16.5	84	0.85	21.5	35
RB1000L 6/8 -	IT3A	3DS3F46KE-TFC	208-230/3/60	41.4	215	0.85	52.6	90
	IT4A	3DS3F46KE-TFD	460/3/60	18.6	106	0.44	23.7	40
	IT5A	3DS3F46KE-TFE	575/3/60	16.2	84	0.85	21.1	35
RB1500L 6/8 -	IT3A	4DHNF63KE-TSK	208-230/3/60	52.6	278	0.85	66.6	110
	IT4A	4DHNF63KE-TSK	460/3/60	26.3	139	0.44	33.3	50
	IT5A	4DHNF63KE-TSE	575/3/60	20.9	113	0.85	27.0	45
RB2000L 6/8 -	IT3A	4DJNF76KE-TSK	208-230/3/60	64.3	374	0.85	81.2	125
	IT4A	4DJNF76KE-TSK	460/3/60	32.1	187	0.44	40.6	70
	IT5A	4DJNF76KE-TSE	575/3/60	29.1	135	0.85	37.2	60
RB2500L 6/8 -	IT3A	6DHNF93KE-TSK	208-230/3/60	80.7	450	0.85	101.7	175
	IT4A	6DHNF93KE-TSK	460/3/60	40.4	225	0.44	50.9	90
	IT5A	6DHNF93KE-TSE	575/3/60	32.5	172	0.85	41.5	70
RB3000L 6/8 -	IT3A	6DJNF11ME-TSK	208-230/3/60	95.6	470	0.85	120.4	200
	IT4A	6DJNF11ME-TSK	460/3/60	47.8	235	0.44	60.2	100
	IT5A	6DJNF11ME-TSE	575/3/60	39.6	200	0.85	50.4	80

Above listed RLA value is based on UL rating method and may differ from published compressor RLA data.

CONDENSING UNIT MODEL	OVERALL						BASE MTG. CENTERS			
	L1		W2		H		L2		W2	
	Inches	mm	Inches	mm	Inches	mm	Inches	mm	Inches	mm
RB075M2	24	610	30	762	18 1/4	464	12	305	13	330
RB100M2	24	610	30	762	18 1/4	464	12	305	13	330
RB150M2	24	610	30	762	18 1/4	464	12	305	13	330
RB200M2	24	610	23	584	21	533	12	305	13	330
RB100M6	24	610	31	787	18 1/4	464	12	305	13	330
RB200M6	24	610	23	584	21	533	12	305	13	330
RB210M6	24	610	23	584	21	533	12	305	13	330
RB300M8	24	610	23	584	23	584	12	305	13	330
RB500M8	30	762	23	584	28	711	12	305	13	330
RB510M8	30	762	23	584	28	711	12	305	13	330
RB750M8	32	813	23	584	30 1/4	768	15	381	13	330
RB760M8	32	813	23	584	30 1/2	775	15	381	13	330
RB1000M8	43	1092	25	635	31	787	24	610	15 1/2	394
RB1500M8	43	1092	25	635	31	787	24	610	15 1/2	394
RB2000M8	41	1041	28	711	31 3/4	806	24	610	15 1/2	394
RB2500M8	41	1041	29	737	33 1/4	845	24	610	15 1/2	394
RB3000M8	51	1295	29	737	33 3/4	857	24	610	15 1/2	394
RB3500M8	51	1295	31	787	33	838	24	610	15 1/2	394
RB4000M8	51	1295	35	889	35 1/4	895	24	610	15 1/2	394
RB050L 6/8	24	610	14 1/2	368	18 1/4	464	12	305	13	330
RB075L 6/8	24	610	20	508	18 1/4	464	12	305	13	330
RB100L 6/8	24	610	20	508	18 1/4	464	12	305	13	330
RB150L 6/8	24	610	20	508	18 1/4	464	12	305	13	330
RB200L 6/8	24	610	14 1/2	368	16 1/2	419	12	305	13	330
RB300L 6/8	24	610	17	432	24	610	12	305	13	330
RB350L 6/8	30	762	17	432	35 1/2	902	12	305	13	330
RB400L 6/8	30	762	17	432	35 1/2	902	12	305	13	330
RB600L 6/8	32	813	17	432	37 3/4	959	15	381	13	330
RB610L 6/8	32	813	17	432	38	965	15	381	13	330
RB750L 6/8	32	813	17	432	38	965	15	381	13	330
RB900L 6/8	43	1092	18	457	38 1/2	978	24	610	15 1/2	394
RB1000L 6/8	43	1092	18	457	38 1/2	978	24	610	15 1/2	394
RB1500L 6/8	43	1092	22 3/4	578	36 3/4	933	24	610	15 1/2	394
RB2000L 6/8	41	1041	23 1/4	591	38 3/4	984	24	610	15 1/2	394
RB2500L 6/8	41	1041	26 3/4	679	41 3/4	1060	24	610	15 1/2	394
RB3000L 6/8	51	1295	26 3/4	679	43 3/4	1111	24	610	15 1/2	394





SPECIFICATIONS

CONDENSING UNIT MODEL	COMPRESSOR				RECEIVER				R404A RECEIVER CAPACITY 90% FULL *		SHIPPING WEIGHT			
	DISCHARGE (OD)		SUCTION (OD)		INLET		OUTLET		Lbs.	Kgs	OUTDOOR		INDOOR	
	Inches	mm	Inches	mm	Inches	mm	Inches	mm			Lbs.	Kgs	Lbs.	Kgs
RB075M2	3/8	10	1/2	13	1/2	13	3/8	10	27	12	286	130	230	104
RB100M2	1/2	13	5/8	16	1/2	13	3/8	10	27	12	288	131	260	118
RB150M2	1/2	13	7/8	22	1/2	13	3/8	10	27	12	291	132	295	134
RB200M2	5/8	16	7/8	22	1/2	13	3/8	10	27	12	361	164	305	138
RB100M6	1/2	13	5/8	16	1/2	13	3/8	10	25	11	290	132	432	196
RB200M6	5/8	16	7/8	22	1/2	13	3/8	10	25	11	298	135	230	104
RB210M6	5/8	16	7/8	22	1/2	13	3/8	10	25	11	371	168	260	118
RB300M8*	5/8	16	1 1/8	29	1/2	13	3/8	10	40	18	386	175	370	168
RB500M8*	7/8	22	1 3/8	35	5/8	16	5/8	16	50	23	516	234	721	327
RB510M8*	7/8	22	1 3/8	35	5/8	16	5/8	16	50	23	516	234	724	328
RB750M8*	7/8	22	1 3/8	35	5/8	16	5/8	16	81	37	599	272	735	333
RB760M8*	1 1/8	29	1 3/8	35	5/8	16	5/8	16	81	37	632	287	830	376
RB1000M8*	1 1/8	29	1 3/8	35	7/8	22	7/8	22	112	51	672	305	830	376
RB1500M8*	1 1/8	29	1 5/8	41	7/8	22	7/8	22	149	68	680	308	830	376
RB2500M8*	1 3/8	35	2 1/8	54	1 1/8	29	1 1/8	29	149	68	811	368	1030	467
RB3000M8*	1 3/8	35	2 1/8	54	1 1/8	29	1 1/8	29	187	85	835	379	1030	467
RB3500M8*	1 5/8	41	2 1/8	54	1 1/8	29	1 1/8	29	187	85	905	411	260	118
RB4000M8*	1 5/8	41	2 1/8	54	1 1/8	29	1 1/8	29	187	85	957	434	305	138
RB050L 6/8	3/8	10	1/2	13	1/2	13	3/8	10	23	10	286	130	370	168
RB075L 6/8	3/8	10	5/8	16	1/2	13	3/8	10	23	10	285	129	432	196
RB100L 6/8	1/2	13	5/8	16	1/2	13	3/8	10	23	10	293	133	497	225
RB150L 6/8	1/2	13	7/8	22	1/2	13	3/8	10	23	10	295	134	230	104
RB200L 6/8	1/2	13	7/8	22	1/2	13	3/8	10	23	10	367	166	260	118
RB300L 6/8	5/8	16	1 1/8	29	1/2	13	3/8	10	40	18	449	204	275	125
RB350L 6/8	7/8	22	1 3/8	35	1/2	13	1/2	13	50	23	533	242	300	136
RB400L 6/8	7/8	22	1 3/8	35	1/2	13	1/2	13	50	23	538	244	370	168
RB600L 6/8	7/8	22	1 3/8	35	5/8	16	5/8	16	81	37	616	279	375	170
RB610L 6/8	1 1/8	29	1 3/8	35	5/8	16	5/8	16	81	37	648	294	448	203
RB750L 6/8	1 1/8	29	1 3/8	35	5/8	16	5/8	16	81	37	658	298	446	202
RB900L 6/8	1 1/8	29	1 3/8	35	7/8	22	7/8	22	112	51	673	305	543	246
RB1000L 6/8	1 1/8	29	1 3/8	35	7/8	22	7/8	22	112	51	693	314	573	259
RB1500L 6/8	1 3/8	35	1 5/8	41	7/8	22	7/8	22	112	51	760	345	736	333
RB2000L 6/8	1 3/8	35	2 1/8	54	1 1/8	29	1 1/8	29	149	68	818	371	774	350
RB2500L 6/8	1 3/8	35	2 1/8	54	1 1/8	29	1 1/8	29	149	68	881	400	782	354
RB3000L 6/8	1 3/8	35	2 1/8	54	1 1/8	29	1 1/8	29	187	85	930	422	830	376

*** NOTE ON ALTERNATE REFRIGERANTS:**

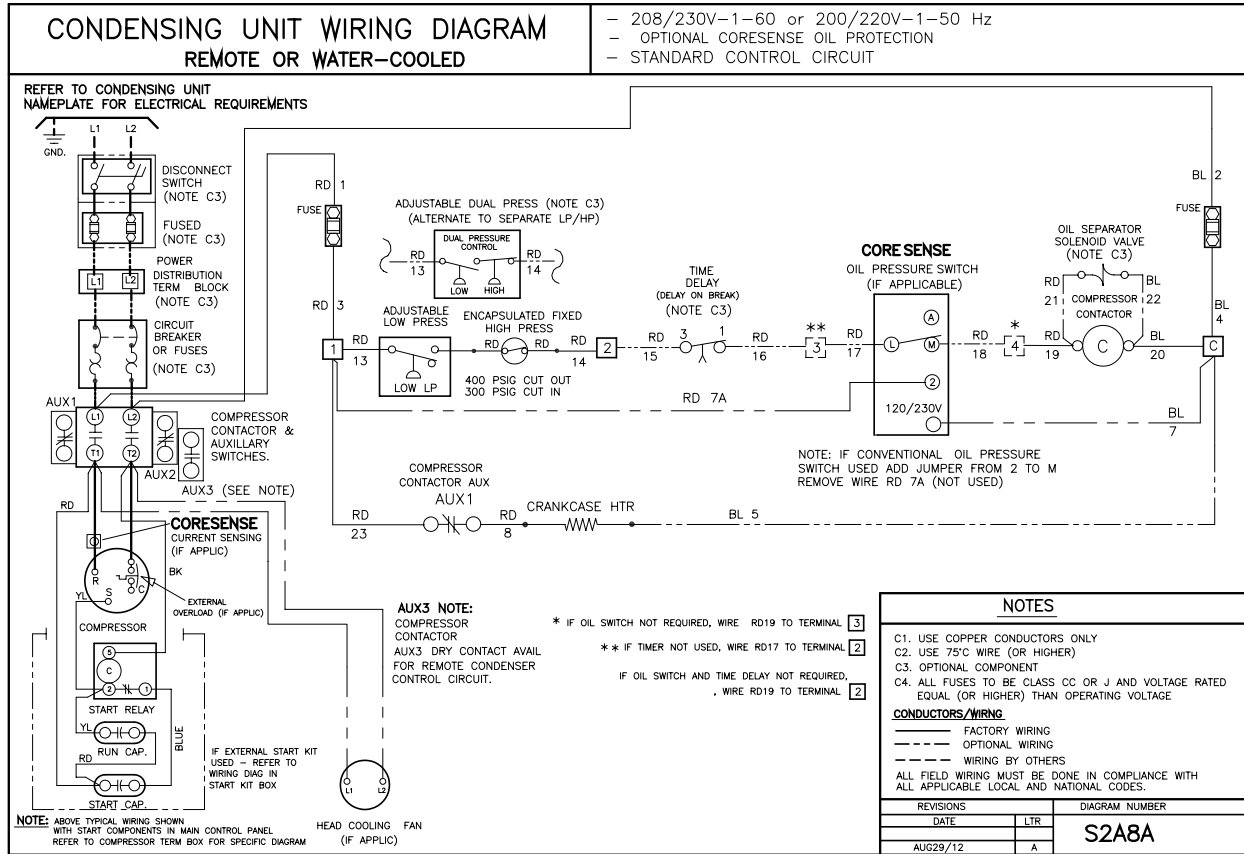
* PUBLISHED RECEIVER CAPACITY IS BASED ON **R404A** ON MODELS USING "8" AS REFRIGERANT CODE.
FOR ALTERNATE REFRIGERANTS, MULTIPLY **R404A** VALUE BY THE APPROPRIATE VALUE BELOW:

R407A	R407C	R507	R22
1.10	1.10	1.00	1.15

TYPICAL SYSTEM WIRING DIAGRAM

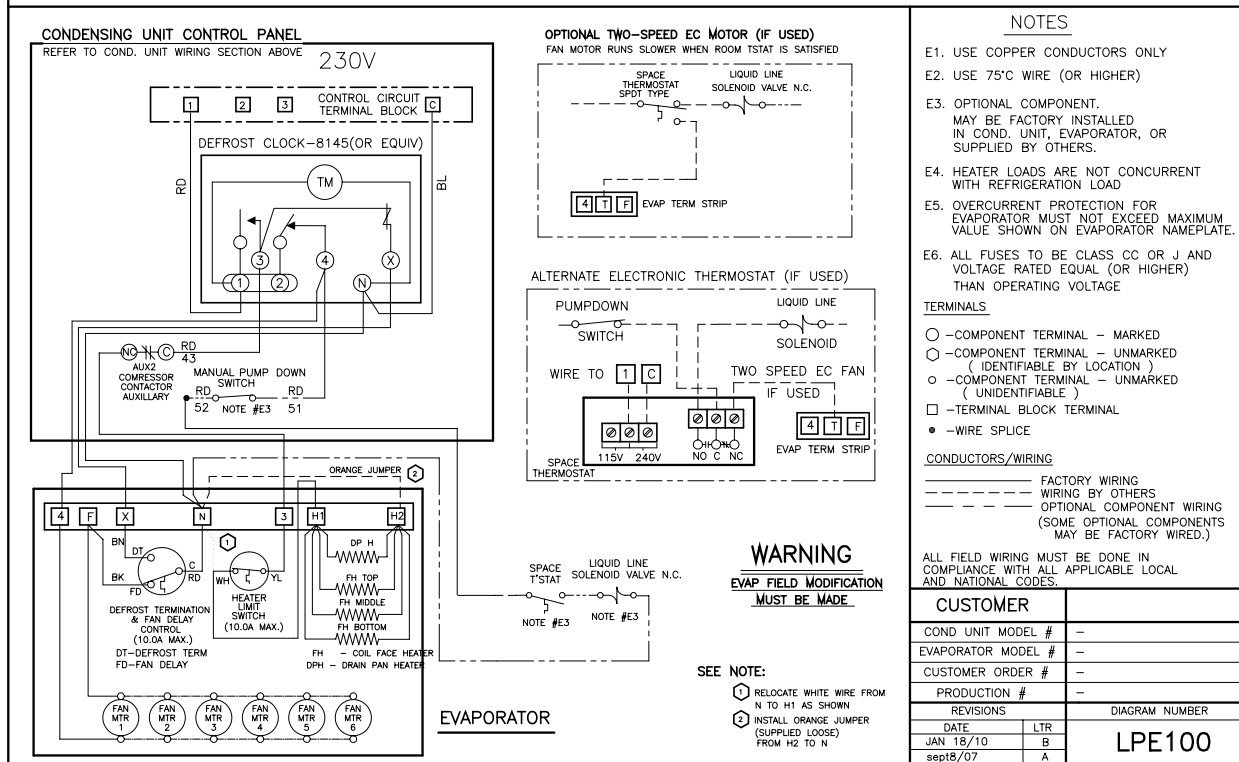
208-230/1/60 Unit

with Low Profile Electric Defrost Evaporator



TYPICAL EVAPORATOR WIRING: FOR SINGLE LOW PROFILE ELECT 1 PHASE DEFROST EVAPORATOR- SINGLE POINT

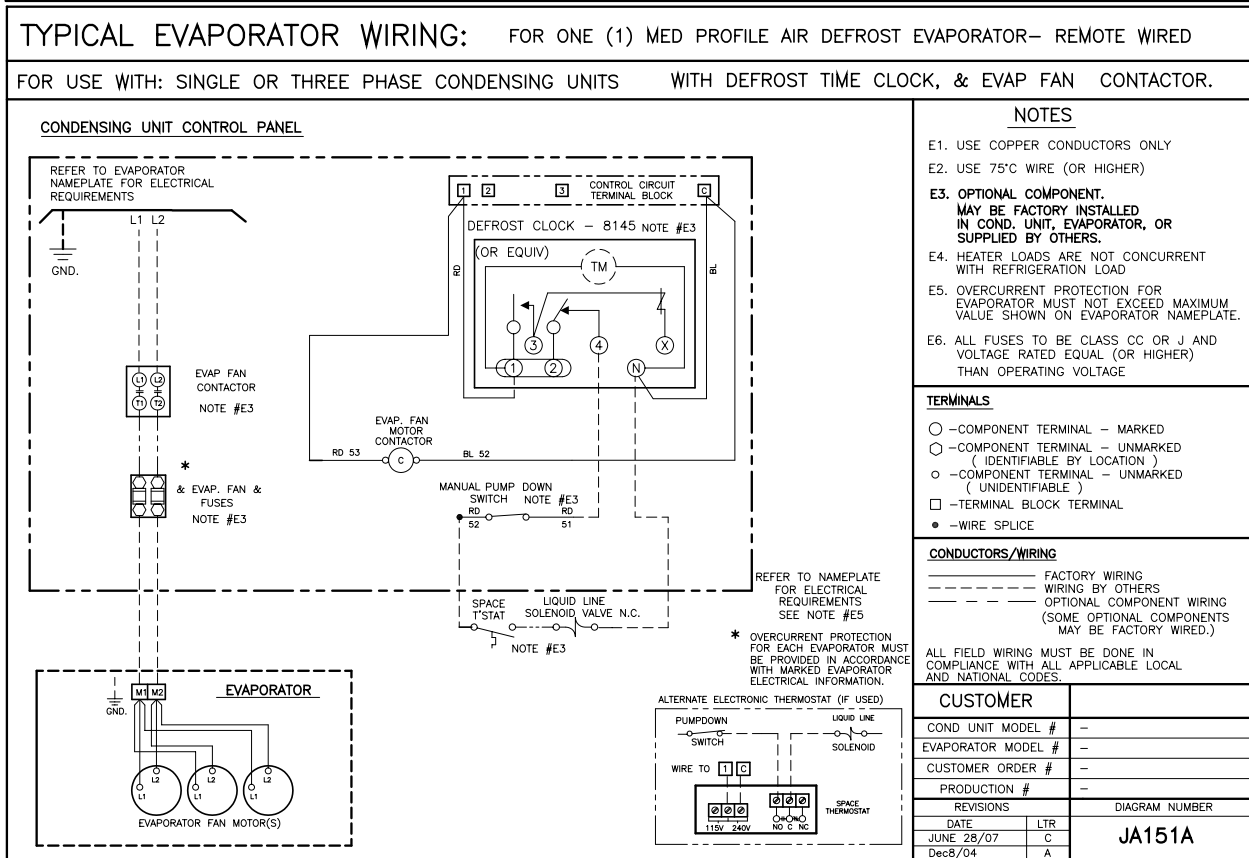
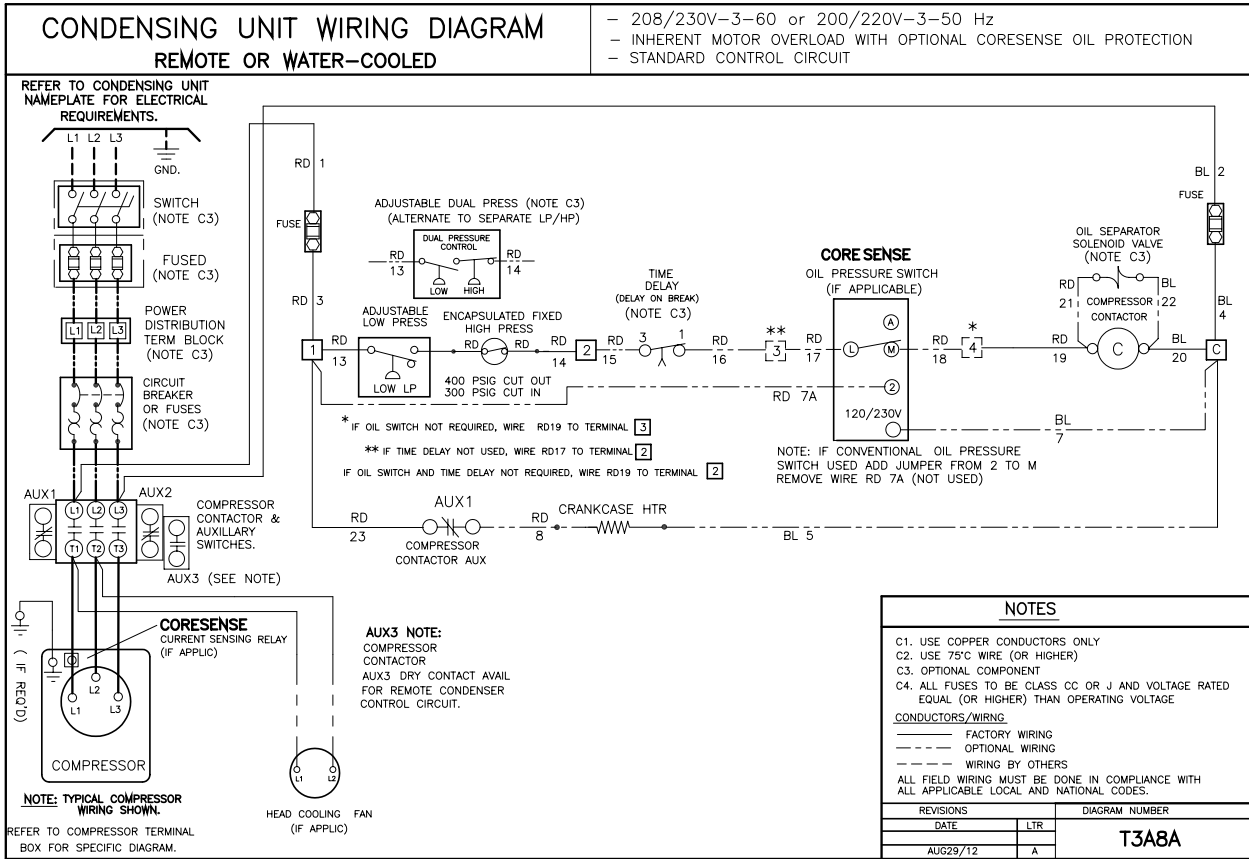
FOR USE WITH: 230V SINGLE OR THREE PHASE CONDENSING UNITS WITH DEFROST TIME CLOCK, WITHOUT DEFROST HEATER CONTACTOR MAX DEFROST HEATER AMPS 10A



TYPICAL SYSTEM WIRING DIAGRAM

208-230/3/60 Unit

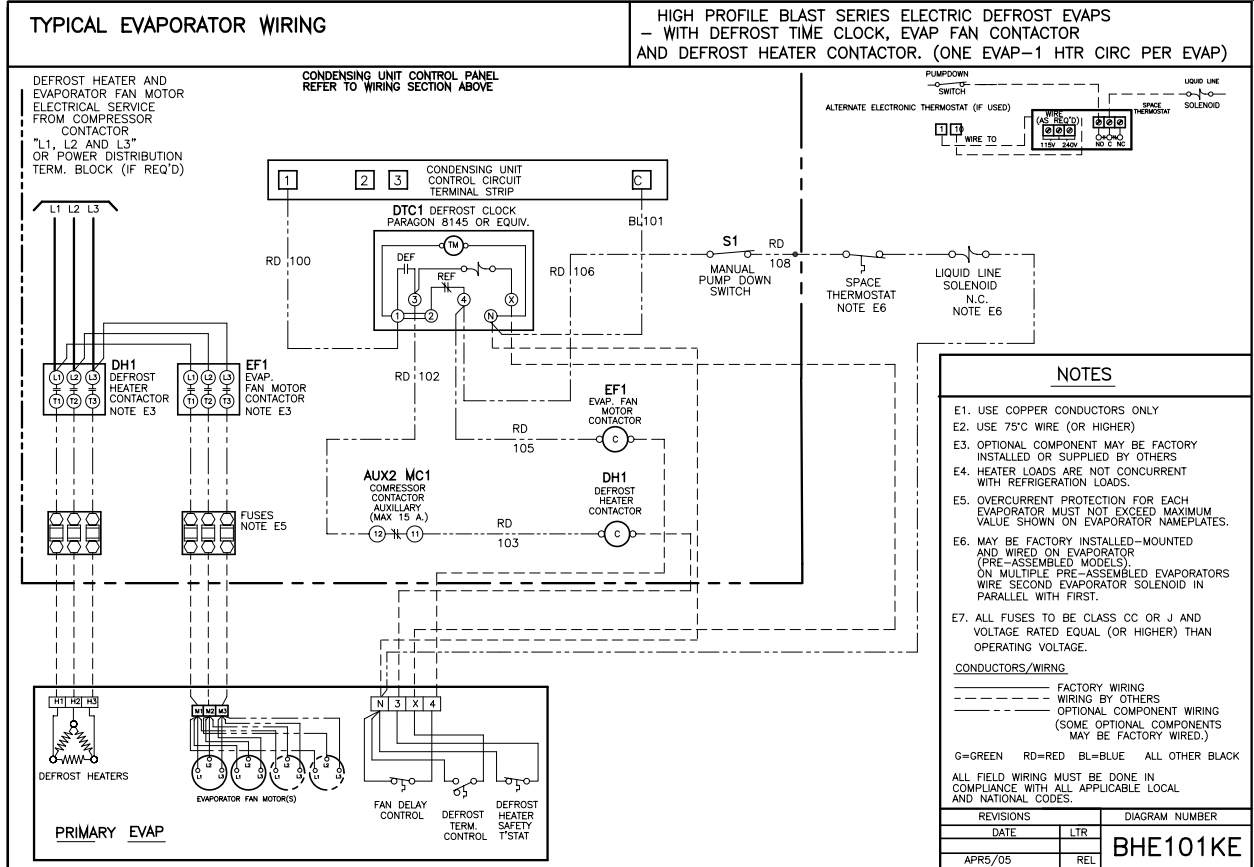
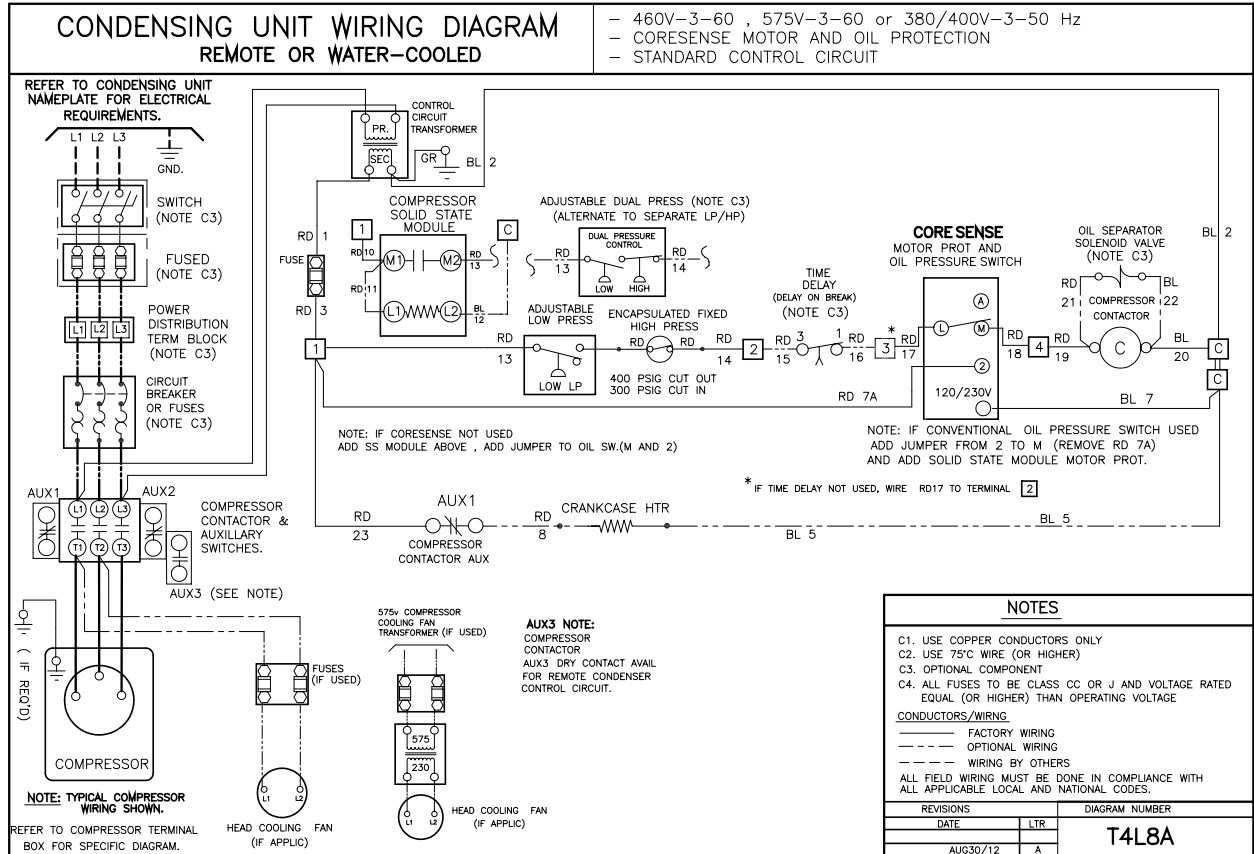
with Medium Profile Air Defrost Evaporator



TYPICAL SYSTEM WIRING DIAGRAM

460/3/60 or 575/3/60 Unit

with High Profile Electric Defrost Evaporator



FINISHED GOODS WARRANTY

The terms and conditions as described below in the General Warranty Policy cover all products manufactured by National Refrigeration.

GENERAL WARRANTY POLICY

Subject to the terms and conditions hereof, the Company warrants all Products, including Service Parts, manufactured by the Company to be free of defects in material or workmanship, under normal use and application for a period of one (1) year from the original date of installation, or eighteen (18) months from the date of shipment from the Company, whichever occurs first. Any replacement part(s) so supplied will be warranted for the balance of the product's original warranty. The part(s) to be replaced must be made available in exchange for the replacement part(s) and reasonable proof of the original installation date of the product must be presented in order to establish the effective date of the warranty, failing which, the effective date will be based upon the date of manufacture plus thirty (30) days. Any labour, material, refrigerant, transportation, freight or other charges incurred in connection with the performance of this warranty will be the responsibility of the owner at the current rates and prices then in effect. This warranty may be transferred to a subsequent owner of the product.

THIS WARRANTY DOES NOT COVER

(a) Damages caused by accident, abuse, negligence, misuse, riot, fire, flood, or Acts of God (b) damages caused by operating the product in a corrosive atmosphere (c) damages caused by any unauthorized alteration or repair of the system affecting the product's reliability or performance (d) damages caused by improper matching or application of the product or the product's components (e) damages caused by failing to provide routine and proper maintenance or service to the product (f) expenses incurred for the erecting, disconnecting, or dismantling the product (g) parts used in connection with normal maintenance, such as filters or belts (h) products no longer at the site of the original installation (i) products installed or operated other than in accordance with the printed instructions, with the local installation or building codes and with good trade practices (j) products lost or stolen.

No one is authorized to change this WARRANTY or to create for or on behalf of the Company any other obligation or liability in connection with the Product(s). There is no other representation, warranty or condition in any respect, expressed or implied, made by or binding upon the Company other than the above or as provided by provincial or state law and which cannot be limited or excluded by such law, nor will we be liable in any way for incidental, consequential, or special damages however caused.

The provisions of this additional written warranty are in addition to and not a modification of or subtraction from the statutory warranties and other rights and remedies provided by Federal, Provincial or State laws.

PROJECT INFORMATION

System	
Model Number	Date of Start-Up
Serial Number	Service Contractor
Refrigerant	Phone
Electrical Supply	Fax

SERVICE PARTS

FOR SERVICE PARTS LOOK-UP:

http://www.ballyrefboxes.com/Bally_Parts/Bally_parts.asp

email: parts@b-rp.ca

call: 1-844-893-3222 x501



General Sales, Parts & Service, Manufacturing & Engineering
135 Little Nine Drive, Morehead City, NC 28557
252-240-2829 • 1-800-24-BALLY • FAX: 252-240-0384
e-mail: ballysales@ballyrefboxes.com • www.ballyrefboxes.com

*Due to Manufacturer's policy of continuous product improvement,
the Manufacturer reserves the right to make changes without notice.*



DISTRIBUTED BY: _____